



US00D942788S

(12) **United States Design Patent**
Everson et al.

(10) **Patent No.:** **US D942,788 S**
(45) **Date of Patent:** **** Feb. 8, 2022**

(54) **DINING CHAIR**
(71) Applicant: **Ashley Furniture Industries, Inc.**,
Arcadia, WI (US)
(72) Inventors: **Terry Everson**, Blair, WI (US); **Randy Domack**, Holmen, WI (US); **Craig Bacon**, Trempealeau, WI (US)
(73) Assignee: **ASHLEY FURNITURE INDUSTRIES, INC.**, Arcadia, WI (US)

D340,364 S * 10/1993 Caldwell D6/370
D353,720 S * 12/1994 Ward D6/370
D396,759 S * 8/1998 Duenkelsbuehler D6/370
D433,576 S * 11/2000 Hutton D6/370
D460,645 S * 7/2002 Sabo D6/380
D466,321 S * 12/2002 Garfunkle D6/379
D511,420 S * 11/2005 Haralson D6/370
D540,058 S * 4/2007 Everson D6/379
D617,108 S * 6/2010 Niermeyer D6/370
D649,375 S * 11/2011 Lin D6/380
D734,622 S * 7/2015 Burden D6/380

(Continued)

(**) Term: **15 Years**

(21) Appl. No.: **29/709,553**

(22) Filed: **Oct. 15, 2019**

Related U.S. Application Data

(63) Continuation of application No. 29/659,941, filed on Aug. 14, 2018, now Pat. No. Des. 862,955, which is a continuation of application No. 29/600,169, filed on Apr. 10, 2017, now Pat. No. Des. 825,218.

(51) **LOC (13) Cl.** **06-01**

(52) **U.S. Cl.**
USPC **D6/716; D6/380**

(58) **Field of Classification Search**

USPC D6/334-336, 370, 371, 372, 373, 374, D6/376, 379, 380, 716, 716.1, 716.2, D6/716.3, 716.4
CPC A47C 3/04; A47C 4/02; A47C 4/03; A47C 4/028; A47C 7/16; A47C 7/18; A47C 7/24; A47C 4/024; A47C 5/04; A47C 5/08; A47C 5/12; A47C 9/007

See application file for complete search history.

(56) **References Cited**

U.S. PATENT DOCUMENTS

D102,695 S * 1/1937 McLellan D6/370
D102,978 S * 2/1937 Baum D6/370

OTHER PUBLICATIONS

Solid Wood Cross Back Side Chair (Set of 2), from wayfair.com, Retrieved Date: Sep. 21, 2021, p. 1, from <https://www.wayfair.com/furniture/pdp/august-grove-solid-wood-cross-back-side-chair-w004997968.html?piid=1523155751> (Year: 2021).*

Primary Examiner — Mimosa De

(74) *Attorney, Agent, or Firm* — McAndrews, Held & Malloy, Ltd.

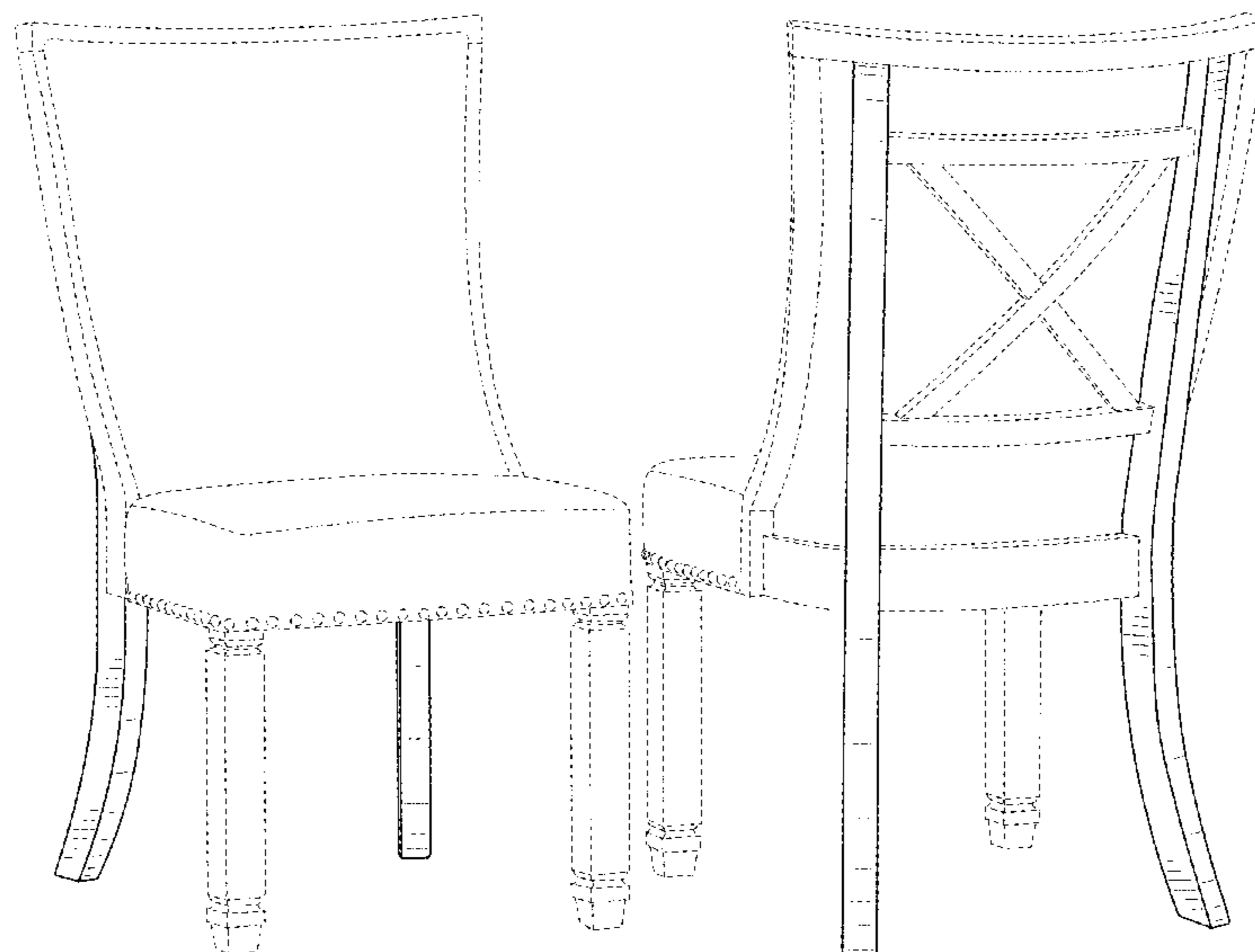
(57) **CLAIM**

The ornamental design for a dining chair, as shown and described.

DESCRIPTION

FIG. 1 is a front perspective view of a dining chair showing our new design;
FIG. 2 is a rear perspective view thereof;
FIG. 3 is a front elevation view thereof;
FIG. 4 is a rear elevation view thereof;
FIG. 5 is a right side elevation view thereof, the left side elevation view being a mirror image thereof; and,
FIG. 6 is a top plan view thereof.
The dashed broken lines in the figures illustrate portions of the dining chair that form no part of the claimed design. Views of the dining chair that are not shown in the figures form no part of the claimed design.

1 Claim, 6 Drawing Sheets



(56)

References Cited

U.S. PATENT DOCUMENTS

D737,590 S *	9/2015	Burden	D6/380
D784,038 S *	4/2017	Pectol	D6/380
D825,218 S *	8/2018	Everson	D6/380
D862,955 S *	10/2019	Everson	D6/716
D929,144 S *	8/2021	Ji	D6/379
D929,145 S *	8/2021	Ji	D6/380

* cited by examiner

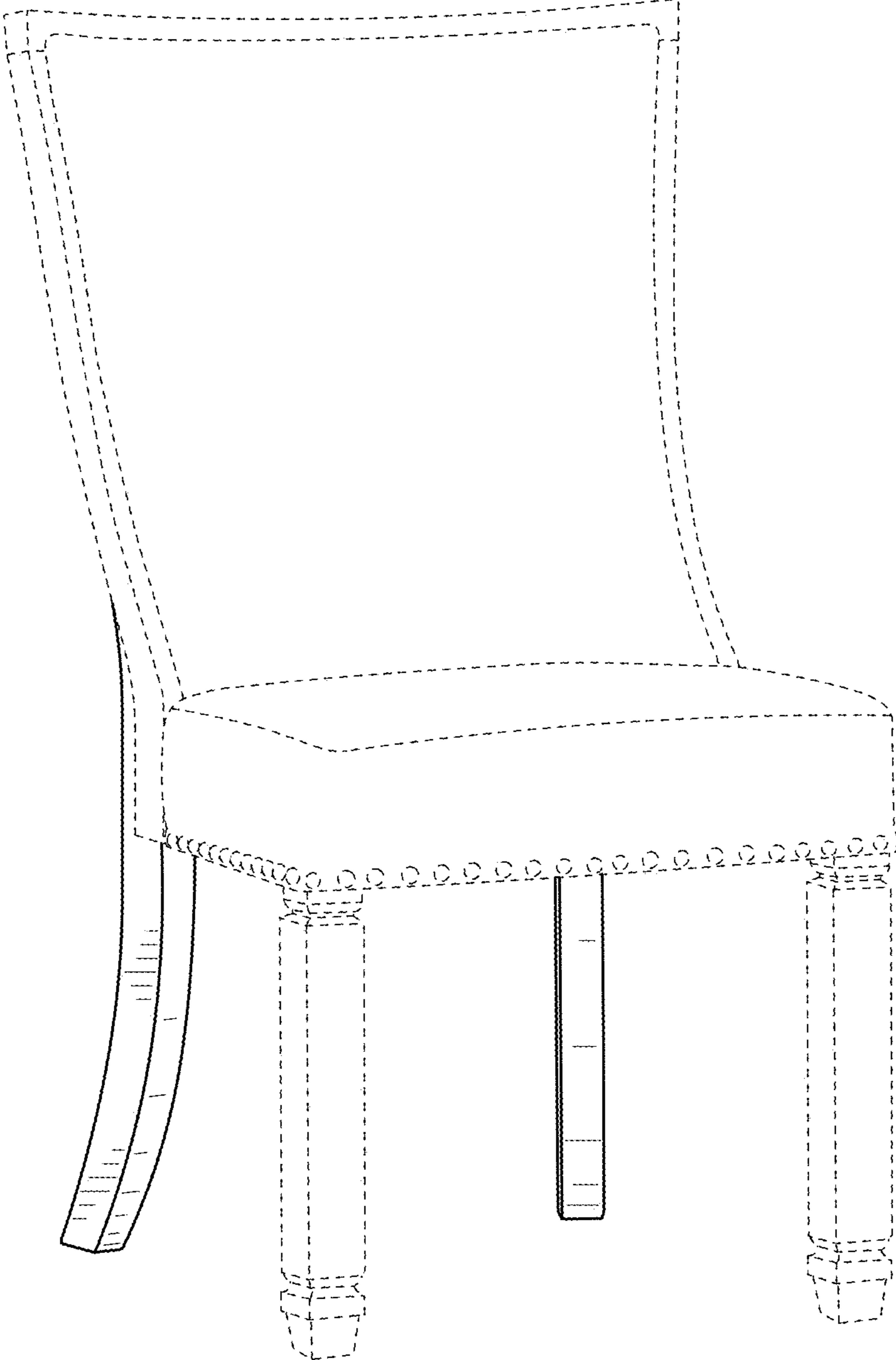


FIG. 1

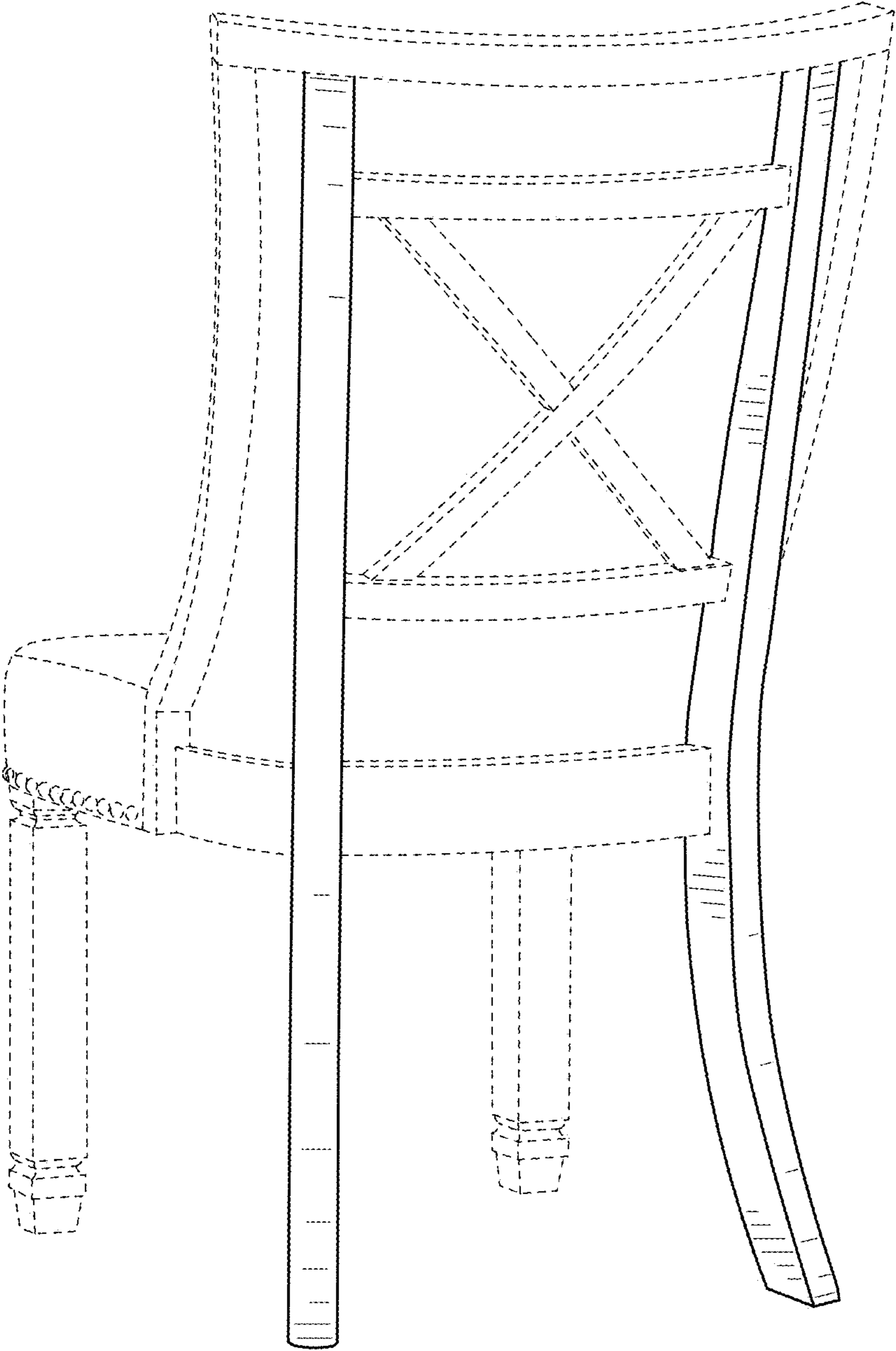


FIG. 2

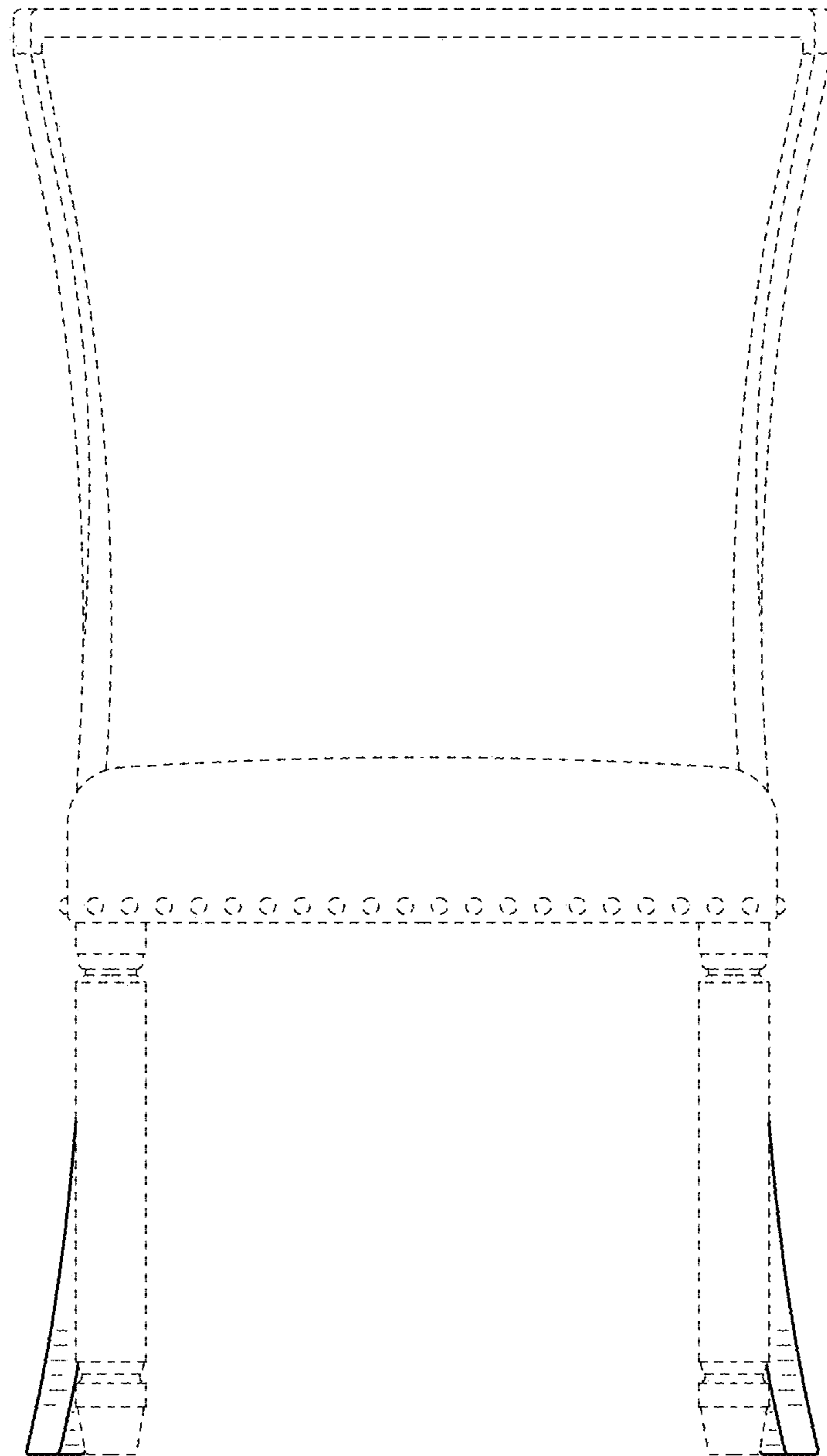


FIG. 3

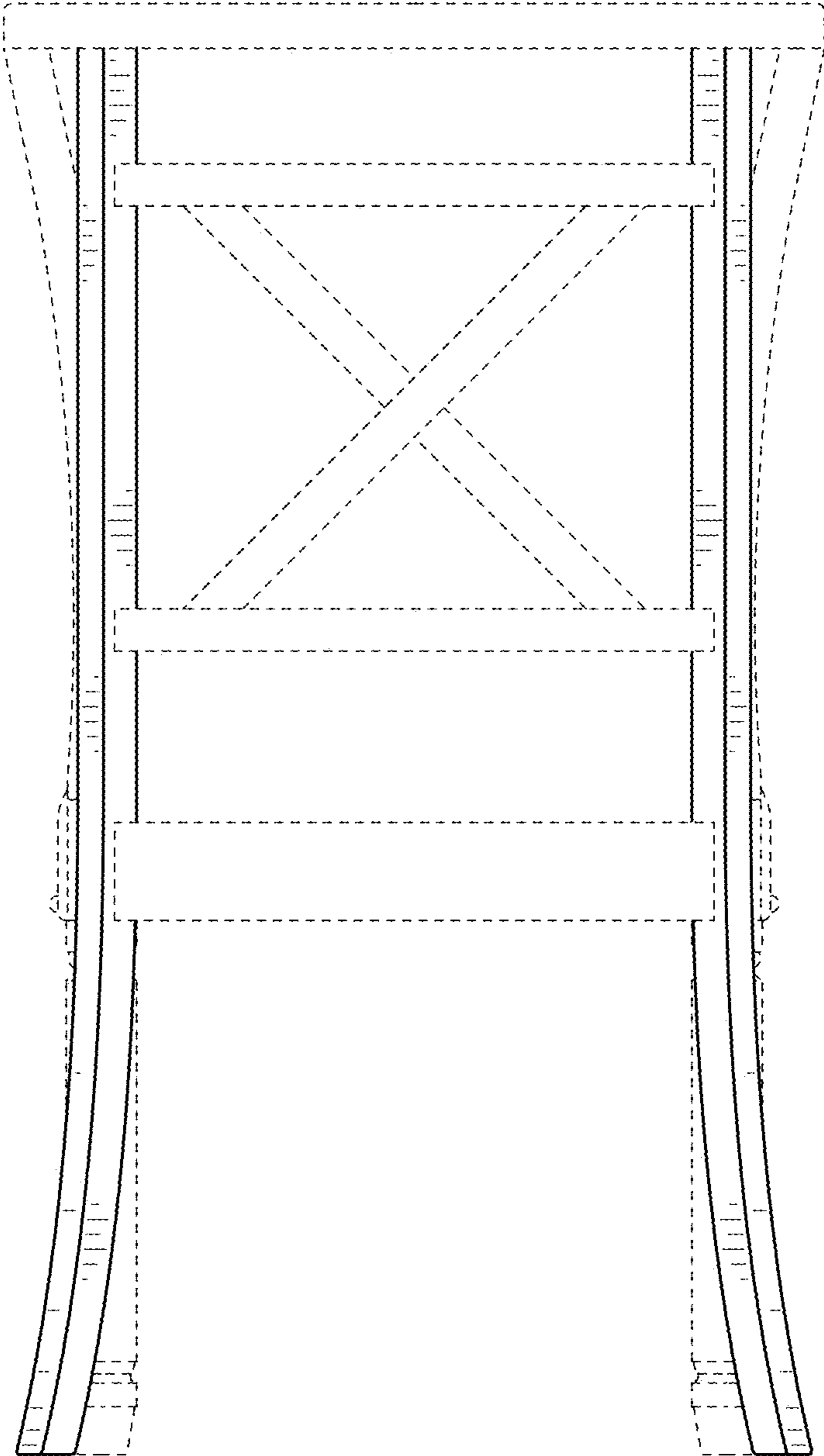


FIG. 4

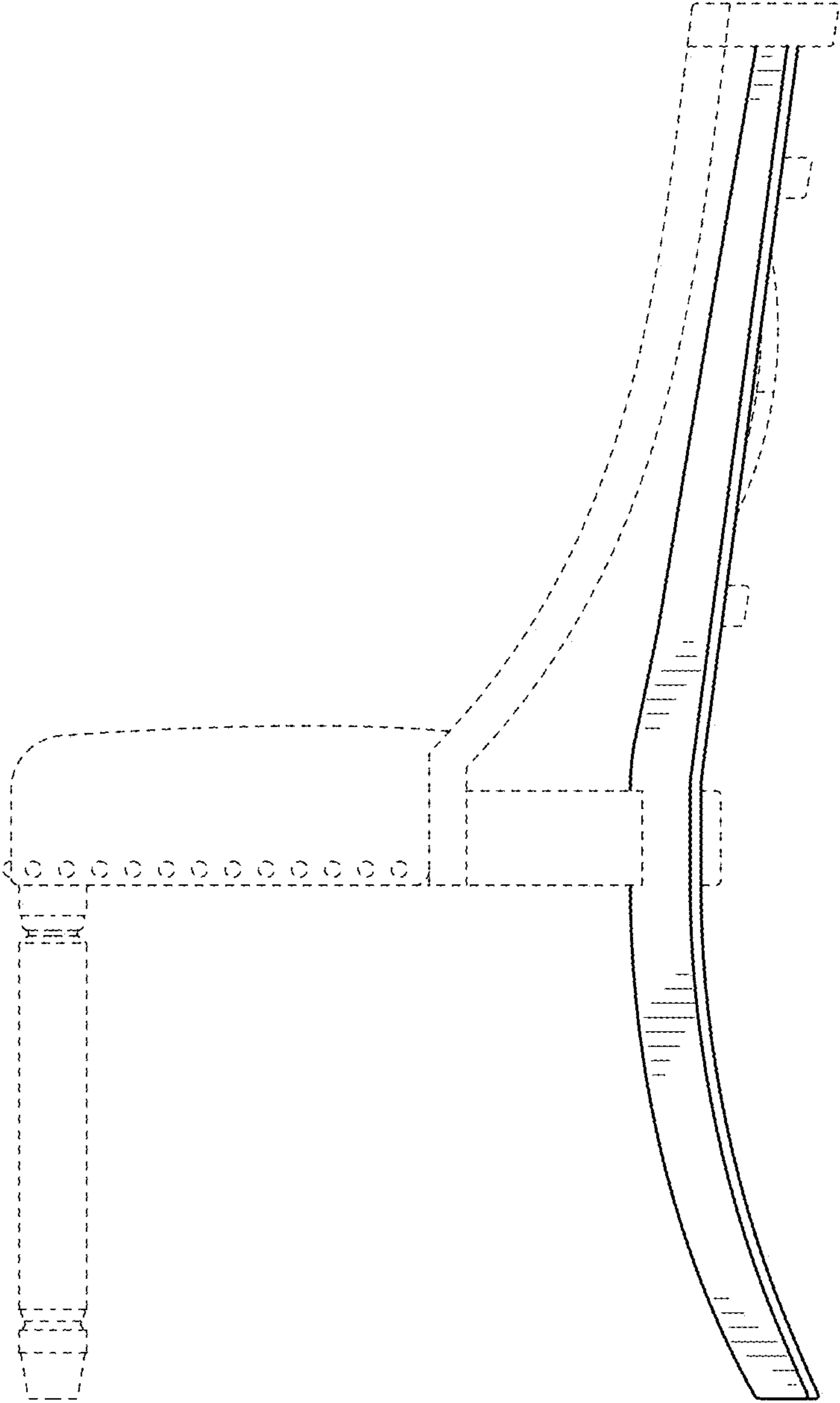


FIG. 5

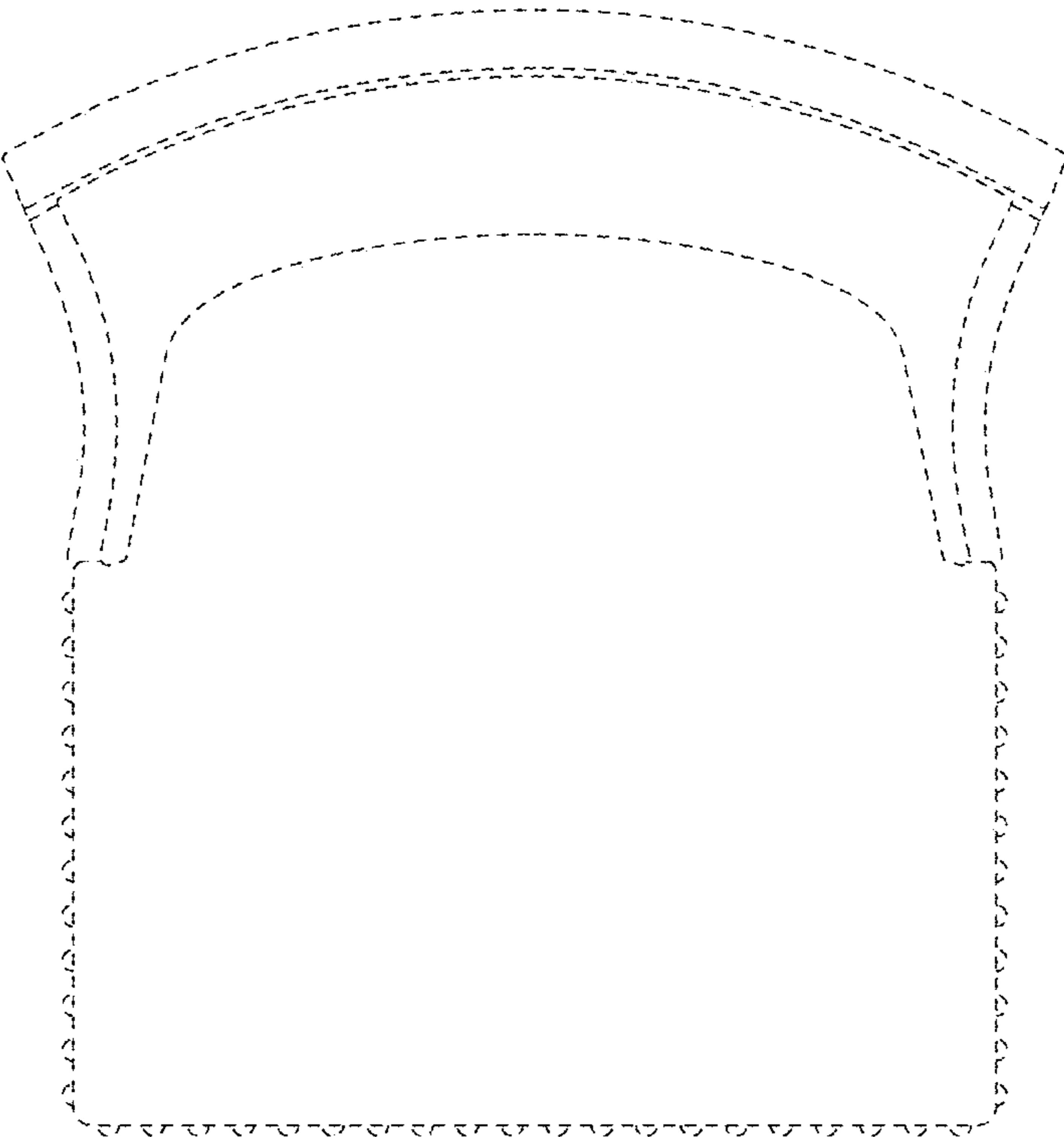


FIG. 6