



US00D942787S

(12) **United States Design Patent** (10) **Patent No.:** **US D942,787 S**
Rollins et al. (45) **Date of Patent:** **** Feb. 8, 2022**

(54) **SHELF STOP WALL**

FOREIGN PATENT DOCUMENTS

(71) Applicant: **Nashville Wire Products Manufacturing Company, LLC**,
Nashville, TN (US)

EP 761134 A1 3/1997
WO 2008029019 A1 3/2008

(72) Inventors: **Phillip Kent Rollins**, Nashville, TN (US); **Randall Louis Berg**,
Murfreesboro, TN (US)

OTHER PUBLICATIONS

Ex. B—Nashville Wire Products—Perforated Decking—brochure (1 page) (2015).
Ex. E—DACS Punch Desk—brochure (4 pages) (2006).

(73) Assignee: **Nashville Wire Products Manufacturing Company, LLC**,
Nashville, TN (US)

Primary Examiner — Steven J Czyz
(74) *Attorney, Agent, or Firm* — Lucian Wayne Beavers;
Patterson Intellectual Property Law, PC

(**) Term: **15 Years**

(21) Appl. No.: **29/692,169**

(57) **CLAIM**

(22) Filed: **May 23, 2019**

The ornamental design for a shelf stop wall, as shown and described.

Related U.S. Application Data

(63) Continuation of application No. 15/939,370, filed on Mar. 29, 2018, now Pat. No. 10,377,569.

(51) **LOC (13) Cl.** **06-06**

(52) **U.S. Cl.**
USPC **D6/702**

(58) **Field of Classification Search**
USPC D6/702, 706, 717; D8/349, 354, 373, D8/374, 382, 383, 394; D25/119, 121, D25/123, 125
CPC A47B 2220/00; A47B 2220/0036; A47B 2220/0038; A47B 2220/0041; A47B 2220/0044; A47B 2220/0061; A47B 2220/02; A47B 2230/01; A47B 2230/16
See application file for complete search history.

DESCRIPTION

FIG. 1 is a front top perspective view showing the shelf stop wall of Applicants' invention.
FIG. 2 is a rear bottom perspective view of the shelf stop wall of FIG. 1.
FIG. 3 is a front elevation of the shelf stop wall of FIG. 1.
FIG. 4 is a top plan view of the shelf stop wall of FIG. 1.
FIG. 5 is a bottom plan view of the shelf stop wall of FIG. 1.
FIG. 6 is a right side elevation of the shelf stop wall of FIG. 1, the left side elevation view being an identical mirror image thereto; and,
FIG. 7 is a rear elevation of the shelf stop wall of FIG. 1.
The broken lines in the figures are used to represent subject matter that forms no part of the claimed design.
Where the figures show the article broken away, the break lines are understood to indicate unclaimed length, and any portion of the article between the break lines forms no part of the claimed design.

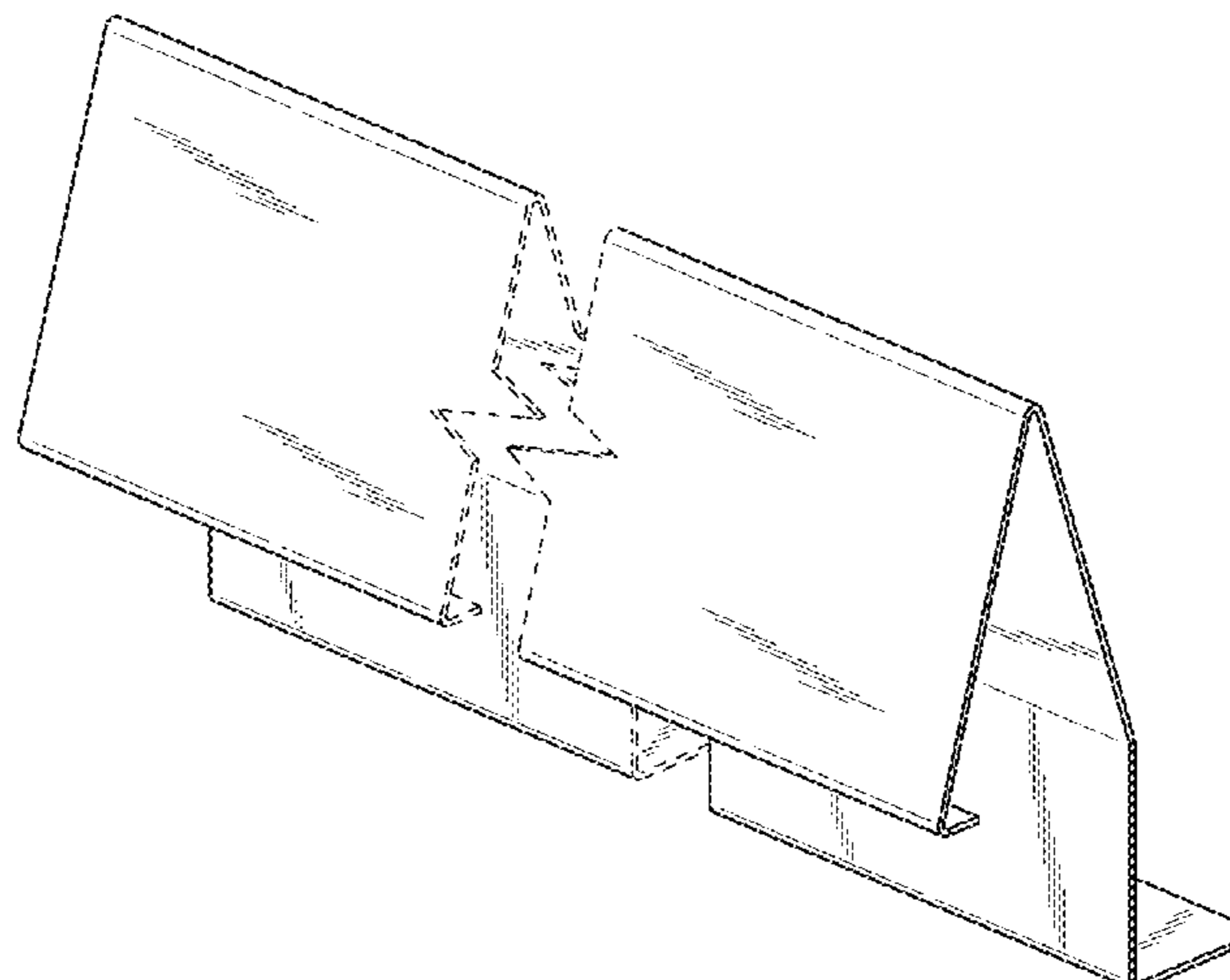
(56) **References Cited**

U.S. PATENT DOCUMENTS

D26,742 S * 3/1897 Caldwell et al. D12/51
1,409,092 A 3/1922 Goldfield
D110,436 S * 7/1938 Lowry et al. D25/125
2,381,608 A 8/1945 Leyerle

(Continued)

1 Claim, 3 Drawing Sheets



(56)

References Cited

- U.S. PATENT DOCUMENTS
- D162,842 S * 4/1951 Klein et al. D25/119
D200,632 S * 3/1965 O'Keeffe et al. D25/119
3,196,812 A 7/1965 Jacques
3,241,284 A * 3/1966 Gregoire E04D 3/352
52/588.1
- 3,323,656 A 6/1967 Weiss et al.
D209,071 S * 10/1967 Koch et al. D34/29
D219,808 S * 2/1971 Crowley et al. D25/125
D221,529 S * 8/1971 Kimmel et al. D25/119
D221,531 S * 8/1971 Kimmel et al. D25/119
D227,981 S * 7/1973 La Borde et al. D25/119
D228,992 S * 11/1973 Ramsey et al. D6/513
3,814,034 A 6/1974 Seiz
D236,202 S * 8/1975 Starck et al. D8/377
3,900,112 A 8/1975 Azzi
D237,103 S * 10/1975 Fisher et al. D25/119
D237,485 S * 11/1975 Lundberg et al. D25/124
3,986,616 A 10/1976 Gray
4,078,664 A 3/1978 McConnell
D248,327 S * 6/1978 South D25/119
D251,391 S * 3/1979 Bancroft D25/125
D251,447 S * 3/1979 Bancroft D25/125
D251,448 S * 3/1979 Bancroft D25/119
D251,504 S * 4/1979 Bancroft D25/119
D252,471 S * 7/1979 Broadbent D12/400
D258,538 S * 3/1981 Cribben D25/125
D265,625 S * 8/1982 Buck D8/354
D267,776 S * 2/1983 Holgersson D25/121
4,372,451 A 2/1983 Rasmussen et al.
4,496,037 A 1/1985 Spamer
4,519,508 A 5/1985 Gullett et al.
D283,295 S * 4/1986 Bancroft D25/119
D283,352 S * 4/1986 Bancroft D25/119
D284,435 S * 7/1986 Zelenko D6/512
4,606,147 A * 8/1986 DeWitt E06B 7/231
49/434
- 4,606,280 A * 8/1986 Poulton A47F 5/0068
108/152
- D286,078 S * 10/1986 Bancroft D25/119
D286,186 S * 10/1986 Bancroft D25/125
D286,188 S * 10/1986 Bancroft D25/125
D286,195 S * 10/1986 Bancroft D25/125
D286,196 S * 10/1986 Bancroft D25/119
D286,199 S * 10/1986 Bancroft D25/119
D286,200 S * 10/1986 Bancroft D25/119
D286,743 S * 11/1986 Cohen D8/394
D288,282 S * 2/1987 Sheets D8/373
D289,202 S * 4/1987 Hardy D25/119
D293,719 S * 1/1988 Stepanian D25/125
D295,521 S * 5/1988 Mockett D13/155
D297,112 S * 8/1988 Holdaway D8/373
D298,738 S * 11/1988 Rumpel D8/371
D300,564 S * 4/1989 Meshulam D25/119
D300,565 S * 4/1989 Meshulam D25/119
D300,698 S * 4/1989 Price D25/119
D304,921 S * 12/1989 Castagna D12/190
4,923,070 A 5/1990 Jackle et al.
D312,599 S * 12/1990 Johnston D12/15
D317,558 S * 6/1991 Daigle D8/354
D320,089 S * 9/1991 Boer D25/119
5,121,681 A 6/1992 Chang
D330,772 S * 11/1992 Nelson D25/119
5,160,051 A 11/1992 Bustos
5,181,623 A 1/1993 Linden et al.
D335,711 S * 5/1993 Cole D25/124
D340,110 S * 10/1993 Reed D23/386
D341,078 S * 11/1993 Saavedra D8/395
D341,508 S * 11/1993 Cooper D25/119
D342,579 S * 12/1993 Mason D25/119
D343,005 S * 1/1994 Moss D25/119
D344,423 S * 2/1994 Pate D25/119
D344,424 S * 2/1994 Pate D25/119
D344,595 S * 2/1994 Ehmke D25/119
D345,268 S * 3/1994 Pate D25/119
D345,808 S * 4/1994 Bancroft D25/119
- 5,317,977 A * 6/1994 Omessi A47B 17/033
108/108
- D352,963 S * 11/1994 Siler D19/65
5,383,409 A 1/1995 Hayakawa
D356,488 S * 3/1995 Gehiere D8/354
D361,138 S * 8/1995 Moore D25/119
D362,730 S * 9/1995 Schrader D25/124
D362,917 S * 10/1995 Hosseini D25/124
D366,410 S * 1/1996 Schlabach D25/121
5,489,031 A 2/1996 Carroll
D368,969 S * 4/1996 Davies D25/119
D371,210 S * 6/1996 De Zen D25/124
D375,175 S * 10/1996 DiGiorgio D25/124
D375,270 S * 11/1996 Nagai D10/85
5,577,623 A 11/1996 Bustos
D377,505 S * 1/1997 Thompson D20/43
D388,182 S * 12/1997 Payton D25/121
5,718,441 A 2/1998 Kern et al.
5,769,249 A 6/1998 Lascara
5,816,173 A 10/1998 Warneford
D402,058 S * 12/1998 Leonelli D25/124
D402,062 S * 12/1998 Leonelli D25/125
D402,534 S * 12/1998 McCoy D8/354
D405,544 S * 2/1999 Magnusson D25/121
D407,831 S * 4/1999 Gifford D25/136
D408,558 S * 4/1999 Levy D25/119
D408,559 S * 4/1999 Rekret D25/119
D408,931 S * 4/1999 Ito D25/119
D409,314 S * 5/1999 Ito D25/119
D410,192 S * 5/1999 Giese D8/354
6,039,192 A 3/2000 Hollander
D423,690 S * 4/2000 Grosfillex D25/119
6,047,502 A * 4/2000 Kimmitt E04D 13/076
52/11
- 6,050,428 A 4/2000 Hollander
D431,182 S * 9/2000 Szukhent, Jr. D25/125
D432,671 S * 10/2000 Grosfillex D25/119
D432,673 S * 10/2000 Grosfillex D25/124
6,132,158 A 10/2000 Pfeiffer et al.
D434,160 S * 11/2000 DeBlock D25/125
D435,120 S * 12/2000 Bevan D25/119
6,173,658 B1 1/2001 Moberg
D437,546 S * 2/2001 McElroy, Jr. D8/380
D438,778 S * 3/2001 Ribe D8/354
D439,329 S * 3/2001 Grosfillex D25/124
D447,820 S * 9/2001 Grace D25/119
6,290,077 B2 9/2001 Sosso
D449,699 S * 10/2001 Gabriele D25/124
D452,016 S * 12/2001 Hall D25/121
6,341,458 B1 * 1/2002 Burt E04F 13/0864
52/287.1
- D454,962 S * 3/2002 Grace D25/119
6,401,944 B1 6/2002 Kircher et al.
D459,981 S * 7/2002 Betts D25/119
D462,601 S * 9/2002 Chaney D25/119
D468,812 S * 1/2003 Doyle D23/267
6,505,448 B2 * 1/2003 Ito E04F 13/0803
52/302.1
- D471,788 S * 3/2003 Gebara D8/354
D472,456 S * 4/2003 Snyder D8/353
D473,662 S * 4/2003 Shaw D25/119
D479,008 S * 8/2003 Krieger D25/121
D480,483 S * 10/2003 Eichner D25/119
D481,293 S * 10/2003 Ayrest D8/331
D481,619 S * 11/2003 Hightower D8/382
D481,804 S * 11/2003 Pelfrey D25/119
D481,932 S * 11/2003 Bess D25/141
D485,916 S * 1/2004 Park D25/119
D486,247 S * 2/2004 Eichner D25/119
D489,210 S * 5/2004 Goldberg D25/119
D489,463 S * 5/2004 Barnett D25/119
D489,465 S * 5/2004 Allsopp D25/119
D490,167 S * 5/2004 Eichner D25/119
D494,284 S * 8/2004 Wenrick D25/119
D497,434 S * 10/2004 Brabeck D25/119
6,799,689 B2 10/2004 Langtry
6,829,865 B2 * 12/2004 Smith E06B 1/342
52/204.53
- 6,871,747 B2 3/2005 Bustos

(56)

References Cited

U.S. PATENT DOCUMENTS

D507,131	S *	7/2005	Pingel	D6/699.5	D758,835	S *	6/2016	Glancy	D8/382
D507,353	S *	7/2005	Rasmussen	D25/119	D760,066	S *	6/2016	Krenek	D8/354
D507,354	S *	7/2005	Parkin	D25/119	9,375,102	B2	6/2016	Troyner et al.	
D507,665	S *	7/2005	Ryan	D25/119	D762,105	S *	7/2016	Prevost	D8/349
D508,176	S *	8/2005	Schulman	D6/702	9,386,855	B2	7/2016	Sabounjian	
6,959,512	B2 *	11/2005	Cobb	E04D 13/0481 219/213	D762,455	S *	8/2016	Partridge	D8/349
D518,186	S *	3/2006	Zarb	D25/119	D765,492	S *	9/2016	Akers	D8/354
D523,565	S *	6/2006	Antonic	D25/119	D765,883	S *	9/2016	Jaimes	D25/126
D527,114	S *	8/2006	Hamill	D25/124	D767,169	S *	9/2016	Hatch	D25/136
D534,790	S *	1/2007	Garda	D8/377	D767,381	S *	9/2016	Libreiro	D8/382
7,156,243	B2	1/2007	Henning et al.		D767,382	S *	9/2016	Libreiro	D8/382
D543,096	S *	5/2007	Heindl	D8/382	D767,785	S *	9/2016	Smith	D25/119
D548,668	S *	8/2007	Walton	D12/317	D767,786	S *	9/2016	Smith	D25/119
D549,851	S *	8/2007	Antonic	D25/119	D767,794	S *	9/2016	Libreiro	D25/125
D552,259	S *	10/2007	Allsopp	D25/119	D768,881	S *	10/2016	Mumford, Sr.	D25/119
D554,774	S *	11/2007	Antonic	D25/119	D768,882	S *	10/2016	Mumford, Sr.	D25/119
D554,775	S *	11/2007	Antonic	D25/119	D769,460	S *	10/2016	Mumford, Sr.	D25/119
D557,112	S *	12/2007	Franssen	D8/349	D769,462	S *	10/2016	Mumford, Sr.	D25/119
D557,429	S *	12/2007	Bullock, Jr	D25/119	D772,432	S *	11/2016	West	E04D 13/00 D25/119
D573,266	S *	7/2008	Chefren	D25/119	D772,433	S *	11/2016	Krause	D25/119
D573,267	S *	7/2008	Brinton	D25/119	D781,459	S *	3/2017	Krause	D25/119
D573,268	S *	7/2008	Lundsgaard	D25/119	D781,460	S *	3/2017	Krause	D25/119
D574,970	S *	8/2008	Taylor	D25/121	D782,706	S *	3/2017	Geldart	D25/119
D579,584	S *	10/2008	Chaney	D25/124	D782,707	S *	3/2017	Krause	D25/119
D582,570	S *	12/2008	Hull	D25/124	9,631,369	B2 *	4/2017	Cullen	E04D 13/076
D587,819	S *	3/2009	Ryan	D25/119	D787,091	S *	5/2017	Singh	D25/119
D588,282	S *	3/2009	Chaney	D25/124	D787,709	S *	5/2017	Krause	D25/119
D595,069	S *	6/2009	Berry	D25/119	D790,077	S *	6/2017	Singh	D25/119
D597,742	S *	8/2009	Skinner	D25/119	D790,079	S *	6/2017	Singh	D25/119
D608,190	S *	1/2010	Jimenez	D8/395	D791,348	S *	7/2017	Singh	D25/119
D612,919	S *	3/2010	DeHart, Sr.	D23/267	D791,349	S *	7/2017	Singh	D25/119
D613,832	S *	4/2010	Bradbeer	D23/267	D791,350	S *	7/2017	Singh	D25/119
D615,848	S *	5/2010	Prichard	D8/354	D791,351	S *	7/2017	Singh	D25/119
D621,961	S *	8/2010	Gardner	D25/119	D791,354	S *	7/2017	Singh	D25/119
D623,767	S *	9/2010	Antonic	D25/119	D791,359	S *	7/2017	Singh	D25/119
D623,768	S *	9/2010	Antonic	D25/121	D791,361	S *	7/2017	Singh	D25/119
D624,206	S *	9/2010	Antonic	D25/119	D791,974	S *	7/2017	Nelson	D25/119
D625,844	S *	10/2010	Antonic	D25/121	D791,975	S *	7/2017	Nelson	D25/119
7,815,060	B2	10/2010	Iellimo		D791,976	S *	7/2017	Singh	D25/119
D647,635	S *	10/2011	Seehof	D25/125	D794,215	S *	8/2017	Reutlinger	D25/48.3
D649,686	S *	11/2011	Trzesniowski	D26/138	D794,423	S *	8/2017	Moon	D8/349
D649,689	S *	11/2011	Trzesniowski	D26/138	D794,833	S *	8/2017	Singh	D25/119
D649,690	S *	11/2011	Trzesniowski	D26/138	D800,343	S *	10/2017	Stanfill	D25/119
D649,693	S *	11/2011	Trzesniowski	D26/138	D809,674	S *	2/2018	Singh	D25/119
8,051,623	B2 *	11/2011	Loyd	E04F 13/144 52/747.1	D809,675	S *	2/2018	Singh	D25/119
D652,569	S *	1/2012	Trzesniowski	D26/138	D810,541	S *	2/2018	Amato	D8/301
D671,658	S *	11/2012	Geven	D25/124	D814,054	S *	3/2018	Ewoldt	D25/119
D672,063	S *	12/2012	Geven	D25/122	D814,055	S *	3/2018	Singh	D25/119
D674,219	S *	1/2013	Kim	D6/702	D814,059	S *	3/2018	Singh	D25/119
D674,221	S *	1/2013	Kim	D6/702	D814,062	S *	3/2018	Singh	D25/119
D679,417	S *	4/2013	Nolan	D25/119	D814,063	S *	3/2018	Singh	D25/119
D679,418	S *	4/2013	Nolan	D25/119	D817,518	S *	5/2018	Singh	D25/119
D679,419	S *	4/2013	Gori	D25/119	D821,000	S *	6/2018	Pennewell	D25/119
D681,428	S *	5/2013	Heindl	D8/382	D821,858	S *	7/2018	Bergelin	D8/382
8,443,992	B2	5/2013	Lawson et al.		D822,228	S *	7/2018	Wang	D25/119
D684,706	S *	6/2013	Nolan	E06B 1/62 D25/119	D824,045	S *	7/2018	Singh	D25/119
D685,503	S *	7/2013	Gardner	D25/119	D825,315	S *	8/2018	Inzeo	D8/349
D702,466	S *	4/2014	Kim	D6/702	D825,782	S *	8/2018	Inzeo	D25/119
D718,101	S *	11/2014	Mason	D8/14	D829,348	S *	9/2018	Hynek	D25/119
8,919,585	B2	12/2014	Trover		D831,464	S *	10/2018	Macdonald	D8/349
D723,909	S *	3/2015	McShane	D8/382	D831,856	S *	10/2018	Chan	D25/124
9,027,767	B2	5/2015	Buckley et al.		D832,688	S *	11/2018	Heindl	D8/382
D732,702	S *	6/2015	Gallien	D25/119	D833,650	S *	11/2018	Singh	D25/119
D733,926	S *	7/2015	Van Camp	D25/48.2	D834,397	S *	11/2018	Macdonald	D8/349
D739,709	S *	9/2015	Wright	D8/354	D834,398	S *	11/2018	Macdonald	D8/349
D745,192	S *	12/2015	Suciu	D25/119	D834,399	S *	11/2018	Macdonald	D8/349
D745,368	S *	12/2015	Lutze	D8/349	D834,400	S *	11/2018	Macdonald	D8/349
D750,807	S *	3/2016	Singh	D25/121	D834,729	S *	11/2018	Lee	D25/119
D751,024	S *	3/2016	Burhanidust	D12/223	10,190,318	B2 *	1/2019	Iannelli	E04D 13/072
D751,734	S *	3/2016	Allen	D25/125	D841,836	S *	2/2019	Hohwart	E05F 15/641 D25/119
D758,830	S *	6/2016	Partridge	F16L 3/06 D8/349	10,202,761	B2 *	2/2019	Loyd	E04B 2/94
					D847,380	S *	4/2019	Singh	D25/119
					D847,381	S *	4/2019	Ksiezopolski	D25/119
					D849,270	S *	5/2019	Singh	D25/119
					D850,656	S *	6/2019	Perez	D25/122
					D851,786	S *	6/2019	Ksiezopolski	D25/119
					D854,399	S *	7/2019	Winter	D8/349

(56)

References Cited

U.S. PATENT DOCUMENTS

D858,721 S * 9/2019 Gori D23/267
 D859,043 S * 9/2019 Maager D6/702
 D859,140 S * 9/2019 Kovacs D8/499
 D859,608 S * 9/2019 Gori D23/267
 D859,609 S * 9/2019 Gori D23/267
 D859,610 S * 9/2019 Gori D23/267
 D869,212 S * 12/2019 Maager D6/702
 D872,883 S * 1/2020 Bilge D25/119
 D872,884 S * 1/2020 Carter D25/119
 D872,886 S * 1/2020 Deeb E04H 4/141
 D873,980 S * 1/2020 Gori D23/267
 D874,025 S * 1/2020 Kittur D25/119
 D875,222 S * 2/2020 Gori D23/267
 D875,898 S * 2/2020 Gori D23/267
 D876,138 S * 2/2020 Rollins A47F 5/0018
 D877,598 S * 3/2020 Macdonald D8/349
 D877,605 S * 3/2020 Zeilinger D8/394
 D881,359 S * 4/2020 Hunter D23/267
 D882,122 S * 4/2020 Fisher D25/119
 D882,387 S * 4/2020 Zeilinger D8/394
 D883,073 S * 5/2020 Jaramillo D8/354
 D889,247 S * 7/2020 Baltz, Jr. E04B 1/7076
 D890,601 S * 7/2020 Gori D8/394
 D890,602 S * 7/2020 Gori D8/394
 D892,105 S * 8/2020 Ji D14/250
 D893,761 S * 8/2020 Helms D25/124
 10,765,234 B1 * 9/2020 Awalt A47F 5/0068
 10,765,235 B1 * 9/2020 Awalt A47F 5/0043
 D898,949 S * 10/2020 Helms D25/124
 D899,632 S * 10/2020 Roberts D25/119

D901,039 S * 11/2020 Helms D25/119
 D901,040 S * 11/2020 Helms D25/119
 D901,719 S * 11/2020 Greene D25/48.2
 D901,722 S * 11/2020 Helms D25/119
 D902,016 S * 11/2020 Yehishalom D8/354
 D902,693 S * 11/2020 Freeman D8/349
 D904,649 S * 12/2020 Maldonado D25/164
 D905,283 S * 12/2020 Hay, III D25/119
 10,874,228 B1 * 12/2020 Awalt G09F 3/204
 D910,425 S * 2/2021 Gallien D8/373
 D911,558 S * 2/2021 McKinley D25/119
 D920,086 S * 5/2021 Bryant A47F 5/0043
 D920,087 S * 5/2021 Bryant G09F 3/204
 D921,477 S * 6/2021 O'Halloran D8/373
 D923,761 S * 6/2021 Hunter D23/267
 D923,822 S * 6/2021 Bryant D25/124
 11,147,365 B2 * 10/2021 Jones A47B 13/003
 2002/0178671 A1 * 12/2002 Gembala E04D 13/0459
 2007/0034583 A1 2/2007 Henning et al.
 2010/0077781 A1 4/2010 Decker et al.
 2012/0000871 A1 1/2012 Troyner et al.
 2012/0067838 A1 3/2012 Lawson et al.
 2013/0186009 A1 * 7/2013 Hart E06B 1/62
 2014/0116973 A1 5/2014 Buckley et al.
 2015/0090683 A1 4/2015 Sabounjian
 2016/0220018 A1 8/2016 Hanlon
 2017/0042329 A1 2/2017 Rollins et al.
 2017/0138060 A1 * 5/2017 Newell E04F 13/007
 2019/0116861 A1 * 4/2019 Zeilinger A23G 3/56
 2019/0277037 A1 * 9/2019 Nielsen E04B 9/003
 2020/0032507 A1 * 1/2020 Lee E04B 2/74
 2021/0153653 A1 * 5/2021 Siekmann A47B 77/08

* cited by examiner

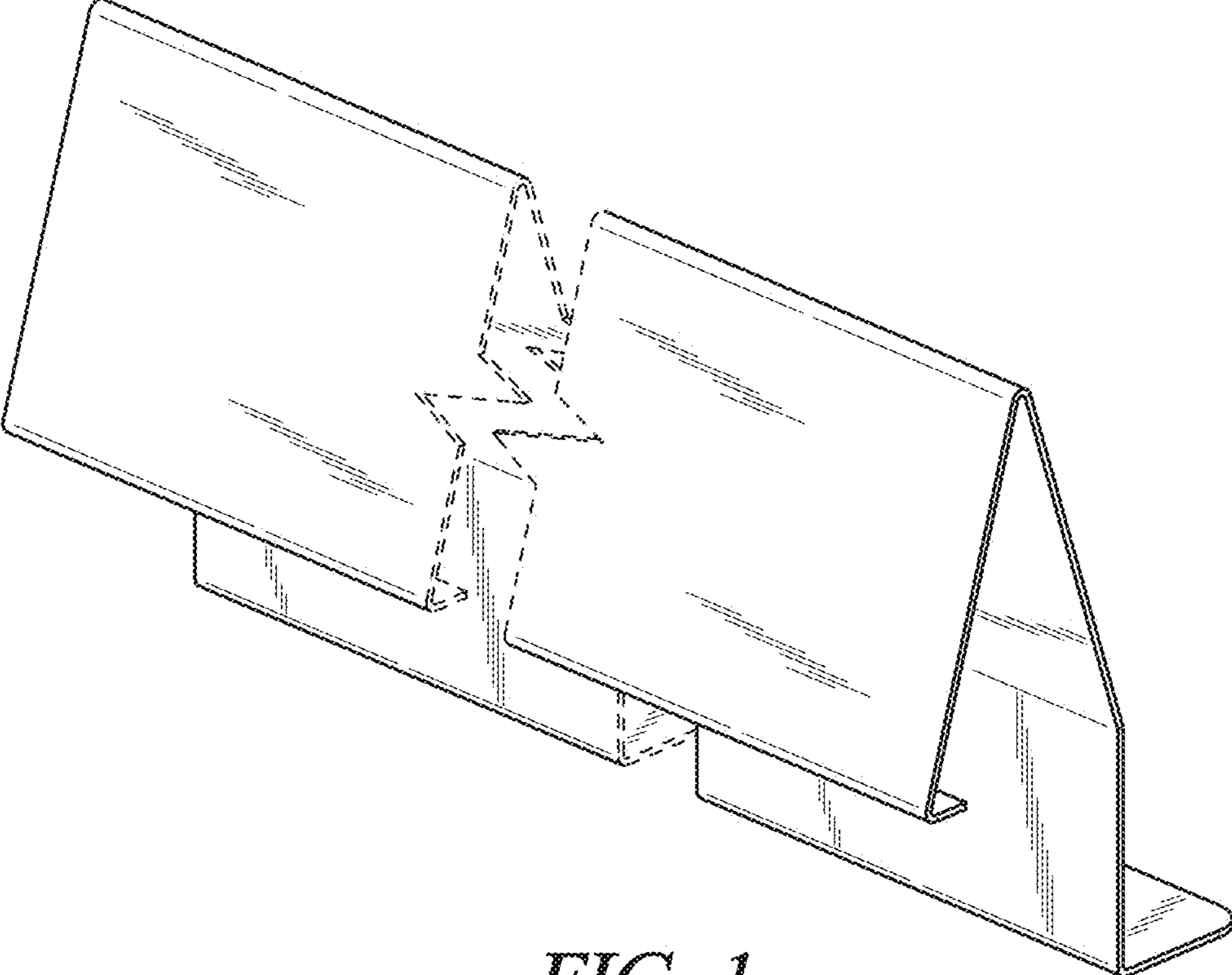


FIG. 1

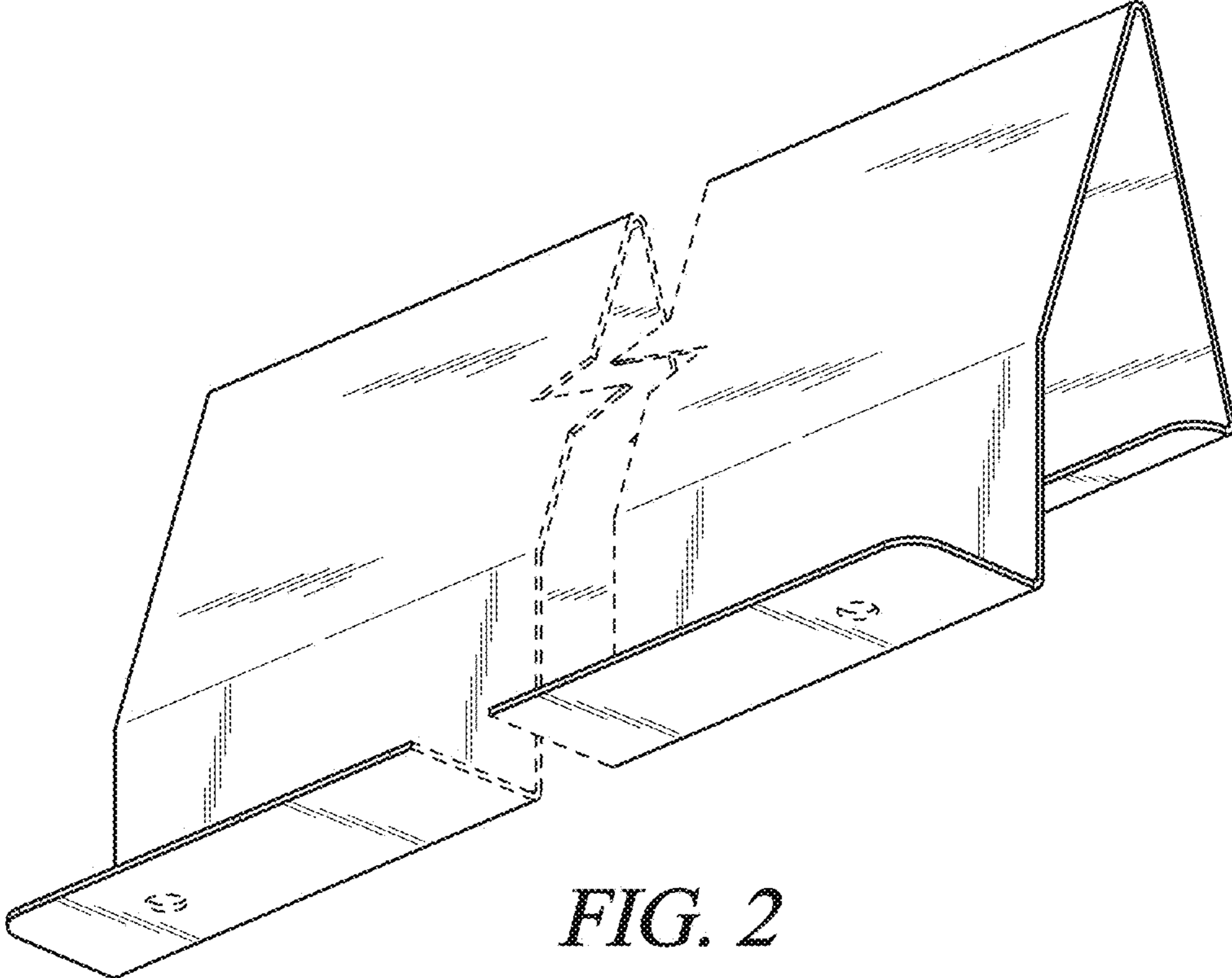


FIG. 2

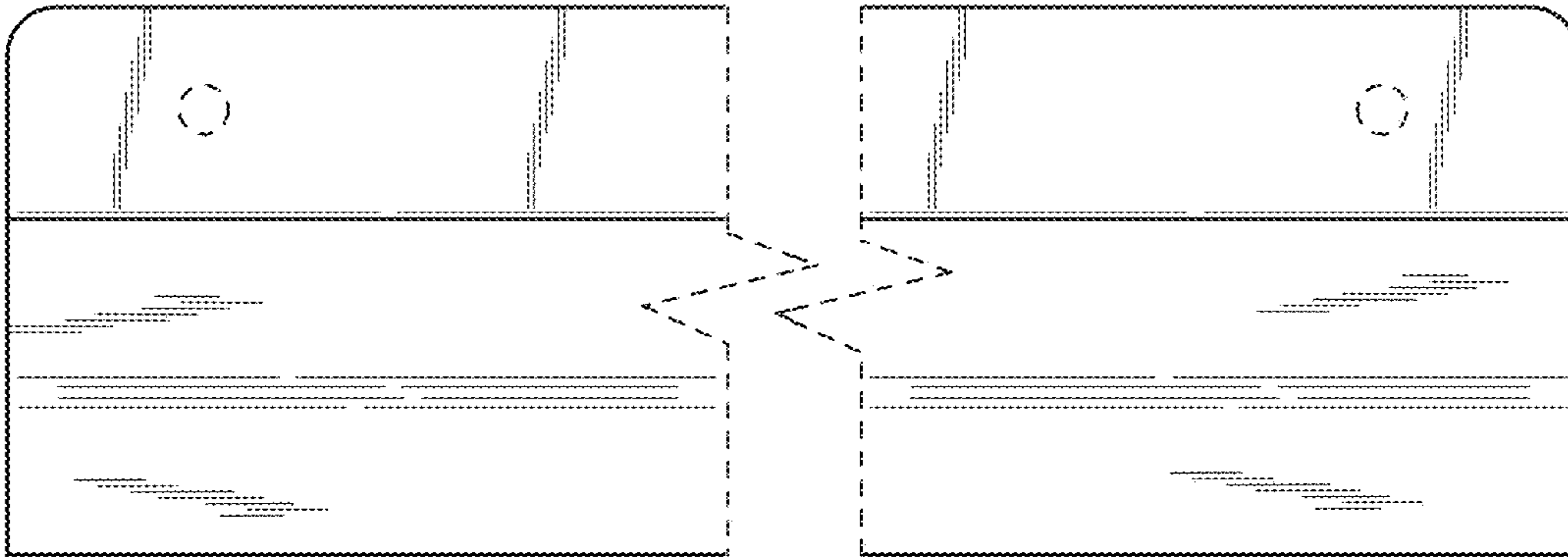


FIG. 4

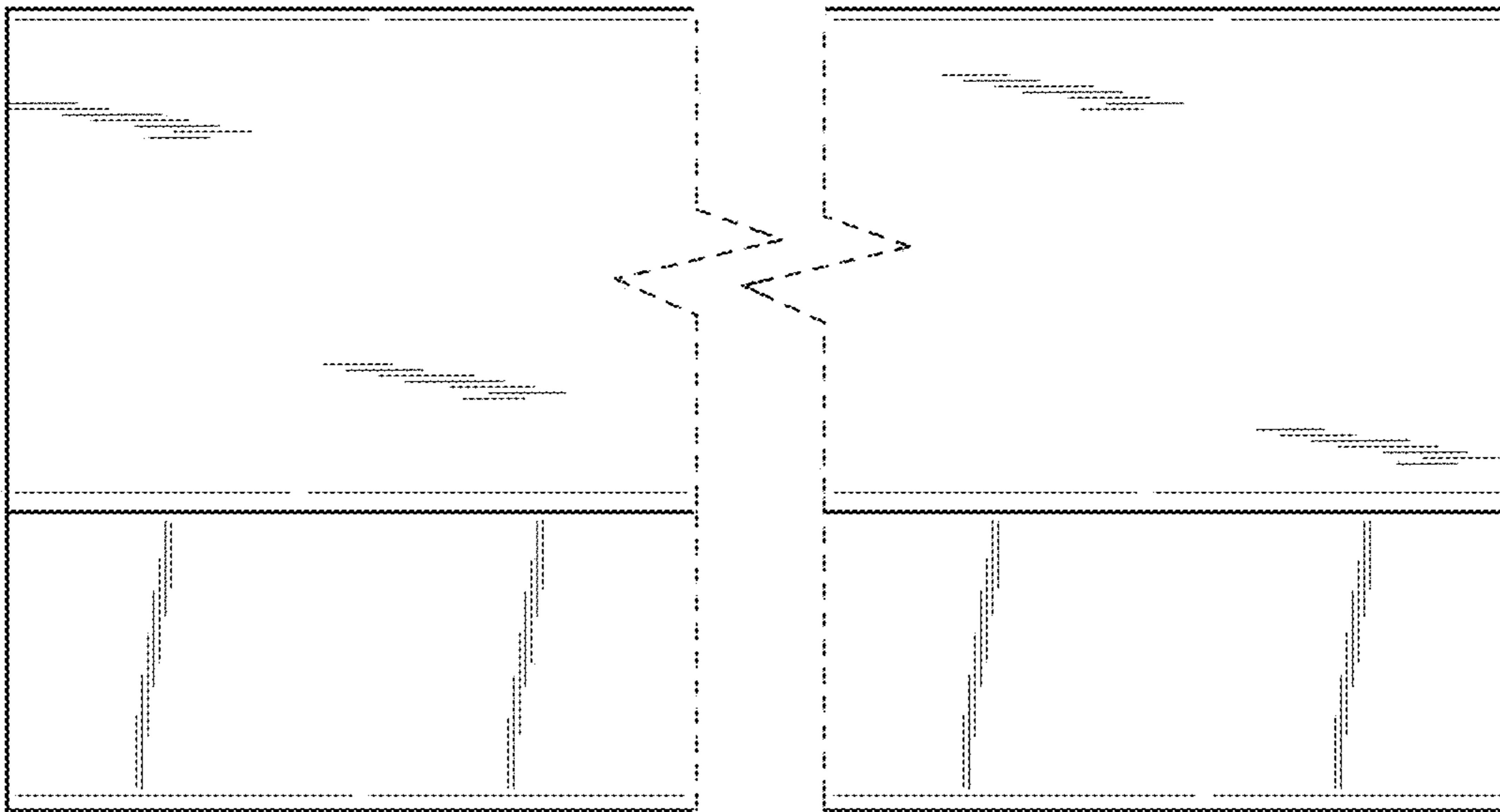


FIG. 3

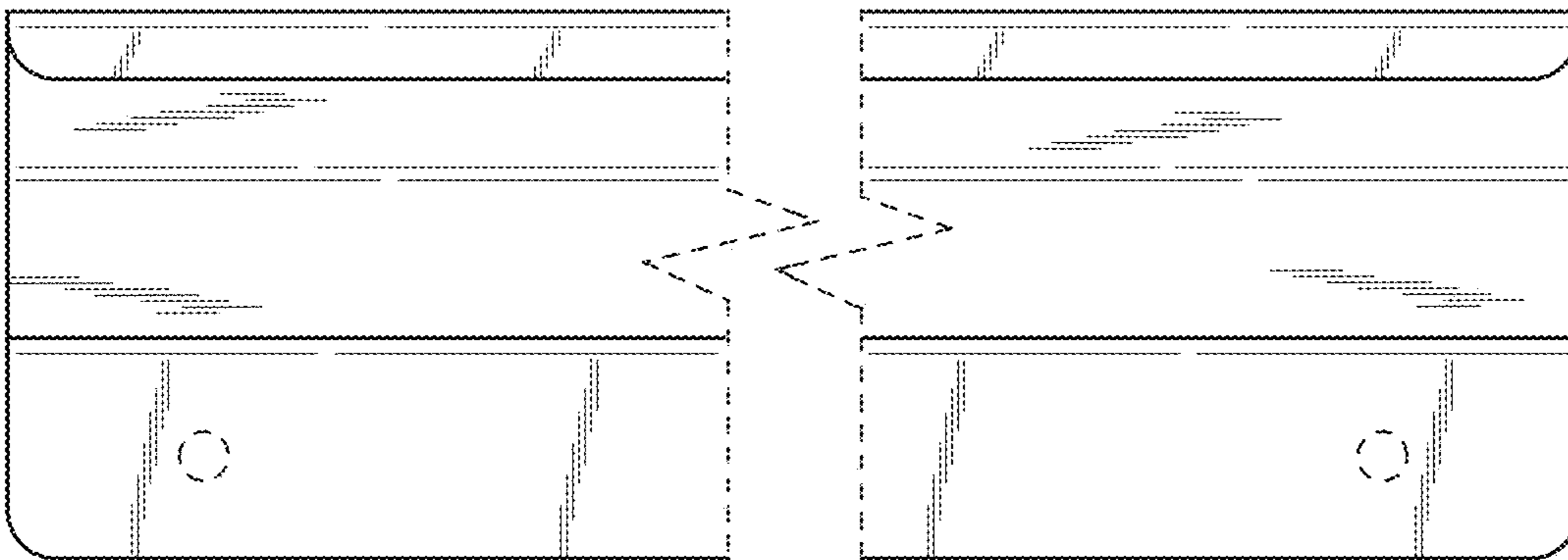


FIG. 5

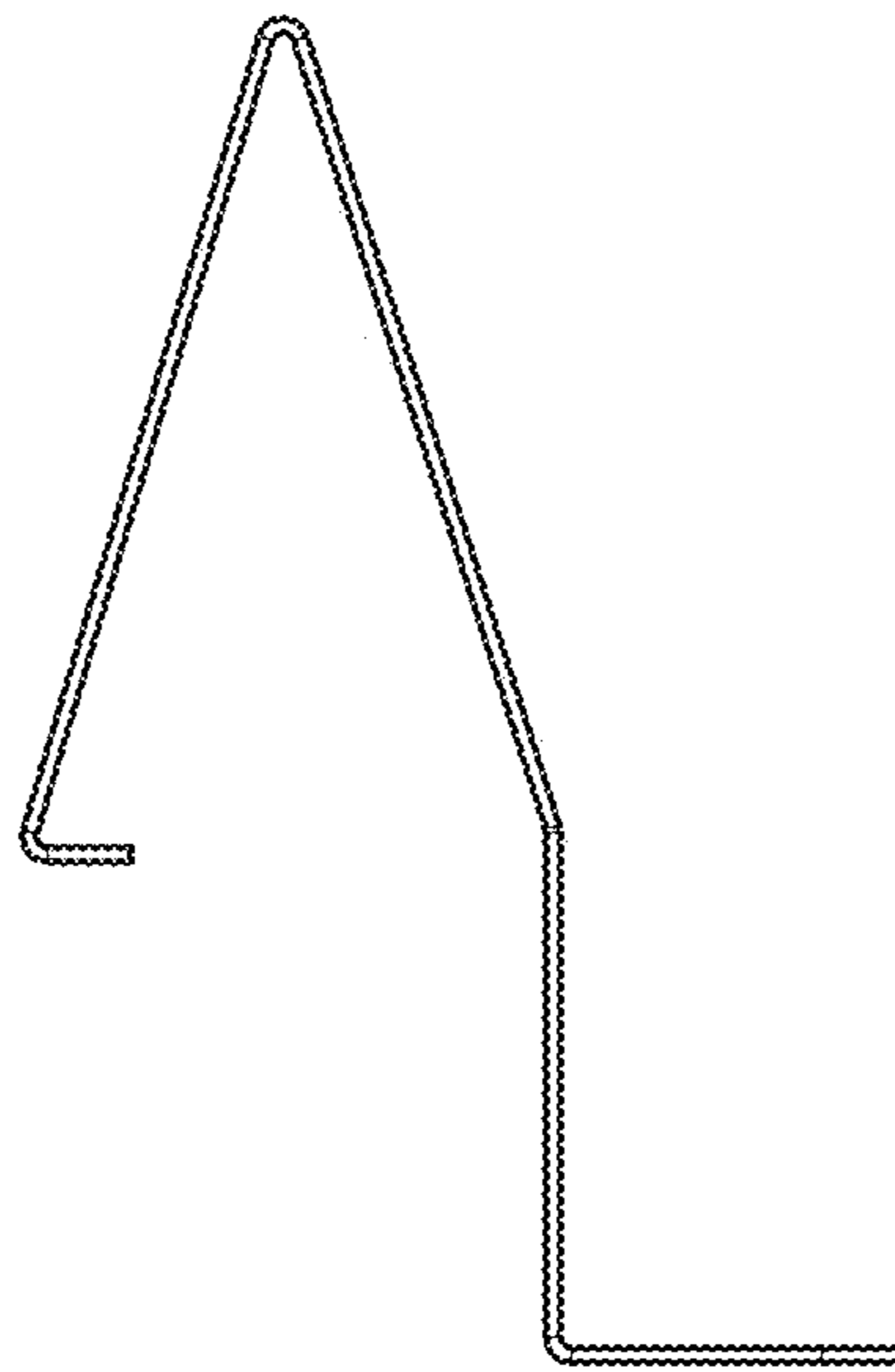


FIG. 6

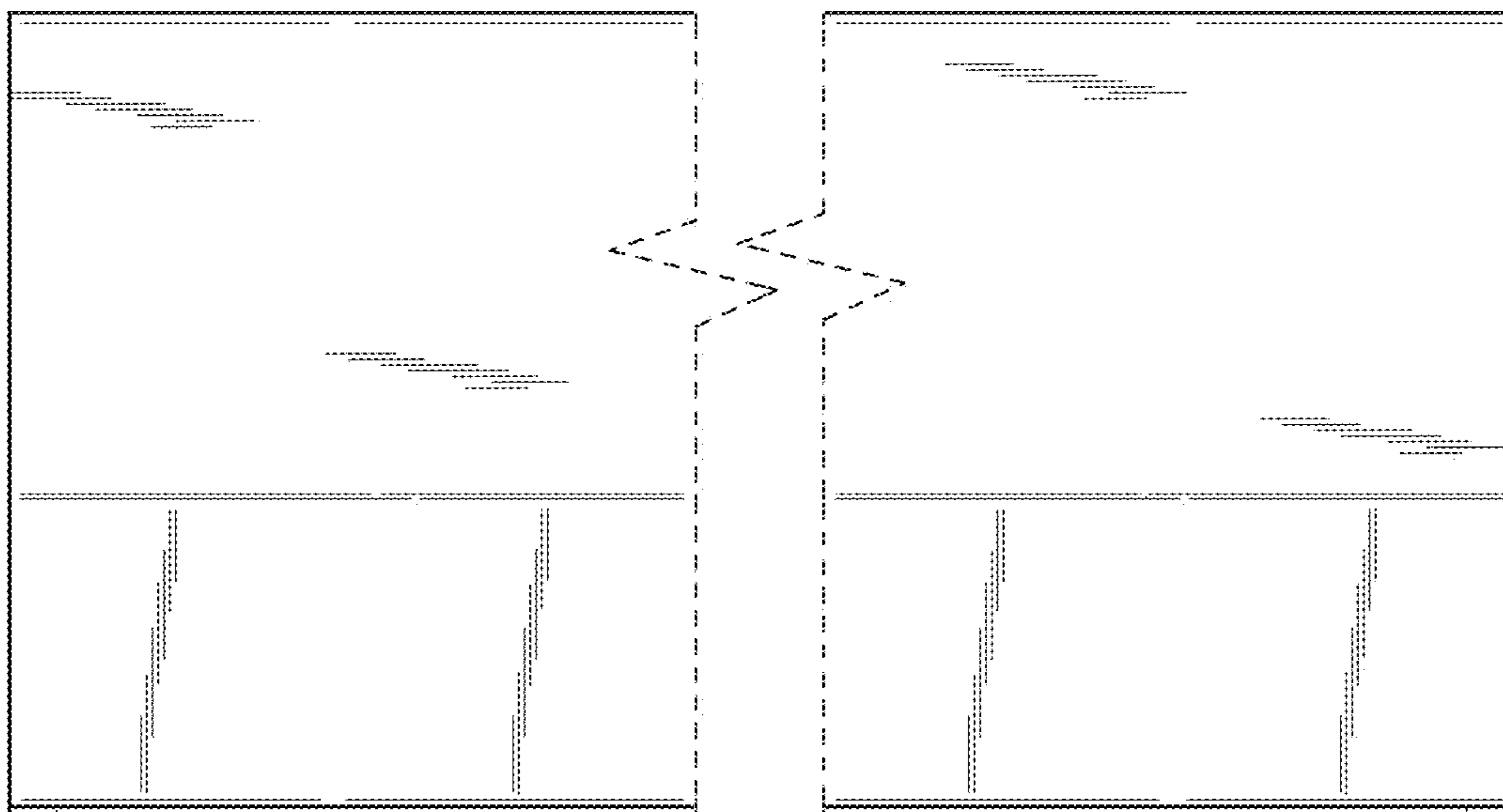


FIG. 7