

US00D942785S

(12) **United States Design Patent** (10) **Patent No.:** **US D942,785 S**
Li (45) **Date of Patent:** **** Feb. 8, 2022**

(54) **TABLE**
(71) Applicant: **39F USA INC**, Rancho Cucamonga, CA (US)
(72) Inventor: **Yuehai Li**, Rancho Cucamonga, CA (US)
(**) Term: **15 Years**
(21) Appl. No.: **29/715,882**
(22) Filed: **Dec. 5, 2019**
(51) **LOC (13) Cl.** **06-03**
(52) **U.S. Cl.**
USPC **D6/691.6**
(58) **Field of Classification Search**
USPC D6/684-686, 691, 691.1-691.9
CPC .. A47B 3/00; A47B 3/002; A47B 3/02; A47B 3/08; A47B 2003/008; A47B 7/00; A47B 9/00; A47B 13/00; A47B 13/02; A47B 13/04; A47B 13/06; A47B 13/08; A47B 13/10; A47B 13/12; A47B 17/00; A47B 21/00; A47B 2200/0001; A47B 2200/0011; A47B 2200/002
See application file for complete search history.

(56) **References Cited**
U.S. PATENT DOCUMENTS
D162,045 S * 2/1951 Lee D6/691
2,666,682 A * 1/1954 McCormick A47B 3/02
108/120
3,083,066 A * 3/1963 Bedol A47B 3/02
108/119
D546,096 S * 7/2007 Kreiss A47B 3/02
D6/691
D563,122 S * 3/2008 Kreiss D6/691

D882,313 S * 4/2020 Page A47C 11/00
D6/691
2007/0175369 A1* 8/2007 Reiner A47B 3/02
108/118
2017/0188697 A1* 7/2017 Lin A47C 11/00

OTHER PUBLICATIONS

Aingoo TV Trays Set of 2—Amazon, Date first available—Mar. 17, 2021 https://www.amazon.com/Aingoo-Folding-Tables-Assembly-Required/dp/B08Z7CGFG8/ref=zg_bs_8516652011_22?_encoding=UTF8&psc=1&refRID=HH6ZEPP6TJ5EEGT4P2PS retrieved from the internet on Aug. 5, 2021.*

* cited by examiner

Primary Examiner — Mary Ann Calabrese
(74) *Attorney, Agent, or Firm* — Feng Qian

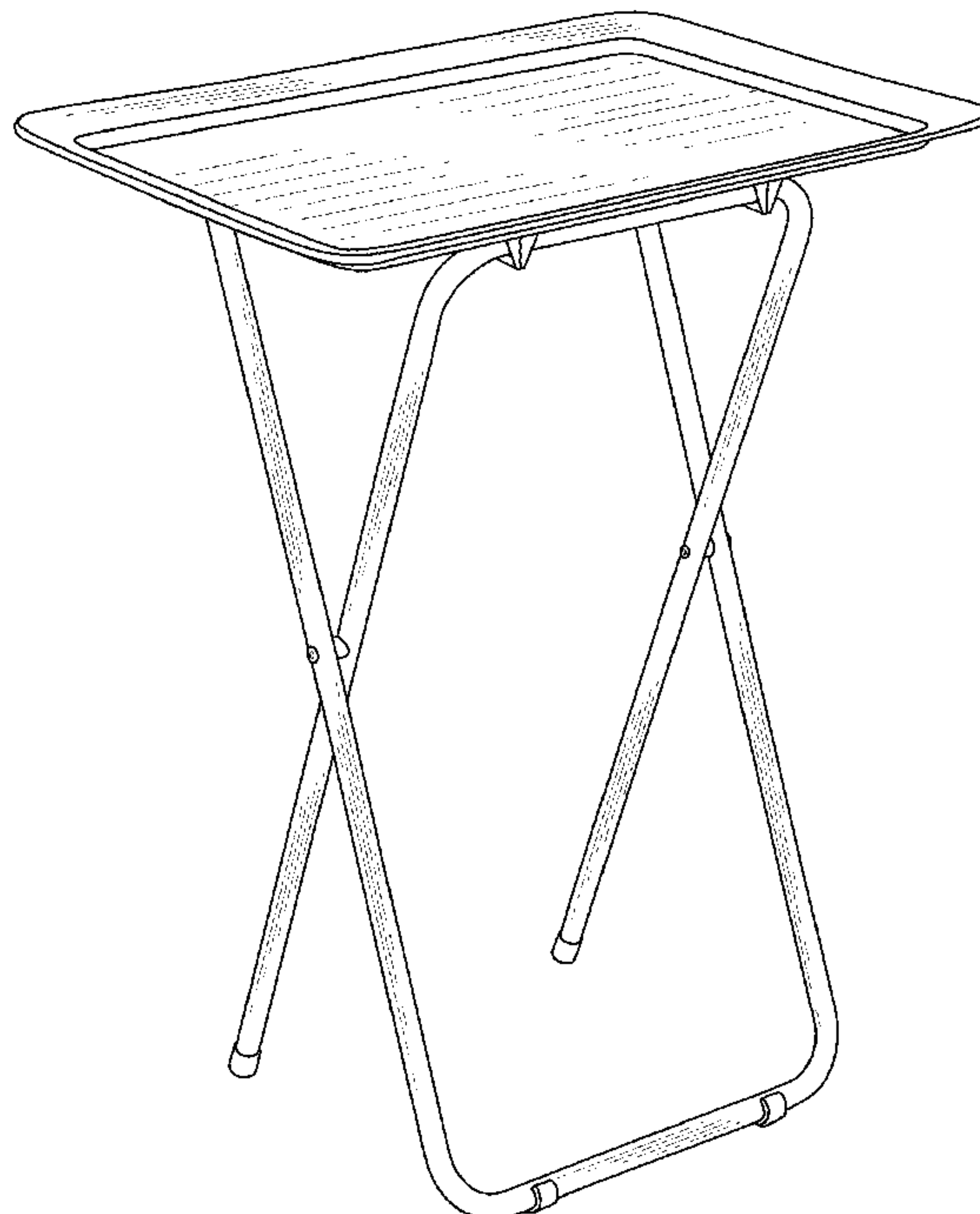
(57) **CLAIM**

The ornamental design for a table, as shown and described.

DESCRIPTION

FIG. 1 is a front perspective view of a table showing my new design;
FIG. 2 is a front elevation view thereof;
FIG. 3 is a rear elevation view thereof;
FIG. 4 is a left-side elevation view thereof;
FIG. 5 is a right-side elevation view thereof;
FIG. 6 is a top plan view thereof; and,
FIG. 7 is a bottom plan view thereof.
The broken lines shown in the drawings are for the purpose of illustrating portions of the article, and form no part of the claimed design.

1 Claim, 7 Drawing Sheets



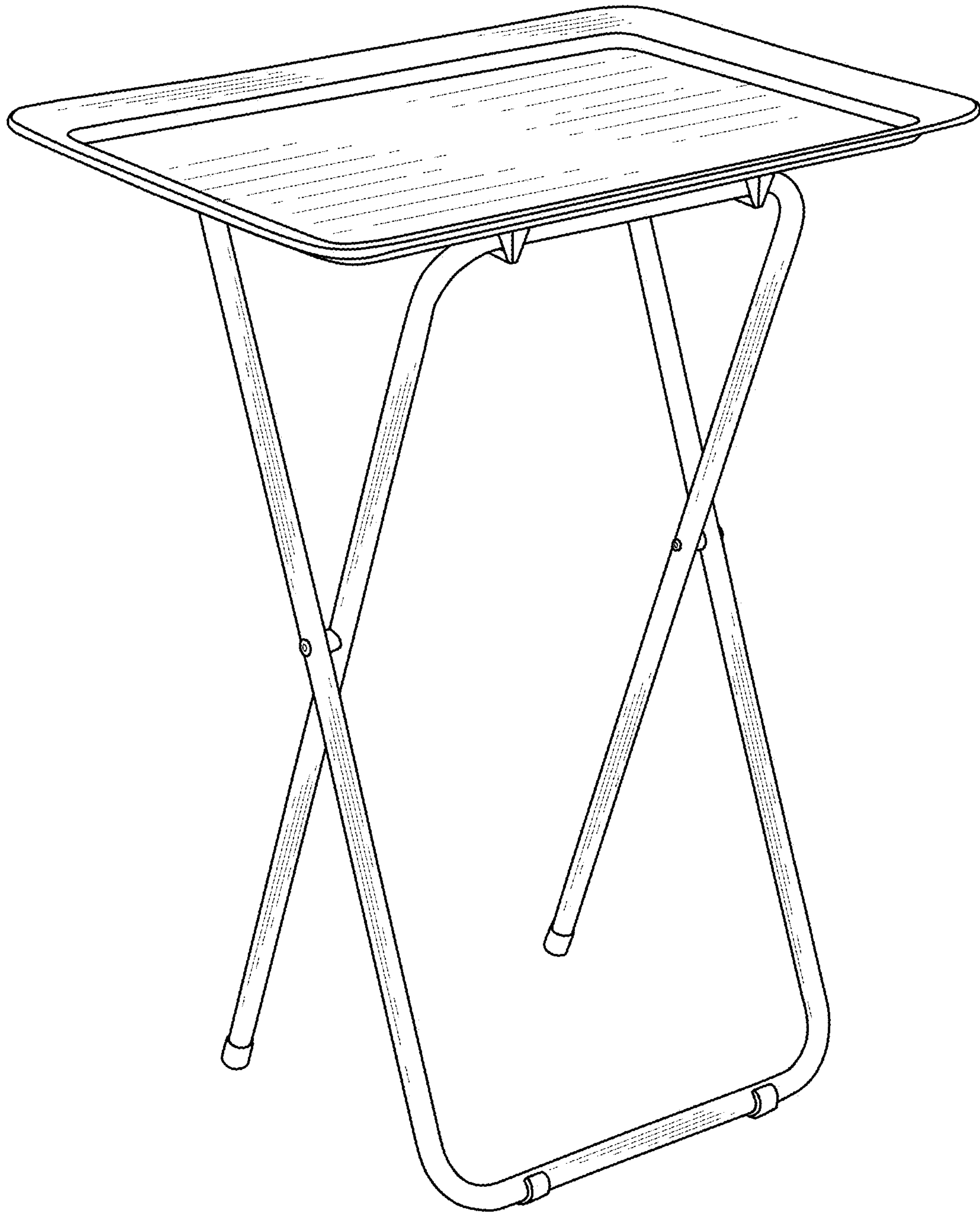


FIG. 1

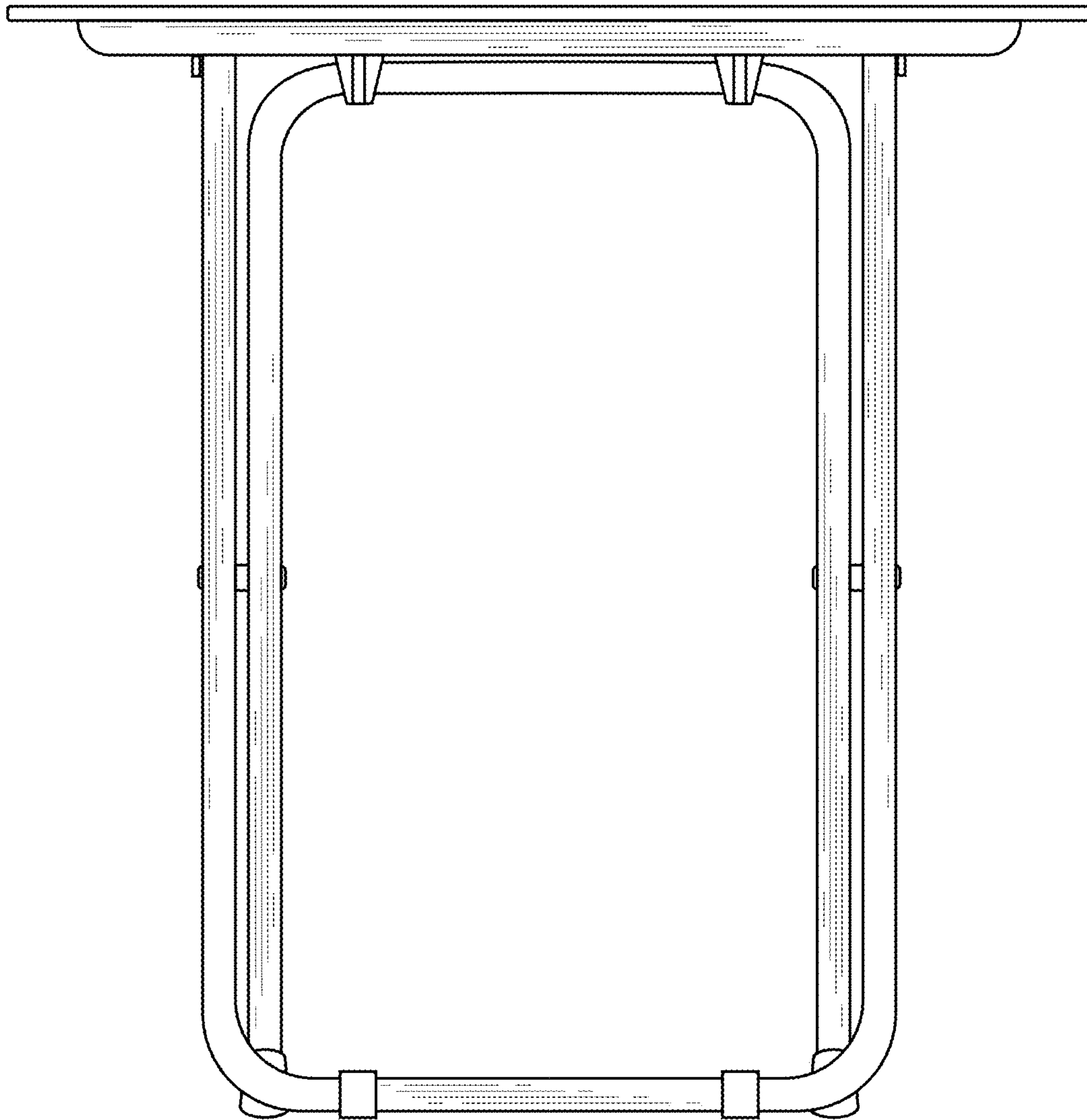


FIG.2

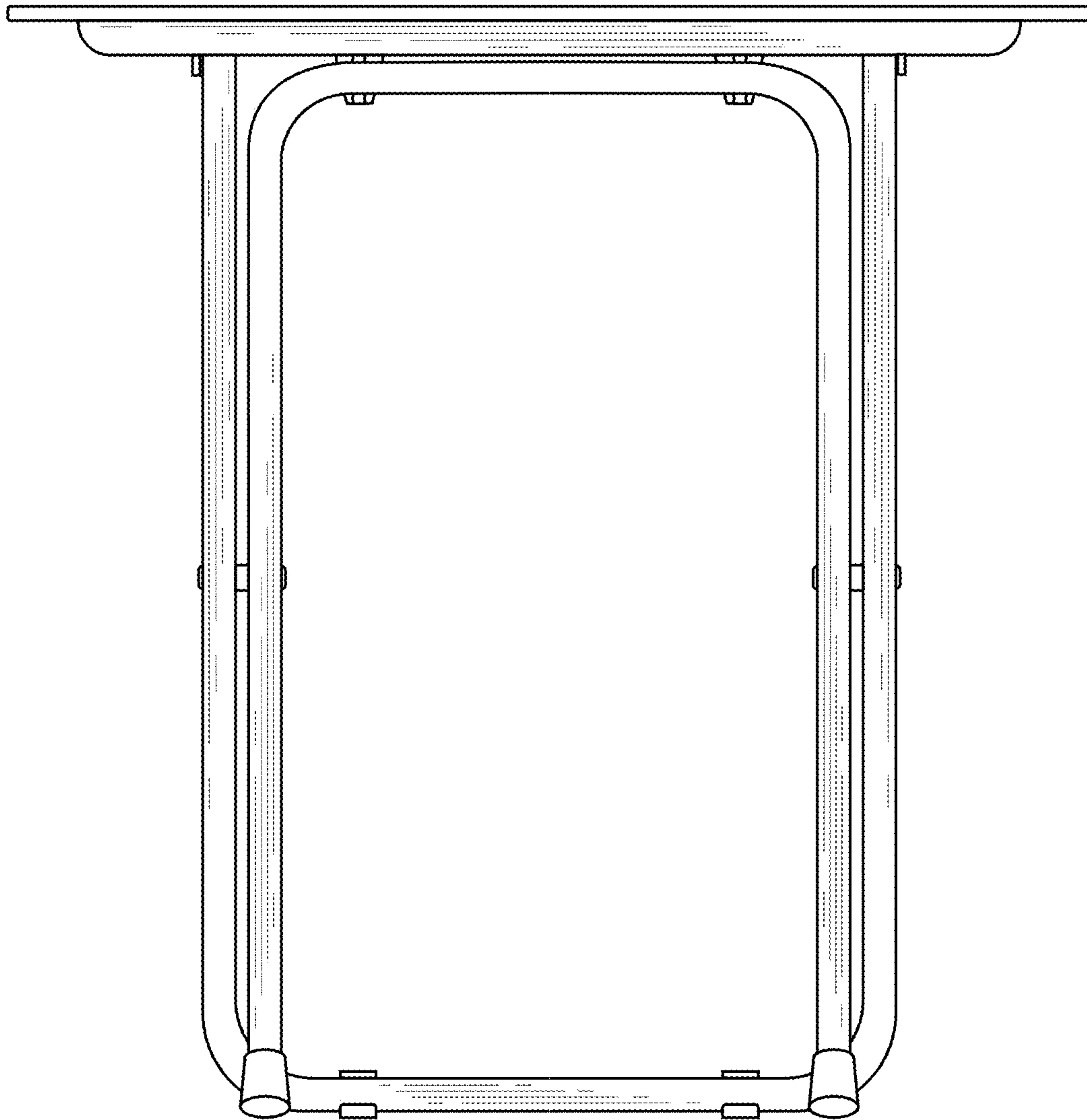


FIG. 3

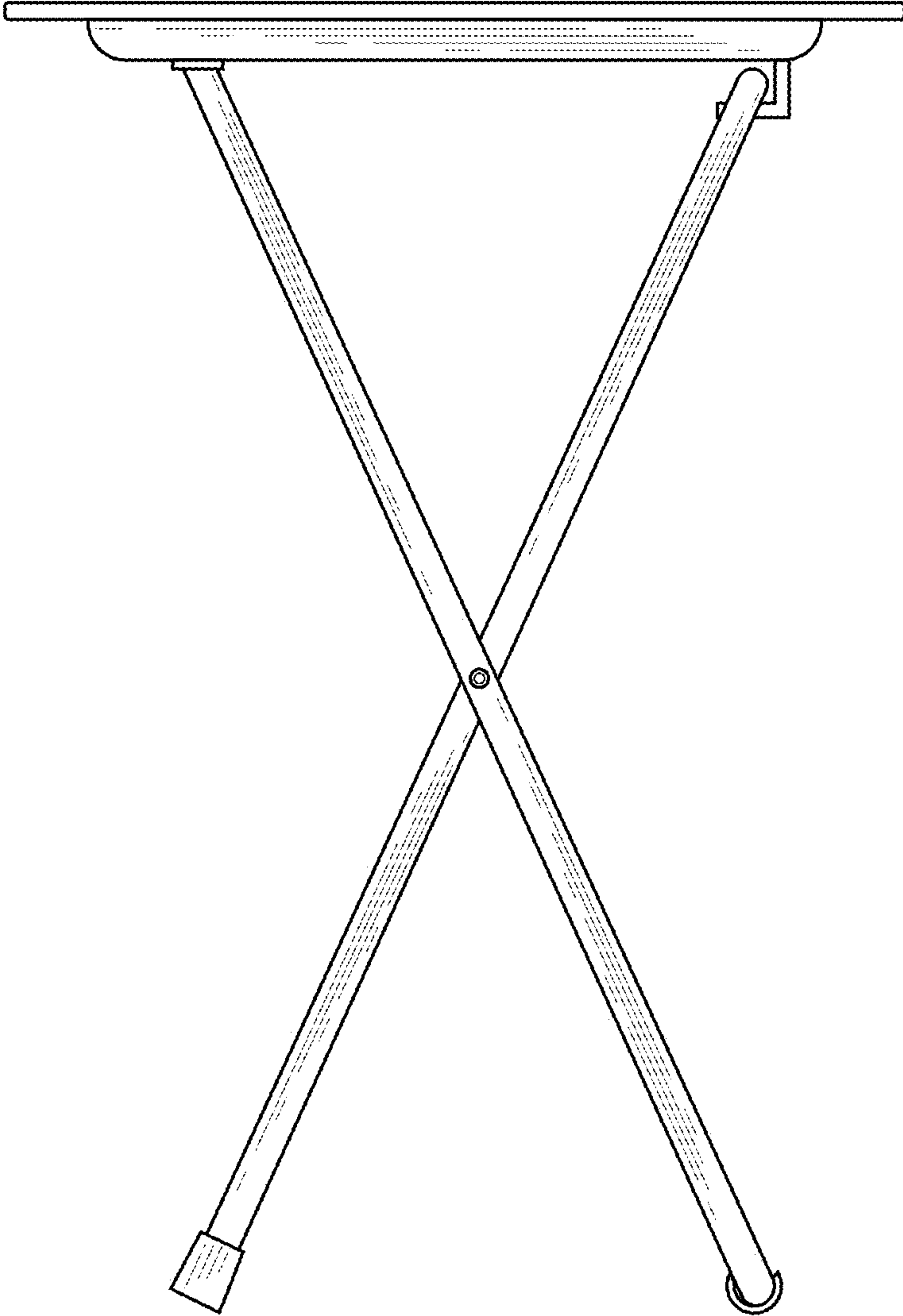


FIG. 4

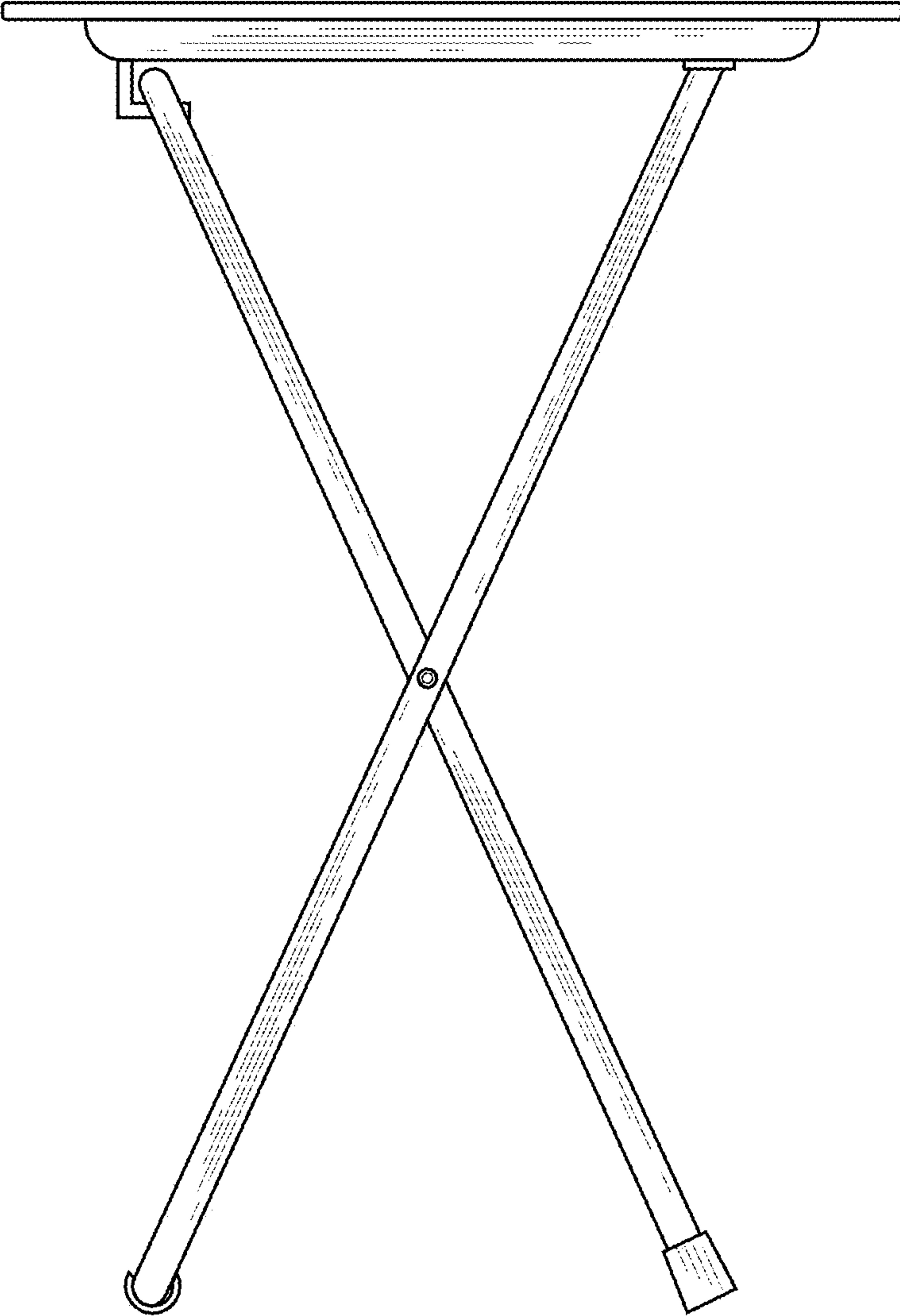


FIG. 5

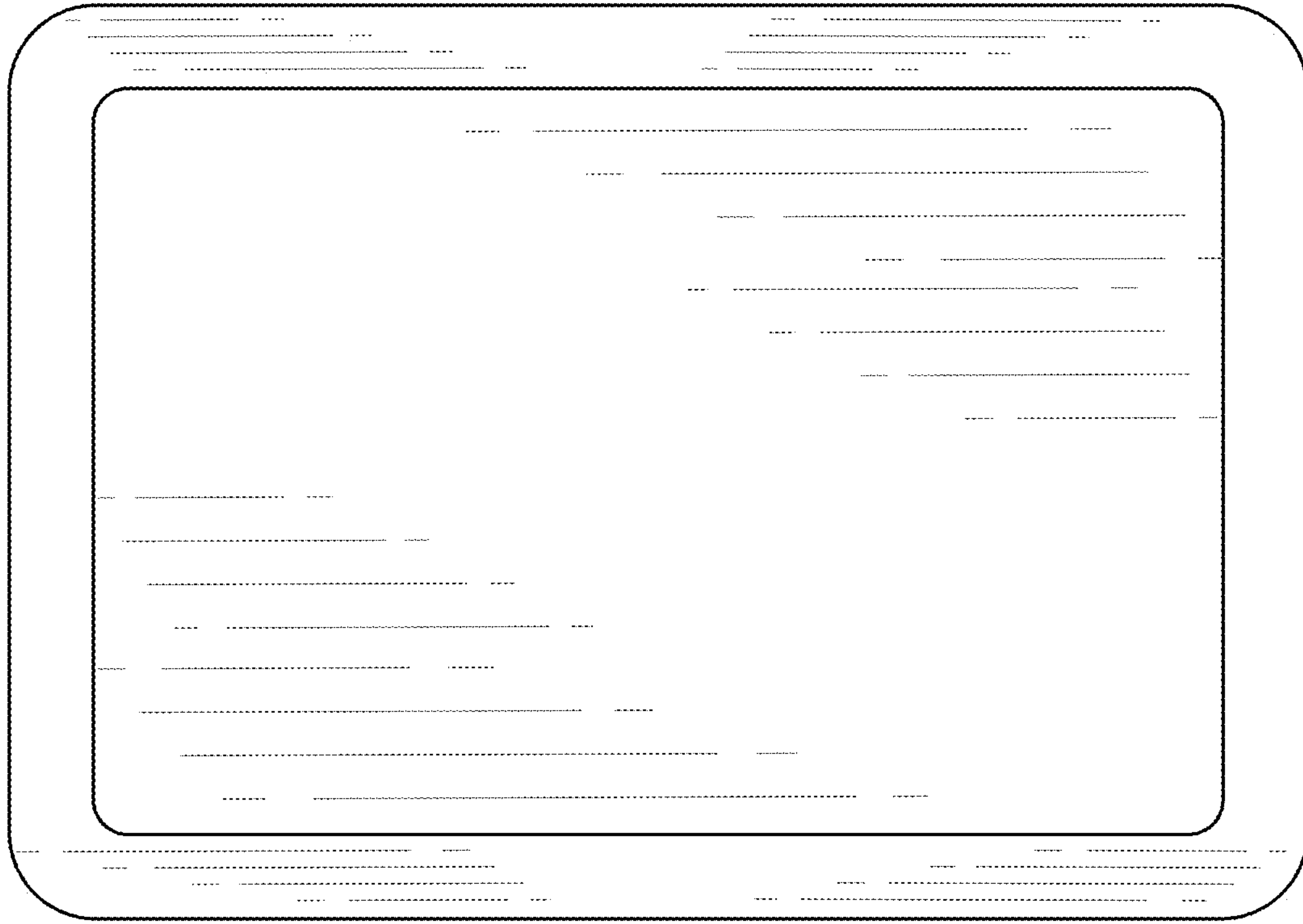


FIG. 6

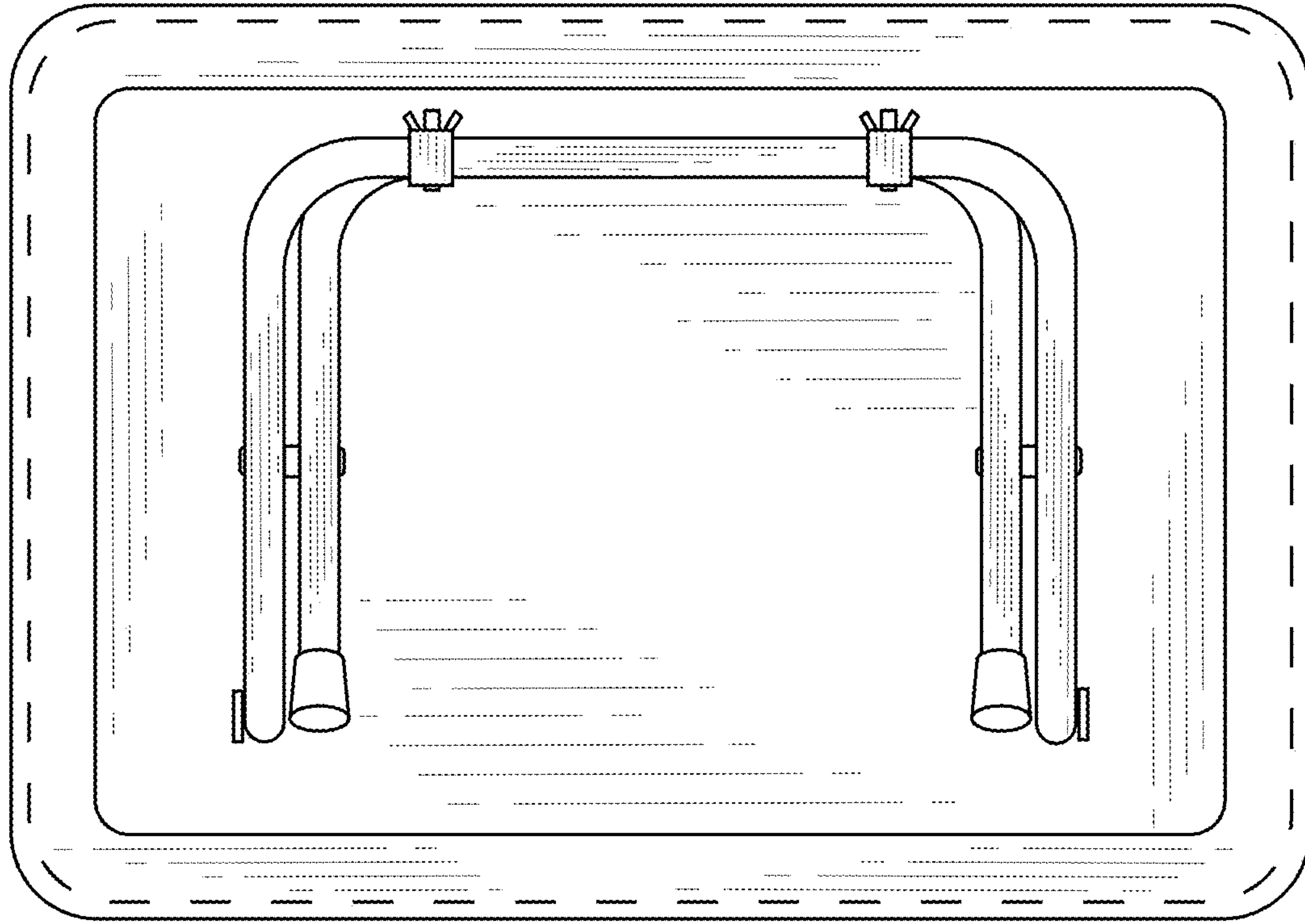


FIG. 7