



US00D942781S

(12) **United States Design Patent** (10) **Patent No.:** **US D942,781 S**  
**Li** (45) **Date of Patent:** **\*\* Feb. 8, 2022**

(54) **DESK**

(71) Applicant: **39F USA INC**, Rancho Cucamonga, CA (US)

(72) Inventor: **Yuehai Li**, Rancho Cucamonga, CA (US)

(\*\*) Term: **15 Years**

(21) Appl. No.: **29/715,916**

(22) Filed: **Dec. 5, 2019**

(51) **LOC (13) Cl.** ..... **06-03**

(52) **U.S. Cl.**  
USPC ..... **D6/655.18**

(58) **Field of Classification Search**  
USPC ..... D6/641, 642, 644, 647, 655, 655.1, D6/655.11, 655.12, 655.16-655.19, 656  
CPC ..... A47B 7/00; A47B 13/00; A47B 13/02; A47B 13/04; A47B 13/06; A47B 13/08; A47B 13/10; A47B 13/12; A47B 17/00; A47B 17/003; A47B 17/006; A47B 17/033; A47B 17/06; A47B 21/00; A47B 21/0314; A47B 2021/0307; A47B 2021/0321; A47B 2021/0335; A47B 2021/0364; A47B 2200/0001; A47B 2200/0002; A47B 2200/0003; A47B 2200/0004; A47B 2200/0011; A47B 2200/002

See application file for complete search history.

(56) **References Cited**

U.S. PATENT DOCUMENTS

D552,884	S	*	10/2007	Saotome	.....	D6/656
D552,885	S	*	10/2007	Saotome	.....	D6/656
D671,339	S	*	11/2012	Nakamura	.....	A47B 3/0818
						D6/691
D676,689	S	*	2/2013	Matsushita	.....	D6/691
D695,557	S	*	12/2013	Carretta	.....	D6/708
D806,446	S	*	1/2018	Benden	.....	D6/656
D861,383	S	*	10/2019	Hu	.....	D6/656.17
D882,988	S	*	5/2020	Hu	.....	D6/656.17
D889,169	S	*	7/2020	Hu	.....	D6/656.16
2013/0284076	A1	*	10/2013	Okuda	.....	A47B 3/0818
						108/115

\* cited by examiner

*Primary Examiner* — Mary Ann Calabrese  
(74) *Attorney, Agent, or Firm* — Feng Qian

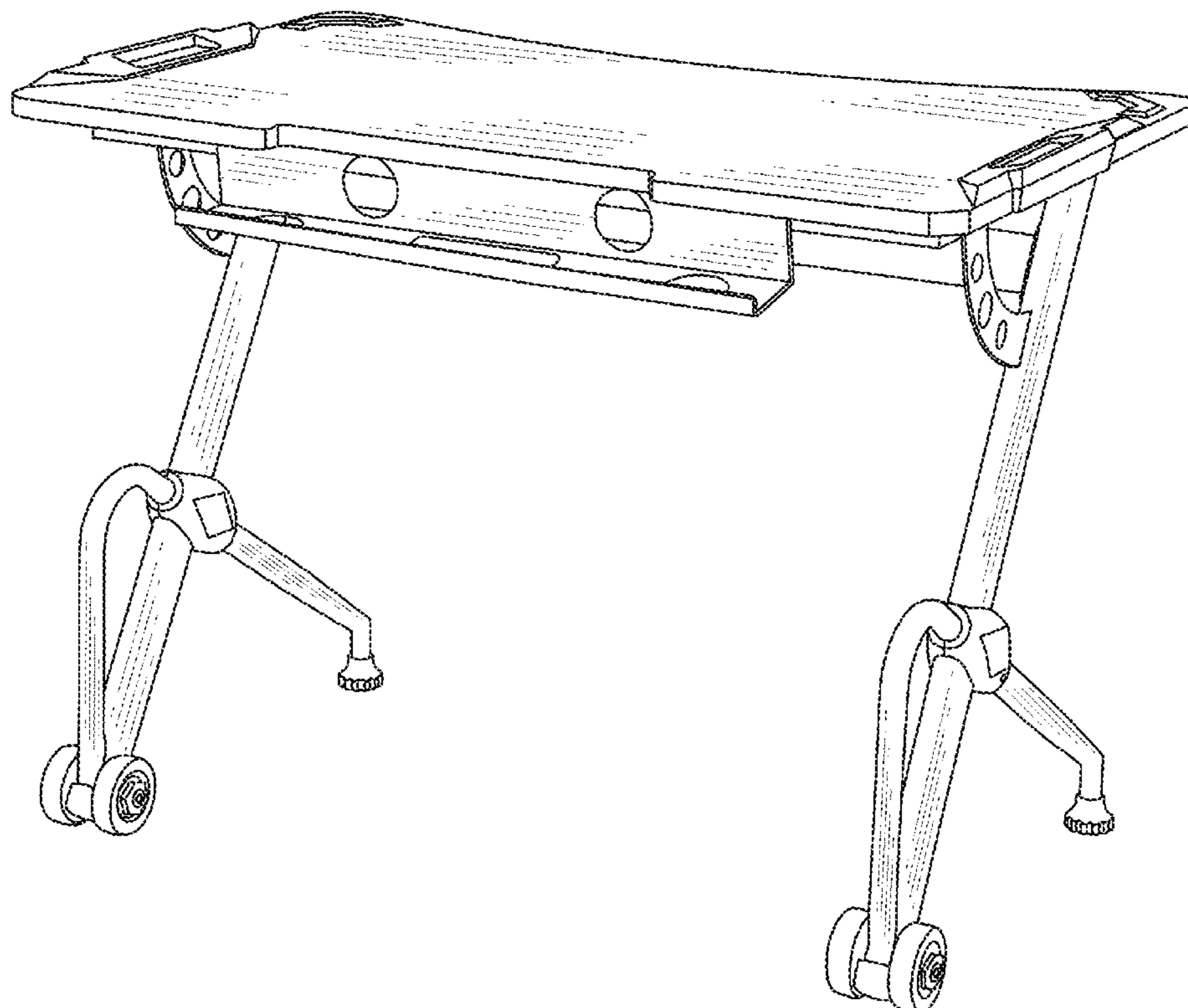
(57) **CLAIM**

The ornamental design for a desk, as shown and described.

**DESCRIPTION**

FIG. 1 is a rear perspective view of a desk showing my new design;  
FIG. 2 is a front elevation view thereof;  
FIG. 3 is a rear elevation view thereof;  
FIG. 4 is a left-side elevation view thereof;  
FIG. 5 is a right-side elevation view thereof;  
FIG. 6 is a top plan view thereof; and,  
FIG. 7 is a bottom plan view thereof.

**1 Claim, 7 Drawing Sheets**



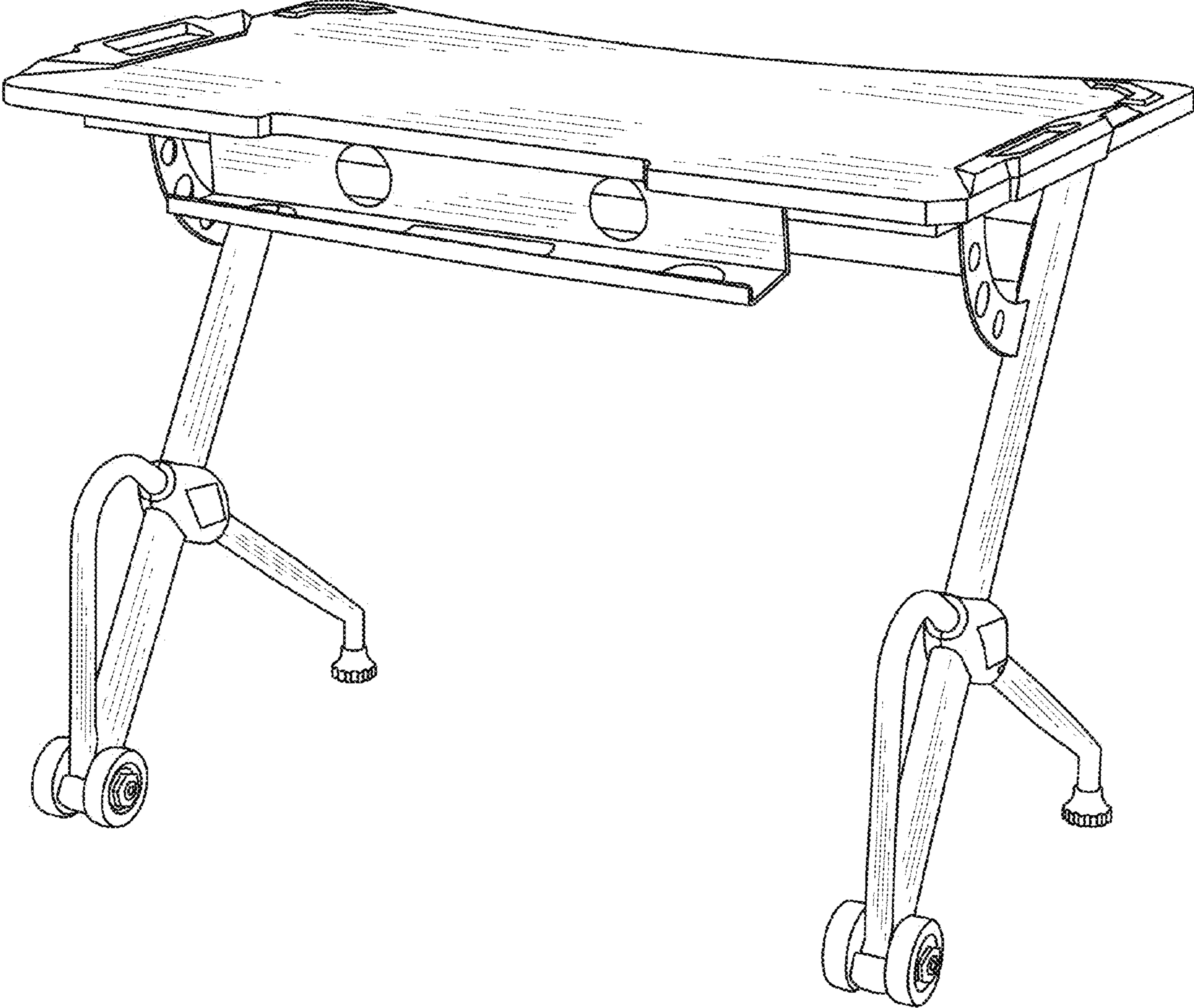


FIG. 1

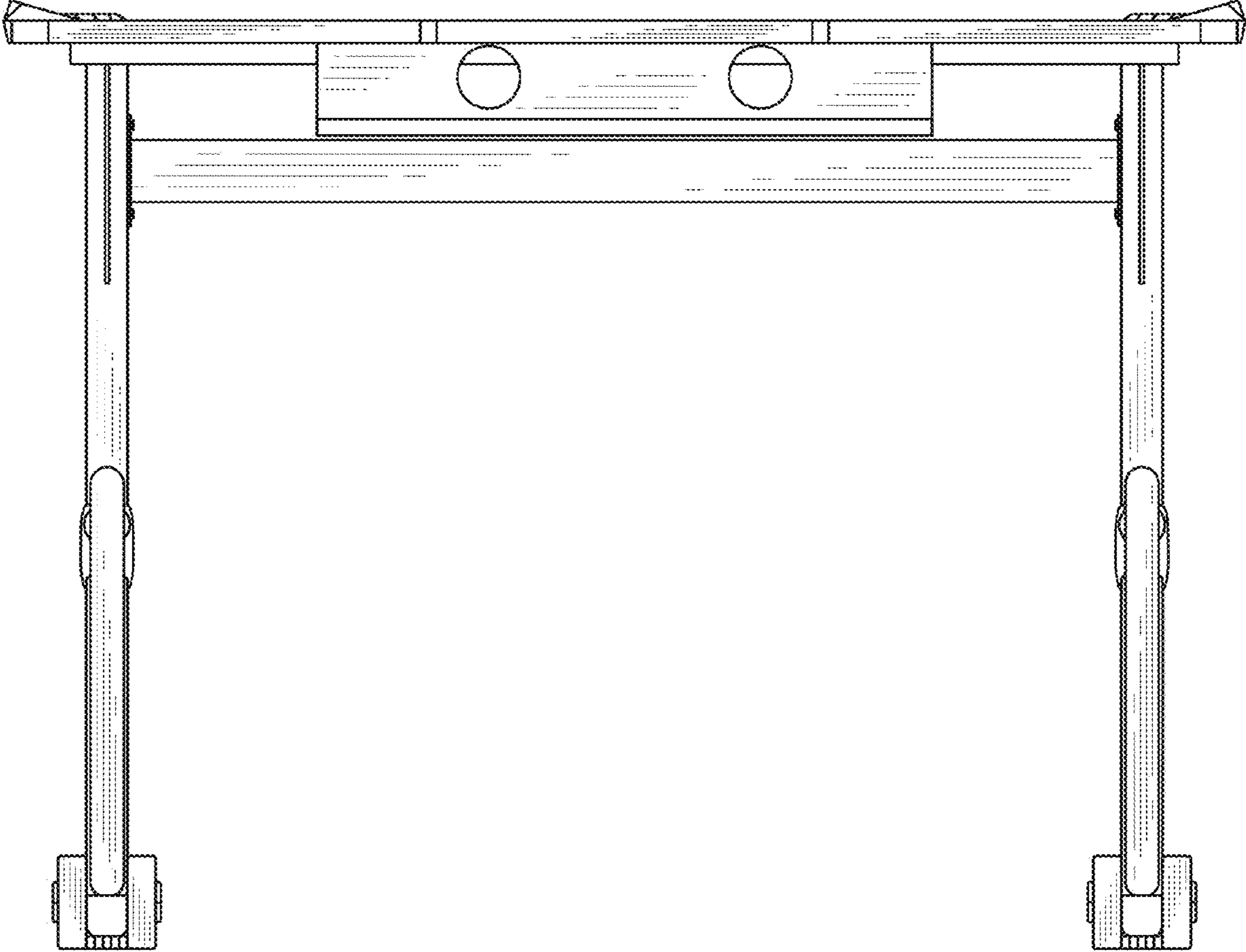


FIG. 2

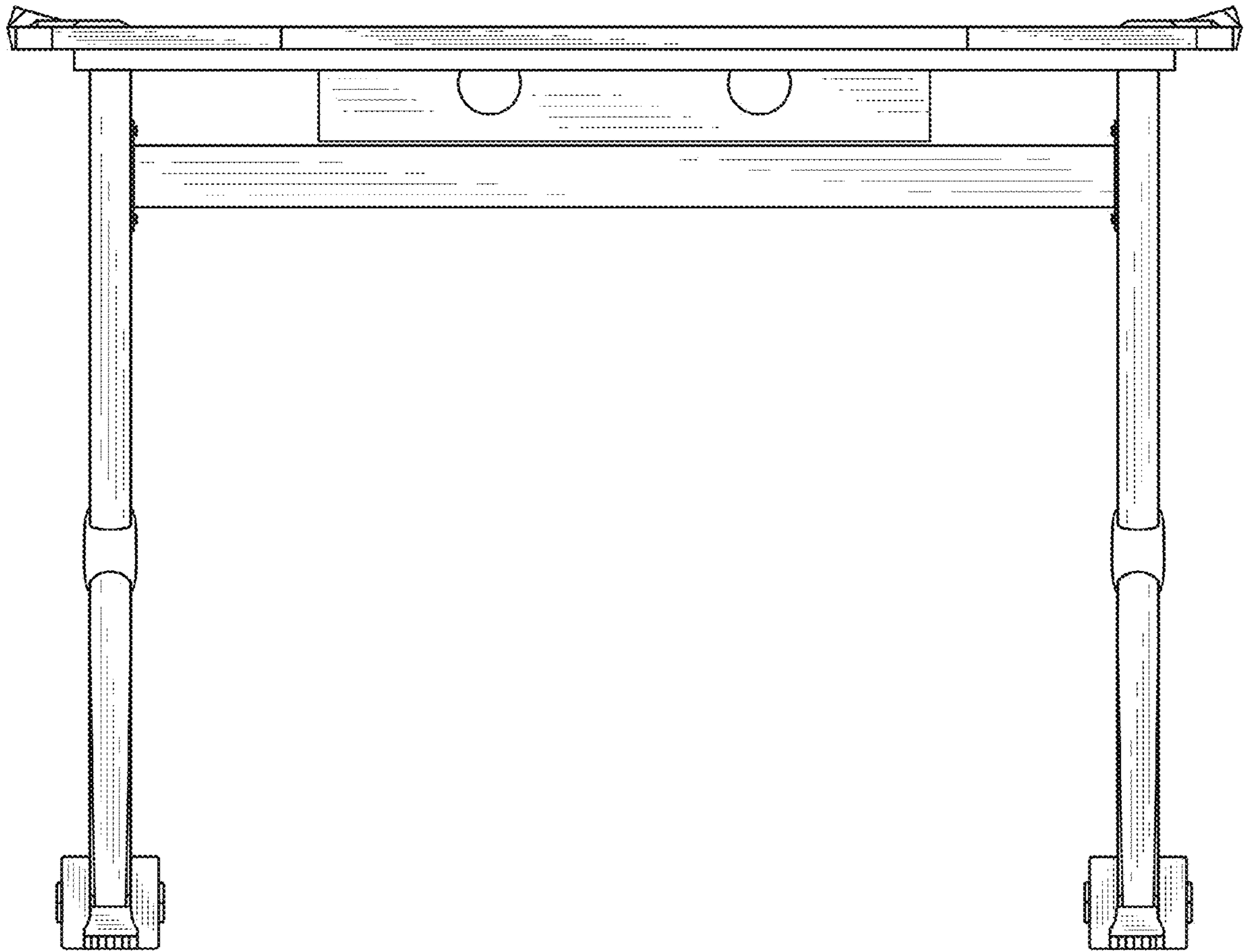


FIG. 3

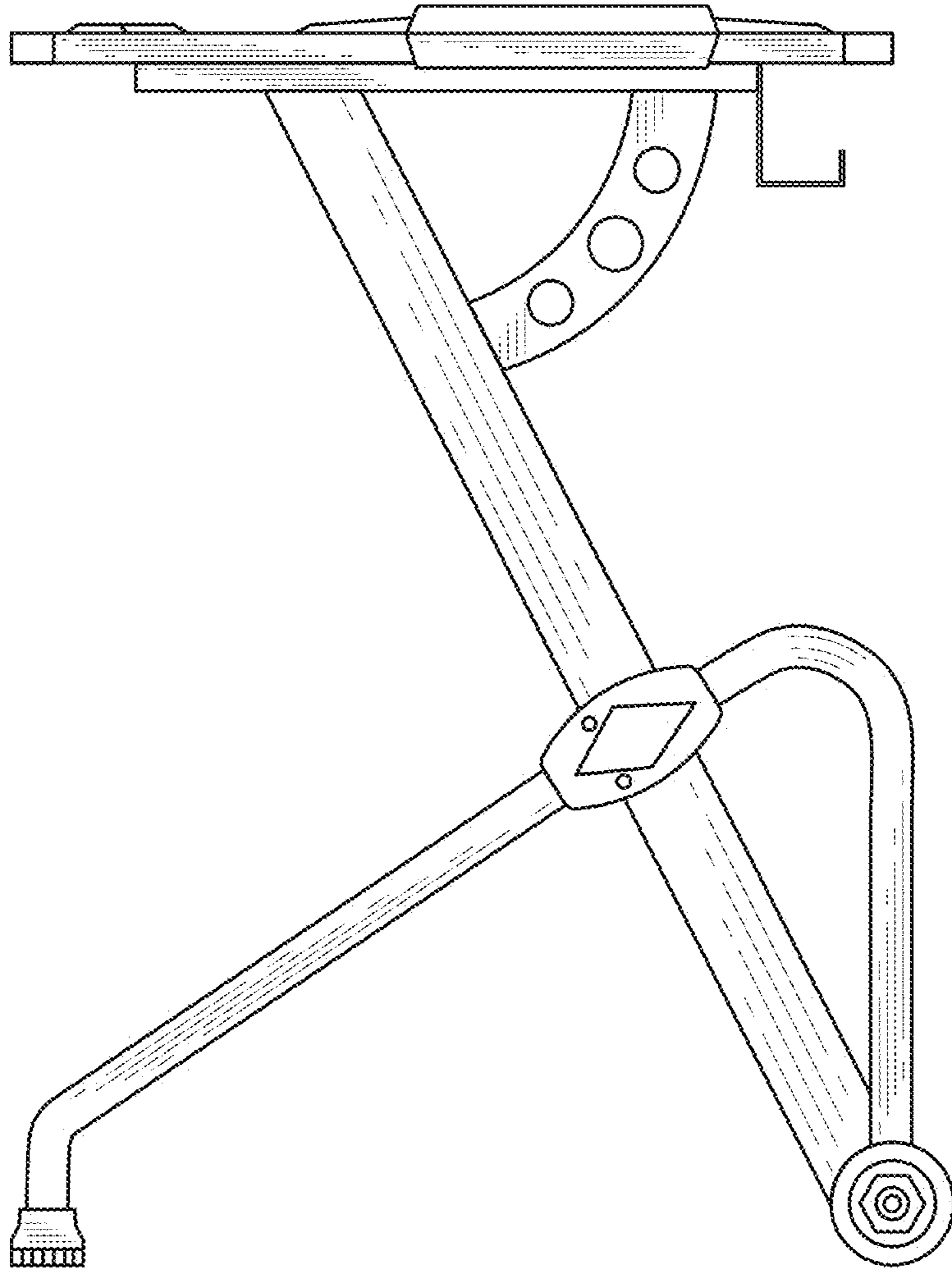


FIG. 4

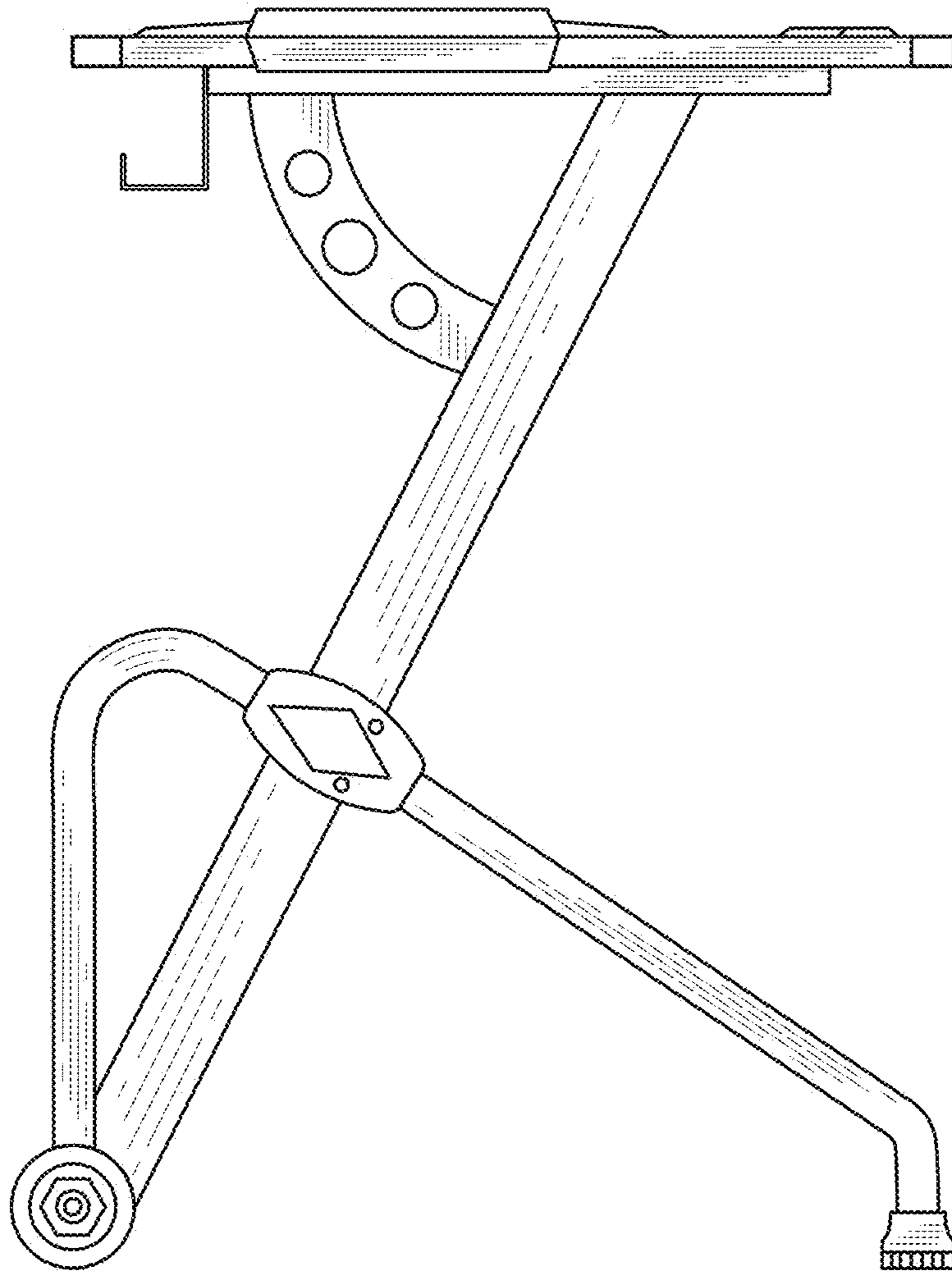


FIG. 5

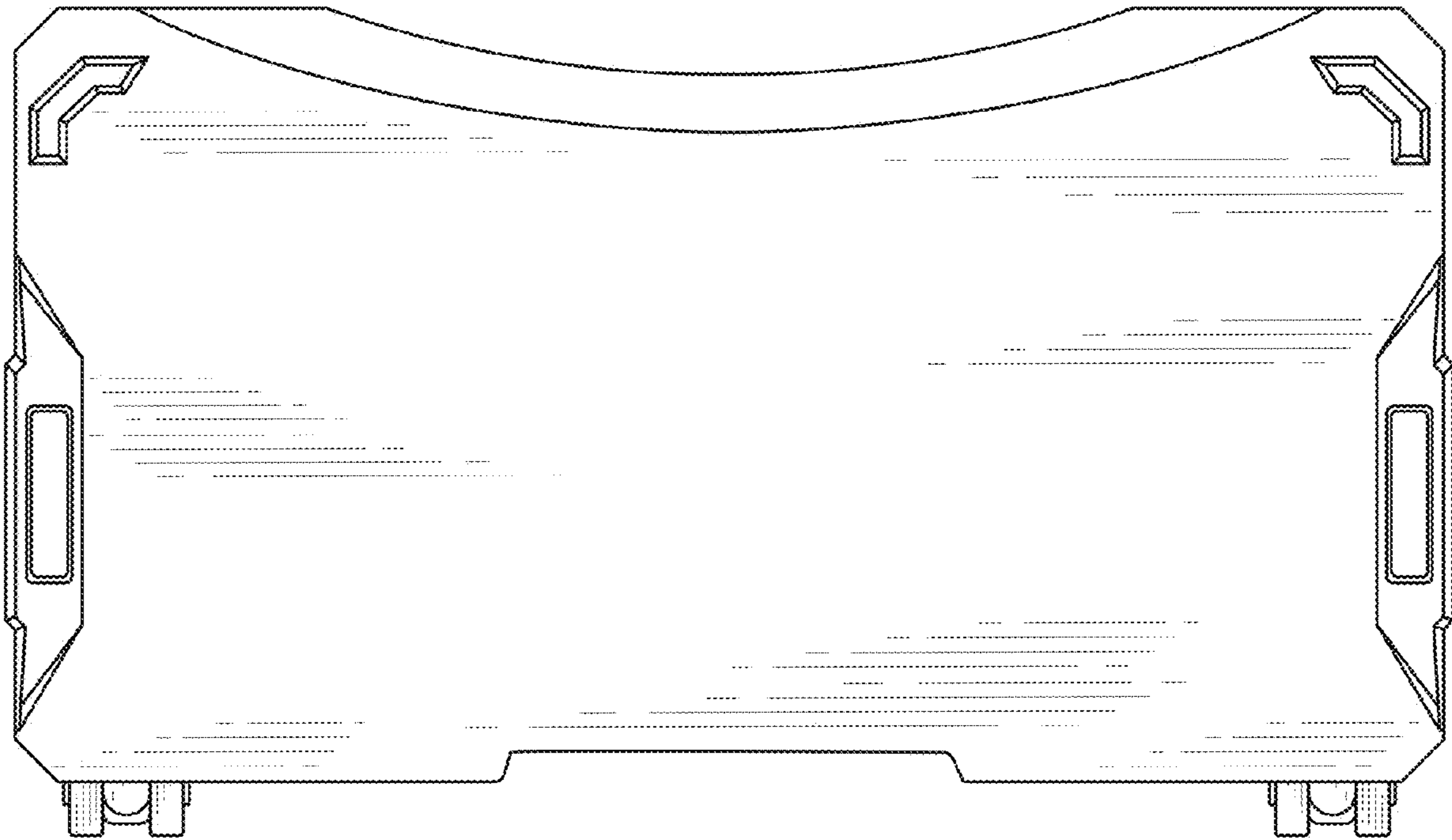


FIG. 6

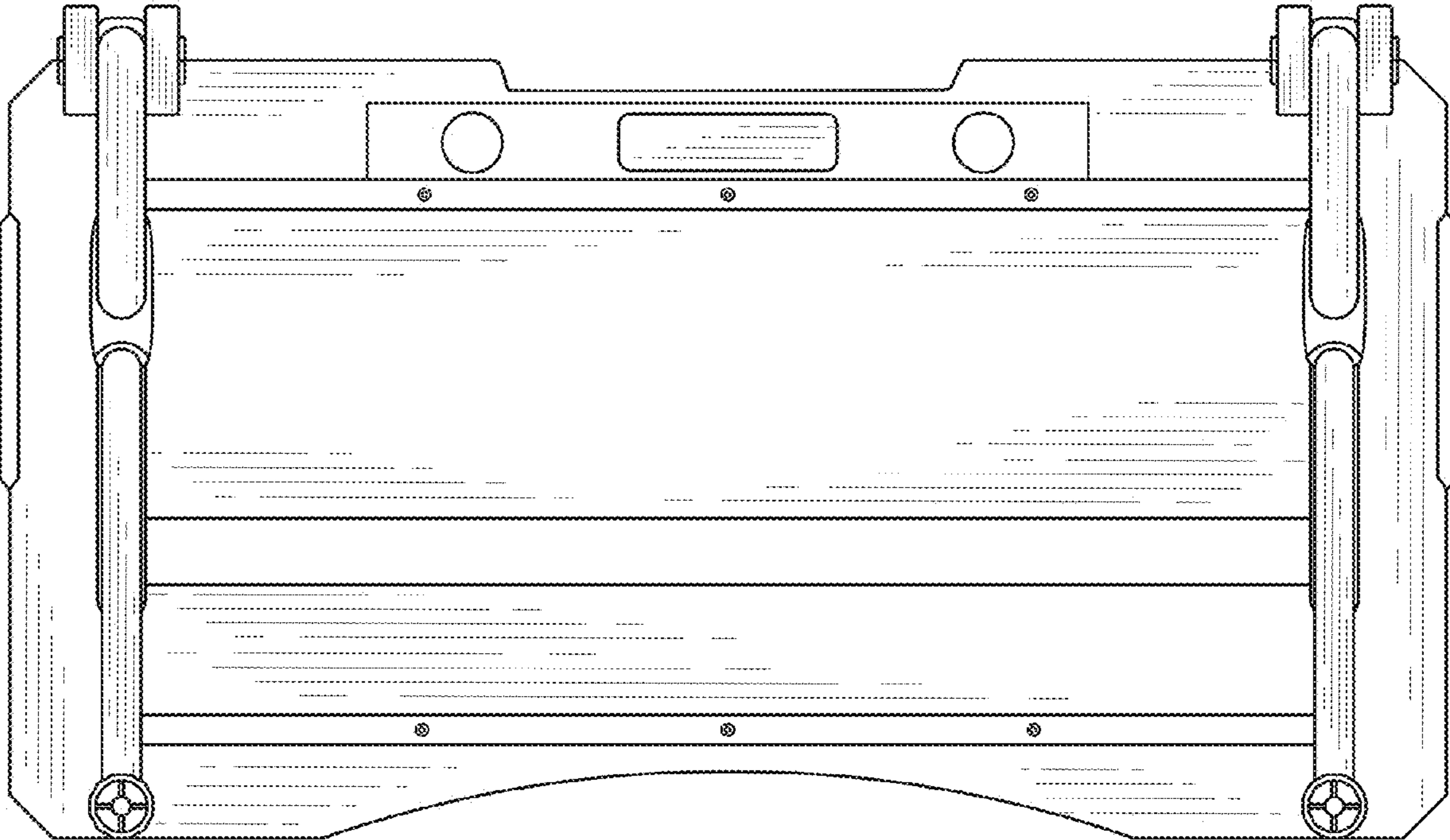


FIG. 7