



US00D942780S

(12) **United States Design Patent** (10) **Patent No.:** **US D942,780 S**
Li (45) **Date of Patent:** **** Feb. 8, 2022**

(54) **DESK**
(71) Applicant: **39F USA INC**, Rancho Cucamonga, CA (US)
(72) Inventor: **Yuehai Li**, Rancho Cucamonga, CA (US)
(**) Term: **15 Years**
(21) Appl. No.: **29/711,774**
(22) Filed: **Nov. 2, 2019**
(51) **LOC (13) Cl.** **06-03**
(52) **U.S. Cl.**
USPC **D6/655.18**
(58) **Field of Classification Search**
USPC D6/641, 642, 644, 647, 655, 655.1, D6/655.11, 655.12, 655.14, D6/655.16-655.19
CPC A47B 7/00; A47B 13/00; A47B 7/002; A47B 7/04; A47B 7/06; A47B 7/08; A47B 7/10; A47B 7/12; A47B 17/00; A47B 17/003; A47B 17/0033; A47B 17/006; A47B 21/00; A47B 21/0314; A47B 2021/0307; A47B 2021/0321; A47B 2021/0364; A47B 2200/0001; A47B 2200/0002; A47B 2200/0003; A47B 2200/0004; A47B 2200/0011; A47B 2200/002
See application file for complete search history.

D258,177 S * 2/1981 Baker D6/675.1
D306,539 S * 3/1990 Mergenov D6/692.2
D616,226 S * 5/2010 Calco D6/675.1
D891,838 S * 8/2020 Risdall D6/691.9
D904,809 S * 12/2020 Li D6/677.1

OTHER PUBLICATIONS

Alvis Oval Writing Desk, by Hekman—Perigold [https://www.perigold.com/furniture/pdp/hekman-alvis-oval-writing-desk-p001291590.html?piid=retrieved from the internet on Jun. 30, 2021](https://www.perigold.com/furniture/pdp/hekman-alvis-oval-writing-desk-p001291590.html?piid=retrieved%20from%20the%20internet%20on%20Jun.%2030%2C%202021).
Spectacular Sales for Waithe Oval Desk Mercer41—Better Homes & Gardens <https://www.bhg.com/shop/mercer41-waithe-oval-desk-mercer41-p04e9e613b55b19f578edfb6b34537143.html> retrieved from the internet on Jun. 30, 2021.*

* cited by examiner

Primary Examiner — Mary Ann Calabrese
(74) *Attorney, Agent, or Firm* — Feng Qian

(57) **CLAIM**

The ornamental design for a desk, as shown and described.

DESCRIPTION

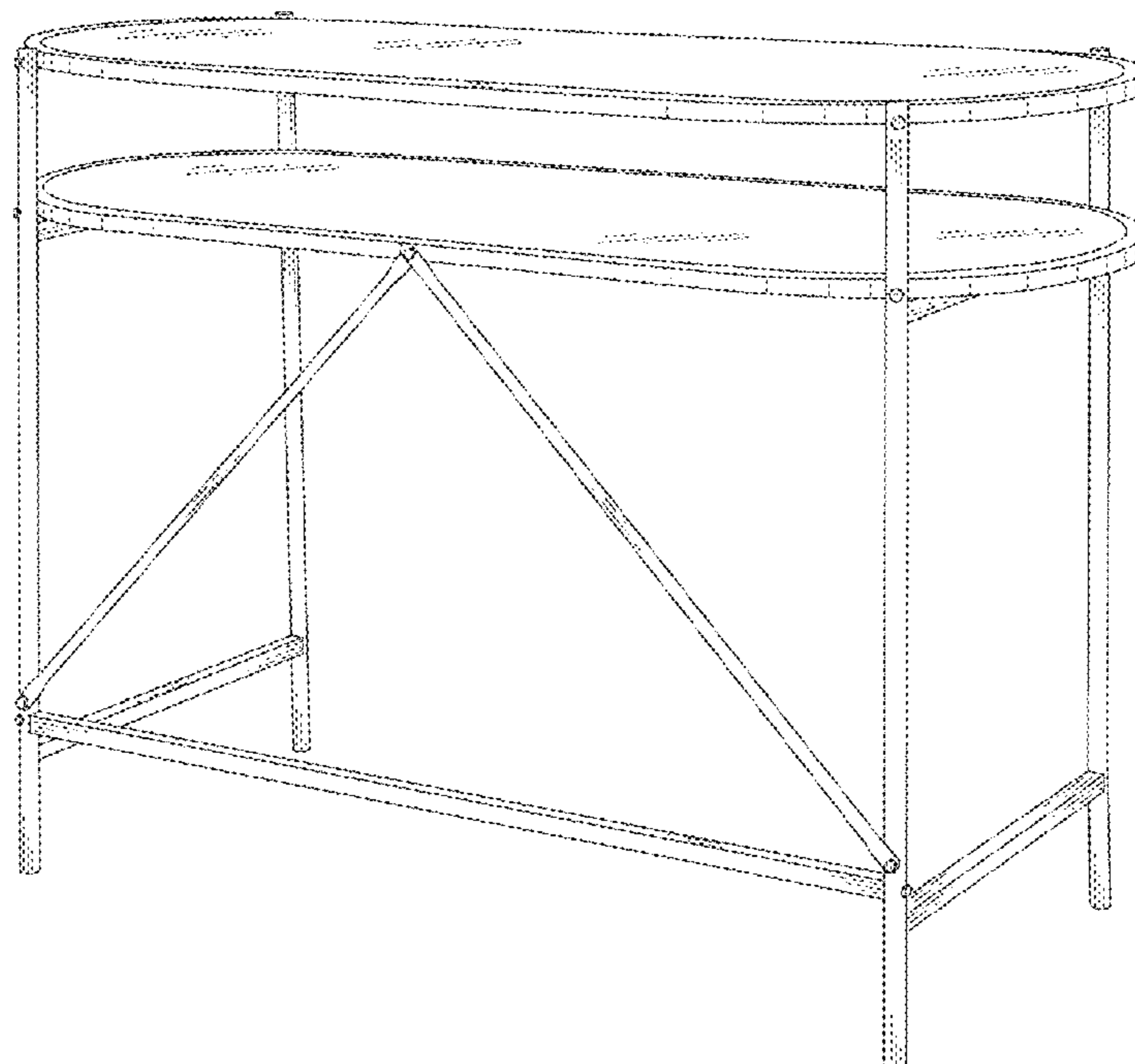
FIG. 1 is a front perspective view of a desk showing my new design;
FIG. 2 is a front elevation view thereof;
FIG. 3 is a rear elevation view thereof;
FIG. 4 is a left-side elevation view thereof;
FIG. 5 is a right-side elevation view thereof;
FIG. 6 is a top plan thereof; and,
FIG. 7 is a bottom plan view thereof.
The broken lines shown in the drawings are for the purpose of illustrating portions of the article, and form no part of the claimed design.

(56) **References Cited**

U.S. PATENT DOCUMENTS

D236,054 S * 7/1975 Ginat D6/677.1
3,910,206 A * 10/1975 Jay A47B 13/12
108/159

1 Claim, 7 Drawing Sheets



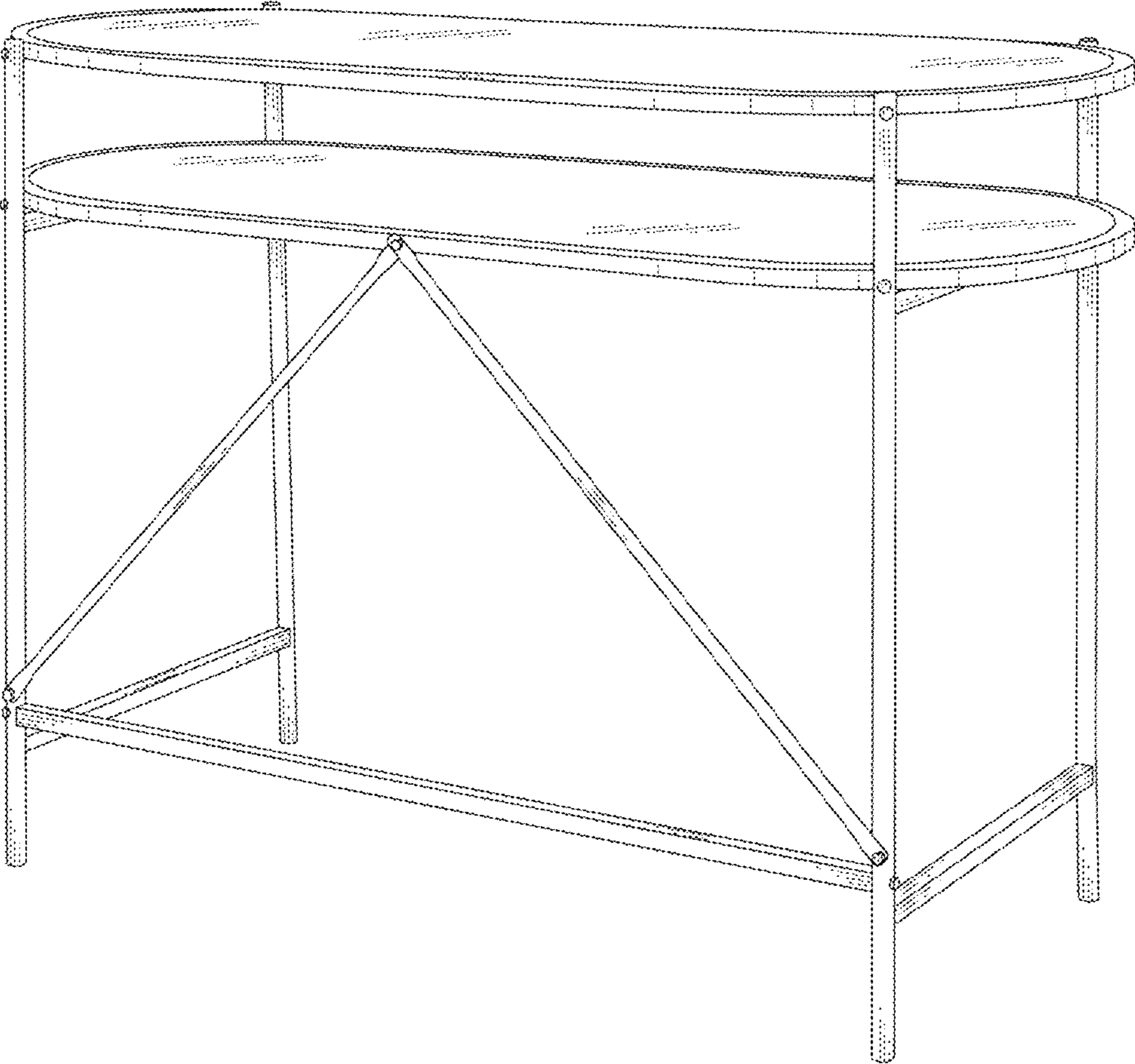


Fig.1

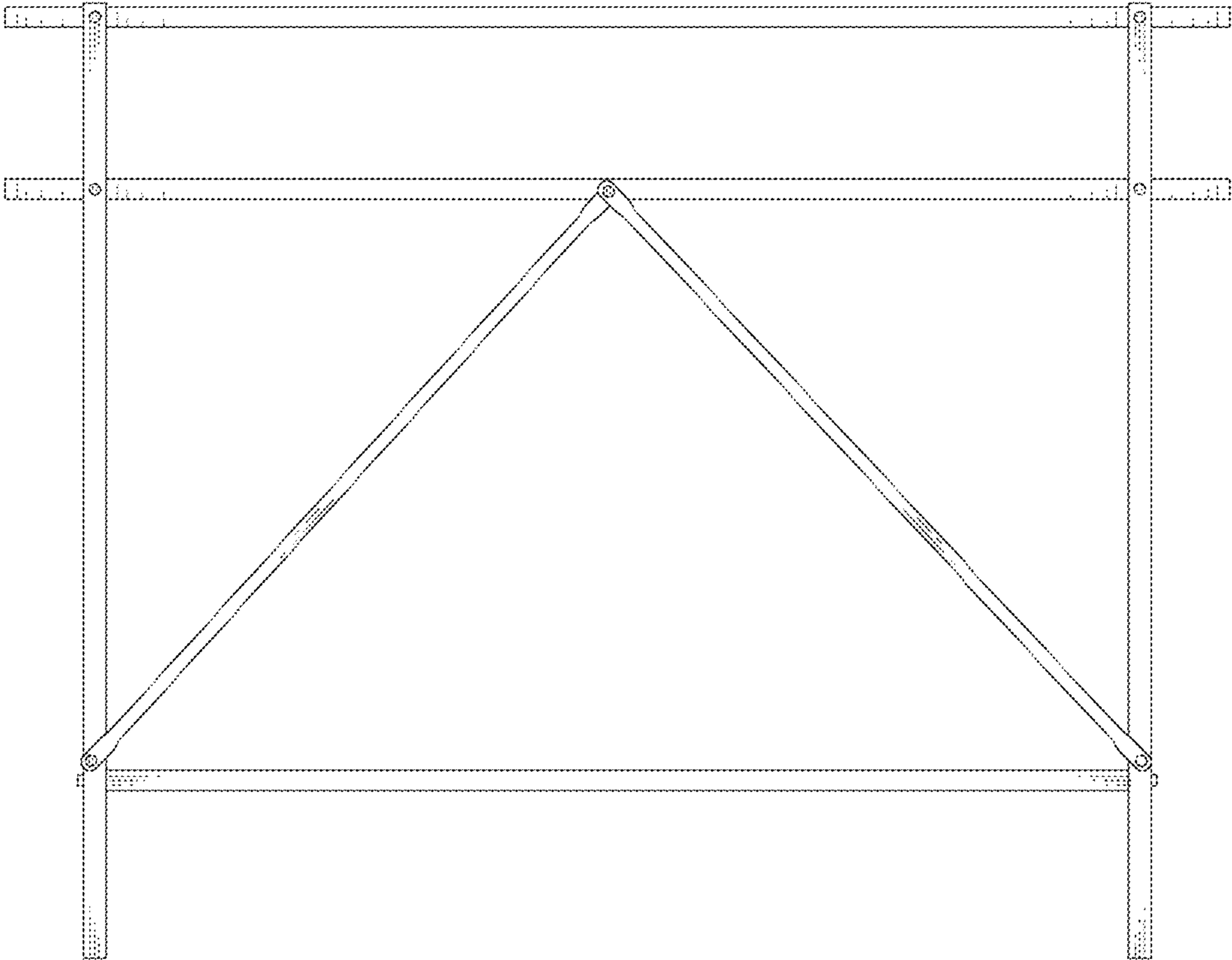


Fig.2

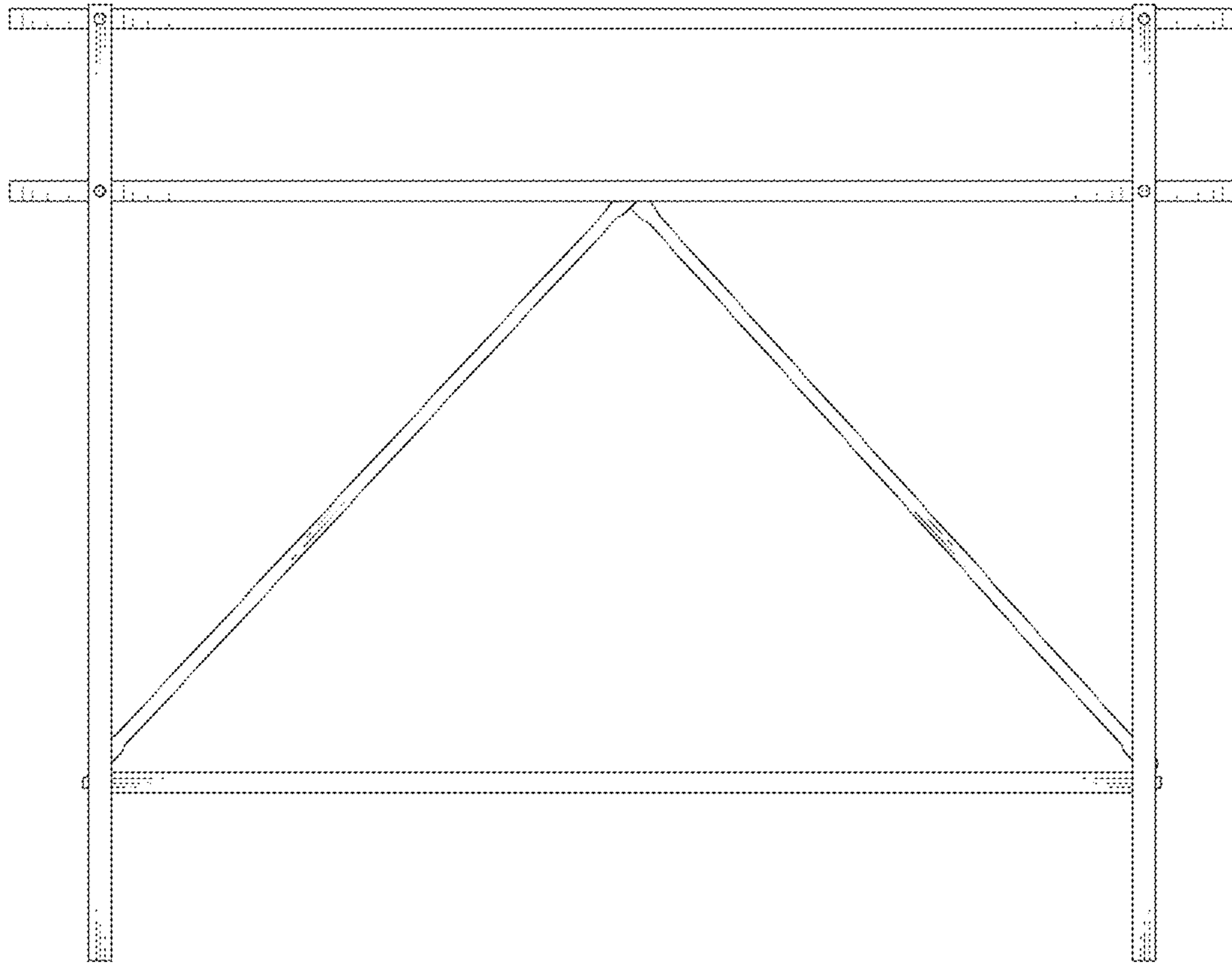


Fig.3

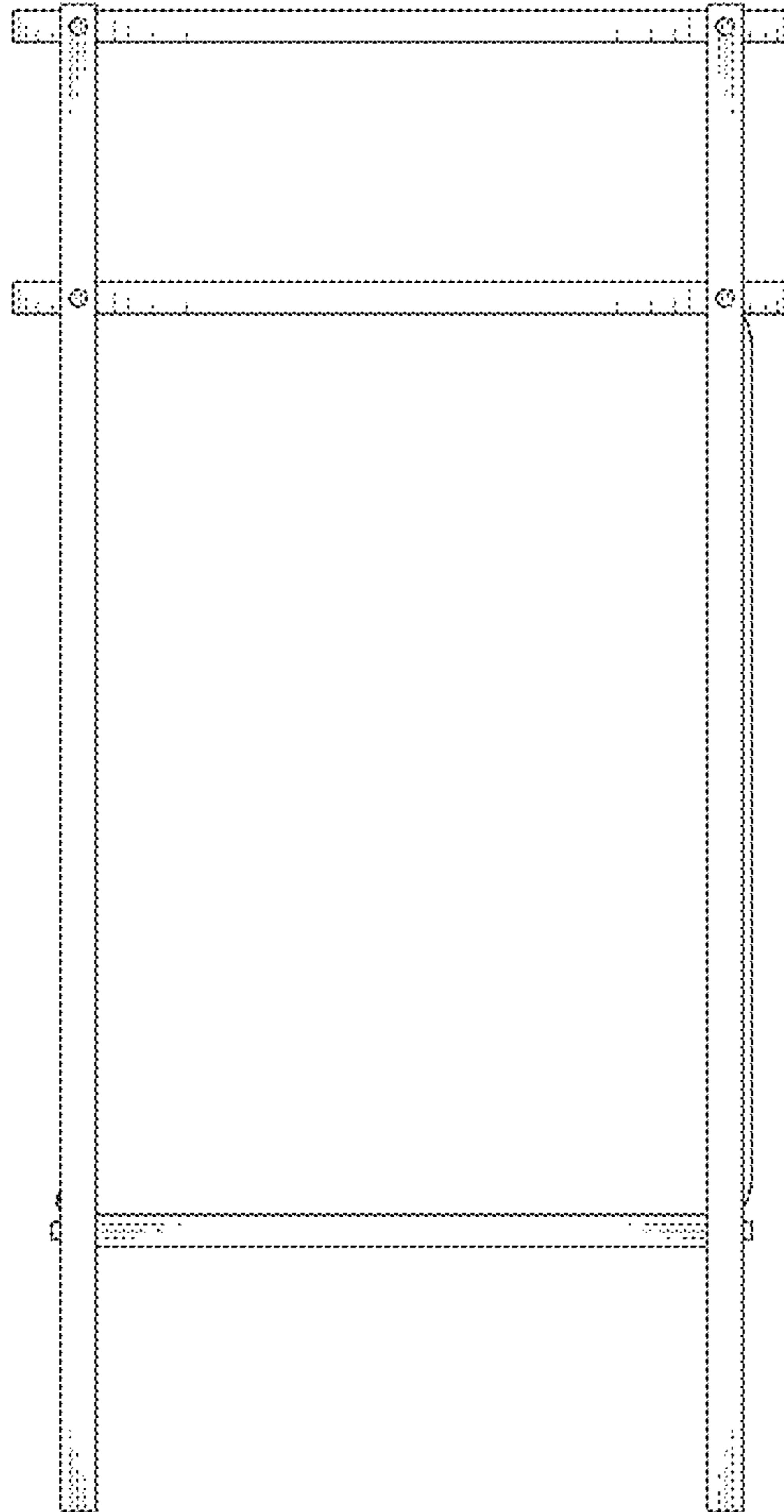


Fig.4

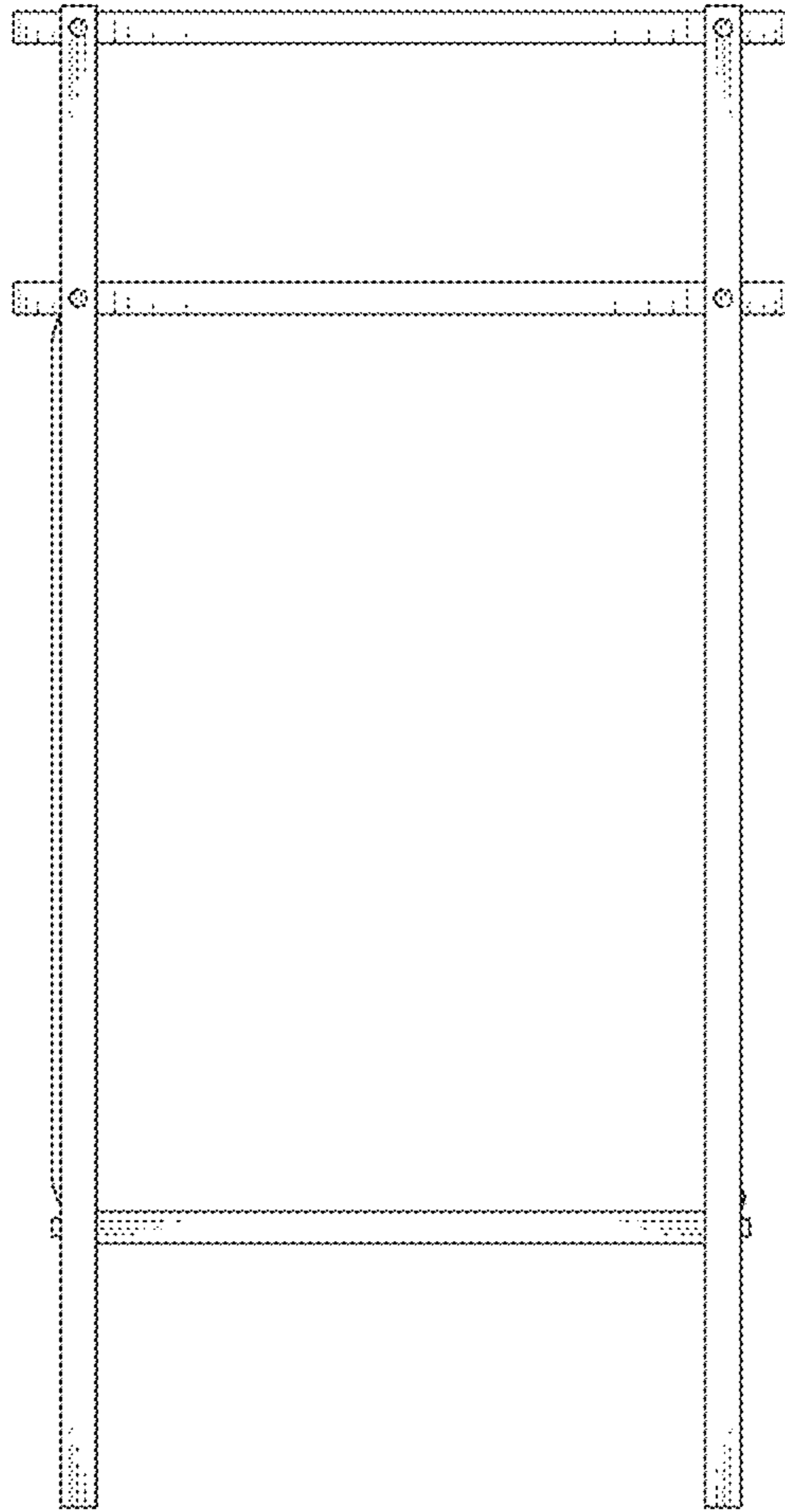


Fig.5

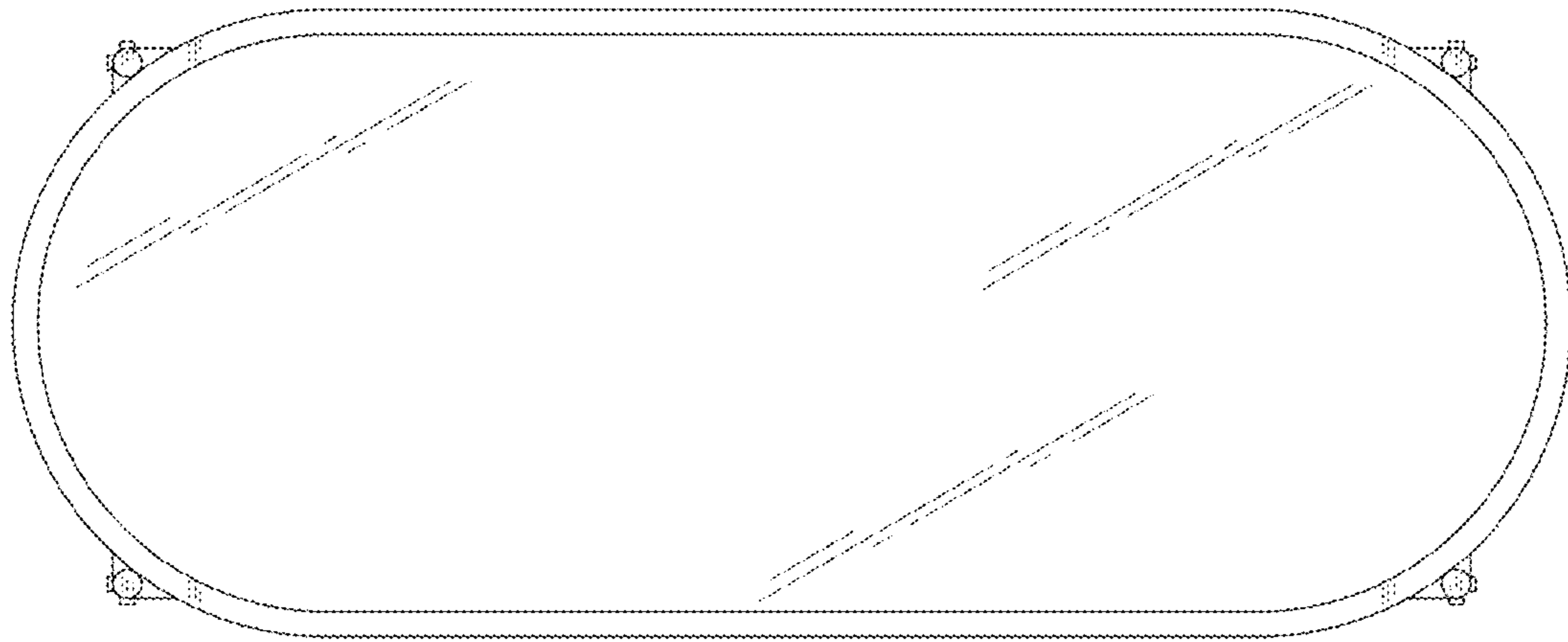


Fig.6

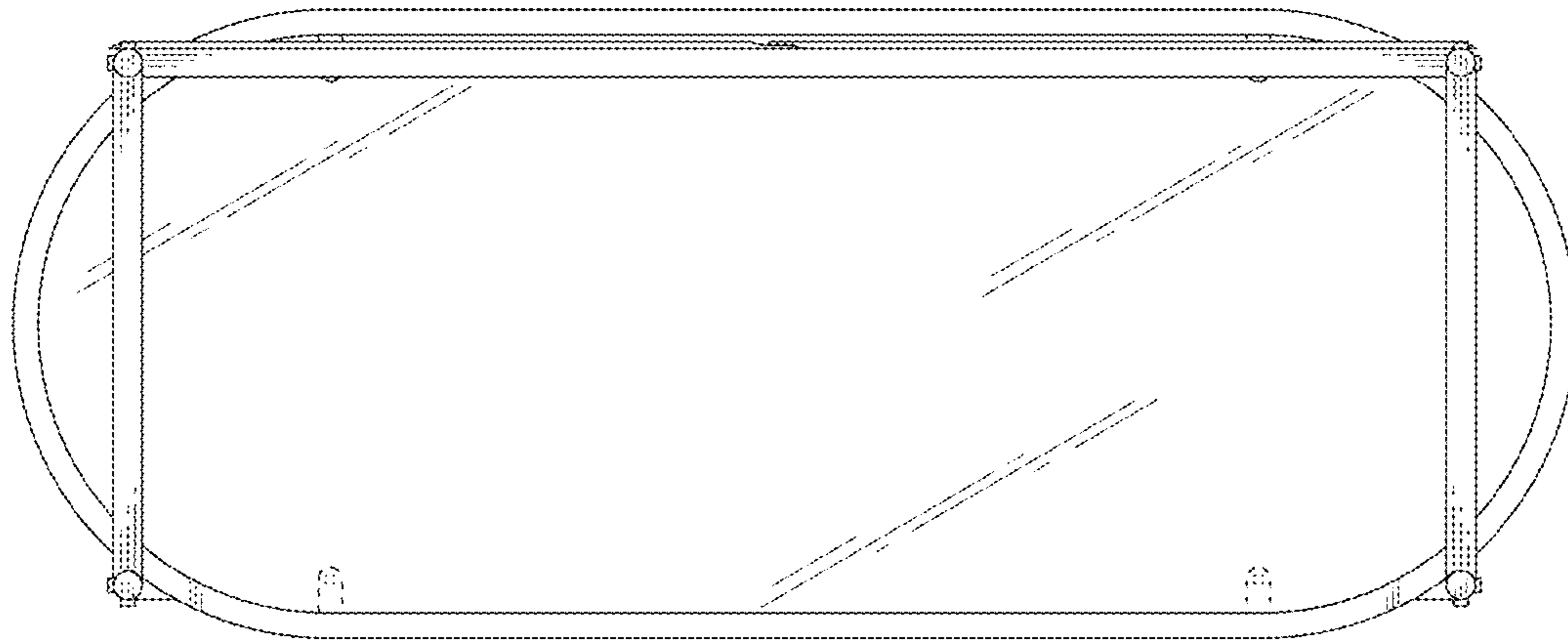


Fig.7