



US00D942779S

(12) **United States Design Patent** (10) **Patent No.:** **US D942,779 S**  
**Li** (45) **Date of Patent:** **\*\* Feb. 8, 2022**

(54) **DESK**

(71) Applicant: **39F USA INC**, Rancho Cucamonga, CA (US)

(72) Inventor: **Yuehai Li**, Rancho Cucamonga, CA (US)

(\*\*) Term: **15 Years**

(21) Appl. No.: **29/715,919**

(22) Filed: **Dec. 5, 2019**

(51) **LOC (13) Cl.** ..... **06-04**

(52) **U.S. Cl.**  
USPC ..... **D6/654.21**

(58) **Field of Classification Search**  
USPC ..... D6/641, 642, 654, 654.14–654.19, D6/654.21, 655, 653, 653.21  
CPC ..... A47B 7/00; A47B 13/00; A47B 13/02; A47B 13/04; A47B 13/06; A47B 13/08; A47B 13/10; A47B 13/12; A47B 17/00; A47B 17/003; A47B 17/006; A47B 17/033; A47B 17/06; A47B 21/00; A47B 21/0314; A47B 2021/0307; A47B 2021/0321; A47B 2021/0335; A47B 2021/0364; A47B 2200/0001; A47B 2200/0002; A47B 2200/0003; A47B 2200/0004; A47B 2200/0011; A47B 2200/002

See application file for complete search history.

(56) **References Cited**

U.S. PATENT DOCUMENTS

D283,094 S *	3/1986	Strand .....	D6/654
D315,261 S *	3/1991	Ng .....	D34/20
D334,856 S *	4/1993	Sielaff .....	D6/654
D414,350 S *	9/1999	Fear .....	D6/654.21
D435,368 S *	12/2000	Tzeng .....	D6/654
D585,663 S *	2/2009	Beckley .....	D6/707.15

\* cited by examiner

*Primary Examiner* — Mary Ann Calabrese

(74) *Attorney, Agent, or Firm* — Feng Qian

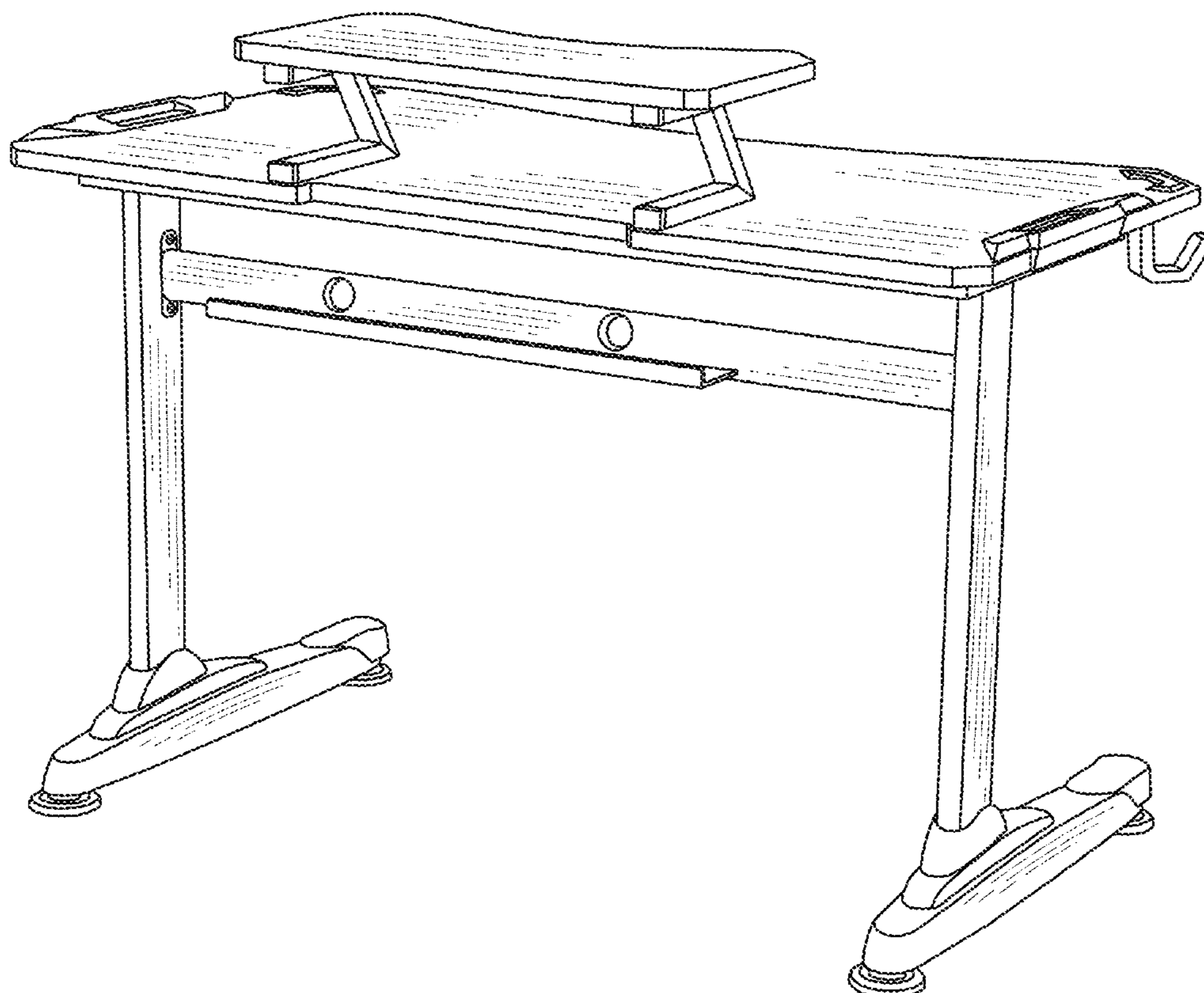
(57) **CLAIM**

The ornamental design for a desk, as shown and described.

**DESCRIPTION**

FIG. 1 is a rear perspective view of a desk showing my new design;  
FIG. 2 is a front elevation view thereof;  
FIG. 3 is a rear elevation view thereof;  
FIG. 4 is a left-side elevation view thereof;  
FIG. 5 is a right-side elevation view thereof;  
FIG. 6 is a top plan view thereof; and,  
FIG. 7 is a bottom plan view thereof.  
The broken lines shown in the drawings are for the purpose of illustrating portions of the article, and form no part of the claimed design.

**1 Claim, 7 Drawing Sheets**



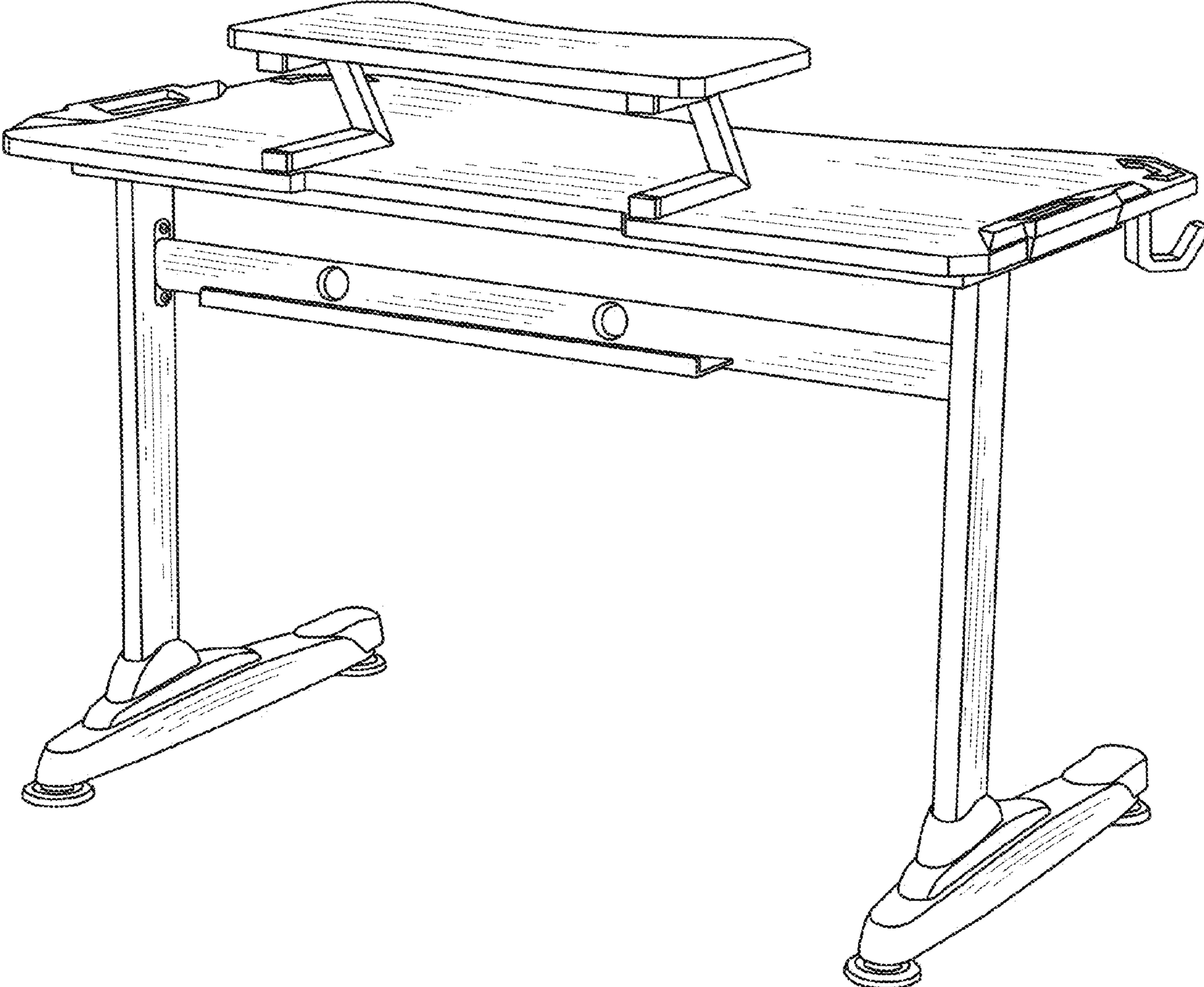


FIG. 1

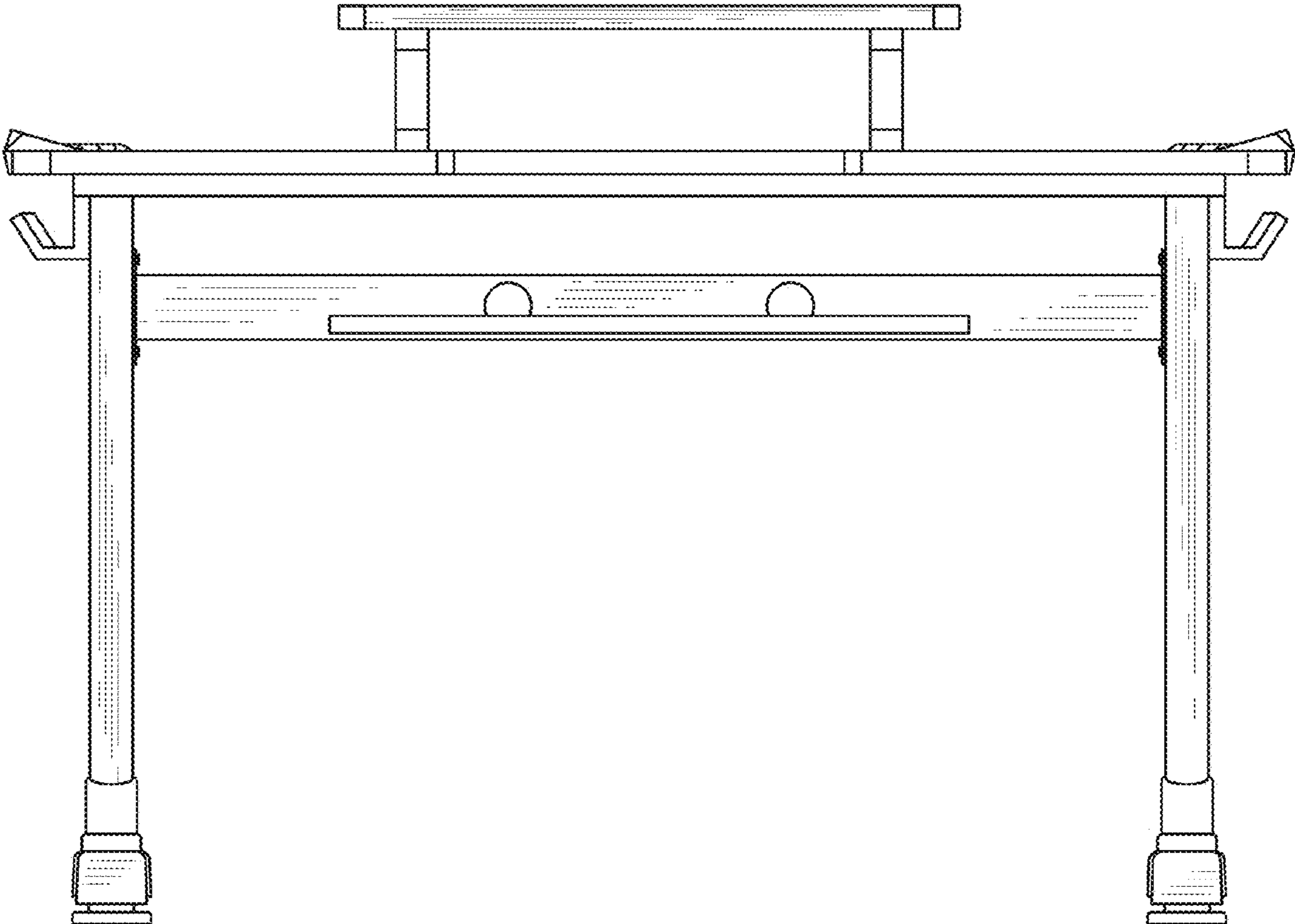


FIG. 2

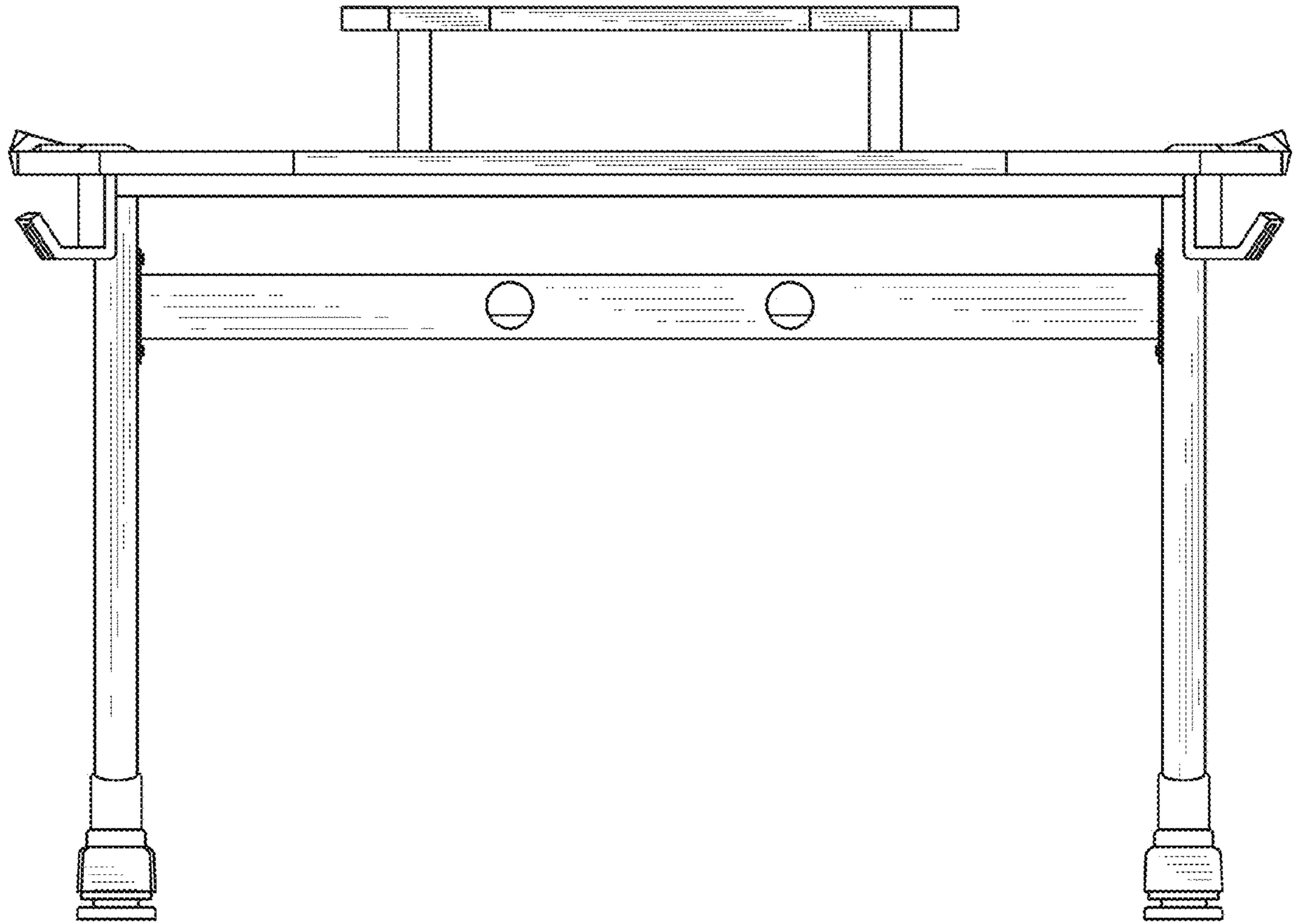


FIG. 3

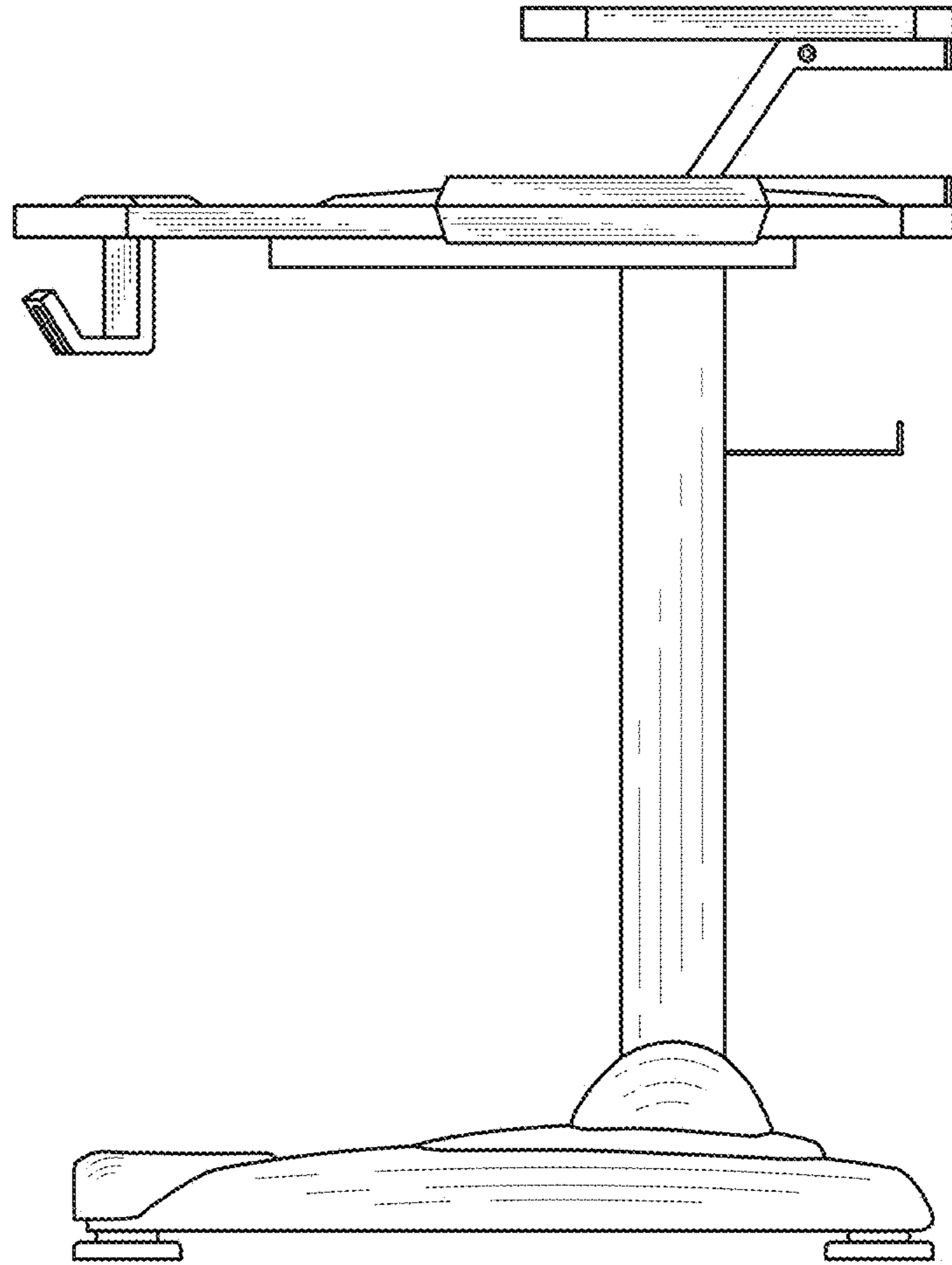


FIG. 4

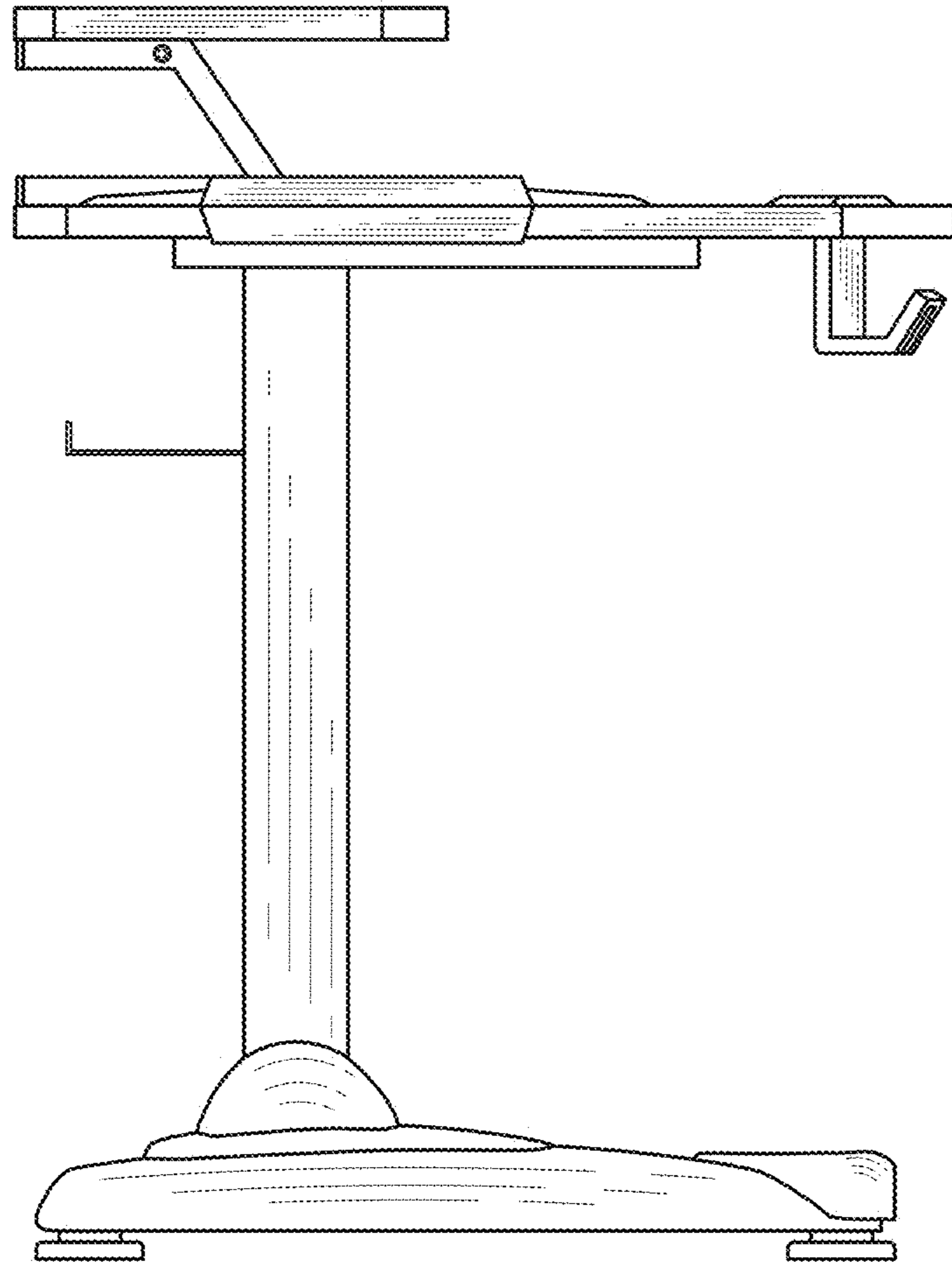


FIG. 5

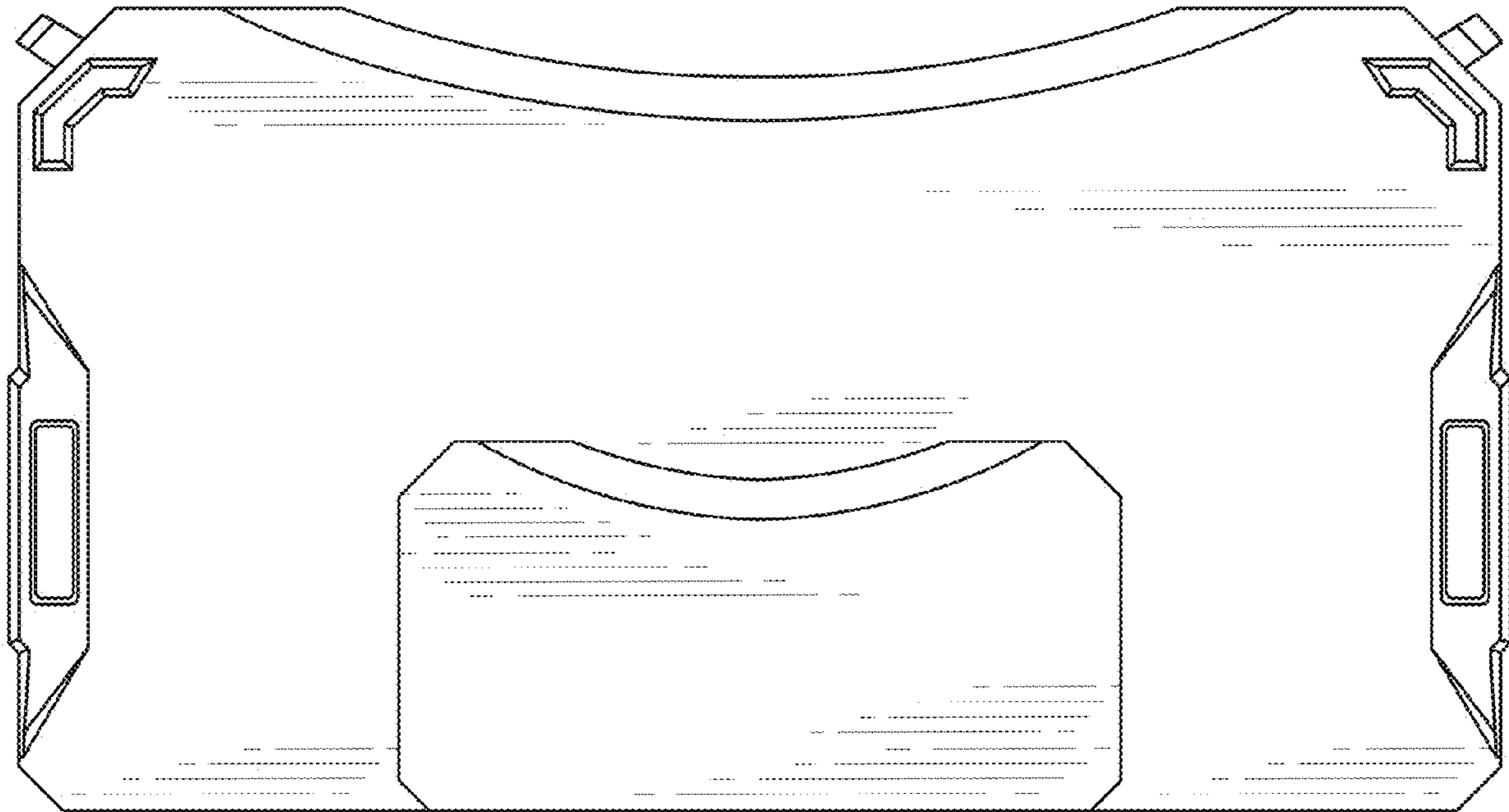


FIG. 6

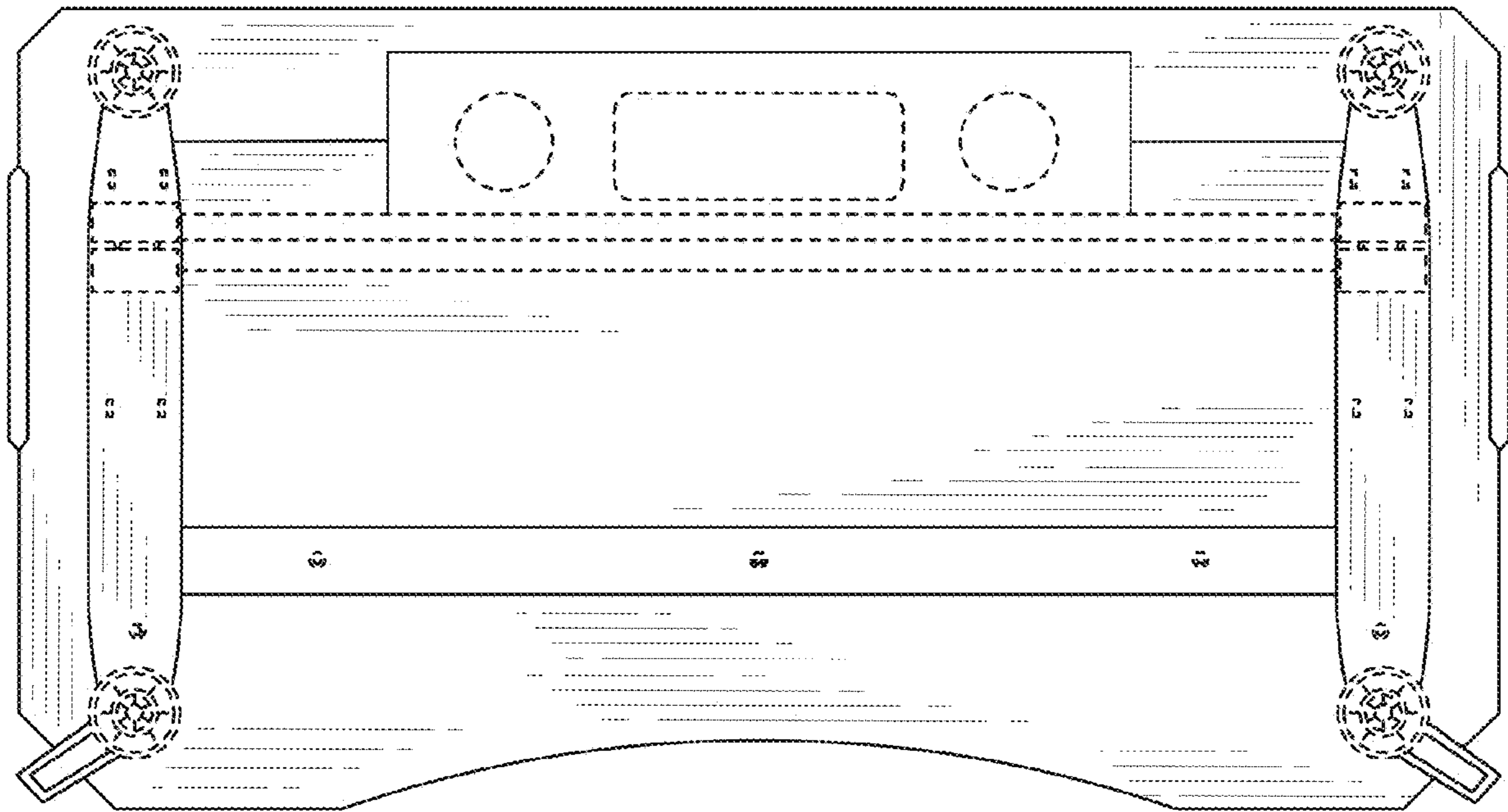


FIG. 7