



US00D942778S

(12) **United States Design Patent**
Song

(10) **Patent No.:** **US D942,778 S**

(45) **Date of Patent:** **** Feb. 8, 2022**

(54) **INFLATABLE MATTRESS**
(71) Applicant: **Dongguan Yehu Outdoor Products Co., Ltd.**, Guangdong (CN)
(72) Inventor: **Shengping Song**, Hunan Province (CN)
(**) Term: **15 Years**
(21) Appl. No.: **29/760,404**
(22) Filed: **Dec. 1, 2020**

D343,980 S * 2/1994 Torchia D21/809
D366,084 S * 1/1996 Wolfe D21/809
D471,051 S * 3/2003 Cook D6/604
D474,061 S * 5/2003 Cook D6/604
D509,698 S * 9/2005 Torres D6/604
D688,899 S * 9/2013 Chiang D6/604
D861,378 S * 10/2019 Pally D6/604
D863,829 S * 10/2019 Huang D6/604
D883,715 S * 5/2020 Zhu D6/604
D898,458 S * 10/2020 Huang D6/604
D899,150 S * 10/2020 Cheng D6/605
D921,400 S * 6/2021 He D6/604
D923,973 S * 7/2021 Yuan D6/604
D931,014 S * 9/2021 Shi D6/604

(30) **Foreign Application Priority Data**

Oct. 19, 2020 (CN) 202030621890.4

(51) **LOC (13) Cl.** **06-09**

(52) **U.S. Cl.**
USPC **D6/604**

(58) **Field of Classification Search**

USPC D6/333, 349, 355, 375, 388, 512, 563,
D6/564, 595, 596, 601, 604, 611, 707,
D6/715, 716, 716.1; D24/183-185, 234;
D21/803, 804, 805, 809

CPC A47G 9/10; A47G 9/1009; A47G 9/1027;
A47G 9/1045; A47G 9/1063; A47G
9/1072; A47G 9/1081

See application file for complete search history.

(56) **References Cited**

U.S. PATENT DOCUMENTS

D300,194 S * 3/1989 Walker D6/604
D310,313 S * 9/1990 Afeyan D21/809

* cited by examiner

Primary Examiner — Jennifer L Rempfer

(57) **CLAIM**

The ornamental design for an inflatable mattress, as shown and described.

DESCRIPTION

FIG. 1 is a Front view of an inflatable mattress showing my new design;

FIG. 2 is a Rear view thereof;

FIG. 3 is a Left side view thereof;

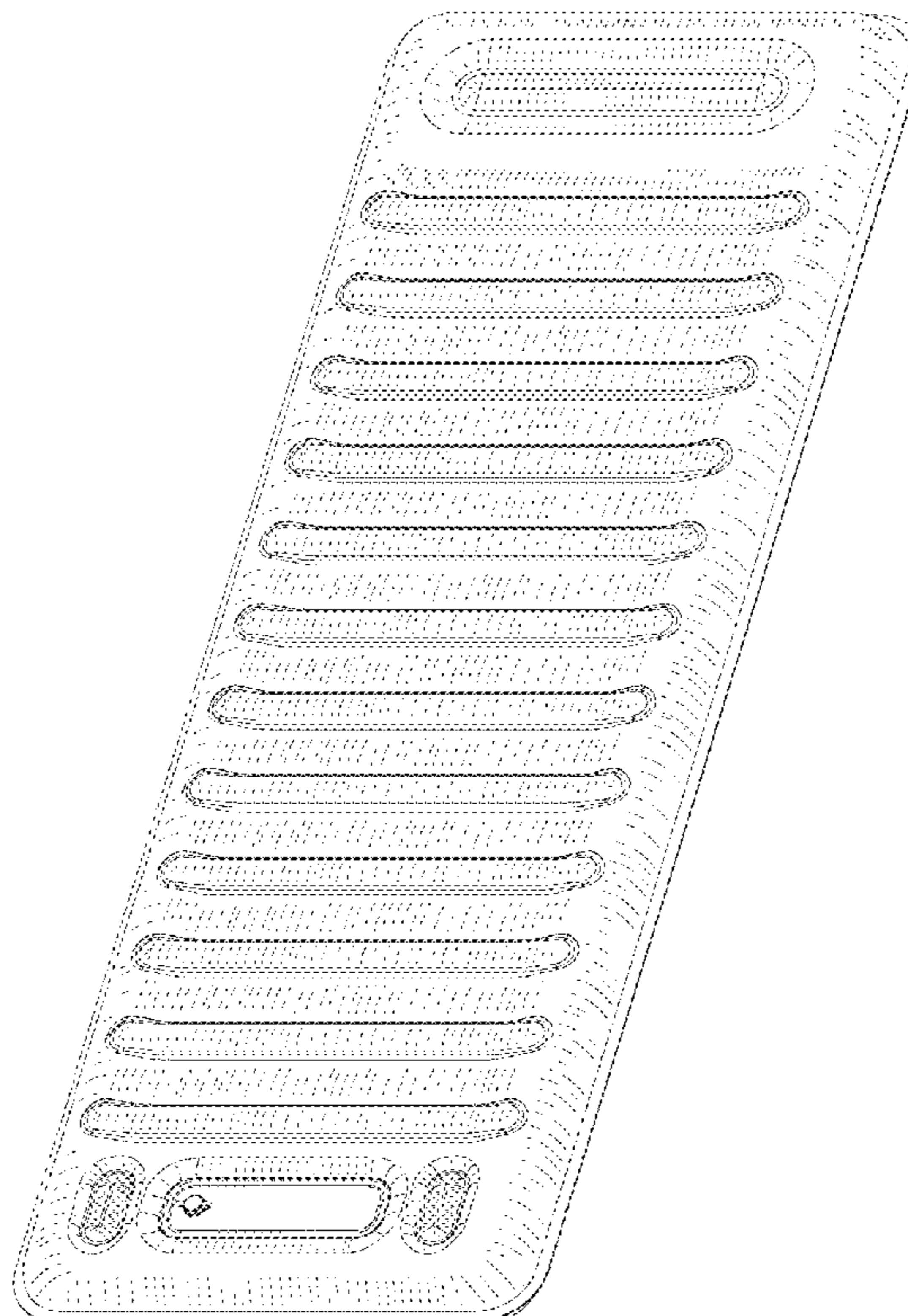
FIG. 4 is a Right side view thereof;

FIG. 5 is a Top plan view thereof;

FIG. 6 is a Bottom plan view thereof; and,

FIG. 7 is a Perspective view thereof.

1 Claim, 7 Drawing Sheets



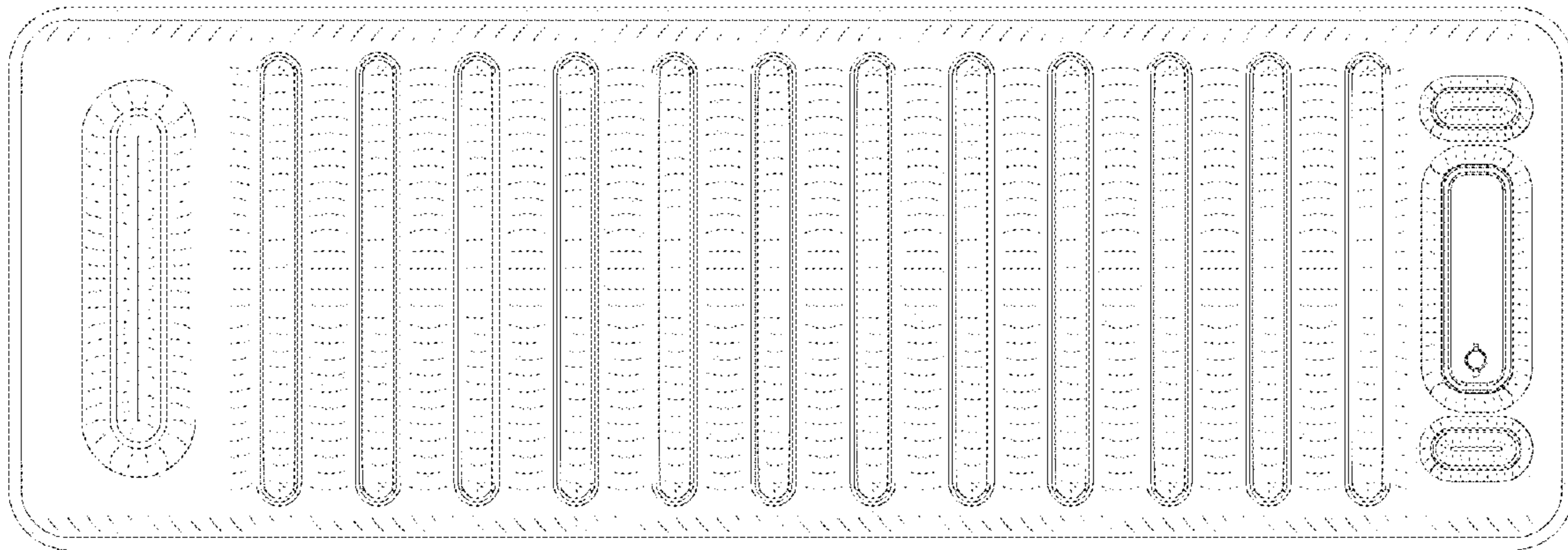


FIG 1

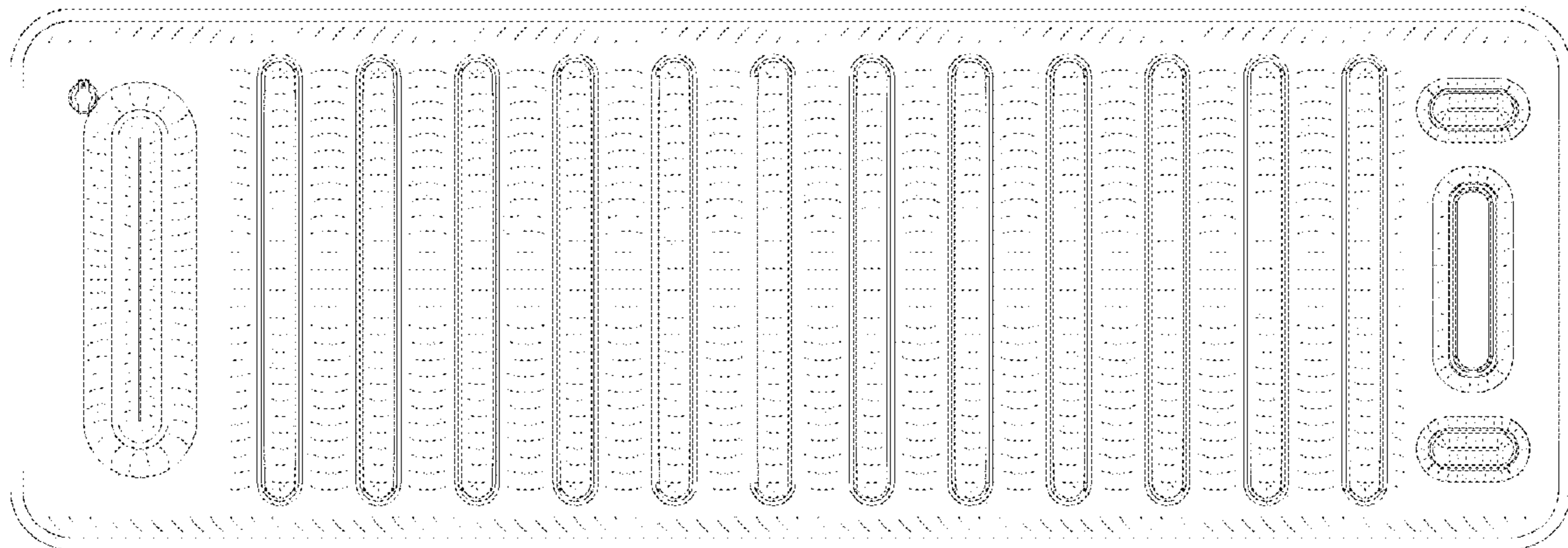


FIG 2

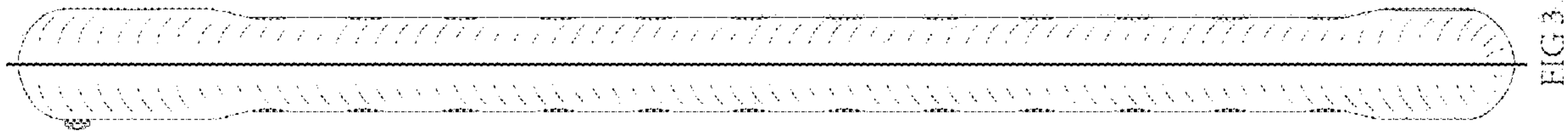


FIG. 3

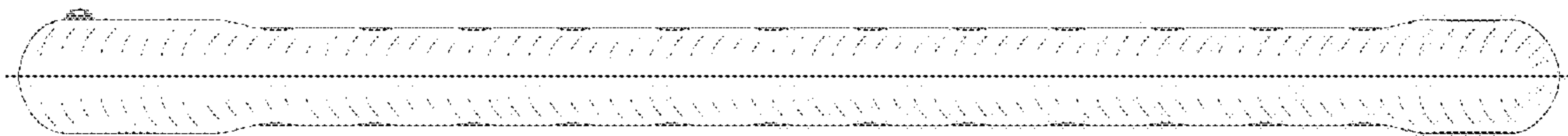


FIG. 3

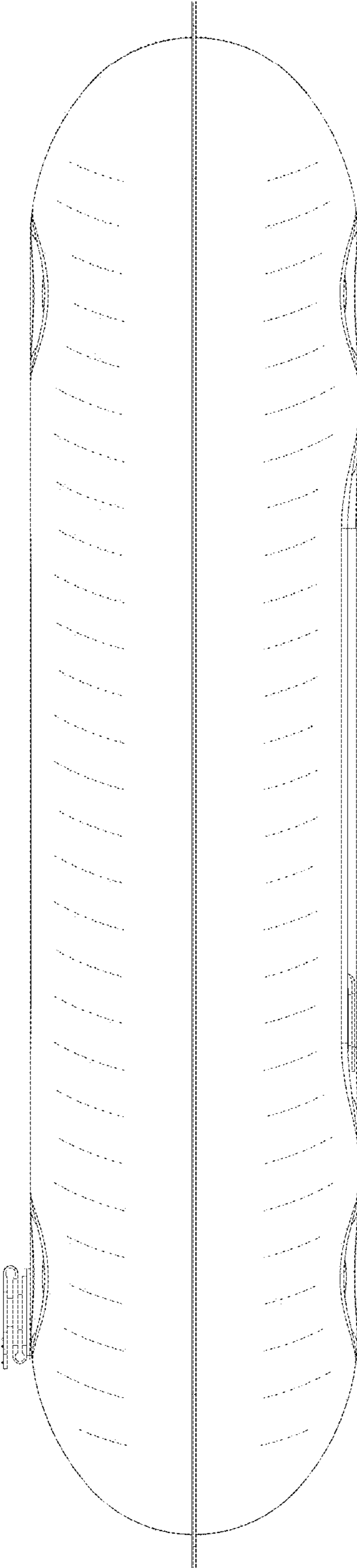


FIG 5

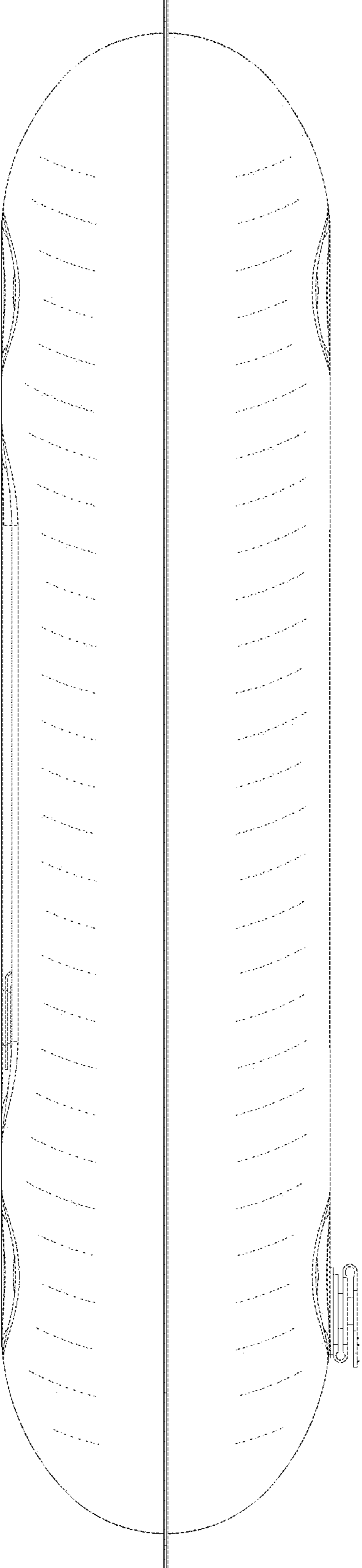


FIG 6

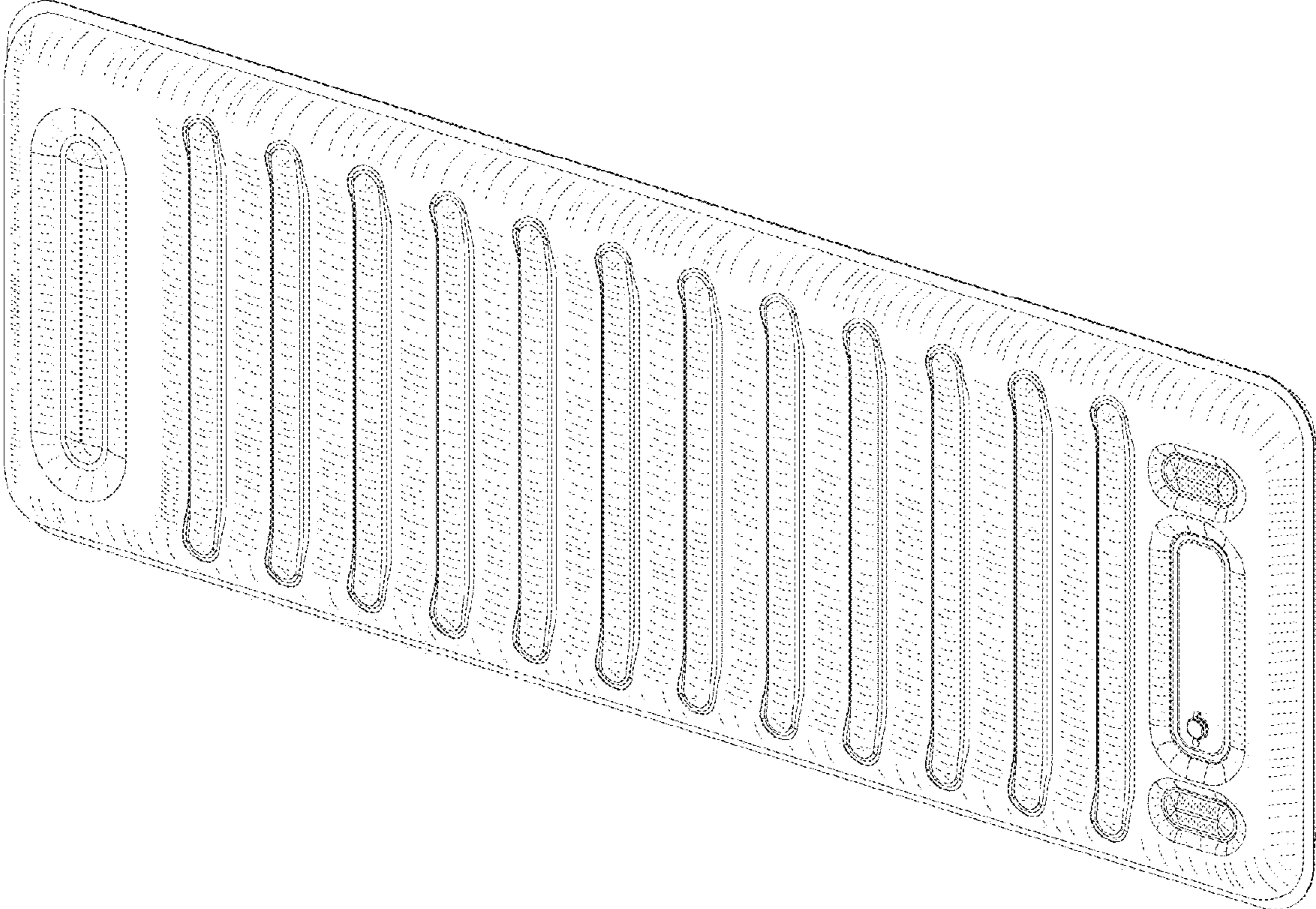


FIG 7