

US00D942776S

(12) **United States Design Patent**
Choi

(10) **Patent No.:** **US D942,776 S**
(45) **Date of Patent:** **** Feb. 8, 2022**

- (54) **INDOOR MAT**
- (71) Applicant: **Hak Kyu Kim**, Paju-si (KR)
- (72) Inventor: **Sang Ghil Choi**, Paju-si (KR)
- (73) Assignee: **Hak Kyu Kim**, Paju-si (KR)
- (**) Term: **15 Years**
- (21) Appl. No.: **29/710,829**
- (22) Filed: **Oct. 25, 2019**
- (30) **Foreign Application Priority Data**
Oct. 16, 2019 (KR) 30-2019-0049186
- (51) **LOC (13) Cl.** **06-11**
- (52) **U.S. Cl.**
USPC **D6/582**; D6/596
- (58) **Field of Classification Search**
USPC D6/582-588, 592, 596; D12/203;
D24/212; D32/57
CPC A47G 27/0206; A47G 27/0212; A47G
27/0218; A47G 27/0225; A47G 27/0237;
A47G 9/062; A47K 3/002; A47K 7/026;
A47L 23/26; A47L 23/266; A63B
21/4037; A63B 6/00; A63B 23/0464
See application file for complete search history.

- (56) **References Cited**
U.S. PATENT DOCUMENTS
3,696,459 A * 10/1972 Kucera A47L 23/266
15/104.92
4,793,018 A * 12/1988 Ehrich A47L 23/266
134/184
4,827,542 A * 5/1989 Kurtenbach A47D 7/04
5/93.1
4,999,863 A * 3/1991 Kane A45C 9/00
190/2

- 5,351,348 A * 10/1994 Beger A47D 5/006
5/420
- 5,473,785 A * 12/1995 Lager A47D 9/005
5/420
- 6,146,588 A * 11/2000 Deighton A01N 25/00
15/104.92
- 6,408,463 B1 * 6/2002 Palacio A47D 13/066
5/424
- D467,117 S * 12/2002 Guy A01N 25/00
D6/596
- 6,651,288 B1 * 11/2003 Hackett A47L 23/266
15/104.92
- D555,302 S * 11/2007 Bohnen A47D 5/006
D32/1
- D636,622 S * 4/2011 Quinter A45C 9/00
D6/595
- 8,844,549 B2 * 9/2014 Mohamed A47D 13/066
135/96
- D804,747 S * 12/2017 Wright D30/199
- 10,206,370 B2 * 2/2019 Huang A01K 1/0114
- D882,889 S * 4/2020 Castelluccio D30/161

(Continued)

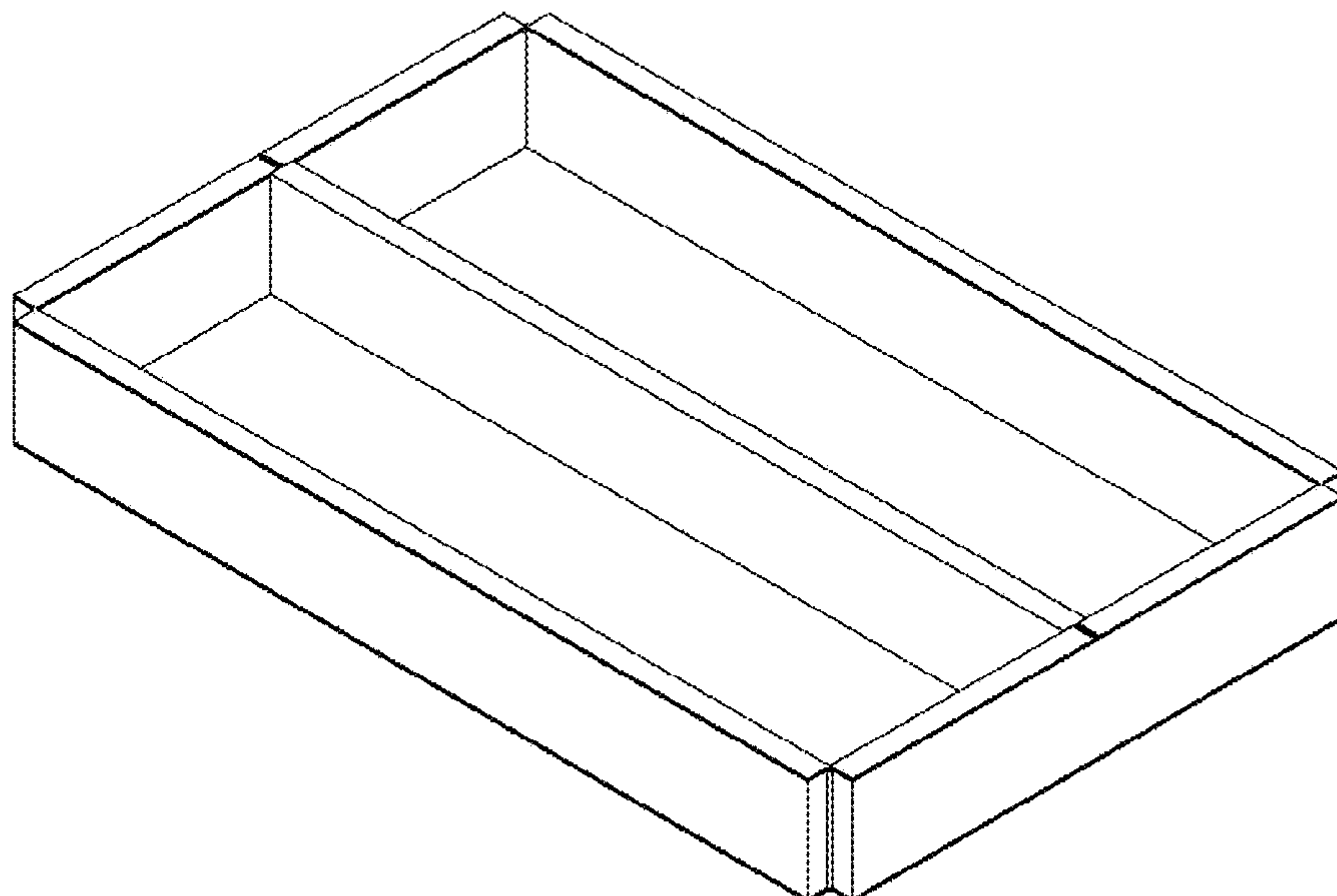
Primary Examiner — Kevin K Rudzinski
Assistant Examiner — Clare Ann Gannon
(74) *Attorney, Agent, or Firm* — Novick, Kim & Lee,
PLLC; Jae Youn Kim; Hyun Woo Shin

(57) **CLAIM**
I claim, the ornamental design for an indoor mat, as shown and described.

DESCRIPTION

FIG. 1 is a perspective view of a indoor mat, showing my new design;
FIG. 2 is a front elevational view thereof;
FIG. 3 is a rear elevational view thereof;
FIG. 4 is a left side elevational view thereof;
FIG. 5 is a right side elevational view thereof;
FIG. 6 is a top plan view thereof; and,
FIG. 7 is a bottom plan view thereof.

1 Claim, 4 Drawing Sheets



(56)

References Cited

U.S. PATENT DOCUMENTS

2015/0047570 A1* 2/2015 Abe A01K 1/0125
119/168

* cited by examiner

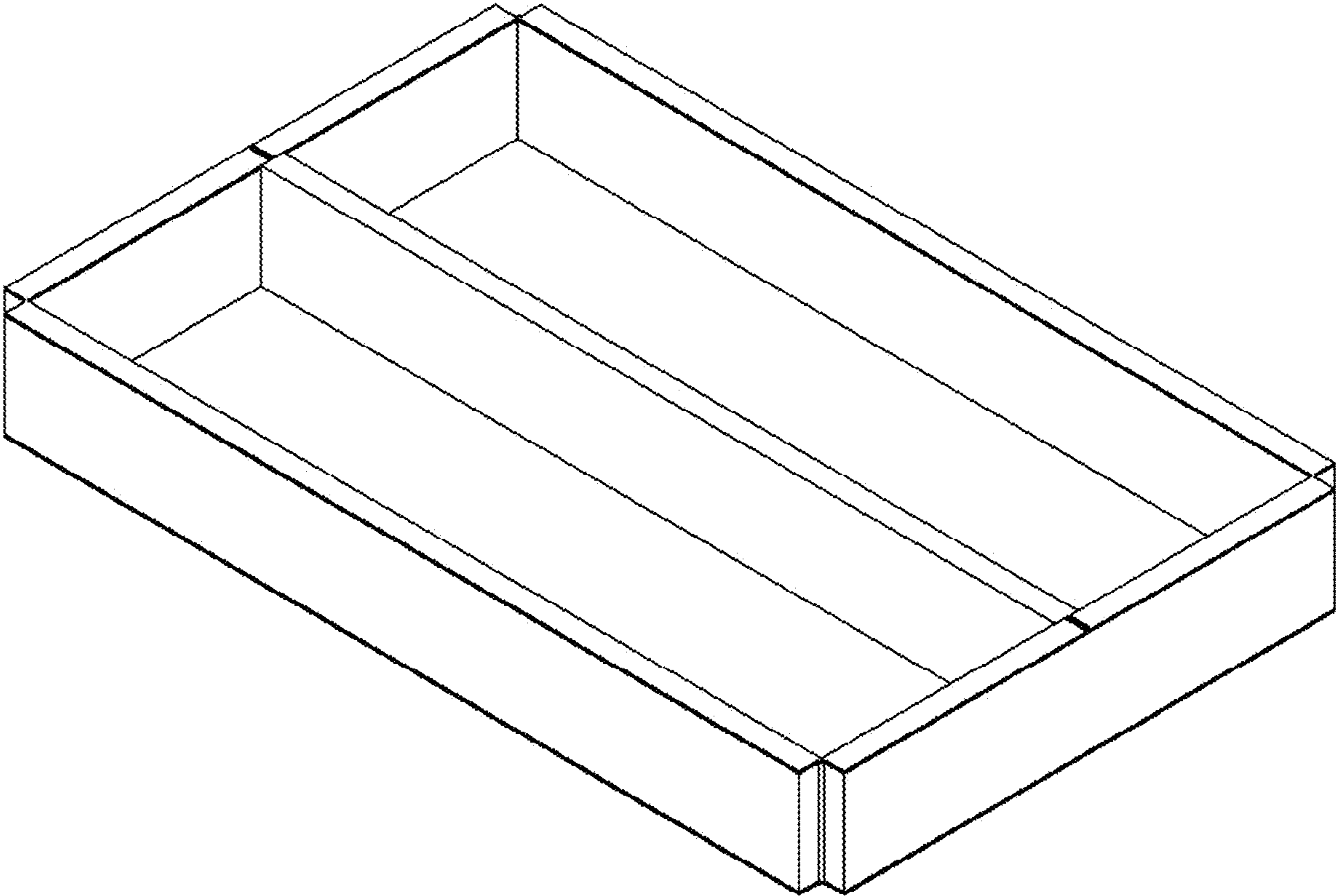


FIG. 1



FIG. 2



FIG. 3



FIG. 4



FIG. 5

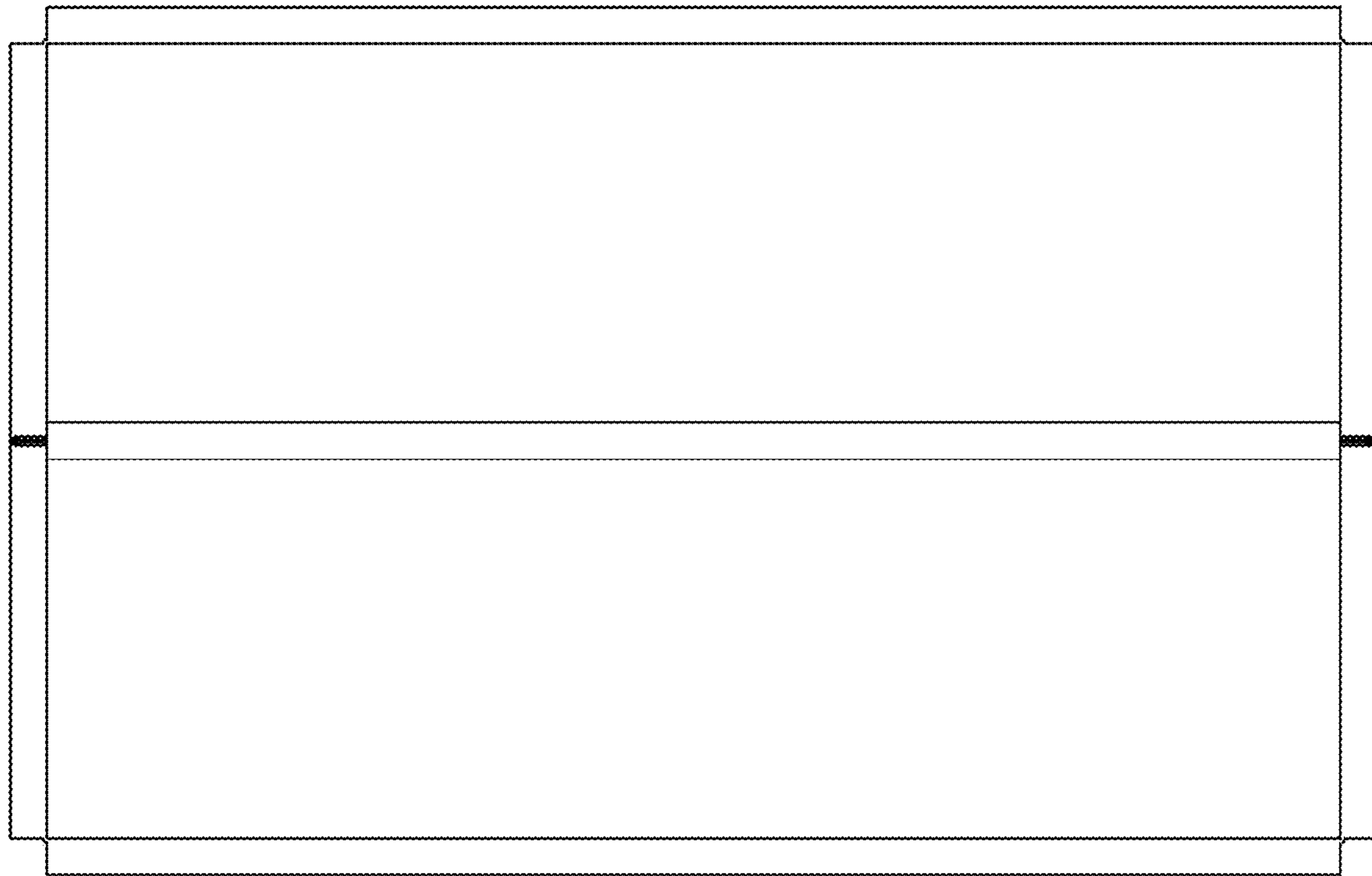


FIG. 6

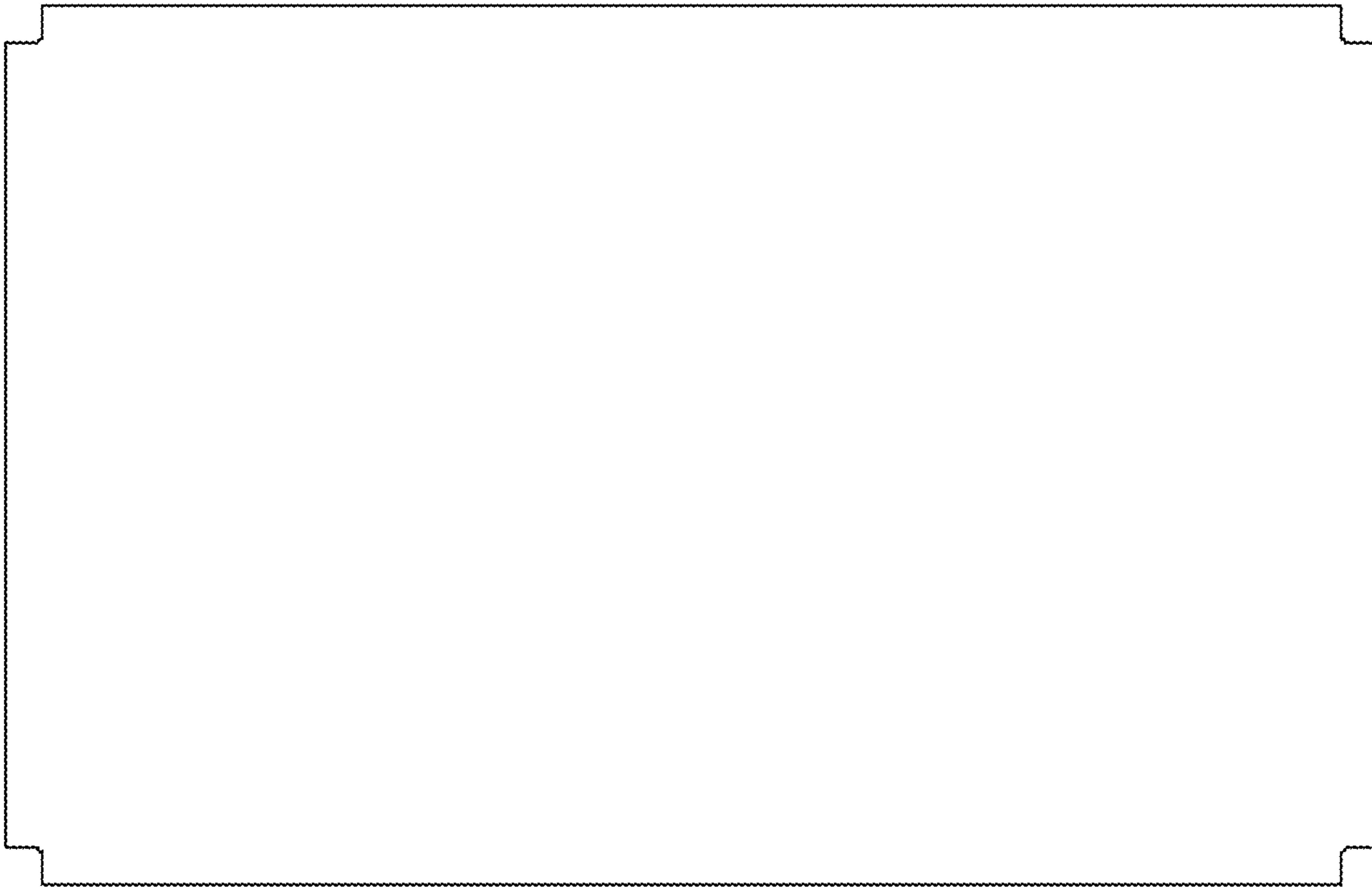


FIG. 7