



US00D942775S

(12) **United States Design Patent** (10) **Patent No.:** **US D942,775 S**
Anderson et al. (45) **Date of Patent:** **** Feb. 8, 2022**

(54) **BUTTON FOR A WINDOW COVERING**

(56) **References Cited**

(71) Applicant: **HUNTER DOUGLAS INC.**, Pearl River, NY (US)

U.S. PATENT DOCUMENTS

(72) Inventors: **Richard Anderson**, Whitesville, KY (US); **Dwain Poynter**, Philpot, KY (US); **Fred Bould**, Menlo Park, CA (US); **Winslo Harte**, San Carlos, CA (US)

D151,305 S	10/1948	Waltman	
D191,047 S	8/1961	Baxendell	
3,025,092 A *	3/1962	Weiner	E05B 65/0864 292/163
3,805,098 A	4/1974	Carpenter et al.	
D248,357 S	7/1978	Daenen	
D260,785 S *	9/1981	Mayer	D21/329
4,491,970 A	1/1985	LaWhite et al.	
D299,606 S	1/1989	Pomroy	
5,003,140 A *	3/1991	Abell, Jr.	H01H 3/122 200/344
D320,908 S	10/1991	Zimmerman	
D321,302 S	11/1991	Zimmerman	

(73) Assignee: **HUNTER DOUGLAS INC.**, Pearl River, NY (US)

(**) Term: **15 Years**

(Continued)

(21) Appl. No.: **29/662,561**

OTHER PUBLICATIONS

(22) Filed: **Sep. 6, 2018**

Kempler Design Window Treatments "Lift Options for Hunter Douglas Wood Blinds" (online) posted Jul. 2019. Retrieved from Internet Sep. 25, 2021, URL: <https://www.kemplerdesign.com/window-treatment-ideas/blinds/hunter-douglas-wood-blinds-lift-options/> (2 pages).*

Related U.S. Application Data

(62) Division of application No. 29/522,087, filed on Mar. 27, 2015, now Pat. No. Des. 830,081.

Primary Examiner — Wendy L Arminio

(74) *Attorney, Agent, or Firm* — Dority & Manning, P.A.

(51) **LOC (13) Cl.** **06-10**

(57) **CLAIM**

(52) **U.S. Cl.**
USPC **D6/580**

The ornamental design for a button for a window covering, as shown and described.

(58) **Field of Classification Search**

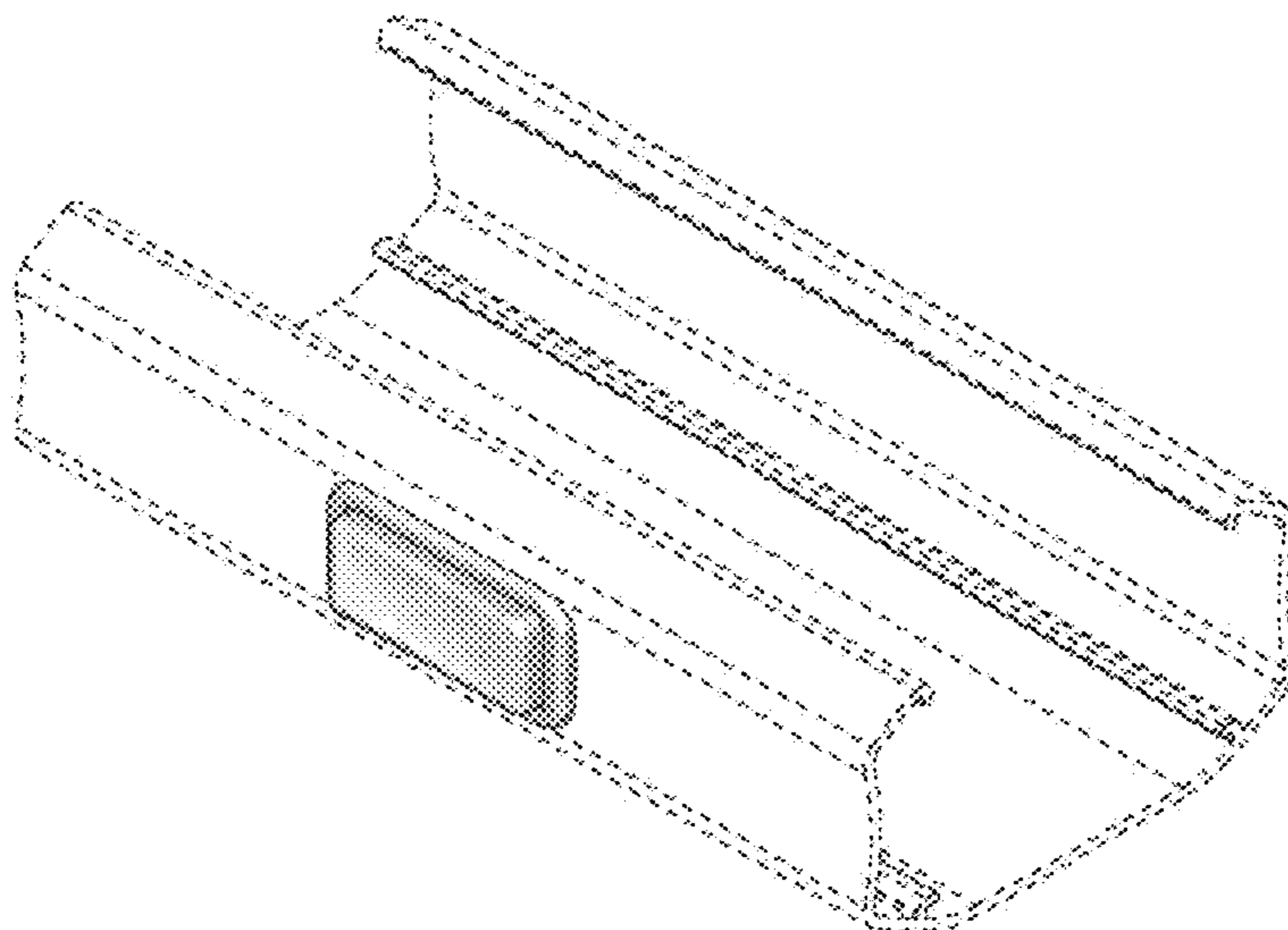
DESCRIPTION

USPC D6/575-581; D8/349-353, 404; D13/169, 171, 174; D21/329, 333; D3/318; D14/138 AA, 138 AB, 165, D14/203.1, 315-318, 420, 507
CPC ... E06B 3/30; E06B 3/92; E06B 3/285; E06B 9/00; E06B 9/02; E06B 9/24; E06B 9/26; E06B 9/262; A47H 1/00; A47H 1/02; A47H 21/00; A47H 23/00; A47H 23/02; A47H 23/04; A47H 2001/0205; A47H 2023/025

FIG. 1 is a top perspective view of a button for a window covering showing our design in a position of use; FIG. 2 is a front view thereof; FIG. 3 is a top view thereof; FIG. 4 is a bottom view thereof; and, FIG. 5 is a left side view thereof, the right side view being a mirror image thereof. The rear of the button cannot be seen when the button is in use. The broken lines in FIGS. 1-5 represent environmental structure that forms no part of the claimed design.

See application file for complete search history.

1 Claim, 5 Drawing Sheets



(56)

References Cited

U.S. PATENT DOCUMENTS

D322,013 S 12/1991 Daenen et al.
D369,143 S * 4/1996 Sorenson D13/169
5,526,908 A * 6/1996 Wang A45C 13/262
16/113.1
5,572,082 A 11/1996 Sokol
5,806,142 A 9/1998 Wang
D407,463 S 3/1999 Outlaw et al.
D407,974 S 4/1999 Zimmer et al.
D412,492 S 8/1999 Gatchell et al.
D416,328 S * 11/1999 Anthony D24/212
D421,966 S 3/2000 Allen et al.
6,102,394 A * 8/2000 Wurz G07F 17/32
200/296
D434,393 S 11/2000 Gehr
6,170,122 B1 1/2001 Kuo
D440,482 S 4/2001 Chang
D464,329 S 10/2002 Mainiero
D466,903 S 12/2002 Chen et al.
D477,572 S * 7/2003 Mayo D13/171
6,590,176 B2 * 7/2003 Cole H01H 9/12
200/310
D514,072 S 1/2006 Martinez
D514,922 S 2/2006 Zahedi et al.
D538,758 S 3/2007 Lemaire
7,191,878 B2 3/2007 Lu
D541,567 S 5/2007 Spence
D553,364 S 10/2007 Moon
D572,905 S 7/2008 Wu
D583,299 S 12/2008 Manson
7,507,924 B2 3/2009 Lorenzo Riera et al.
7,628,692 B2 * 12/2009 Kaminkow G07F 17/32
463/20
7,705,255 B2 4/2010 Yokote
7,714,243 B2 5/2010 Birdwell
7,804,037 B2 * 9/2010 Cove H01H 9/181
200/520
D627,128 S 11/2010 El Saifi
7,892,096 B2 * 2/2011 Rigsby G07F 17/32
463/37
7,955,176 B2 * 6/2011 Tastad G07F 17/32
463/46
D645,004 S 9/2011 Menheere
D649,125 S * 11/2011 Clymer D13/174
8,232,493 B2 7/2012 Ichikawa et al.

8,337,314 B2 * 12/2012 Waxman G07F 17/3234
463/46
D685,333 S 7/2013 Beroukas et al.
D696,729 S * 12/2013 Hill D21/385
D712,847 S 9/2014 Dorn et al.
8,963,033 B2 * 2/2015 Kiple H01H 13/84
200/344
D727,858 S 4/2015 Sakai
9,024,214 B2 * 5/2015 Niu H01H 3/122
200/5 A
D758,759 S * 6/2016 Anderson D6/580
D777,690 S 1/2017 Amano
D777,691 S * 1/2017 Amano D13/171
9,734,965 B2 * 8/2017 Verd Martinez H01H 9/181
D829,468 S * 10/2018 Anderson D6/580
D845,255 S * 4/2019 Fasano D13/169
D864,879 S * 10/2019 Keirstead D13/169
D865,682 S * 11/2019 Dimberg G08C 17/02
D13/168
D929,501 S * 8/2021 Brown D21/333
D929,502 S * 8/2021 Brown D21/333
2004/0141739 A1 7/2004 Sotome
2004/0182666 A1 9/2004 Chang et al.
2008/0000763 A1 * 1/2008 Cove H01H 13/023
200/314
2008/0179153 A1 7/2008 Wu
2010/0163386 A1 * 7/2010 Sun A61P 3/04
200/341
2011/0127149 A1 * 6/2011 Sun H01H 13/83
200/314
2011/0226600 A1 * 9/2011 Lo H01H 3/122
200/5 A
2011/0240453 A1 10/2011 Shu
2012/0057314 A1 3/2012 Li et al.
2012/0111706 A1 5/2012 Seckel et al.
2012/0169603 A1 * 7/2012 Peterson H01H 13/85
345/168
2012/0186958 A1 7/2012 Yang
2012/0298493 A1 11/2012 Hogan et al.
2013/0126323 A1 * 5/2013 Hsu H01H 13/02
200/341
2015/0136572 A1 * 5/2015 Liu H01H 13/06
200/248
2015/0348723 A1 12/2015 Sugiyama
2016/0010389 A1 1/2016 Anderson et al.
2017/0044821 A1 * 2/2017 Anderson E06B 9/304
2019/0085623 A1 * 3/2019 Anderson E06B 9/388
2020/0347637 A1 * 11/2020 Kalbande E05B 1/0038

* cited by examiner

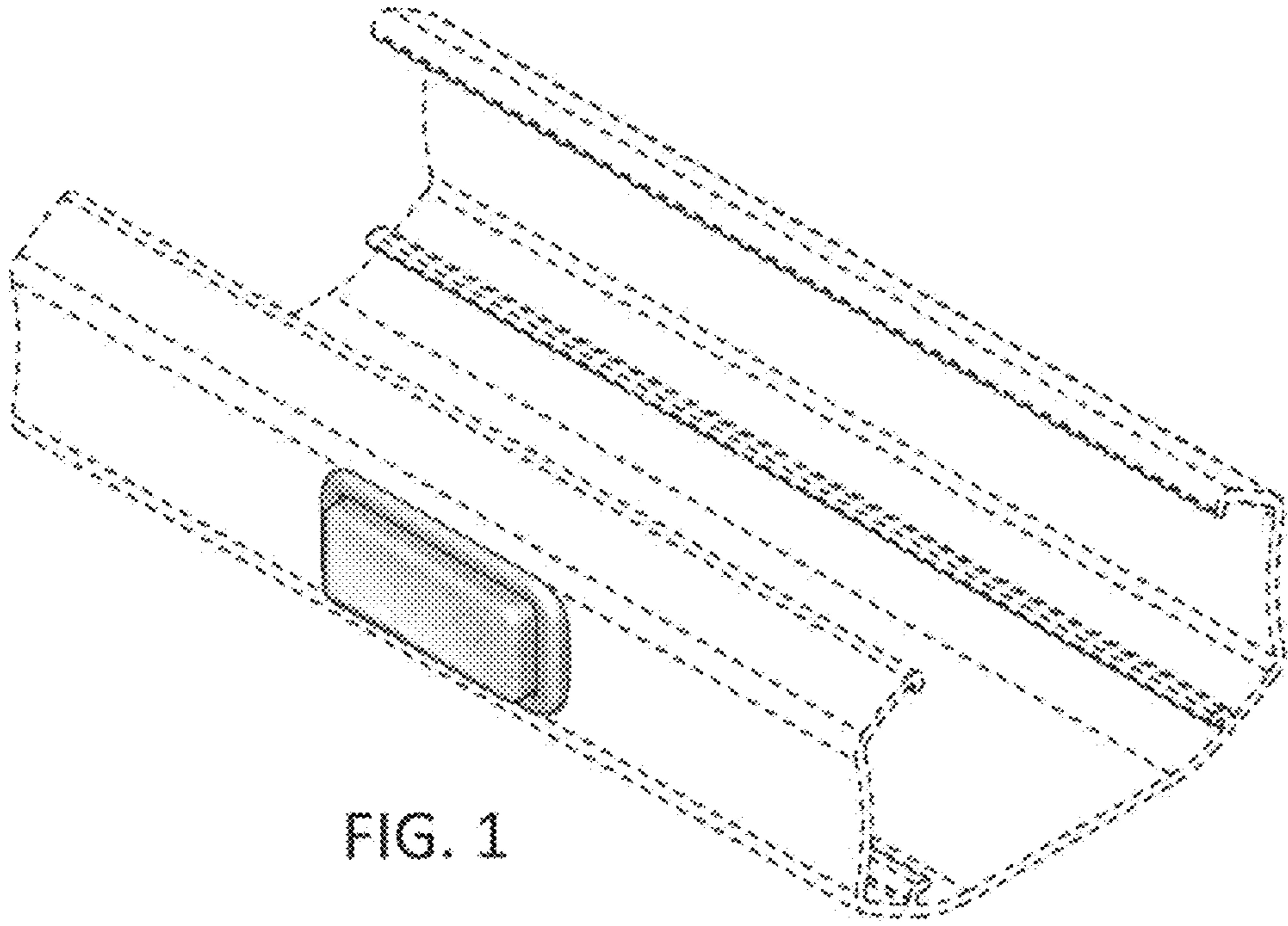


FIG. 1

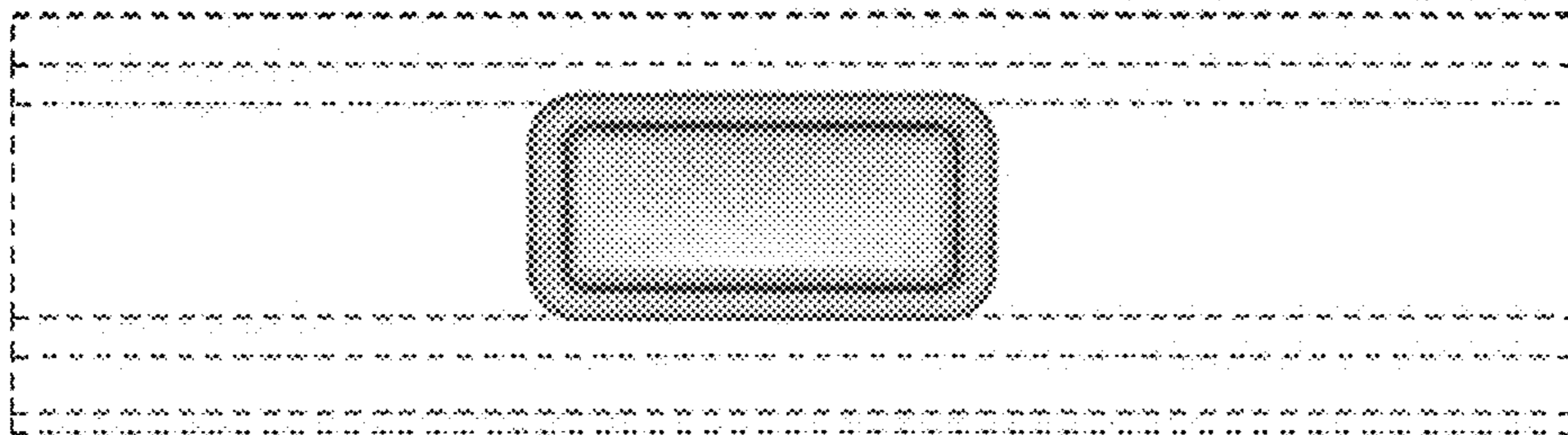


FIG. 2

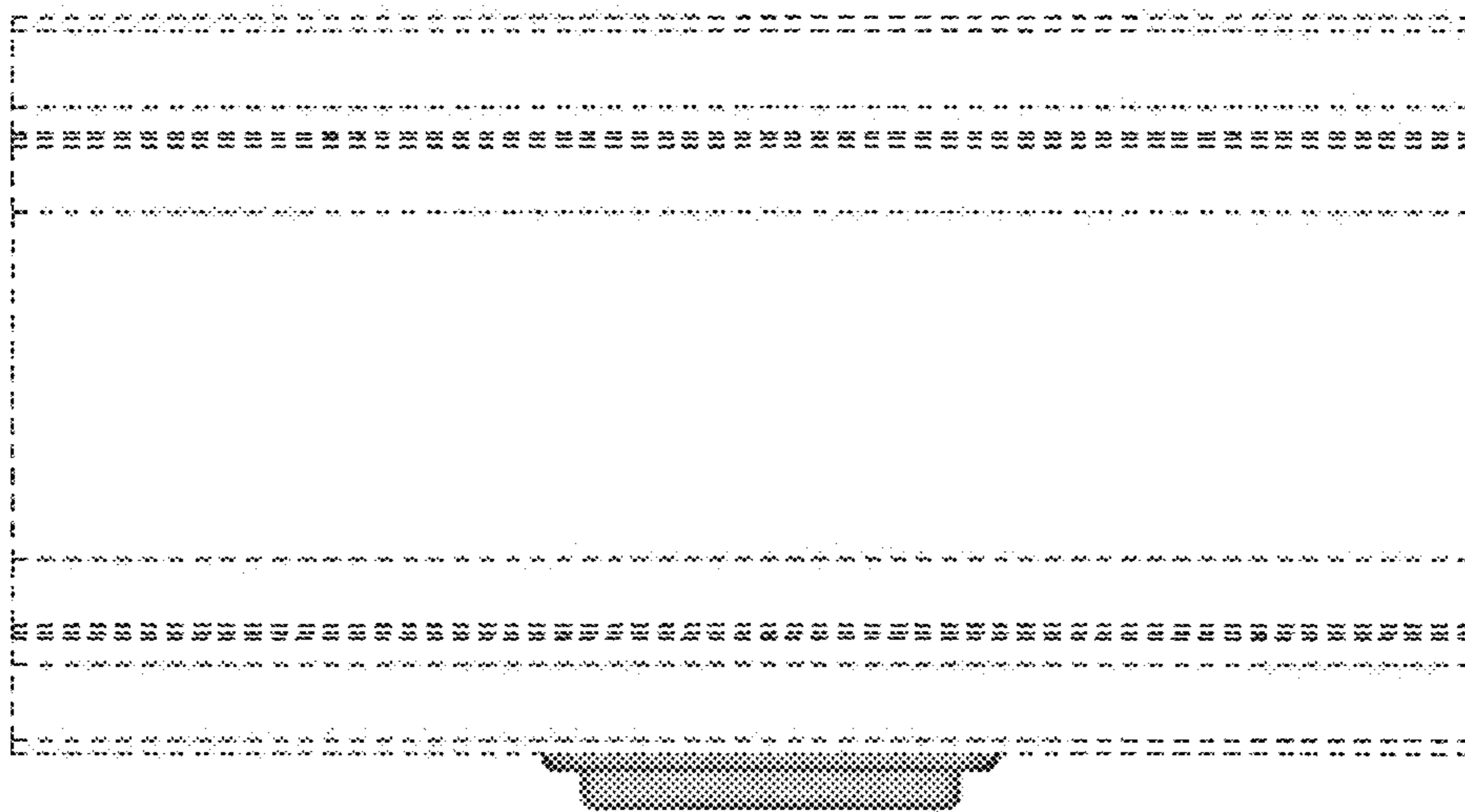


FIG. 3

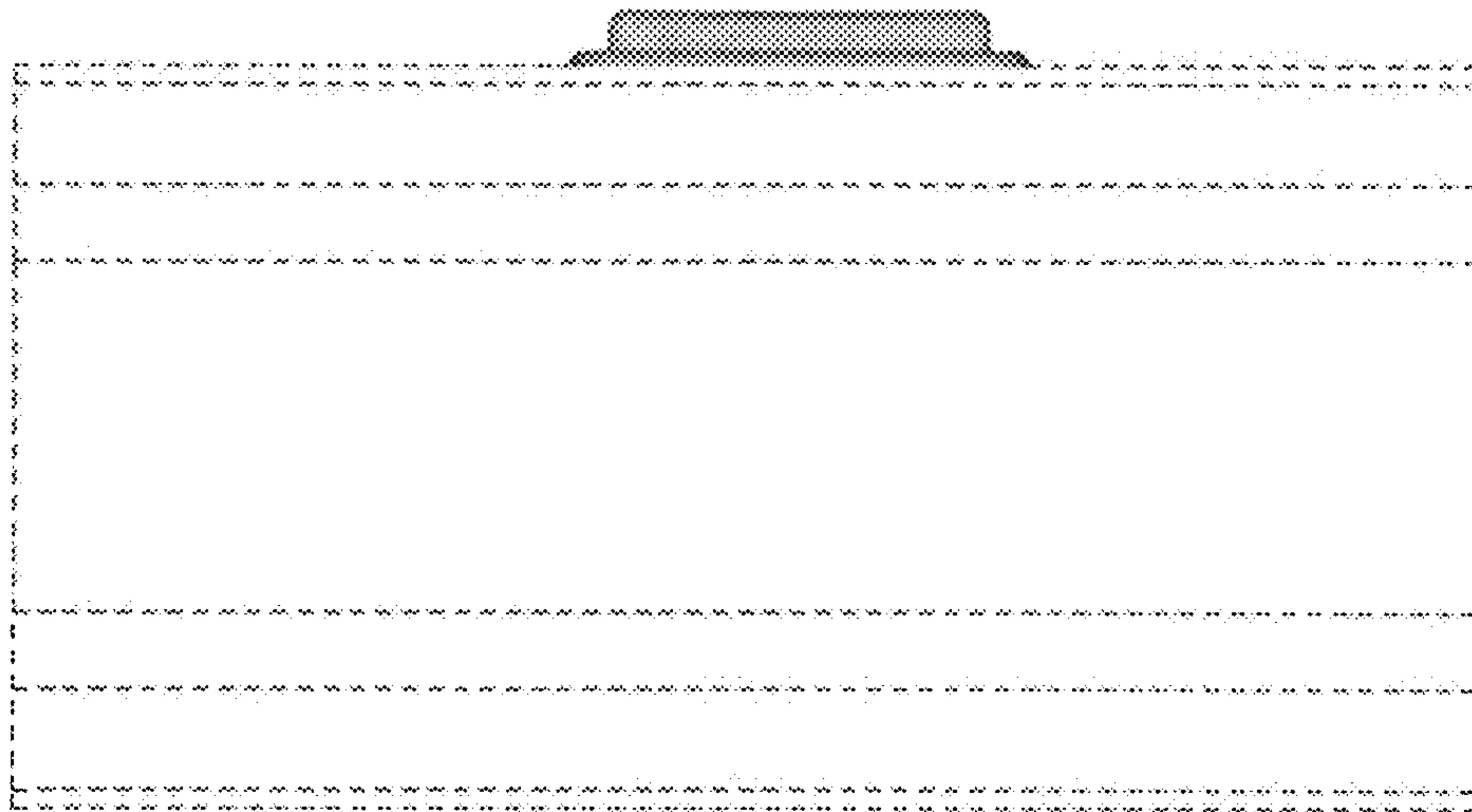


FIG. 4

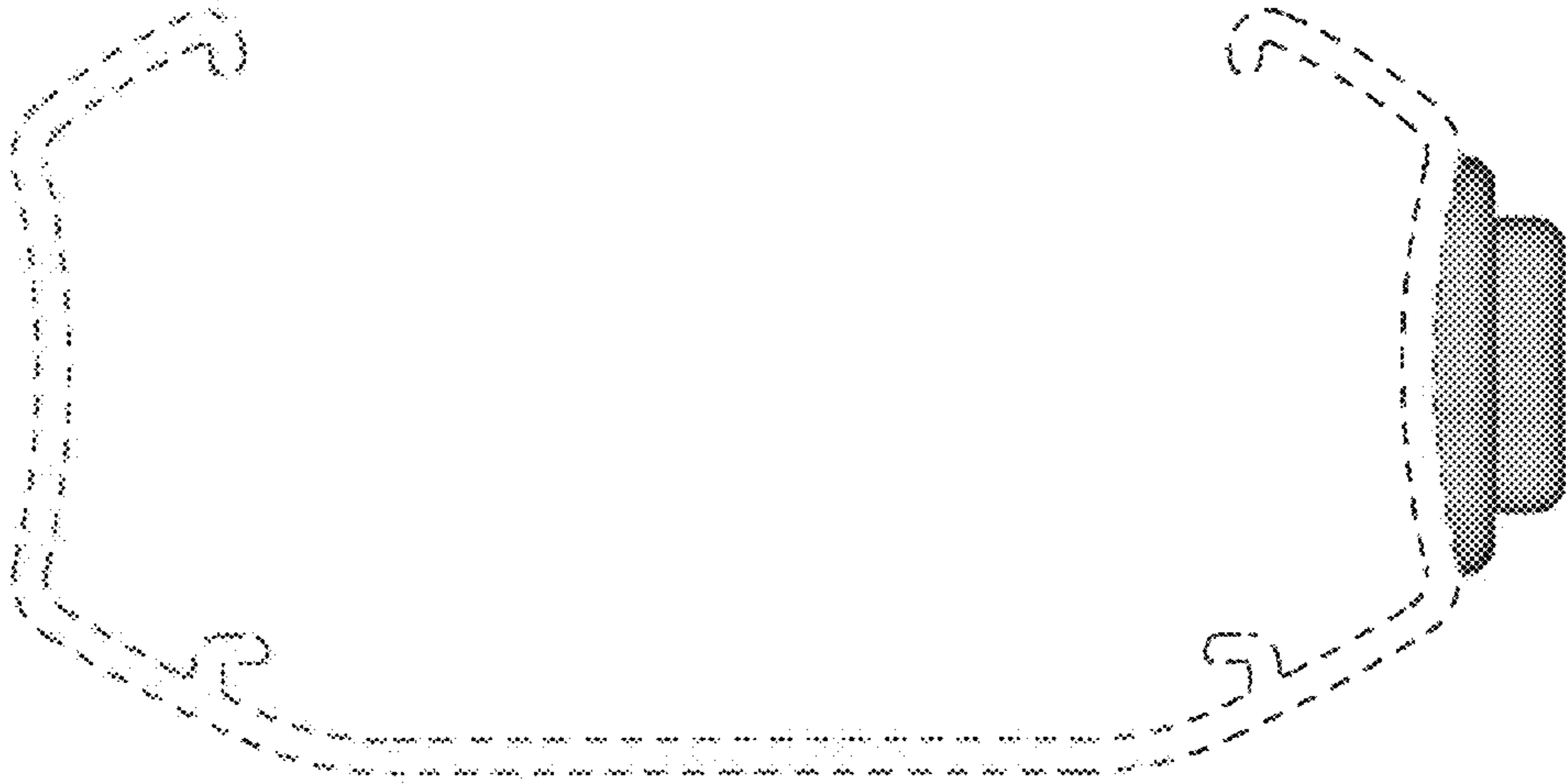


FIG. 5