



US00D942774S

(12) **United States Design Patent** (10) **Patent No.:** **US D942,774 S**
Anderson et al. (45) **Date of Patent:** **** Feb. 8, 2022**

(54) **BUTTON FOR A WINDOW COVERING**

(56) **References Cited**

(71) Applicant: **HUNTER DOUGLAS INC.**, Pearl River, NY (US)

U.S. PATENT DOCUMENTS

(72) Inventors: **Richard Anderson**, Whitesville, KY (US); **Dwain Poynter**, Philpot, KY (US); **Fred Bould**, Menlo Park, CA (US); **Winslo Harte**, San Carlos, CA (US)

D151,305 S	10/1948	Waltman	
D191,047 S	8/1961	Baxendell	
3,025,092 A *	3/1962	Weiner	E05B 65/0864 292/163
3,805,098 A	4/1974	Carpenter et al.	
D248,357 S	7/1978	Daenen	
4,491,970 A	1/1985	LaWhite et al.	
D283,818 S *	5/1986	Skaggs	D13/171
D299,606 S	1/1989	Pomroy	
4,937,408 A *	6/1990	Hattori	H01H 13/702 200/314
D319,167 S *	8/1991	Adams	D7/309
D320,908 S	10/1991	Zimmerman	
D321,302 S	11/1991	Zimmerman	
D322,013 S	12/1991	Daenen et al.	
5,572,082 A	11/1996	Sokol	
5,806,142 A	9/1998	Wang	
D407,463 S	3/1999	Outlaw et al.	
D407,974 S	4/1999	Zimmer et al.	

(73) Assignee: **HUNTER DOUGLAS INC.**, Pearl River, NY (US)

(**) Term: **15 Years**

(21) Appl. No.: **29/662,546**

(22) Filed: **Sep. 6, 2018**

(Continued)

Related U.S. Application Data

(62) Division of application No. 29/522,083, filed on Mar. 27, 2015, now Pat. No. Des. 829,468.

(51) **LOC (13) Cl.** **06-10**

(52) **U.S. Cl.**
USPC **D6/580**

(58) **Field of Classification Search**

USPC D6/575-581; D8/349-353, 404;
D13/169, 171, 174; D21/329, 333;
D3/318; D14/138 AA, 138 AB, 165,
D14/203.1, 315-318, 420, 507
CPC ... E06B 3/30; E06B 3/92; E06B 3/285; E06B
9/00; E06B 9/02; E06B 9/24; E06B 9/26;
E06B 9/262; A47H 1/00; A47H 1/02;
A47H 21/00; A47H 23/00; A47H 23/02;
A47H 23/04; A47H 2001/0205; A47H
2023/025

See application file for complete search history.

Primary Examiner — Wendy L Arminio

(74) *Attorney, Agent, or Firm* — Dority & Manning, P.A.

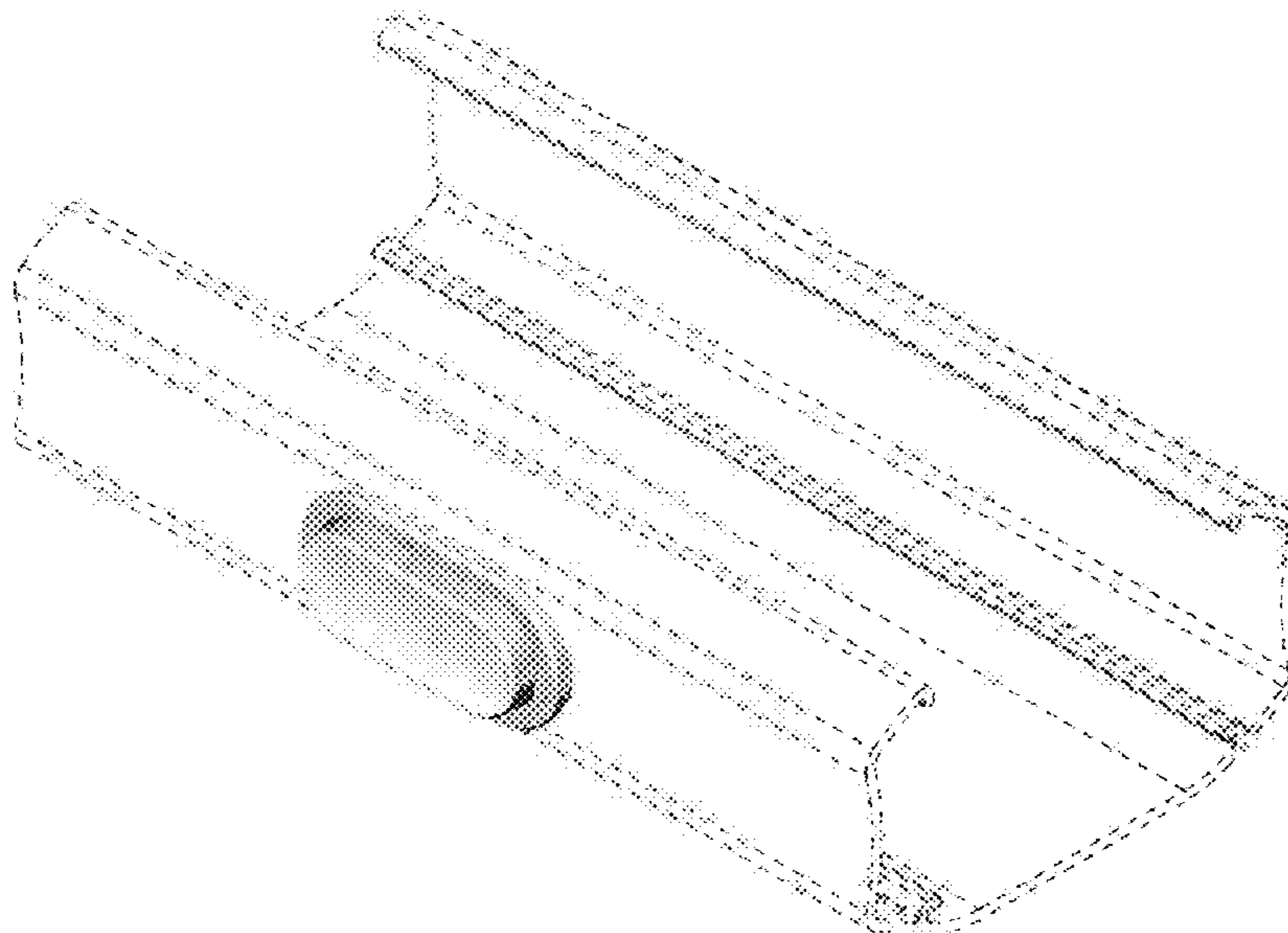
(57) **CLAIM**

The ornamental design for a button for a window covering, as shown and described.

DESCRIPTION

FIG. 1 is a top perspective view of a button for a window covering showing our design in a position of use;
FIG. 2 is a front view thereof;
FIG. 3 is a top view thereof;
FIG. 4 is a bottom view thereof; and,
FIG. 5 is a left side view thereof, the right side view being a mirror image thereof.
The rear of the button cannot be seen when the button is in use. The broken lines in FIGS. 1-5 represent environmental structure that forms no part of the claimed design.

1 Claim, 5 Drawing Sheets



(56)

References Cited

U.S. PATENT DOCUMENTS

5,926,914 A * 7/1999 Kuo A45C 13/262
16/405
D412,492 S 8/1999 Gatchell et al.
D421,966 S 3/2000 Allen et al.
D434,393 S 11/2000 Gehr
6,170,122 B1 1/2001 Kuo
D440,207 S * 4/2001 Carson D13/162
D440,482 S 4/2001 Chang
6,425,162 B1 * 7/2002 Wang A45C 13/262
16/113.1
D464,329 S 10/2002 Mainiero
D466,903 S 12/2002 Chen et al.
D477,572 S * 7/2003 Mayo D13/171
D514,072 S 1/2006 Martinez
D514,922 S 2/2006 Zahedi et al.
D523,823 S * 6/2006 McLellan D13/164
D538,758 S 3/2007 Lemaire
7,191,878 B2 3/2007 Lu
D541,567 S 5/2007 Spence
D553,364 S 10/2007 Moon
D572,905 S 7/2008 Wu
D583,299 S 12/2008 Manson
7,507,924 B2 3/2009 Lorenzo Riera et al.
7,705,255 B2 4/2010 Yokote
7,714,243 B2 5/2010 Birdwell
D627,128 S 11/2010 El Saifi
D645,004 S 9/2011 Menheere
D649,125 S * 11/2011 Clymer D13/174
8,232,493 B2 7/2012 Ichikawa et al.
D685,333 S 7/2013 Beroukas et al.

D696,729 S * 12/2013 Hill D21/385
8,604,372 B2 * 12/2013 Yang H01H 13/807
200/341
D712,847 S 9/2014 Dorn et al.
D727,858 S 4/2015 Sakai
D740,762 S * 10/2015 Miller D13/171
D758,759 S * 6/2016 Anderson D6/580
9,520,253 B2 * 12/2016 Gao H01H 13/063
D777,690 S 1/2017 Amano
D786,805 S * 5/2017 Anderson D13/174
D806,514 S * 1/2018 Singtoroj D8/321
D811,352 S * 2/2018 Lee D13/171
D830,081 S * 10/2018 Anderson D6/580
2004/0141739 A1 7/2004 Sotome
2004/0182666 A1 9/2004 Chang et al.
2006/0131149 A1 * 6/2006 Mattarelli H01H 13/04
200/329
2008/0179153 A1 7/2008 Wn
2010/0236907 A1 * 9/2010 Kobayashi H01H 13/86
200/293
2011/0240453 A1 10/2011 Shu
2012/0057314 A1 3/2012 Li et al.
2012/0111706 A1 5/2012 Seckel et al.
2012/0186958 A1 7/2012 Yang
2012/0298493 A1 11/2012 Hogan et al.
2015/0308454 A1 * 10/2015 Shi F04D 29/503
417/315
2015/0348723 A1 12/2015 Sugiyama
2016/0010389 A1 1/2016 Anderson et al.
2017/0044821 A1 * 2/2017 Anderson E06B 9/304
2019/0085623 A1 * 3/2019 Anderson E06B 9/388
2019/0116249 A1 * 4/2019 Guo H04M 1/0249
2020/0355310 A1 * 11/2020 Wu B05B 1/1618

* cited by examiner

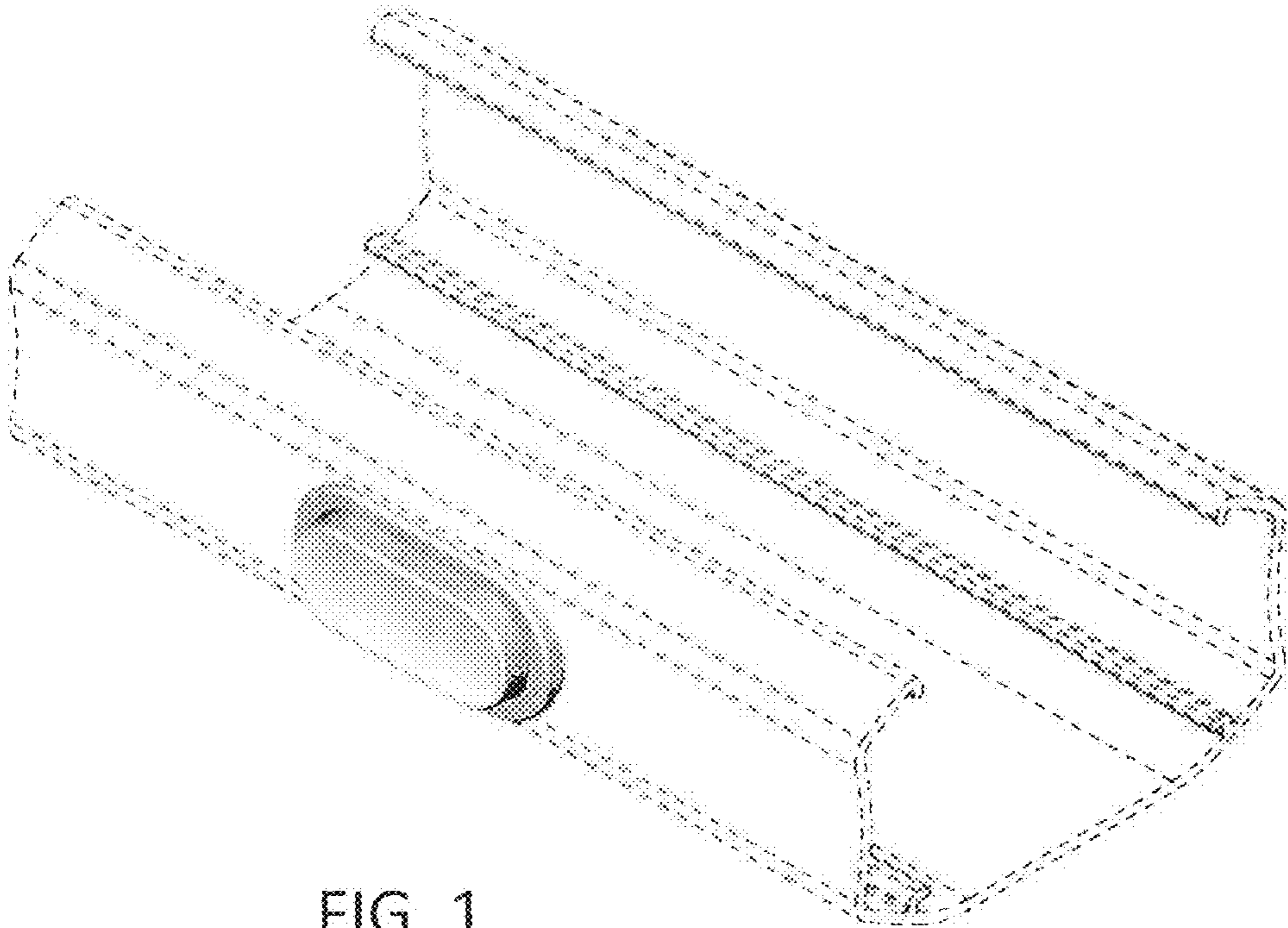


FIG. 1

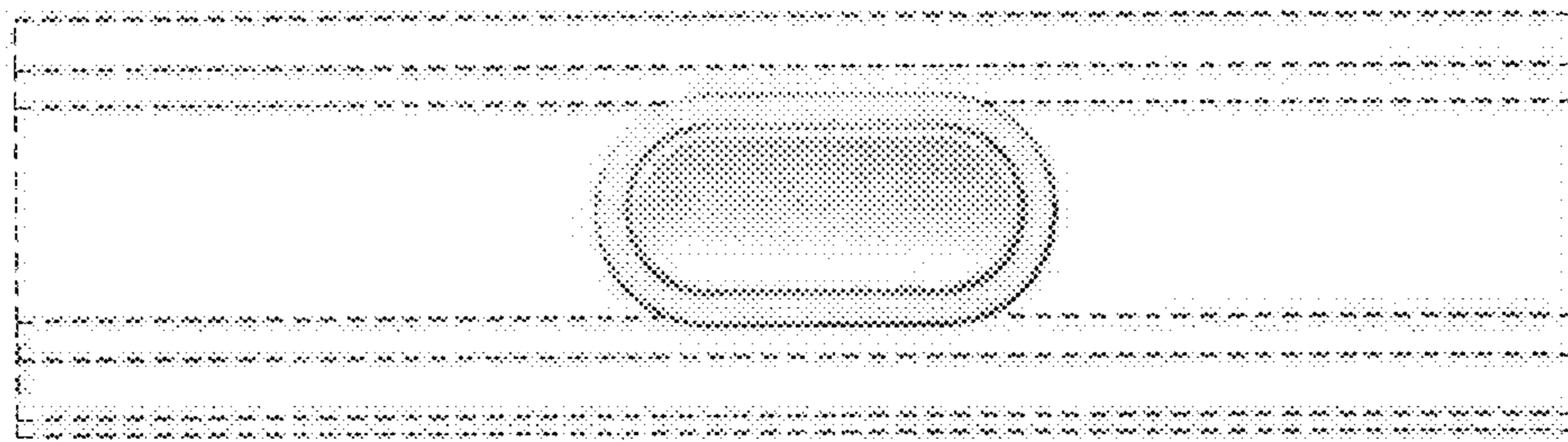


FIG. 2

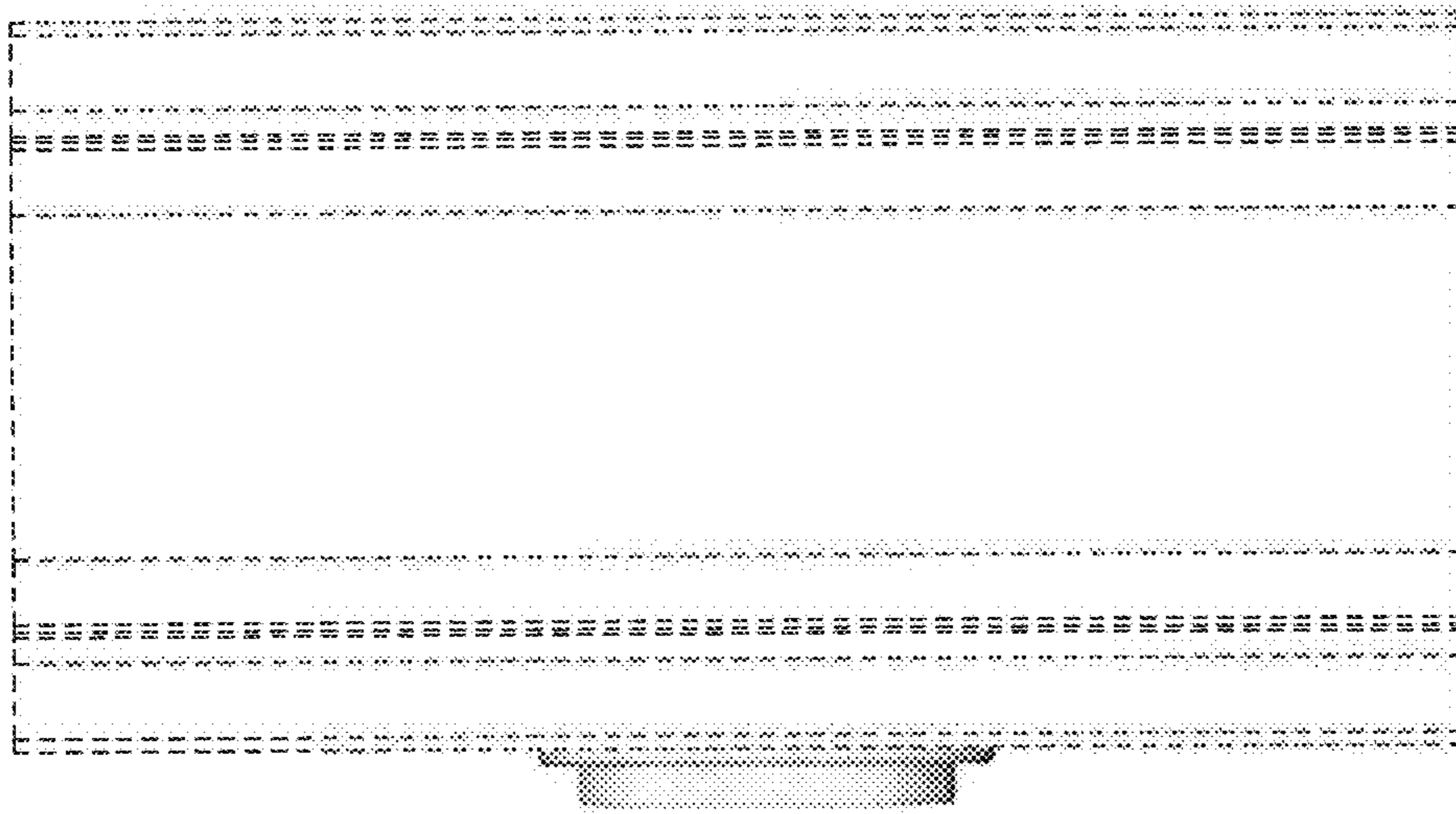


FIG. 3

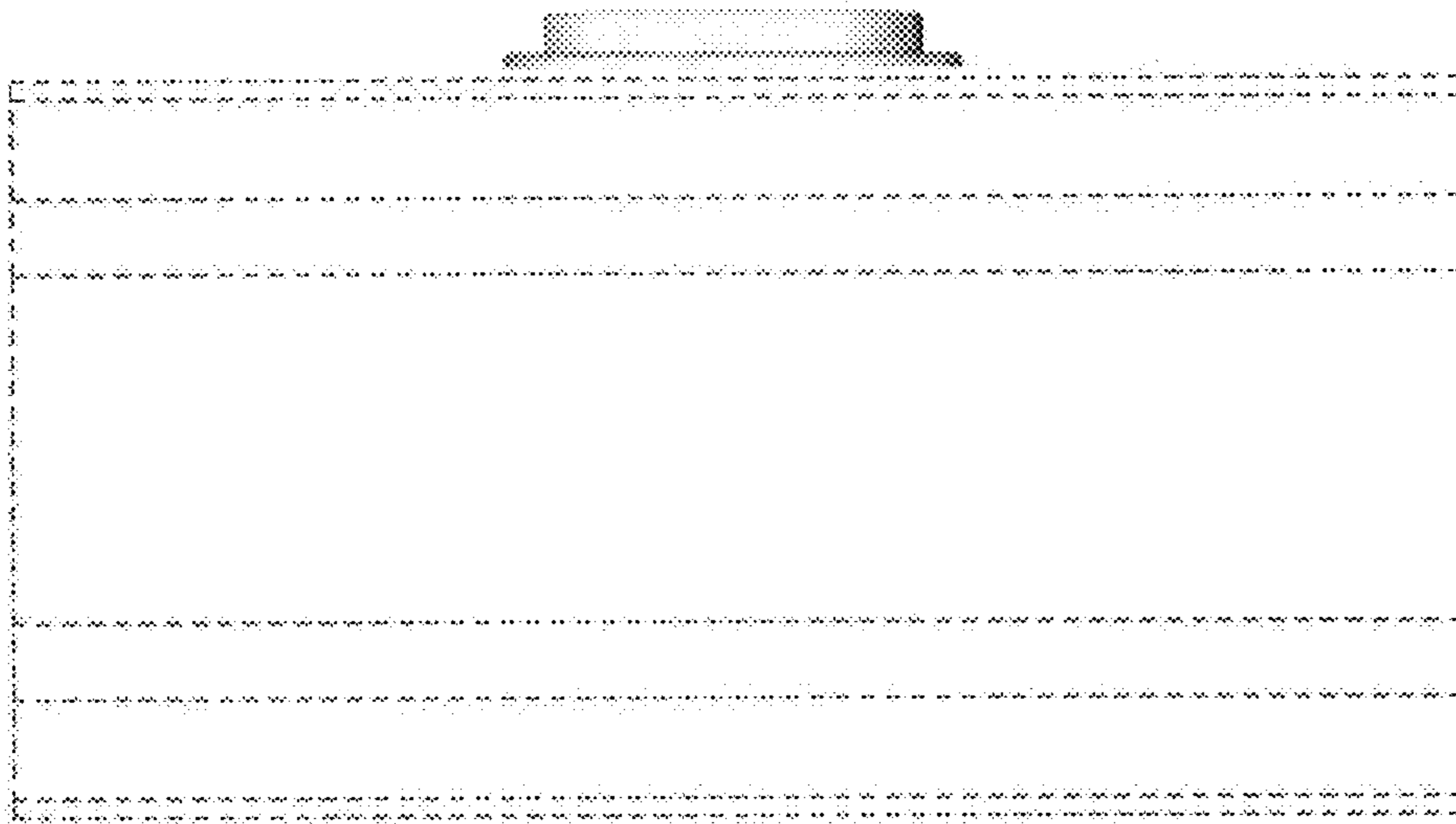


FIG. 4

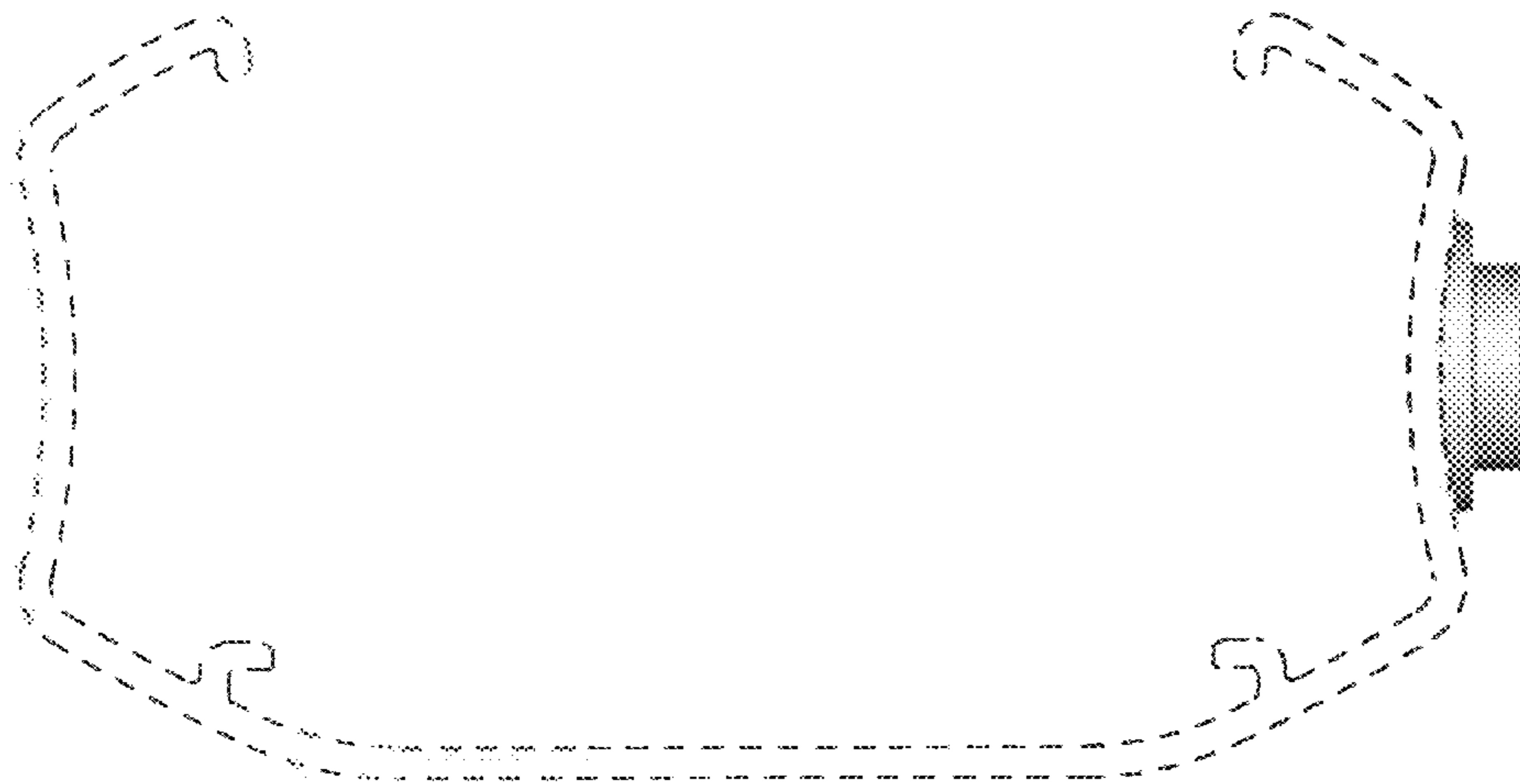


FIG. 5