



US00D942771S

(12) **United States Design Patent** (10) **Patent No.:** **US D942,771 S**  
**Loiseau** (45) **Date of Patent:** **\*\* Feb. 8, 2022**

(54) **PILL DISPENSER**  
(71) Applicant: **RGF DIAGNOSTICS S.r.l.**, Milan (IT)  
(72) Inventor: **Eric Thierry Loiseau**, Castellanza (IT)  
(73) Assignee: **RGF DIAGNOSTICS S.r.l.**, Milan (IT)  
(\*\*) Term: **15 Years**  
(21) Appl. No.: **35/508,750**  
(22) Filed: **Jul. 12, 2019**  
(80) **Hague Agreement Data**  
Int. Filing Date: **Jul. 12, 2019**  
Int. Reg. No.: **DM/206180**  
Int. Reg. Date: **Jul. 12, 2019**  
Int. Reg. Pub. Date: **Mar. 6, 2020**

(30) **Foreign Application Priority Data**  
Jan. 16, 2019 (EM) ..... 006040572-0001  
Jan. 16, 2019 (EM) ..... 006040572-0002  
(51) **LOC (13) Cl.** ..... **06-06**  
(52) **U.S. Cl.**  
USPC ..... **D6/515; D3/203.2**  
(58) **Field of Classification Search**  
USPC ..... D3/201, 203.2, 203.3, 203.6, 203.8;  
D9/420, 421, 757, 759; D6/515  
CPC ..... B65D 75/327; B65D 3/0481; A61J 7/04  
See application file for complete search history.

(56) **References Cited**  
**U.S. PATENT DOCUMENTS**  
D15,388 S \* 9/1884 Dick ..... D3/203.2  
D154,669 S \* 8/1949 Fields ..... D3/203.2

D181,675 S \* 12/1957 Reibling ..... D3/203.2  
D419,345 S \* 1/2000 Dumont ..... D6/515  
D424,850 S \* 5/2000 Handfield ..... D6/515  
D435,991 S \* 1/2001 Handfield ..... D6/515  
D536,253 S \* 2/2007 Howes ..... D9/529  
D578,302 S \* 10/2008 Arvidsson ..... D3/203.2  
D584,891 S \* 1/2009 Muhlhausen ..... D3/203.2  
D659,380 S \* 5/2012 Mayer ..... D3/203.2  
D664,350 S \* 7/2012 Corbin ..... E05B 37/02  
D3/203.2  
D756,627 S \* 5/2016 Lande ..... D3/203.2  
D756,628 S \* 5/2016 Lande ..... D3/203.2

\* cited by examiner

*Primary Examiner* — Holly E Thurman  
(74) *Attorney, Agent, or Firm* — Underwood & Associates, LLC

(57) **CLAIM**

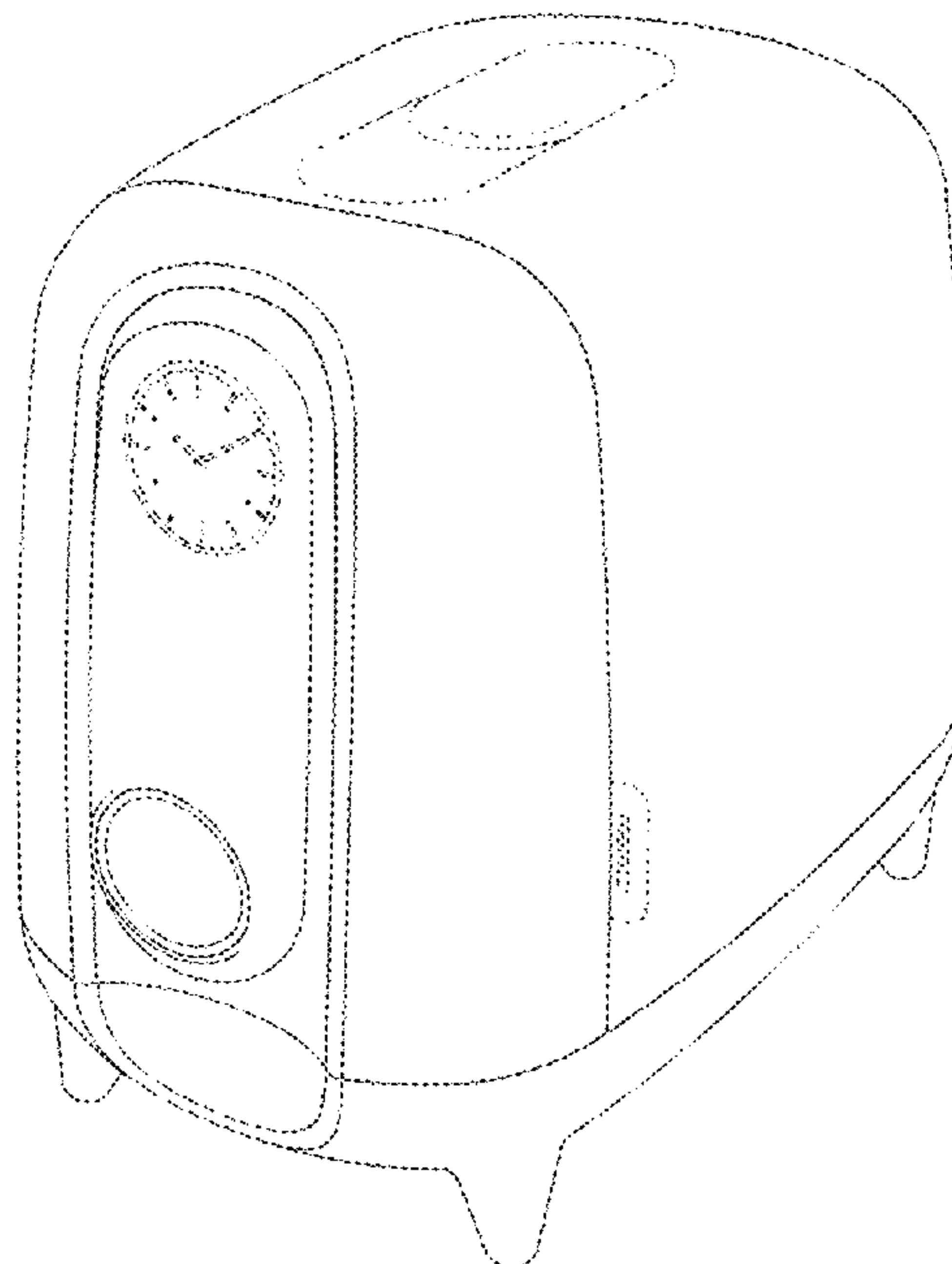
The ornamental design for a pill dispenser, as shown and described.

**DESCRIPTION**

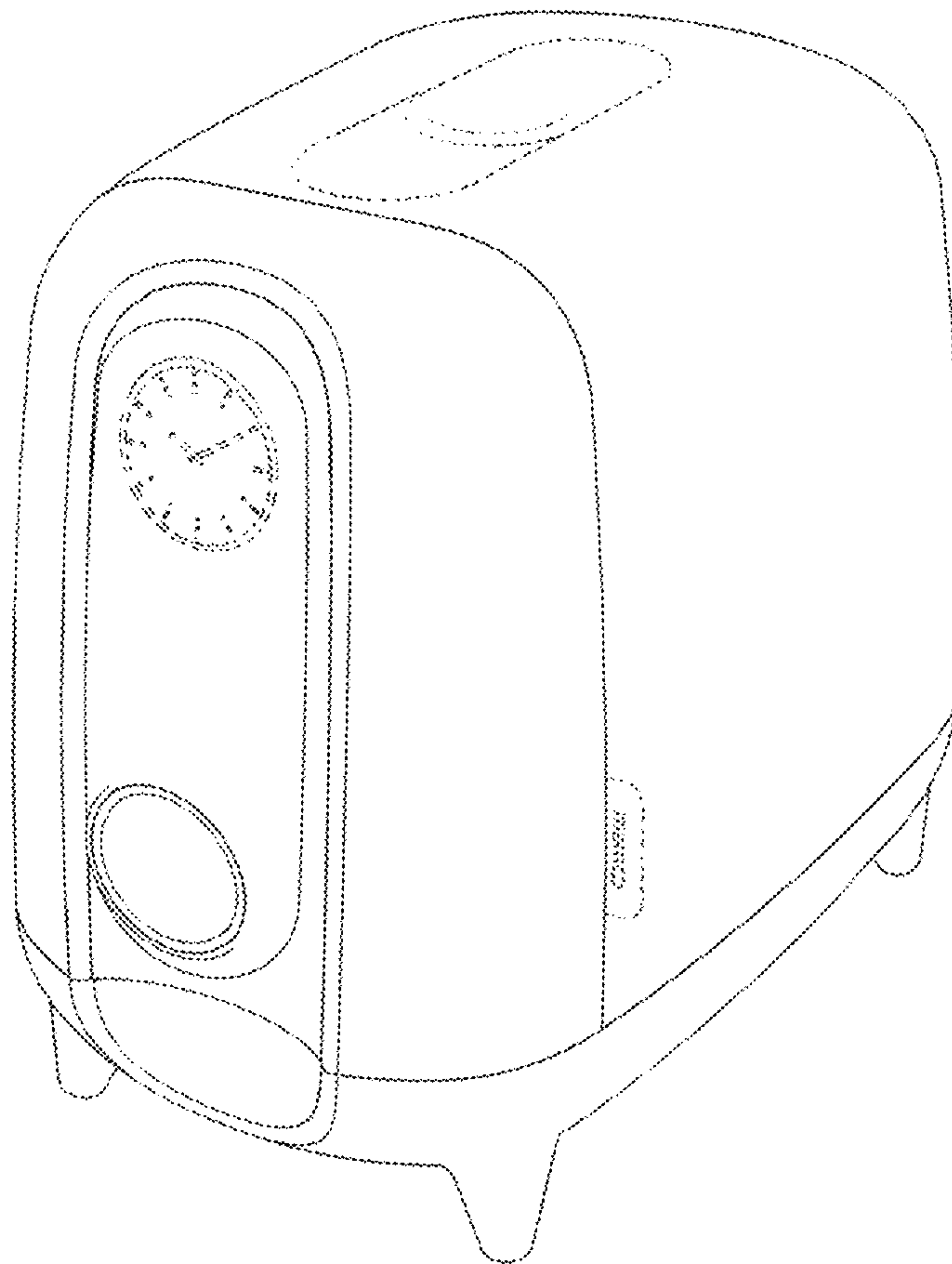
- 1.1 : Perspective
- 1.2 : Front
- 1.3 : Right
- 1.4 : Left
- 1.5 : Top
- 1.6 : Back
- 1.7 : Bottom

All broken lines (dashed, dotted, and irregularly spaced) in the Figures depict portions of the pill dispenser that form NO part of the claimed design.

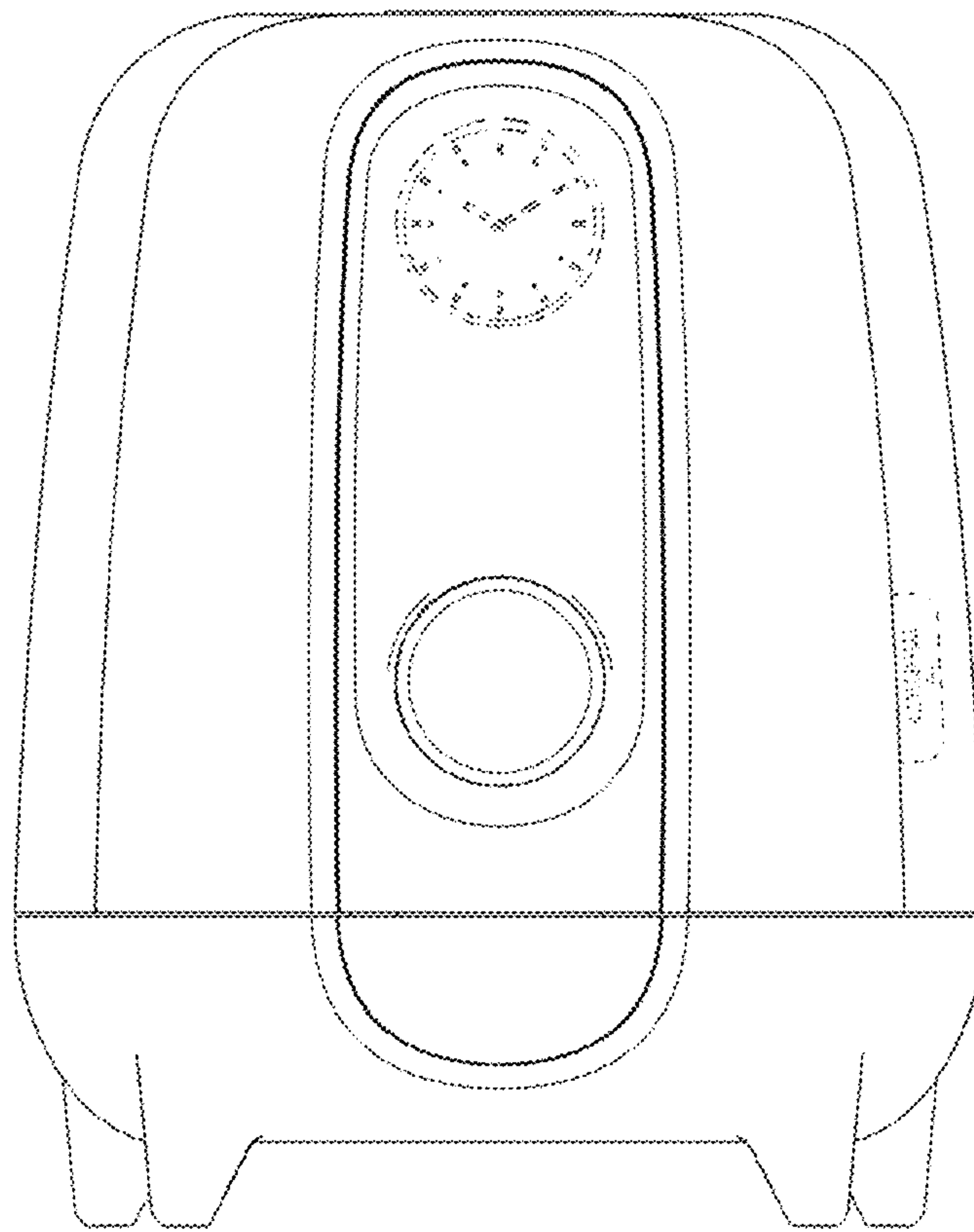
**1 Claim, 7 Drawing Sheets**



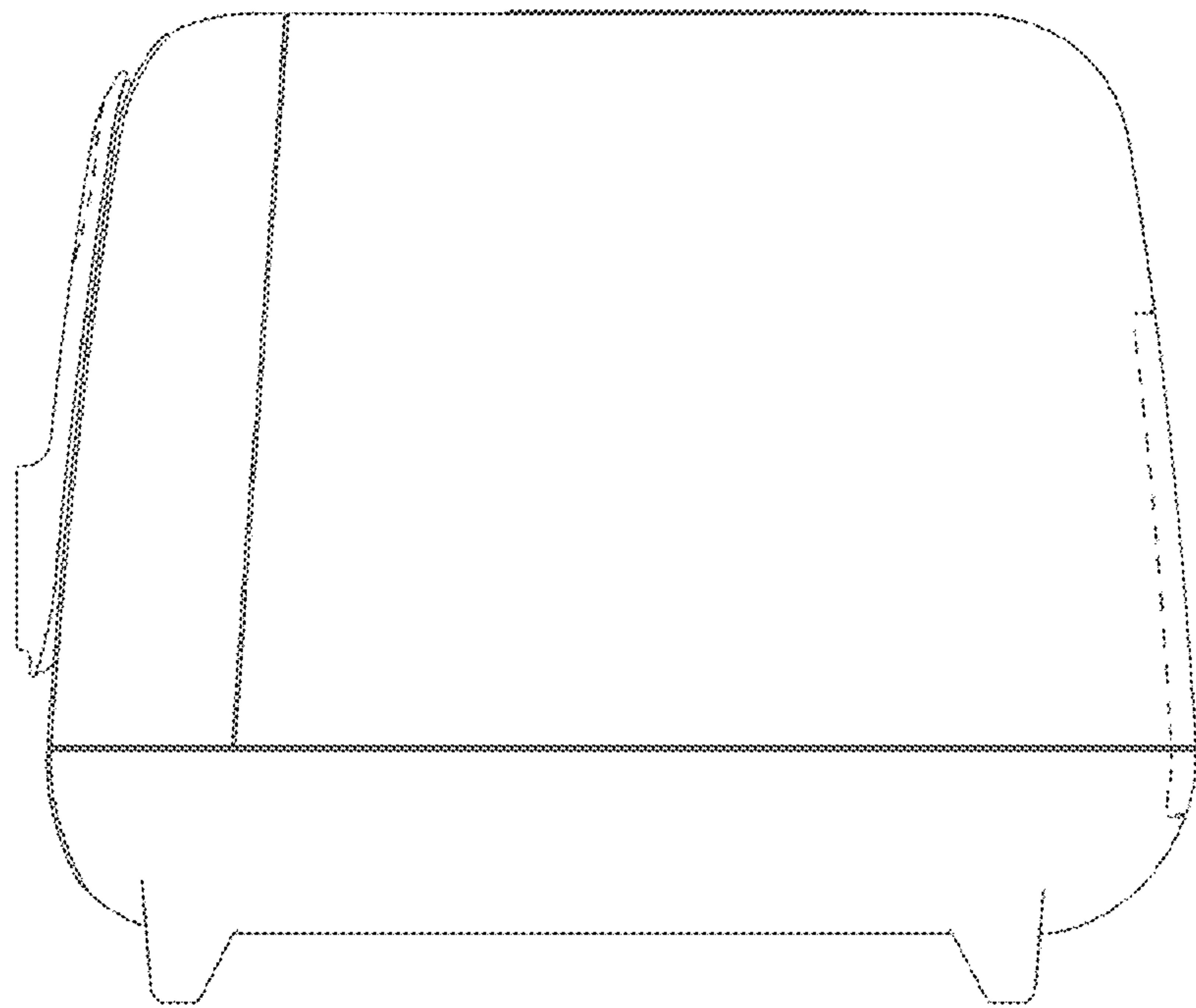
1.1



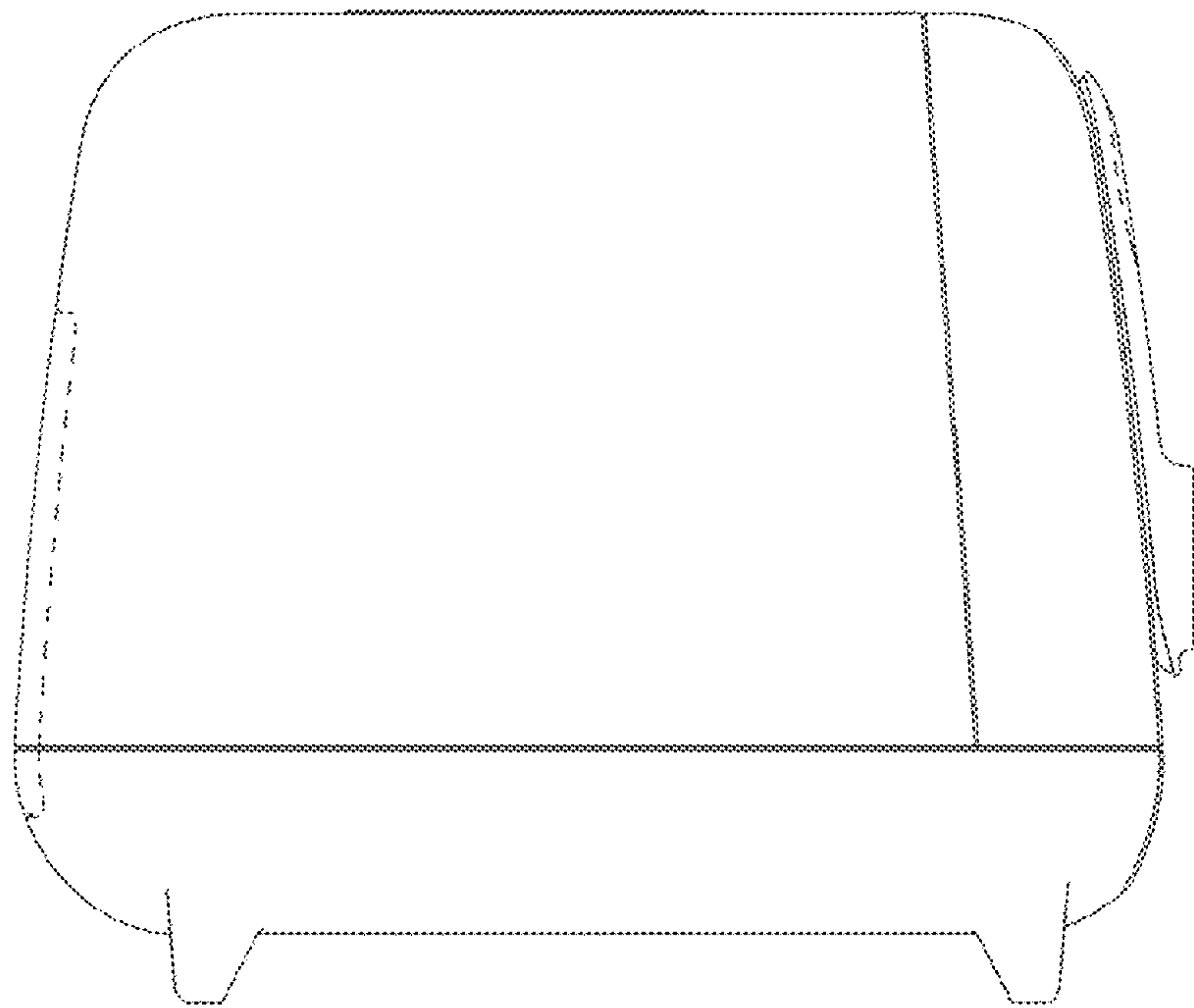
1.2



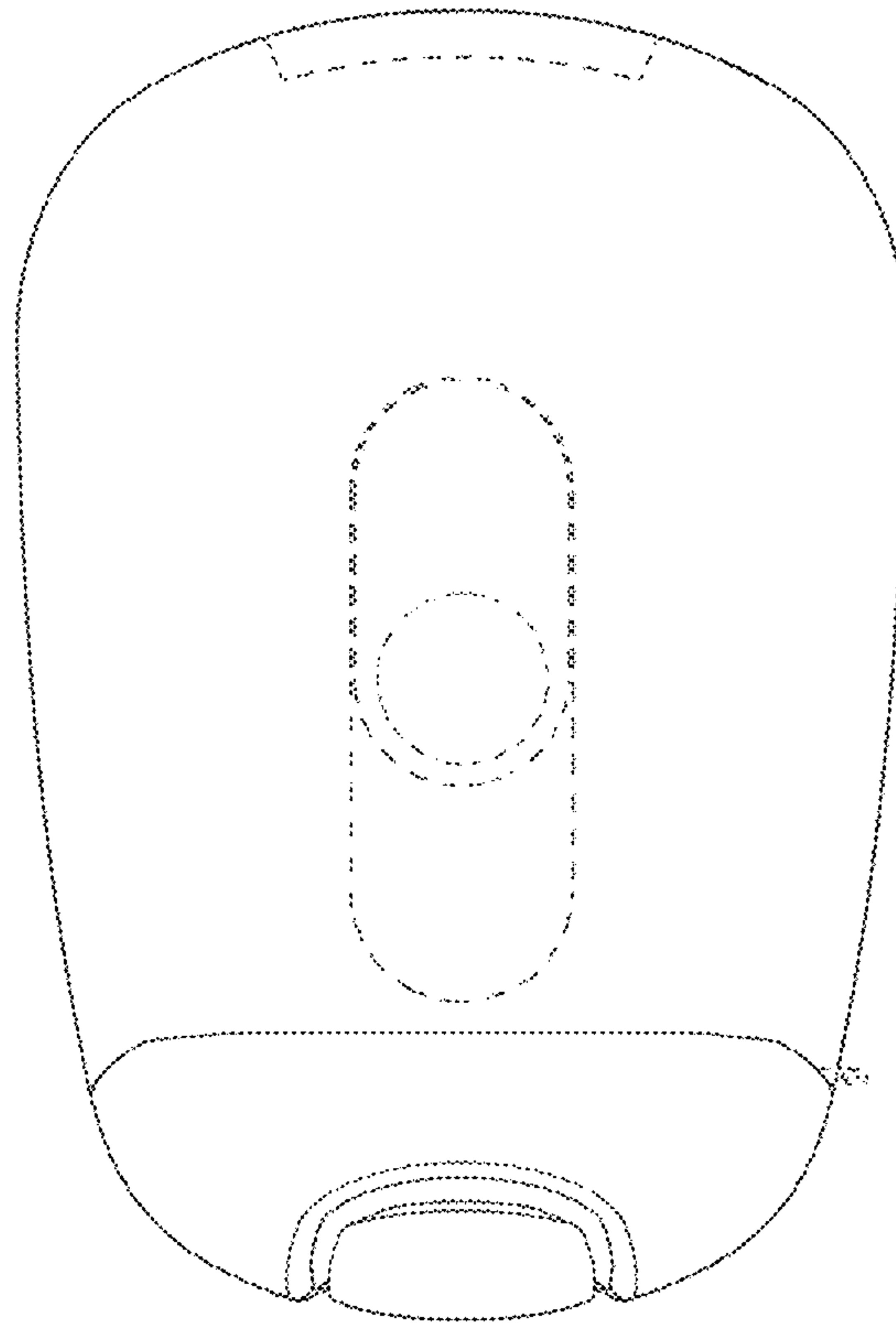
1.3



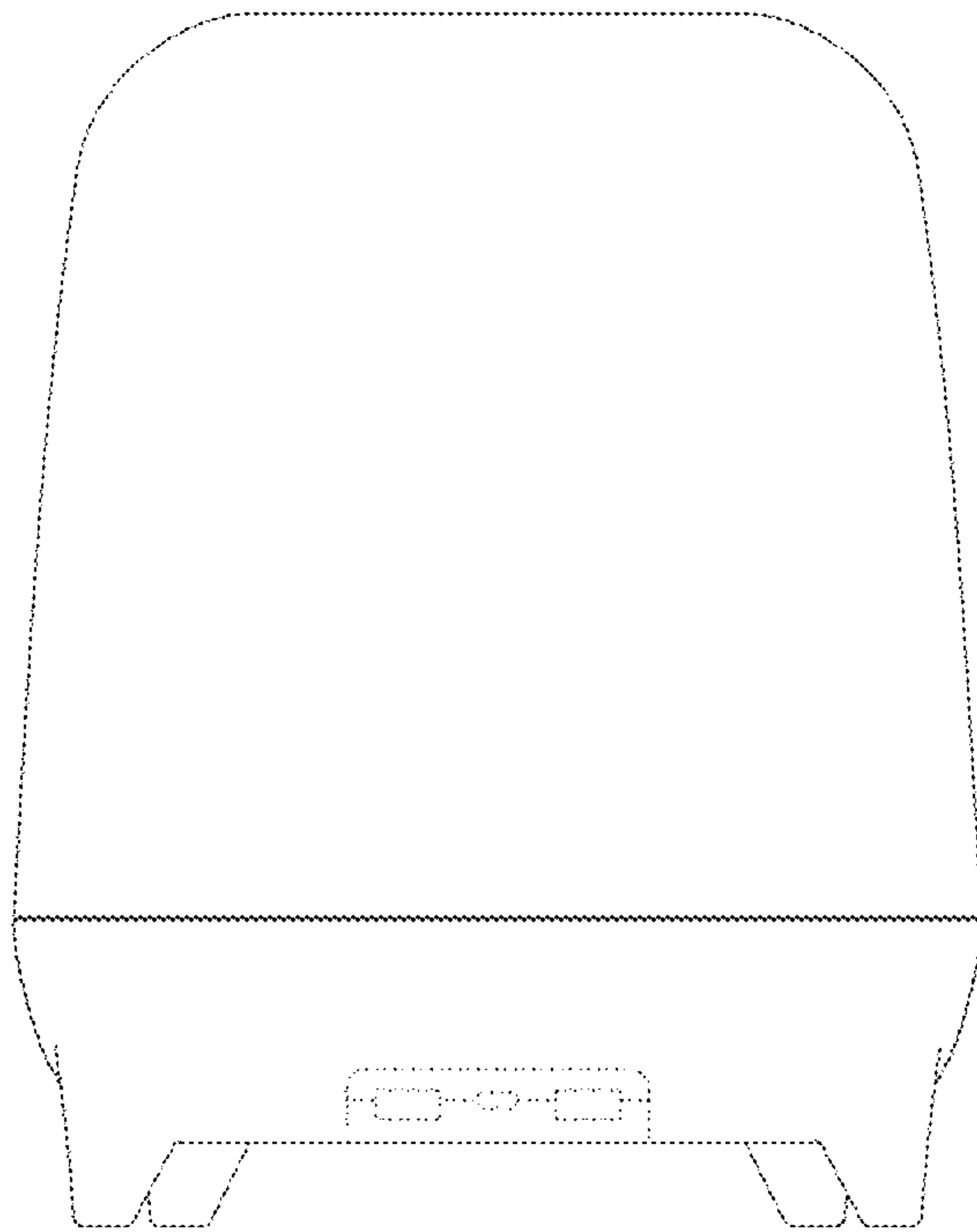
1.4



1.5



1.6



1.7

