



US00D942770S

(12) **United States Design Patent** (10) **Patent No.:** **US D942,770 S**
Ou (45) **Date of Patent:** **** Feb. 8, 2022**

(54) **PORTABLE FOLDABLE CRIB**
(71) Applicant: **GUANGZHOU DENG FENG LUGGAGE CO., LTD**, Guangzhou (CN)
(72) Inventor: **Lijun Ou**, Guangzhou (CN)
(73) Assignee: **GUANGZHOU DENG FENG LUGGAGE CO., LTD**, Guangzhou (CN)

(**) Term: **15 Years**

(21) Appl. No.: **29/778,799**

(22) Filed: **Apr. 15, 2021**

(30) **Foreign Application Priority Data**

Apr. 2, 2021 (CN) 2021301874206

(51) **LOC (13) Cl.** **06-02**

(52) **U.S. Cl.**
USPC **D6/391**

(58) **Field of Classification Search**
USPC D6/333, 344, 348, 715, 347, 390, 392, D6/716, 718.26, 382, 391; D23/278; D3/276, 283, 289
CPC ... A47C 3/02; A47D 1/00; A47D 9/02; A47D 13/02; A47D 13/10; A47D 13/107; A47D 7/00; A47D 9/00; A47D 15/003; A47D 15/008; A47D 9/005; A45C 3/001; A45C 3/00; A45C 13/02; A45C 2003/008; A45C 2009/007

See application file for complete search history.

(56) **References Cited**

U.S. PATENT DOCUMENTS

1,418,541 A * 6/1922 Demlinger A47D 9/00 5/97
2,071,016 A * 2/1937 Archer A47D 9/02 5/103

2,133,561 A * 10/1938 Thornton-Norris A47D 9/005 5/98.3
2,392,948 A * 1/1946 Reeves A47D 13/02 5/97
3,044,078 A * 7/1962 Hamilton A47D 7/002 5/100
D193,326 S * 8/1962 Hamilton D6/391
D620,708 S * 8/2010 Sanz D3/276
D625,102 S * 10/2010 Jacobs D3/289
D652,227 S 1/2012 Crumrine
8,336,136 B1 * 12/2012 Lantos A47L 9/1608 5/100
D782,820 S * 4/2017 Thompson D3/283
D891,143 S * 7/2020 Ren D6/391
D900,501 S 11/2020 Hu
D915,768 S * 4/2021 Lin D3/283
D920,588 S * 5/2021 Chen D30/108

(Continued)

Primary Examiner — Kevin K Rudzinski
Assistant Examiner — Paul D Bohannon

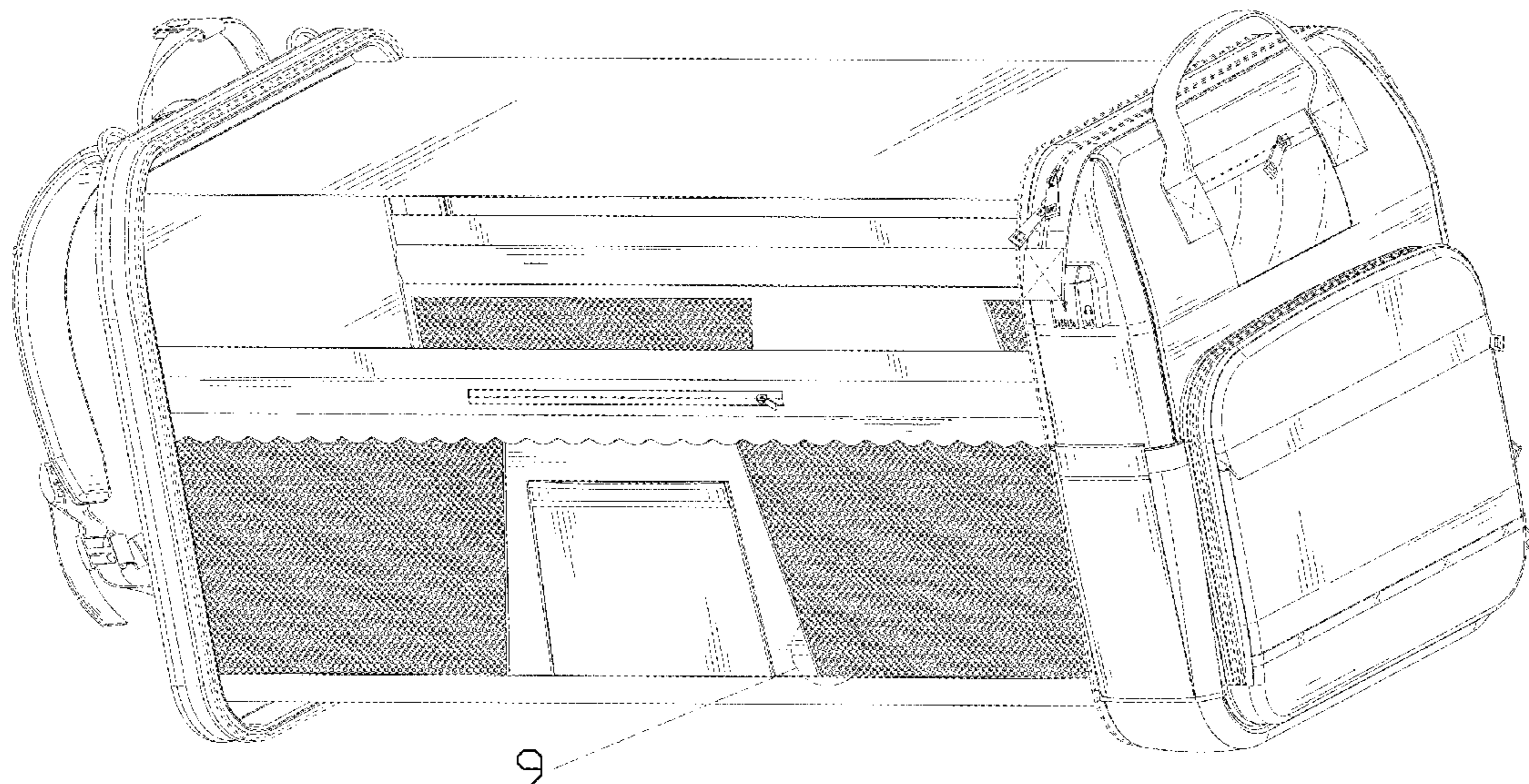
(57) **CLAIM**

The ornamental design for a portable foldable crib, as shown and described.

DESCRIPTION

FIG. 1 is a perspective view of a portable foldable crib showing my new design;
FIG. 2 is another perspective view thereof;
FIG. 3 is a front elevational view thereof;
FIG. 4 is a rear elevational view thereof;
FIG. 5 is a left side elevational view thereof;
FIG. 6 is a right side elevational view thereof;
FIG. 7 is a top plan view thereof;
FIG. 8 is a bottom plan view thereof; and,
FIG. 9 is an enlarged view of portion 9 shown in FIG. 1.
The broken lines in the drawings depict portions of the portable foldable crib that form no part of the claimed design.

1 Claim, 9 Drawing Sheets



(56)

References Cited

U.S. PATENT DOCUMENTS

2003/0057239 A1* 3/2003 Godshaw A45C 9/00
224/153
2010/0213020 A1* 8/2010 Lynch-Ringvold A45C 13/02
190/110
2013/0188892 A1* 7/2013 Bevier A45C 13/36
383/104
2014/0202814 A1* 7/2014 Collins A45C 3/001
190/113
2016/0102427 A1* 4/2016 Cohen A45C 13/1046
383/16
2017/0360216 A1* 12/2017 Sclare A47D 9/02

* cited by examiner

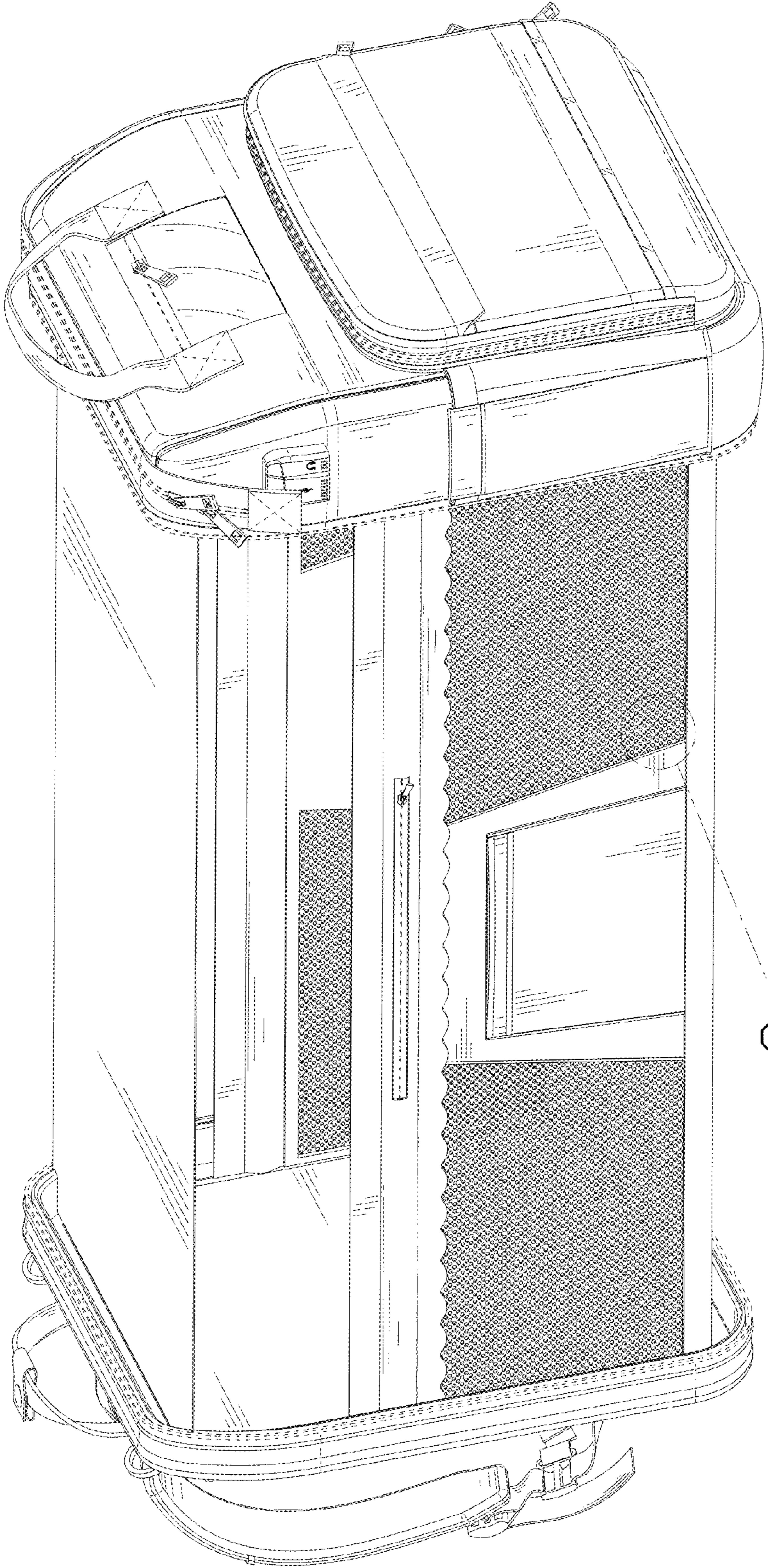


FIG. 1

9

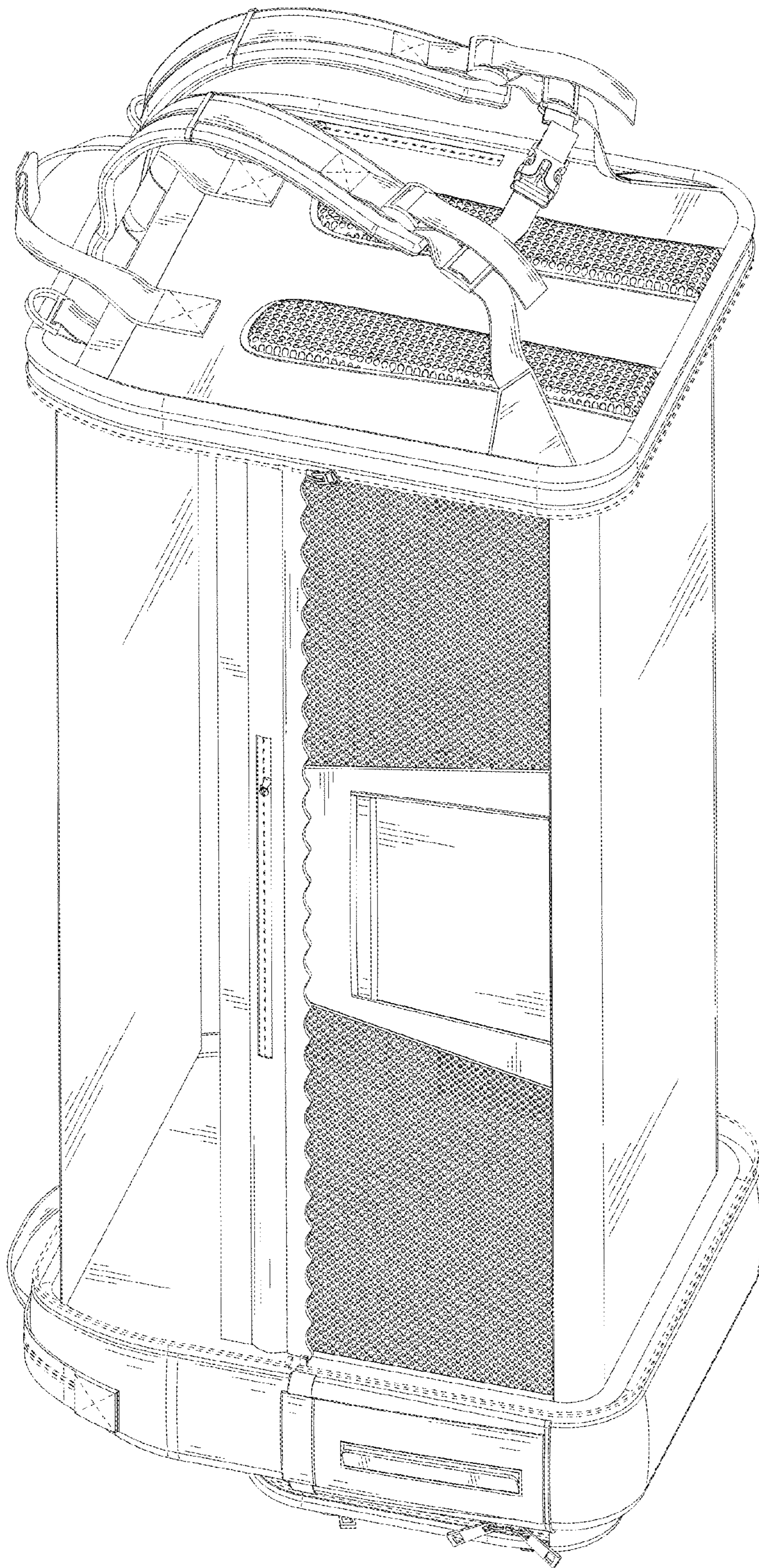


FIG. 2

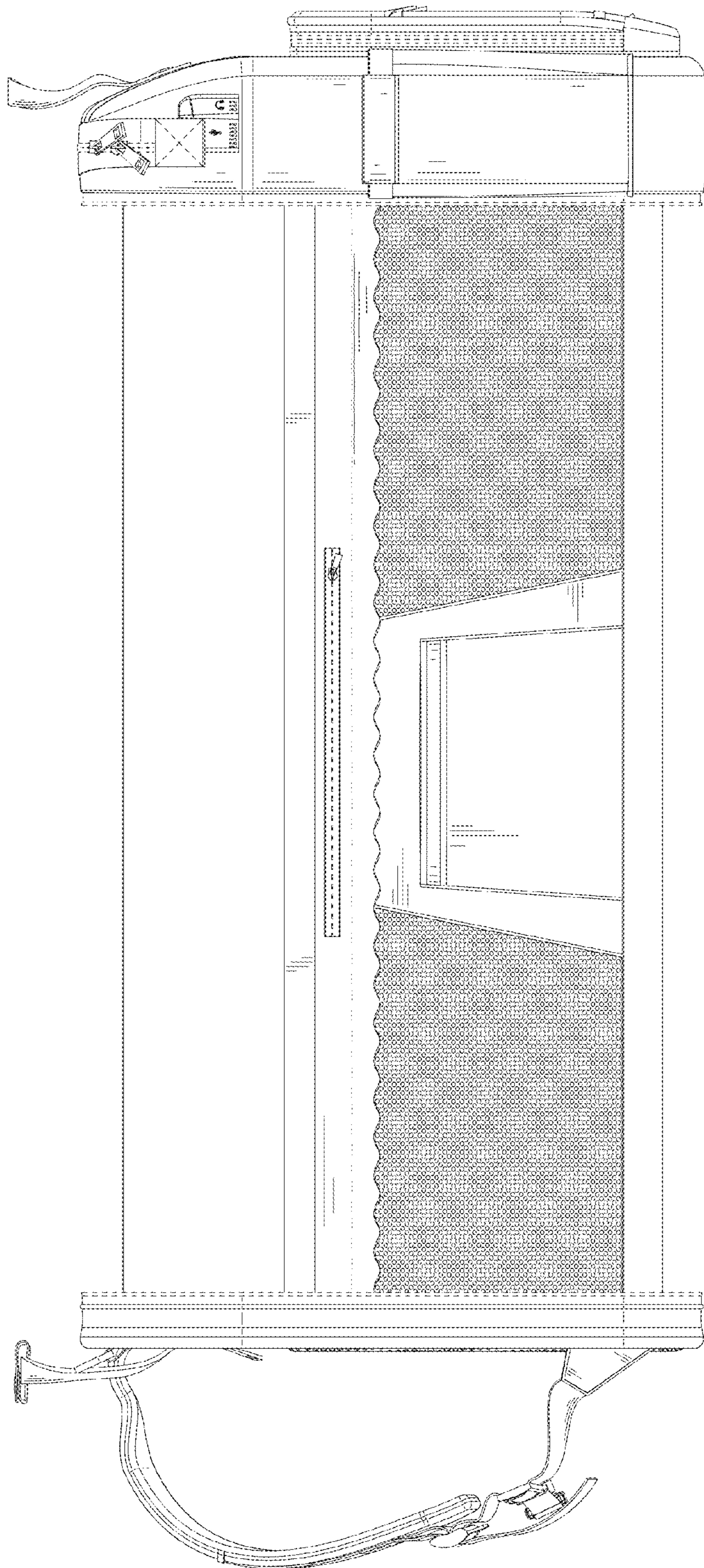


FIG. 3

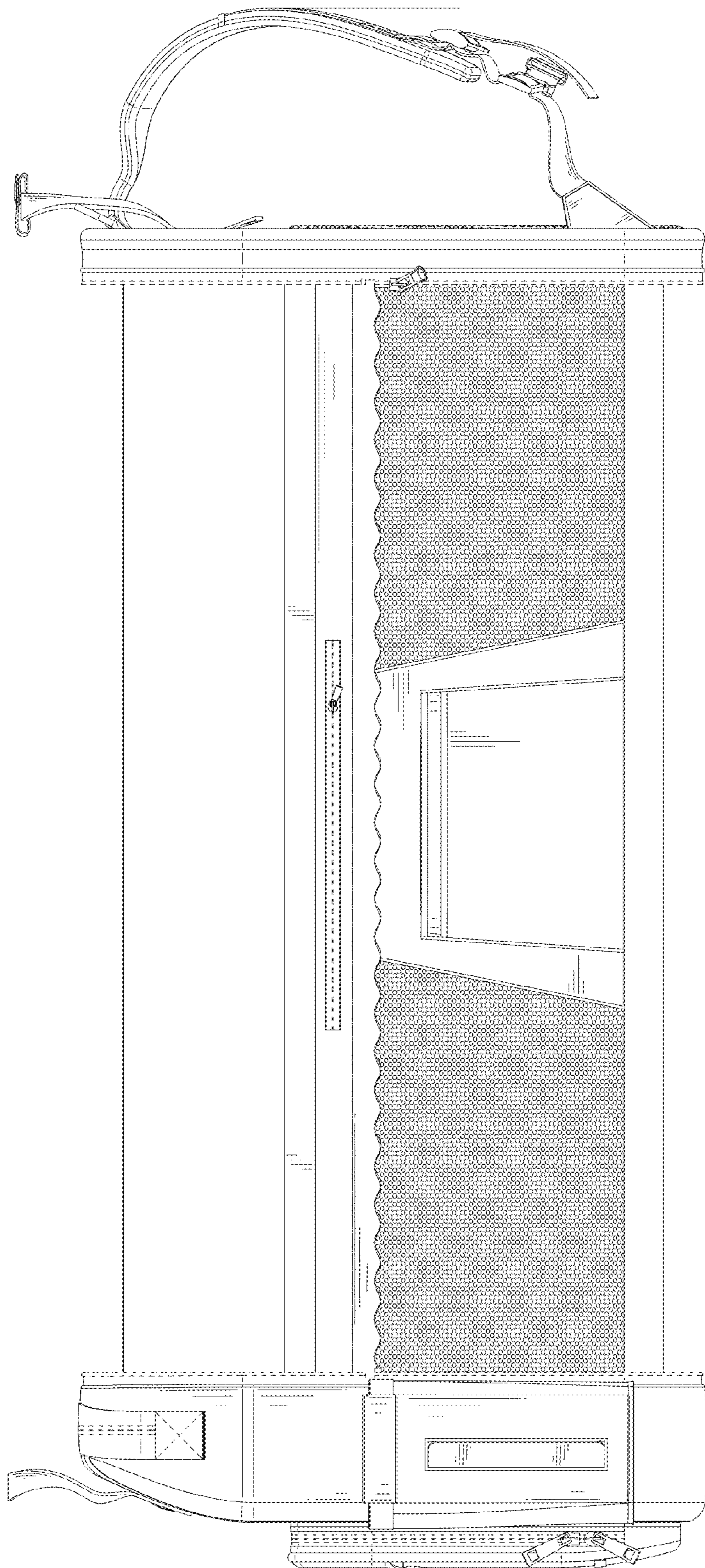


FIG. 4

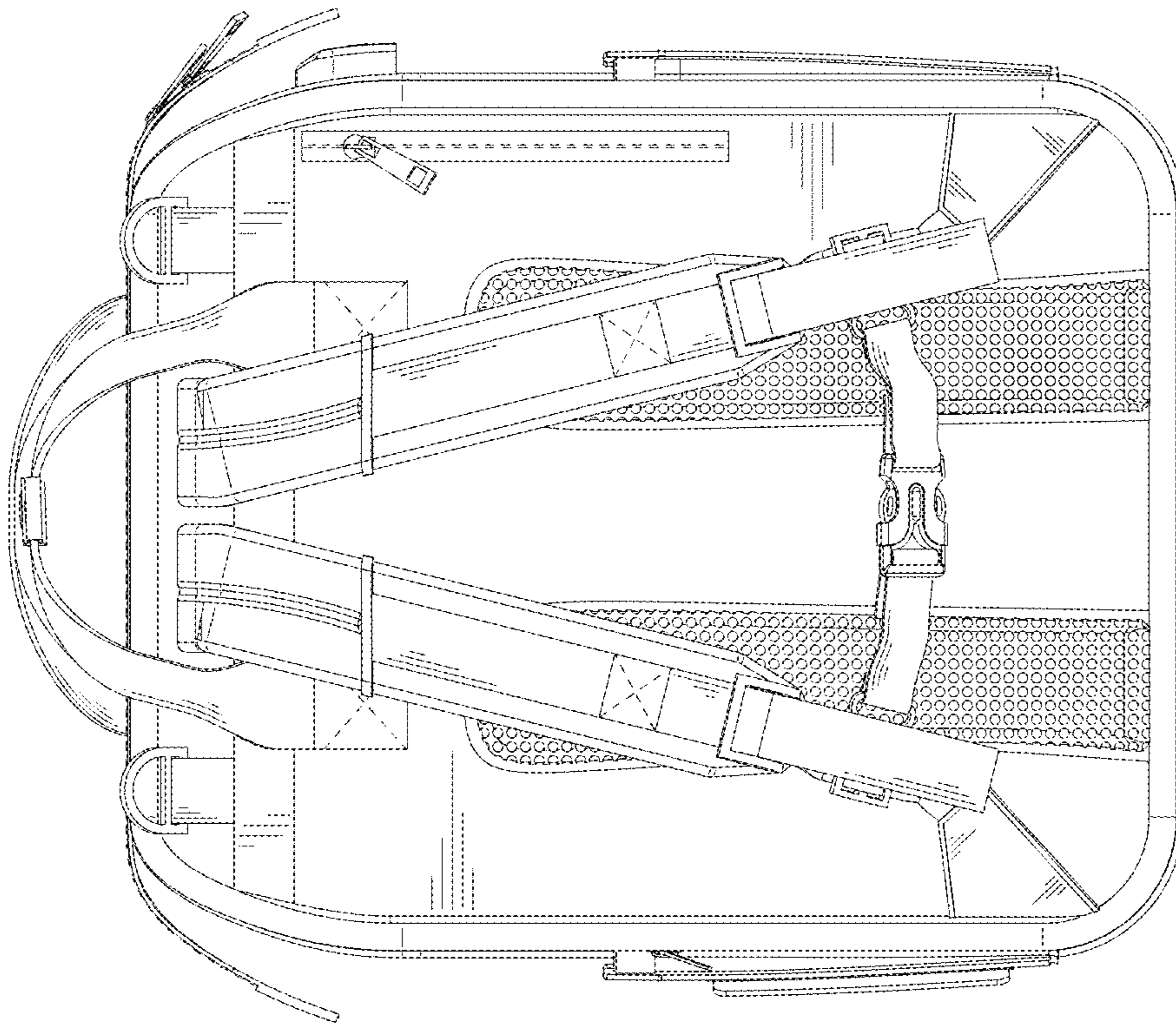


FIG. 5

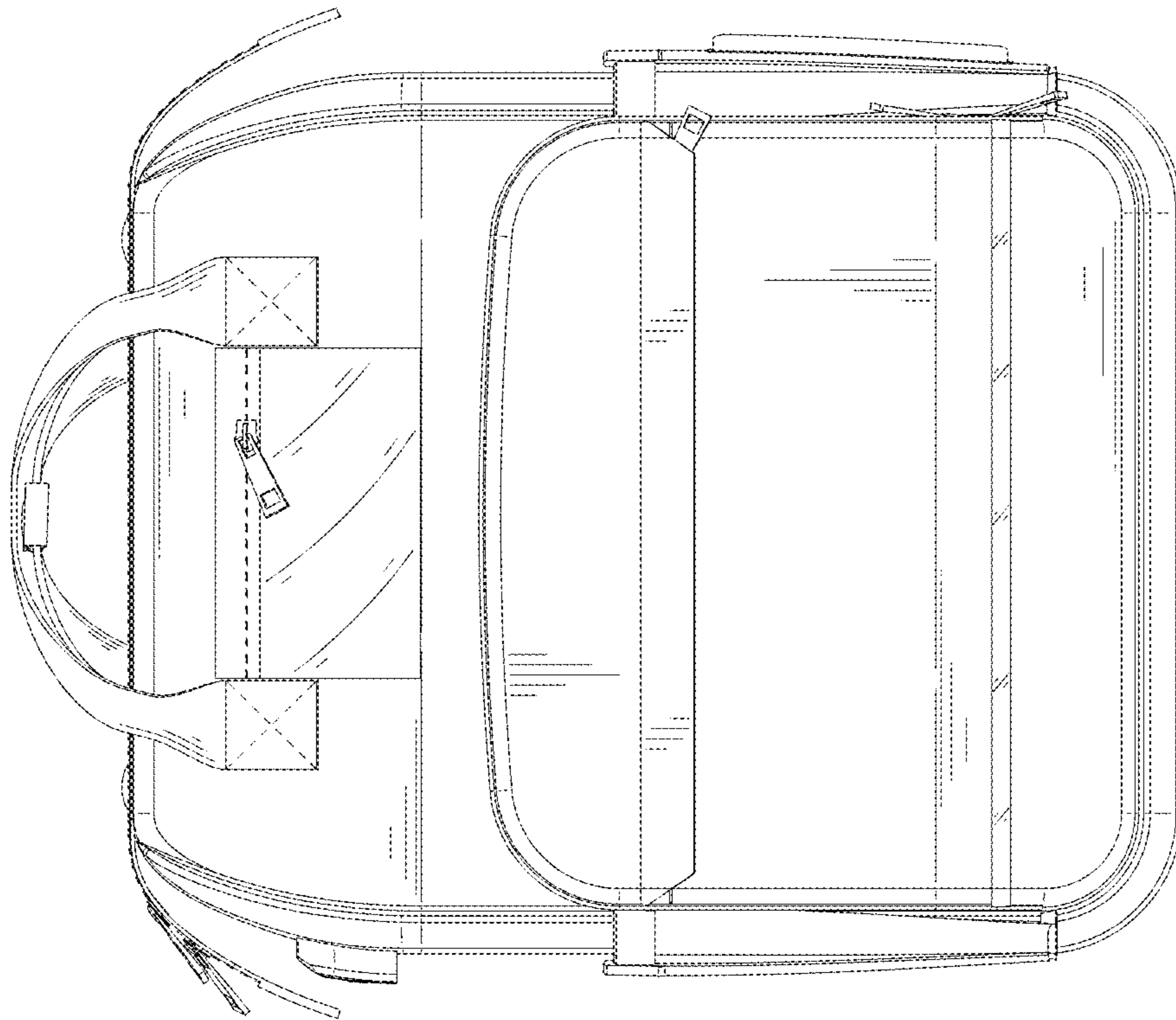


FIG. 6

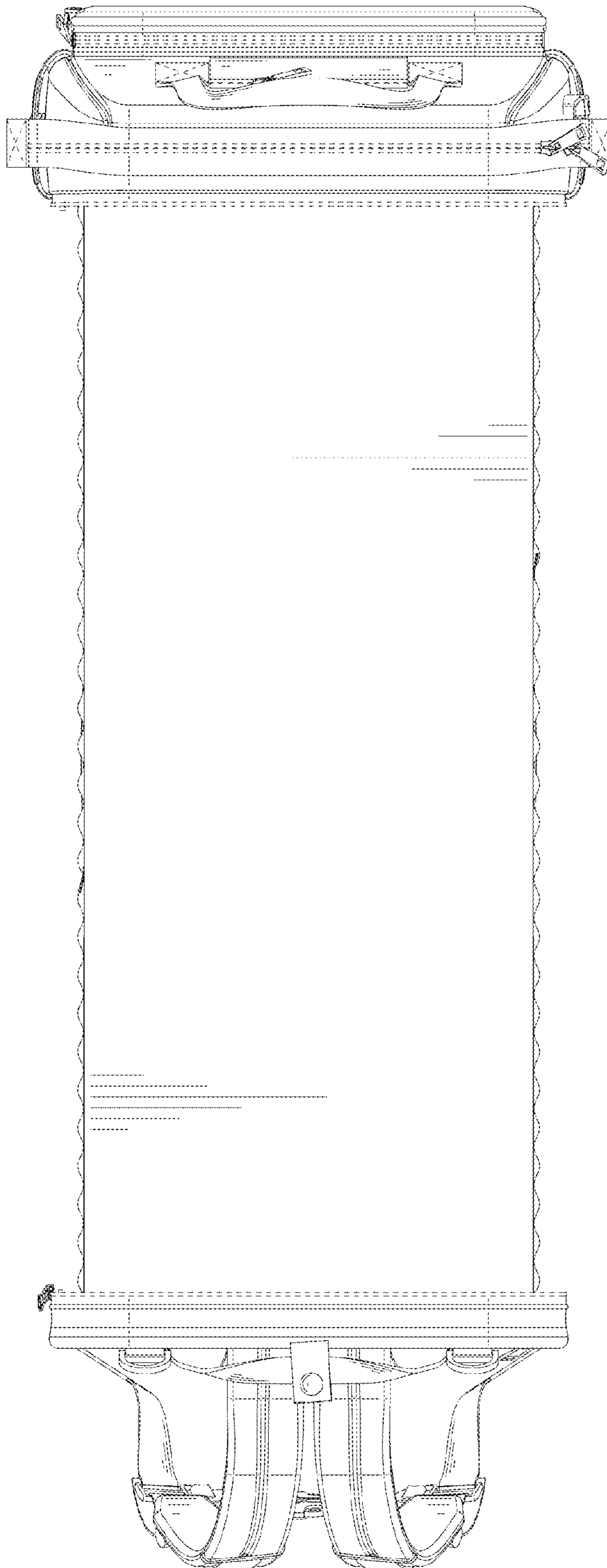


FIG. 7

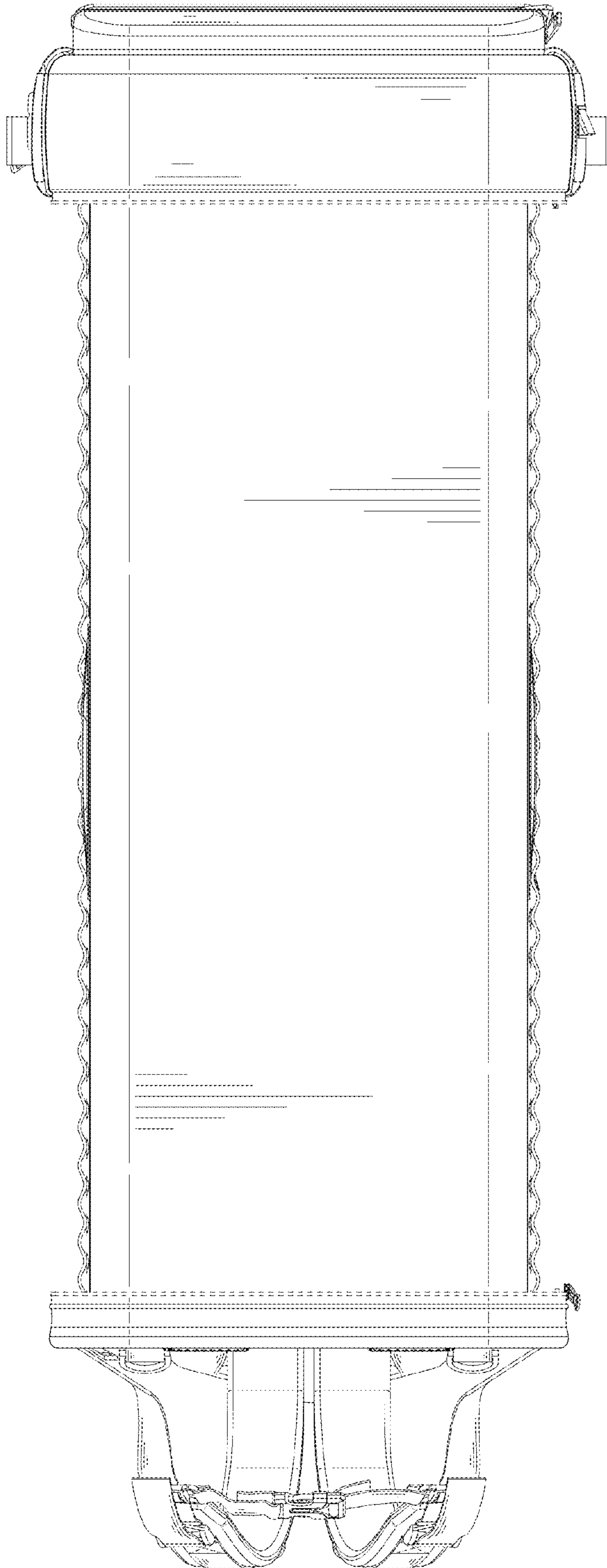


FIG. 8

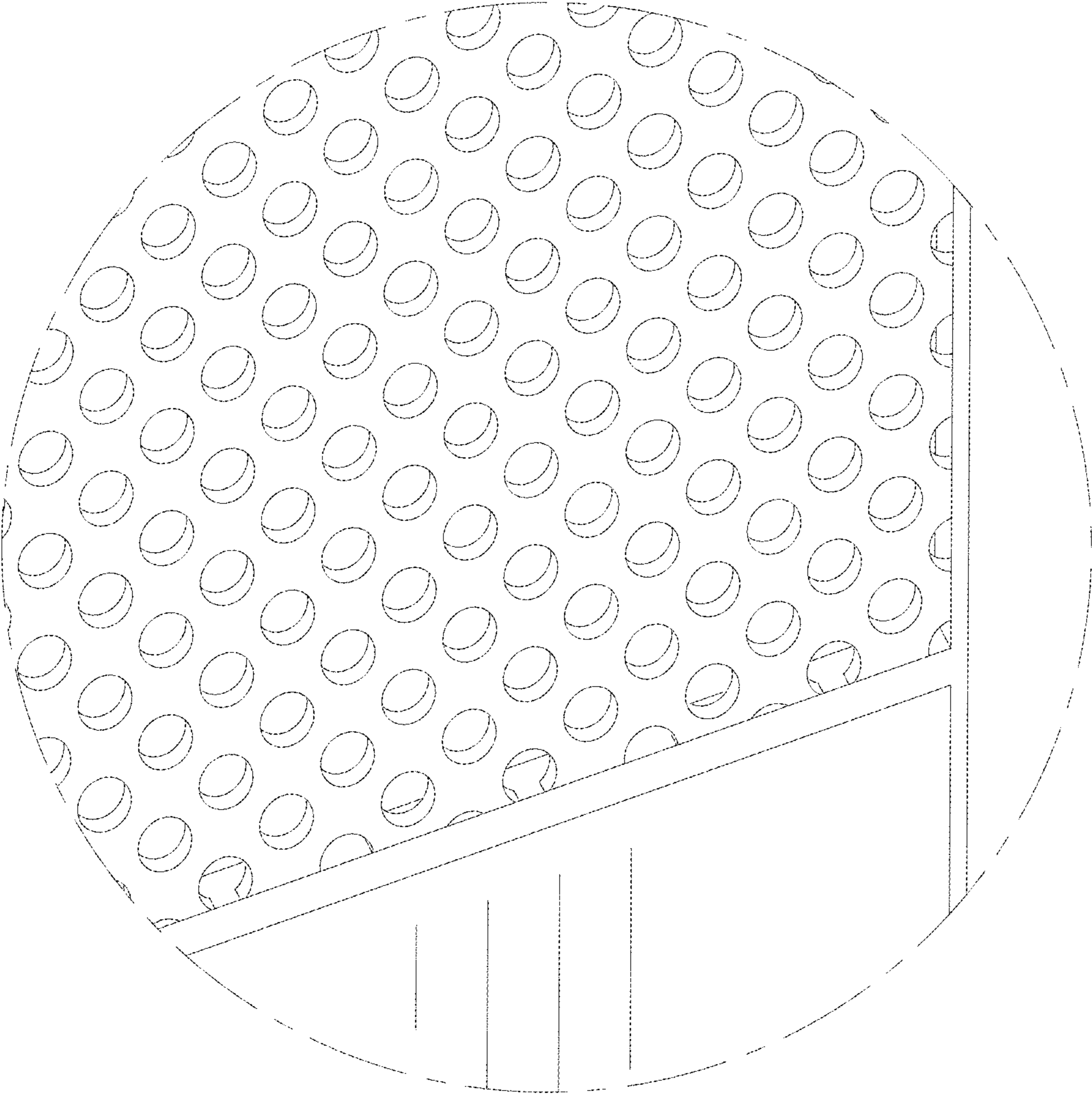


FIG. 9