



US00D942768S

(12) **United States Design Patent** (10) **Patent No.:** **US D942,768 S**  
**Hutchinson** (45) **Date of Patent:** **\*\* Feb. 8, 2022**

(54) **CHILD'S FOLDABLE BEACH OR LAWN CHAIR**

2019/0045908 A1\* 2/2019 Zhu ..... A47C 4/28  
2020/0214450 A1\* 7/2020 Garrison ..... A47C 4/283  
2020/0214451 A1\* 7/2020 Garrison ..... A47C 4/28

(71) Applicant: **LowTides OP, LLC**, Wilmington, DE (US)

OTHER PUBLICATIONS

(72) Inventor: **Brenton Hutchinson**, Red Bank, NJ (US)

LowTides Gully Child Beach Chair—Surfer Dude, islandbeachgear.com, Retrieved Date: Oct. 19, 2021, p. 1, from <https://www.islandbeachgear.com/catalog/product/view/id/29969/s/lowtides-gully-child-beach-chair-surfer-dude/> (Year: 2021).\*

(73) Assignee: **LowTides OP, LLC**, Wilmington, DE (US)

\* cited by examiner

(\*\*) Term: **15 Years**

Primary Examiner — Mimoso De

(21) Appl. No.: **29/730,097**

(74) Attorney, Agent, or Firm — Caesar Rivise, PC

(22) Filed: **Apr. 1, 2020**

(57) **CLAIM**

The ornamental design for the child's foldable beach or lawn chair, as shown and described.

(51) **LOC (13) Cl.** ..... **06-01**

**DESCRIPTION**

(52) **U.S. Cl.**

USPC ..... **D6/368**

(58) **Field of Classification Search**

USPC ..... D6/334–336, 367, 368, 371, 372, 373, D6/374, 375, 379, 380, 716, 716.1, 716.2, D6/716.3, 716.4; D21/512

CPC .... A47C 1/14; A47C 4/03; A47C 4/28; A47C 4/283; A47C 4/30; A47C 4/38; A47C 4/40; A47C 4/42; A47C 4/44; A47C 4/46; A47C 4/48; A47C 4/50; A47C 5/06; A47C 5/10; A47C 31/11

See application file for complete search history.

FIG. 1 is an isometric view taken from one angle of a child's foldable beach or lawn chair in accordance with my new design;

FIG. 2 is an isometric view, similar to FIG. 1, but taken from another angle of the child's foldable beach or lawn chair in accordance with my new design;

FIG. 3 is a front elevation view of the child's foldable beach or lawn chair shown in FIGS. 1 and 2;

FIG. 4 is a rear elevation view of the child's foldable beach or lawn chair shown in FIGS. 1 and 2;

FIG. 5 is a left side elevation view of the child's foldable beach or lawn chair shown in FIGS. 1 and 2;

FIG. 6 is a right side elevation view of the child's foldable beach or lawn chair shown in FIGS. 1 and 2;

FIG. 7 is a top plan view of the child's foldable beach or lawn chair shown in FIGS. 1 and 2; and,

FIG. 8 is a bottom plan view of the child's foldable beach or lawn chair shown in FIGS. 1 and 2.

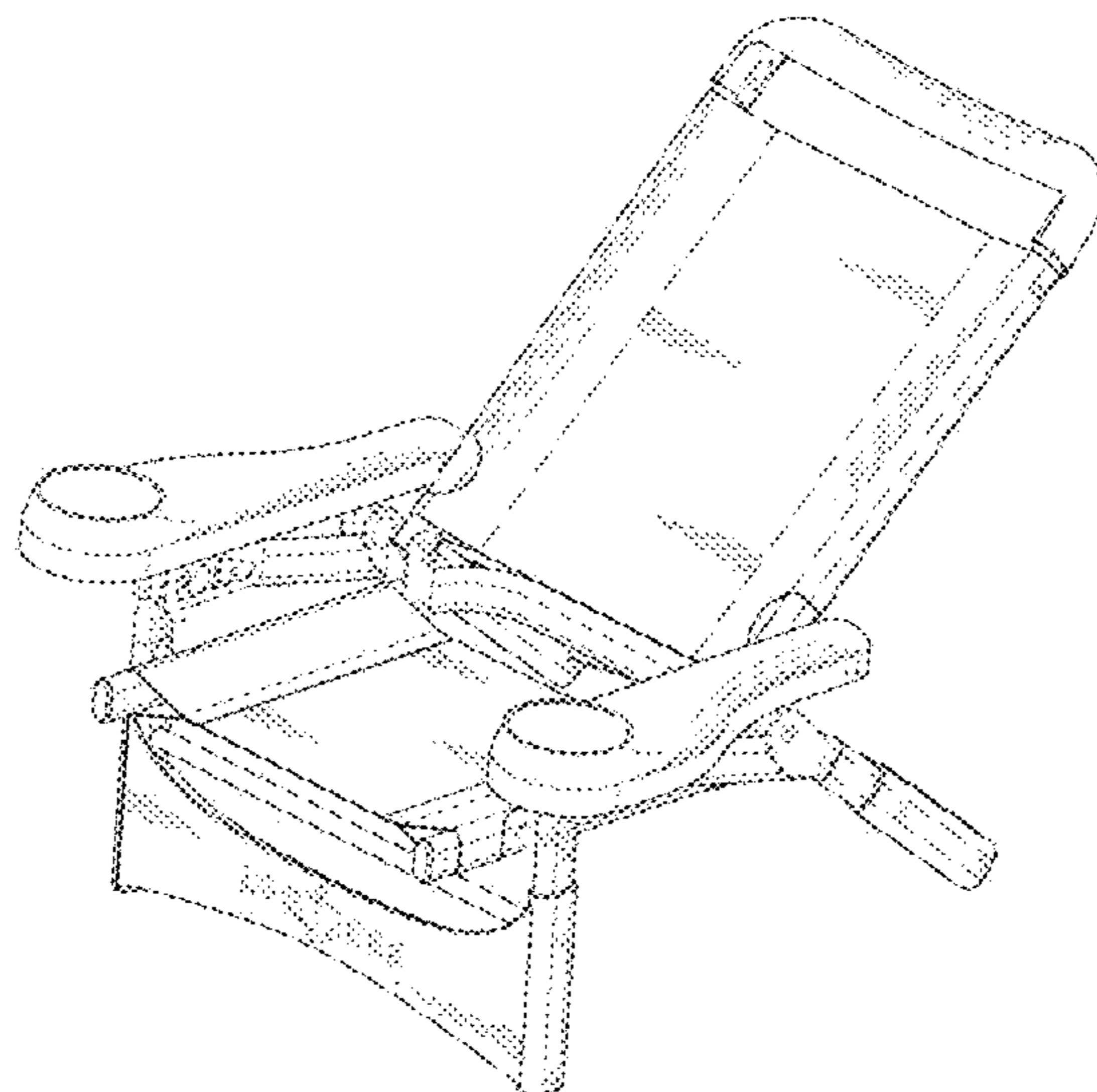
The broken lines in the various figures are directed to unclaimed portions of the child's foldable beach or lawn chair and form no part of the claimed design.

(56) **References Cited**

U.S. PATENT DOCUMENTS

6,827,396 B1\* 12/2004 Jewell ..... A47C 7/42  
297/16.1  
D844,338 S \* 4/2019 Franks ..... D6/368  
D880,920 S \* 4/2020 Cohen ..... D6/716.2  
D911,730 S \* 3/2021 Doolan ..... D6/368  
D929,758 S \* 9/2021 Hutchinson ..... D6/368  
D930,377 S \* 9/2021 Hutchinson ..... D6/368  
2012/0280549 A1\* 11/2012 Goldszer ..... A47C 4/00  
297/359

**1 Claim, 8 Drawing Sheets**



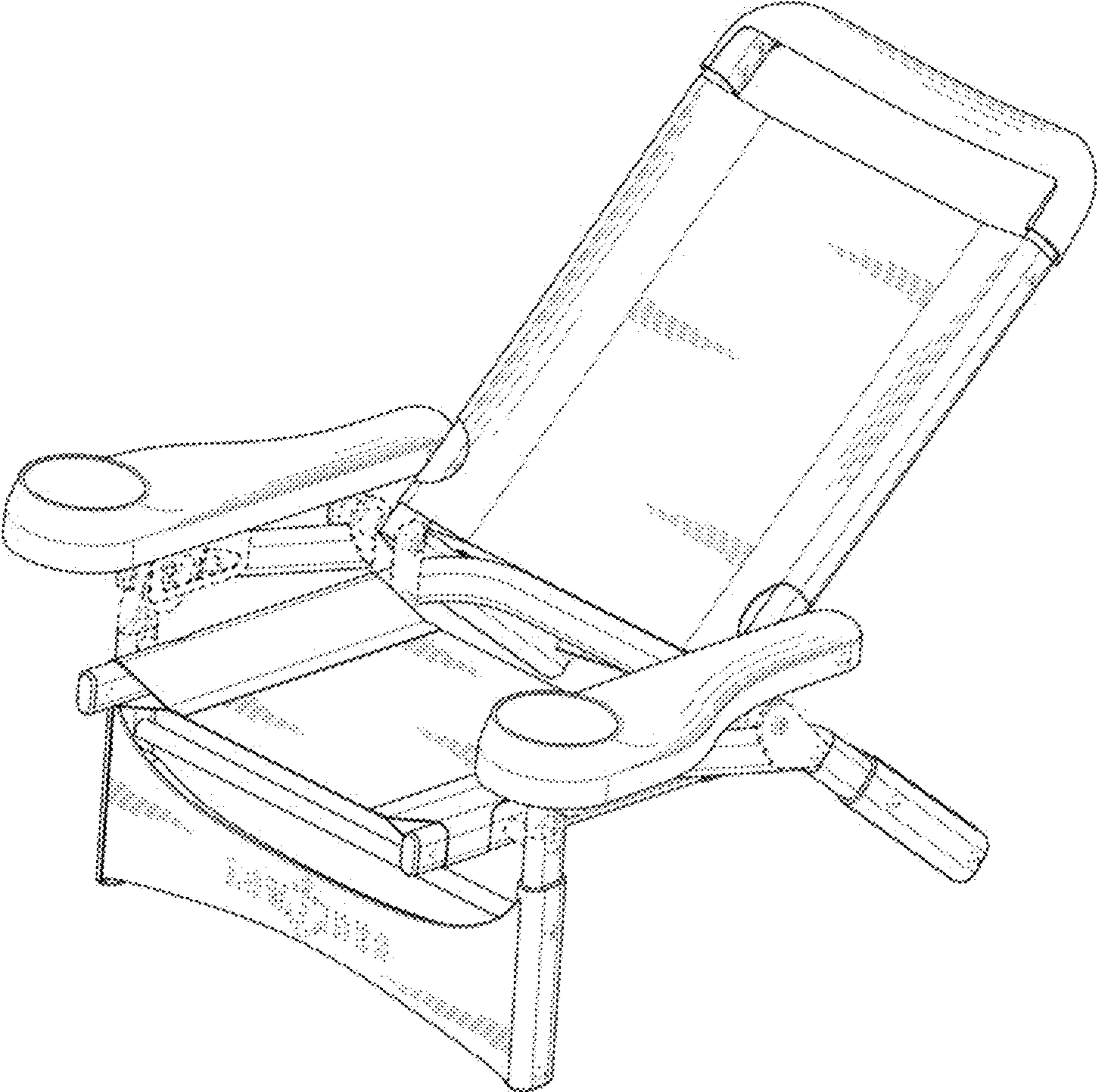


FIG. 1

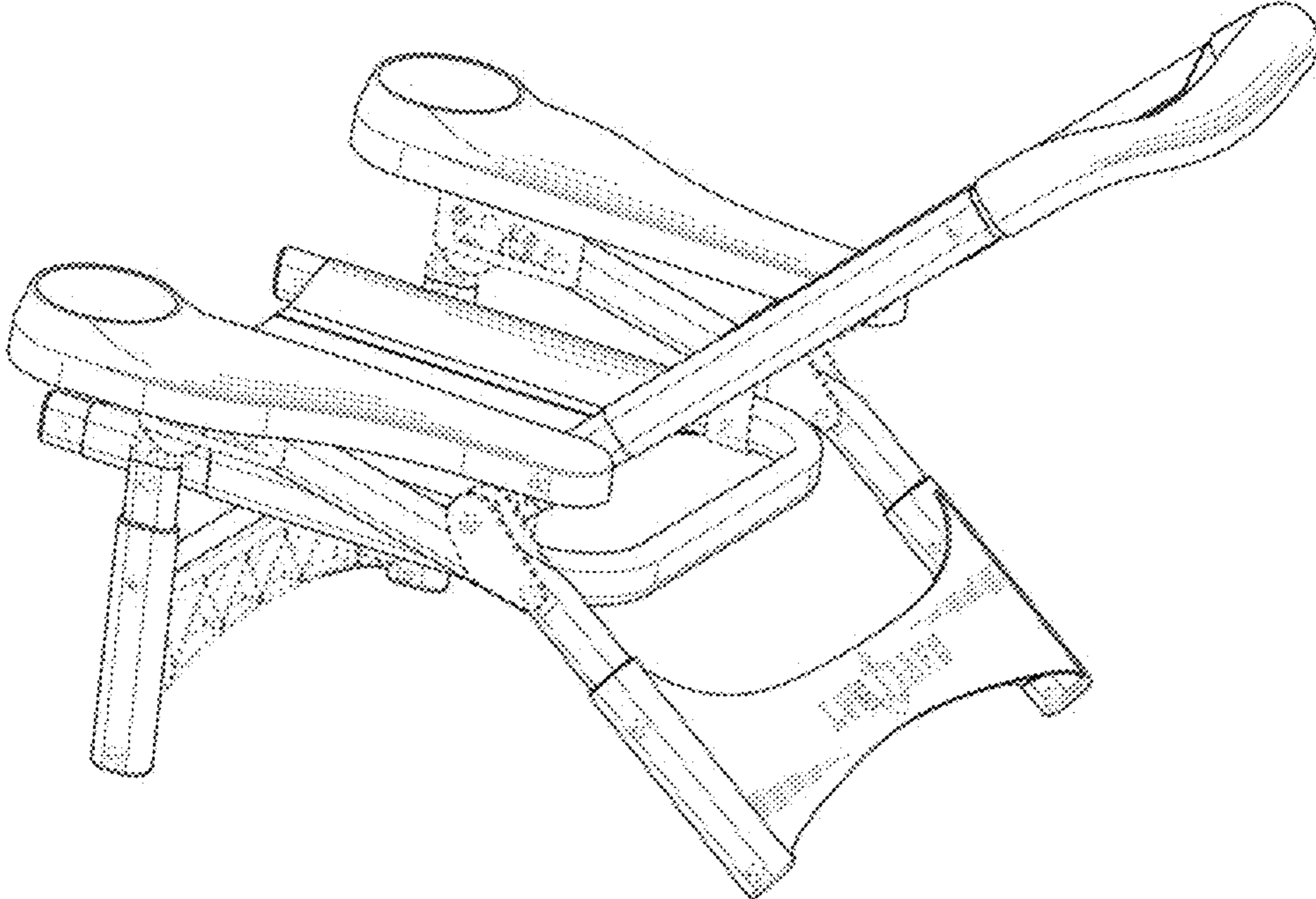


FIG. 2

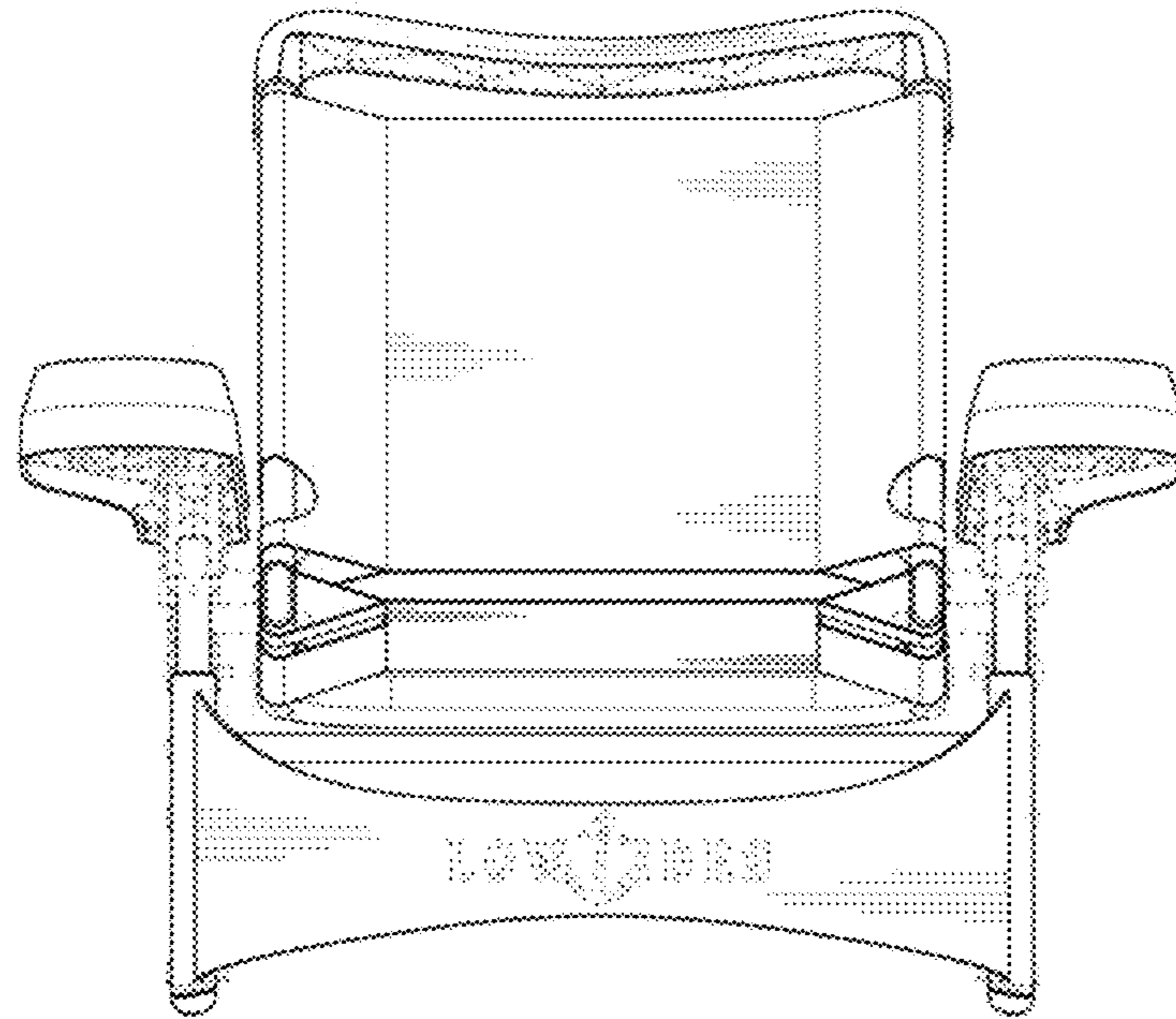


FIG. 3

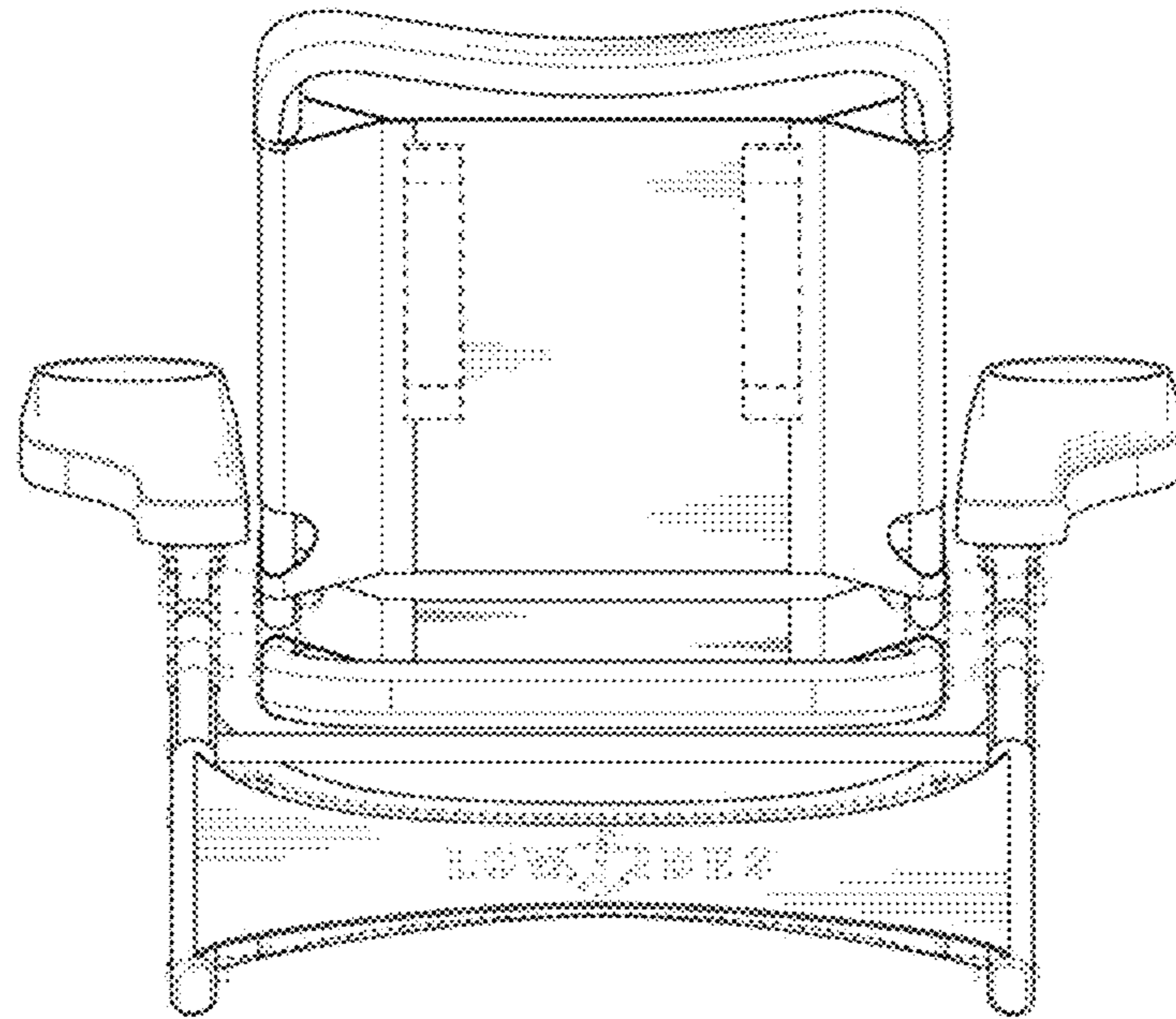


FIG. 4

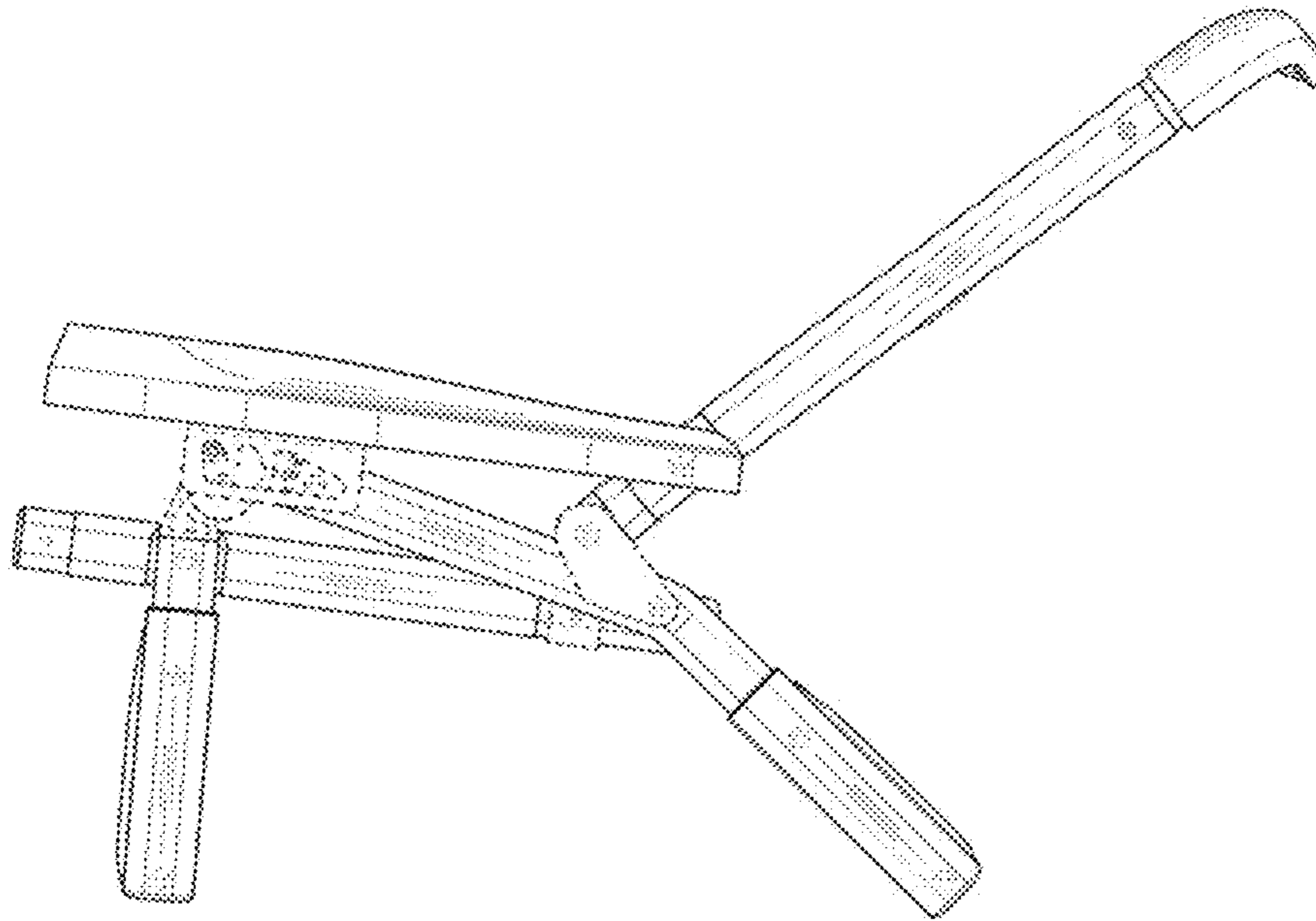


FIG. 5

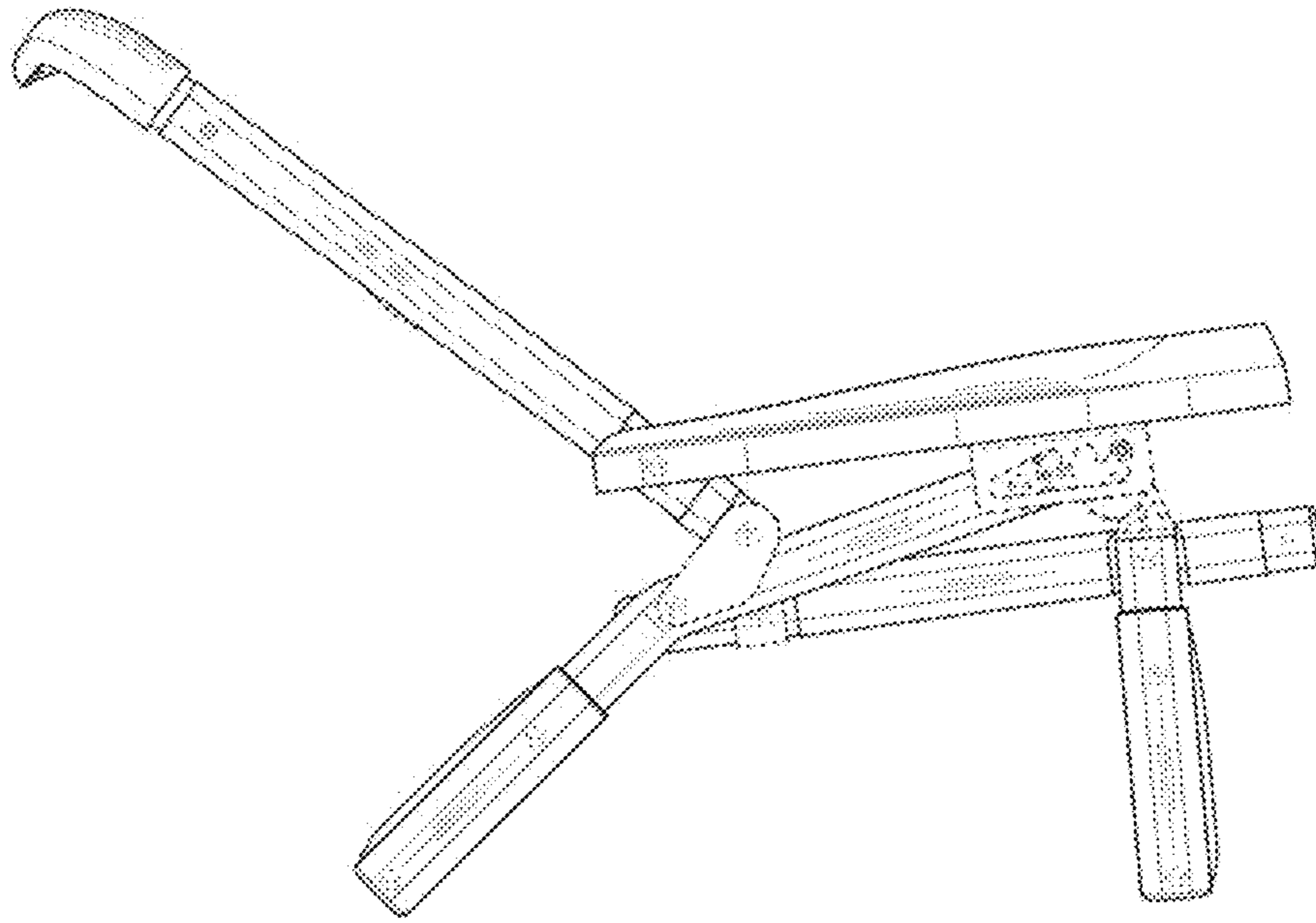


FIG. 6

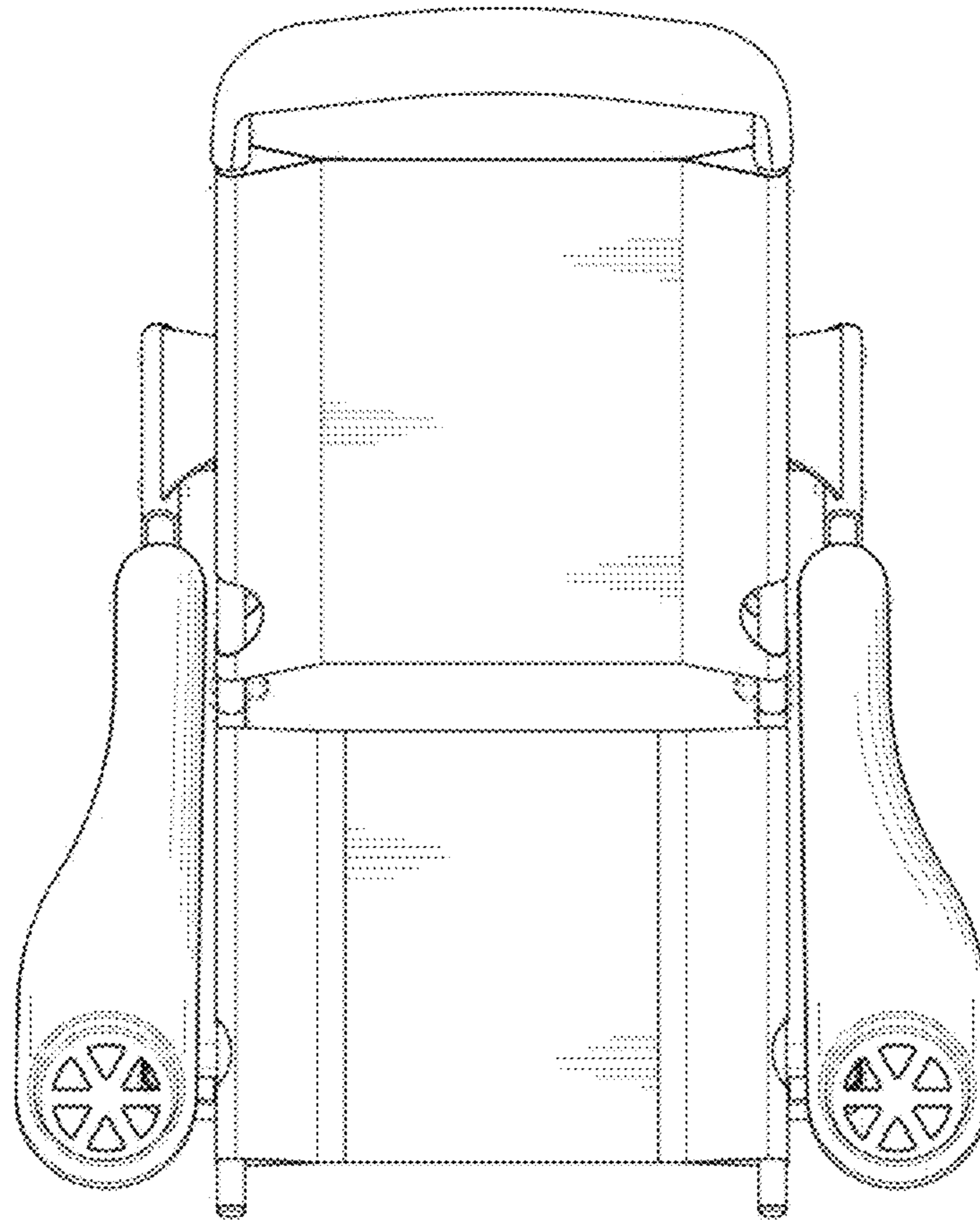


FIG. 7



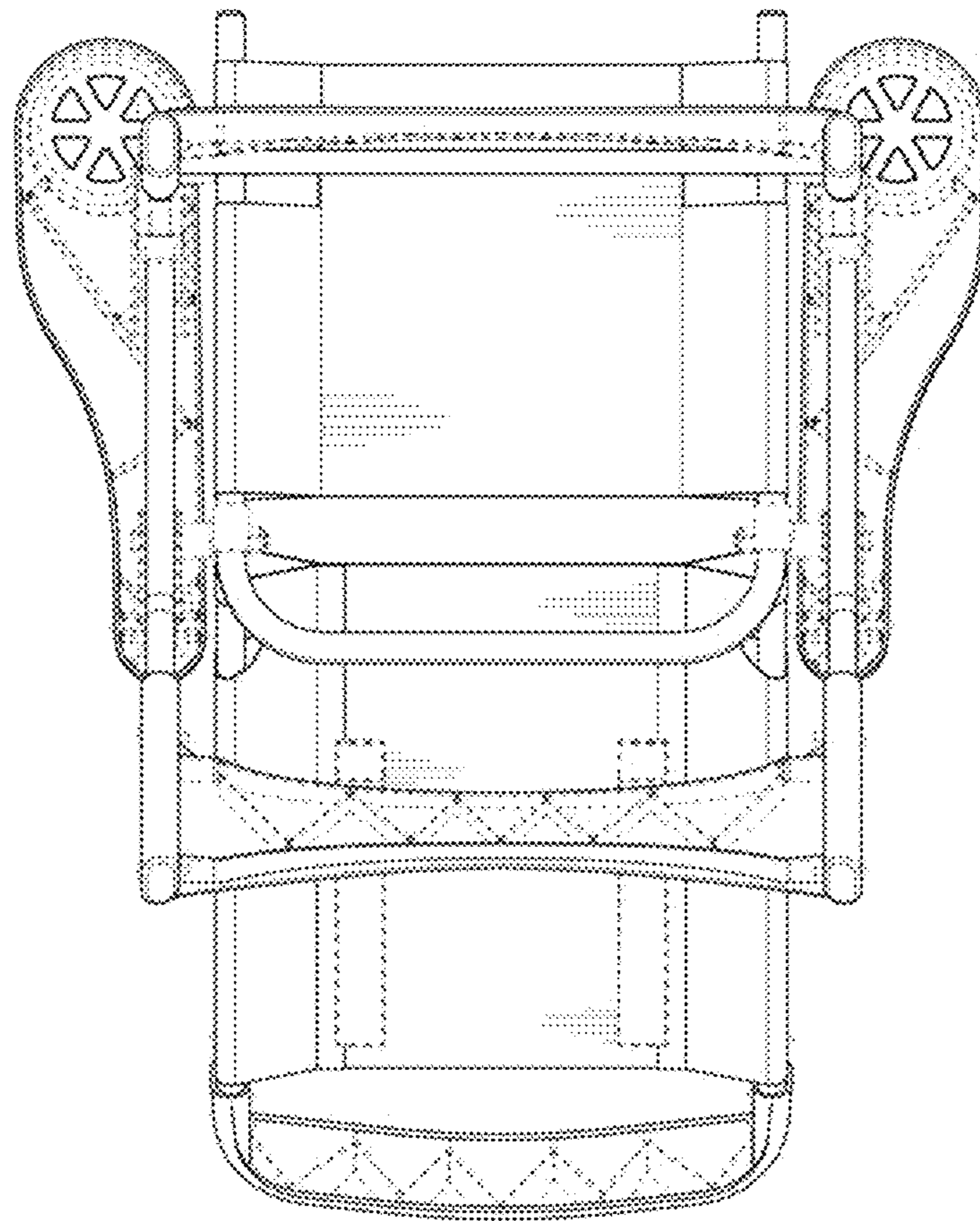


FIG. 8