

US00D942766S

(12) **United States Design Patent** (10) **Patent No.:** **US D942,766 S**
Miles (45) **Date of Patent:** **** Feb. 8, 2022**

(54) **TRANSPORTATION SEAT SIDE SUPPORT**

(71) Applicants: **UNIVERSAL MOVEMENT LTD,**
London (GB); **SAFRAN SEATS,**
Plaisir (FR)

(72) Inventor: **Luke Miles,** London (GB)

(73) Assignees: **UNIVERSAL MOVEMENT LTD,**
London (GB); **SAFRAN SEATS,**
Plaisir (FR)

(**) Term: **15 Years**

(21) Appl. No.: **29/730,139**

(22) Filed: **Apr. 1, 2020**

(51) **LOC (13) Cl.** **06-01**

(52) **U.S. Cl.**
USPC **D6/356**

(58) **Field of Classification Search**
USPC D6/334–338, 356
CPC B64D 11/00; B64D 11/06; B64D 11/0601;
B64D 11/0602; B64D 11/0605; B64D
11/0606; B64D 11/0646; B60N 2/00;
B60N 2/01; B60N 2/24; B60N 3/001;
B60N 3/002

See application file for complete search history.

(56) **References Cited**

U.S. PATENT DOCUMENTS

- 5,213,392 A * 5/1993 Bostrom A62B 25/00
297/188.04
- D390,367 S * 2/1998 Demski D6/336
- D392,116 S * 3/1998 Tomforde D6/356
- D419,317 S * 1/2000 Pond D6/356
- D453,425 S * 2/2002 Clarke D6/356
- D475,542 S * 6/2003 Pfeiffer D6/356

- D509,077 S * 9/2005 Beermann D6/356
- D569,664 S * 5/2008 Schweikarth D6/716
- D579,220 S * 10/2008 Schrodel D6/356
- D586,156 S * 2/2009 Schweikarth D6/716
- D653,465 S * 2/2012 Osborne D6/356
- D856,692 S * 8/2019 Veneruso D6/356
- D895,312 S * 9/2020 Aung D6/356
- D909,268 S * 2/2021 Harcup D12/195
- 2012/0018988 A1 * 1/2012 Schuller B60R 21/239
280/730.2
- 2014/0117731 A1 * 5/2014 Asli B64D 11/0647
297/284.9
- 2016/0311344 A1 * 10/2016 Smith B60N 2/5825
- 2019/0217807 A1 * 7/2019 Kobayashi B60R 21/233
- 2020/0391692 A1 * 12/2020 Hashimoto B60R 21/207

* cited by examiner

Primary Examiner — Jennifer L Rempfer

(74) *Attorney, Agent, or Firm* — EIP US LLP

(57) **CLAIM**

I claim a new ornamental design of a transportation seat side support, as shown and described.

DESCRIPTION

FIG. 1 is a perspective view showing our new ornamental design of a transportation seat side support.

FIG. 2 is a front view thereof;

FIG. 3 is a rear view thereof;

FIG. 4 is a top view thereof;

FIG. 5 is a bottom view thereof;

FIG. 6 is a left side view thereof; and

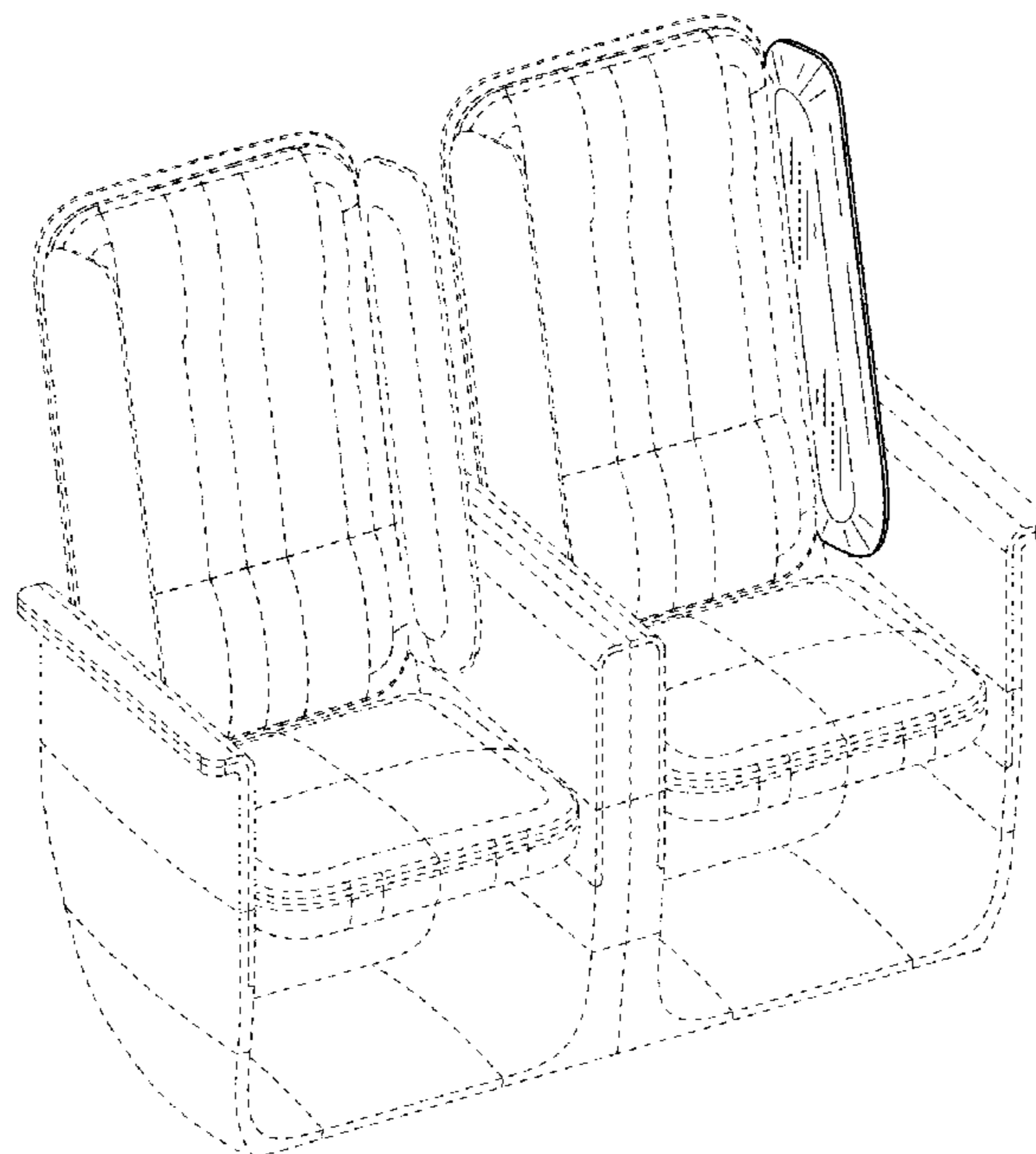
FIG. 7 is a right side view thereof;

FIG. 8 is a sectional view along line 8-8 of FIG. 2; and,

FIG. 9 is a sectional view along line 9-9 of FIG. 2.

Dashed or otherwise broken lines are used for illustrative purposes only to give environmental context to the claimed design and do not form any part of the claimed design.

1 Claim, 9 Drawing Sheets



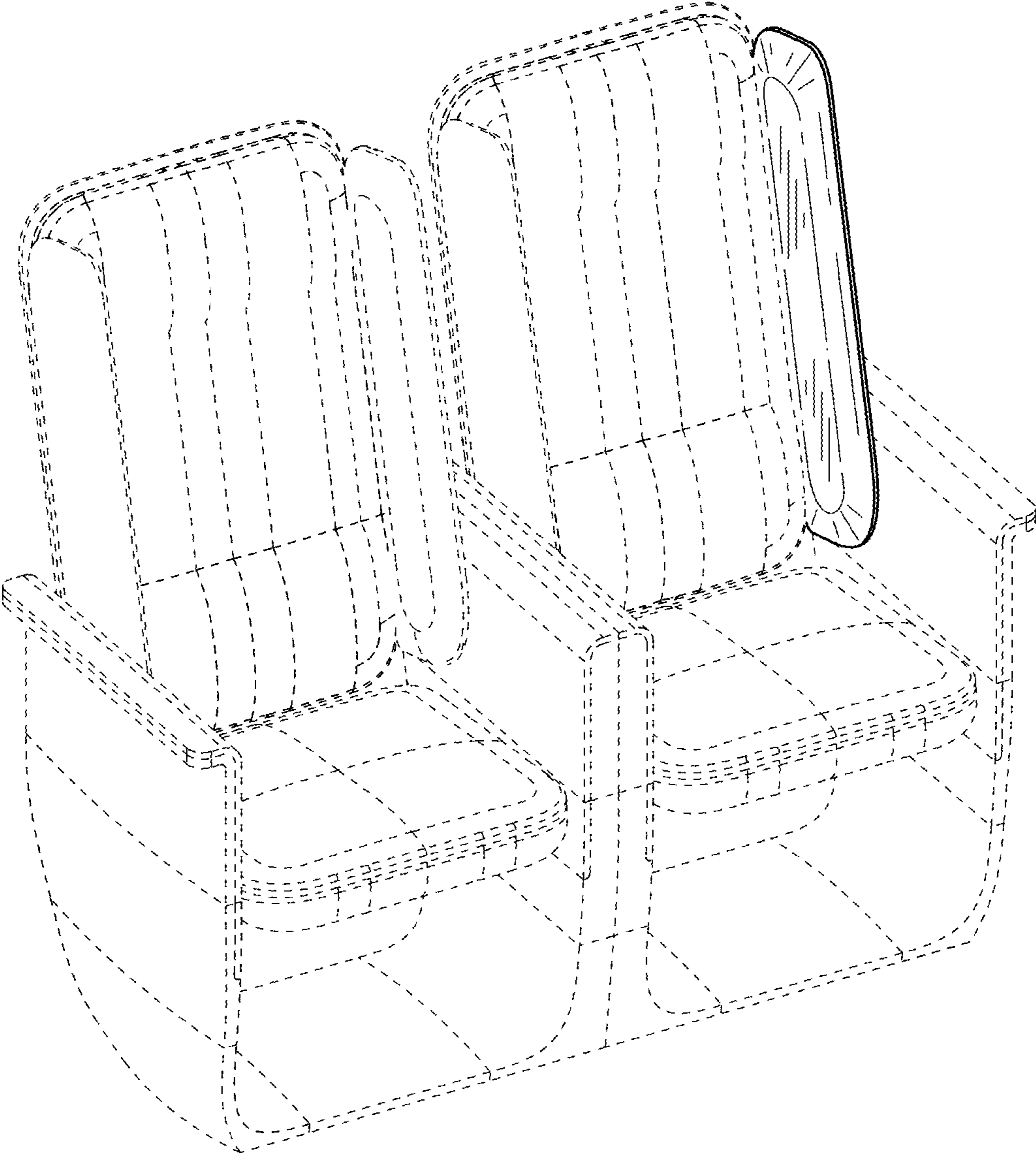


FIG. 1

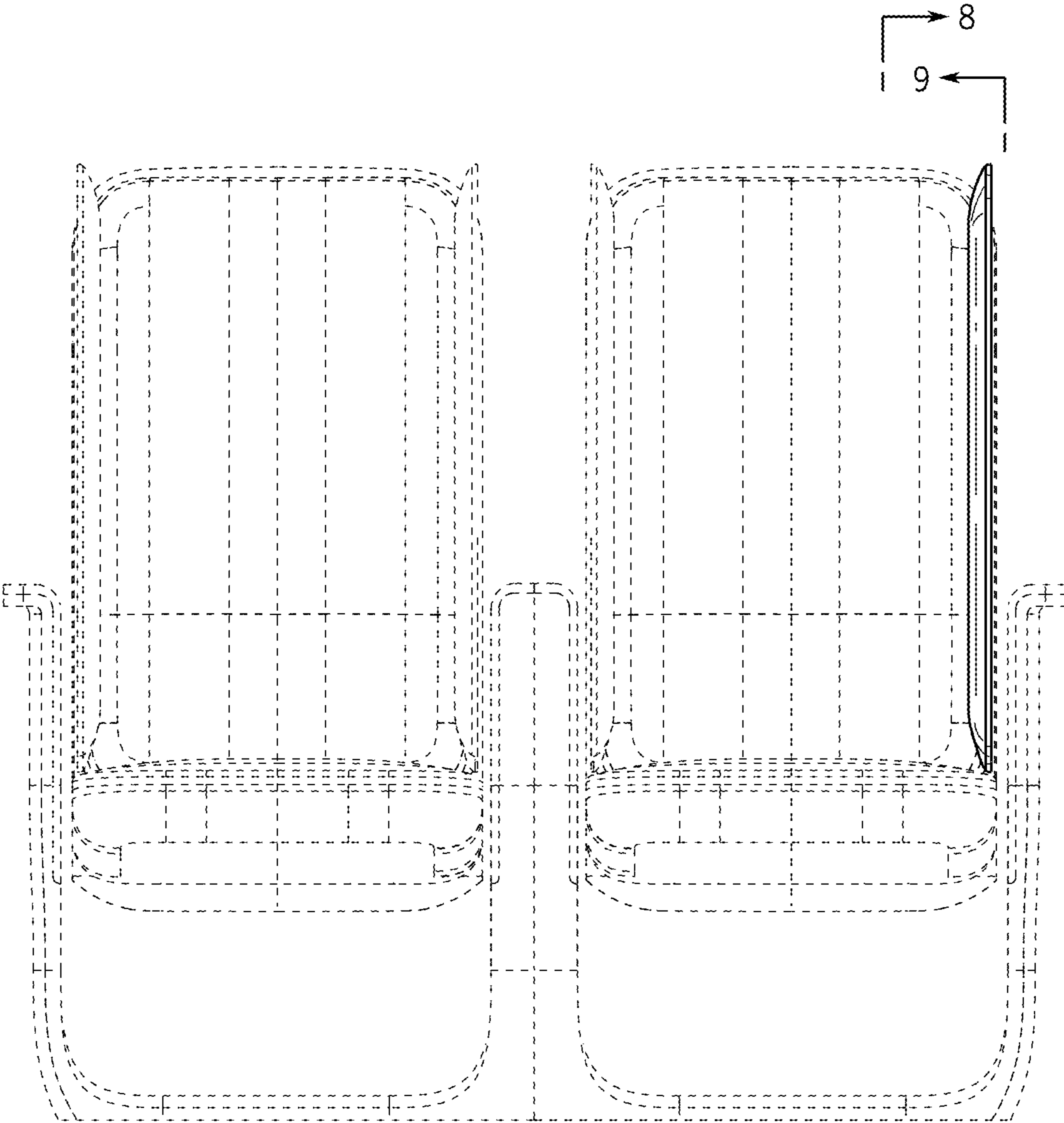
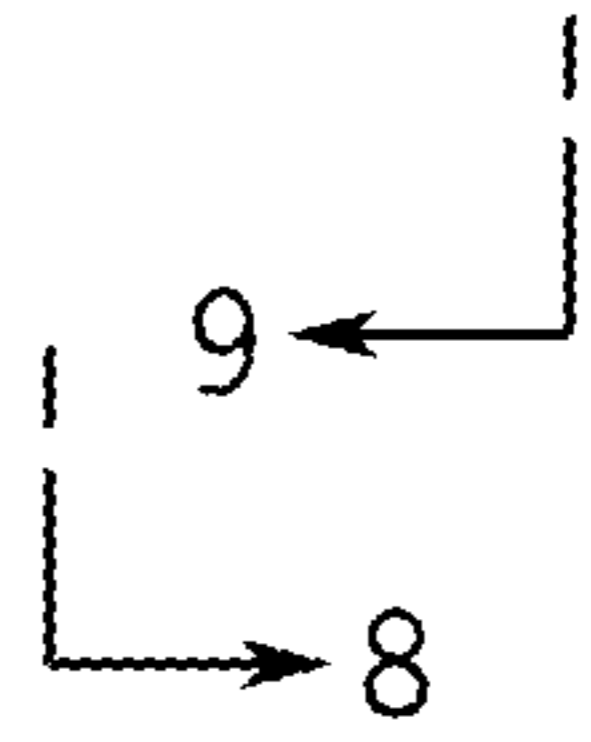


FIG. 2



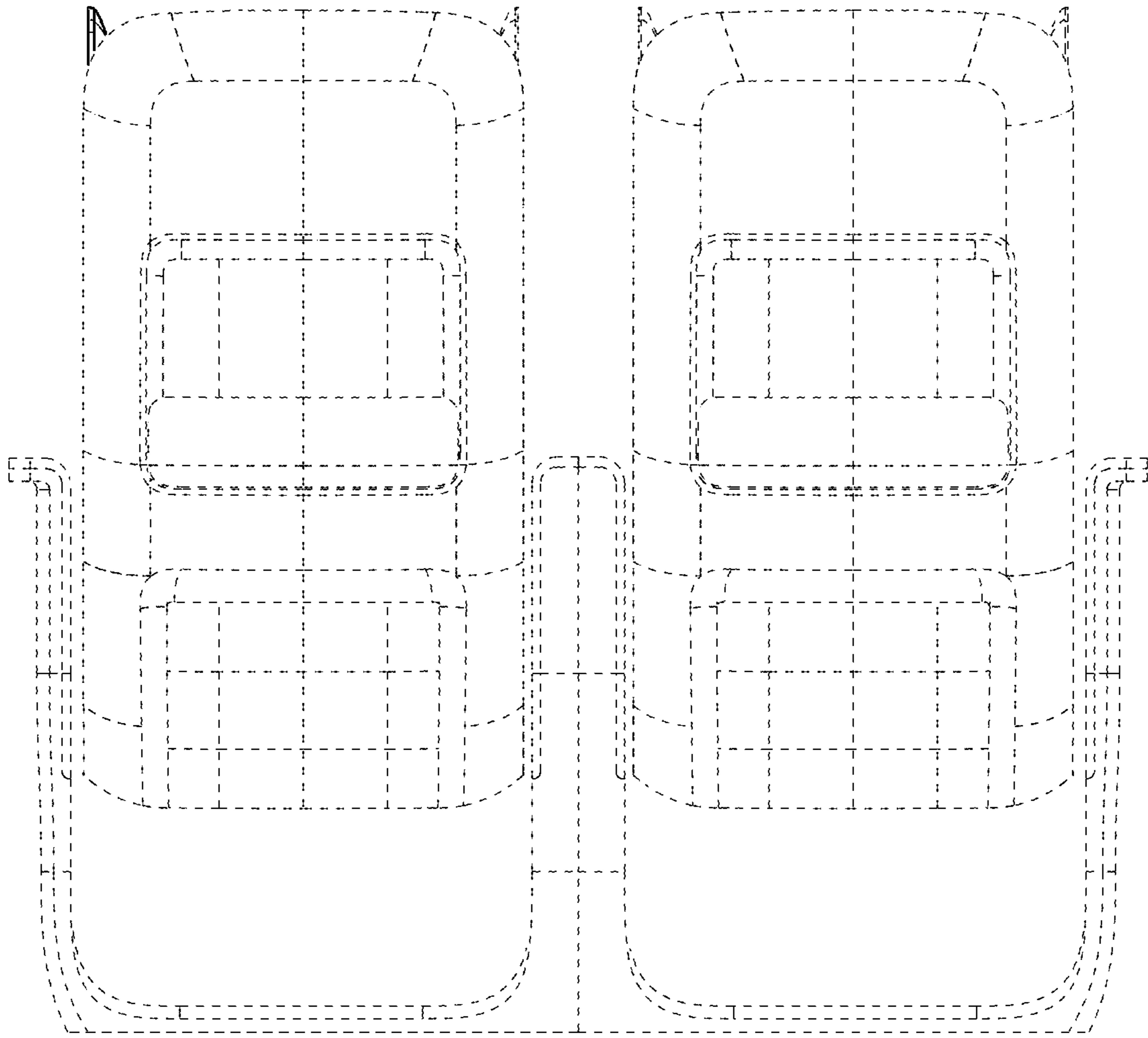


FIG. 3

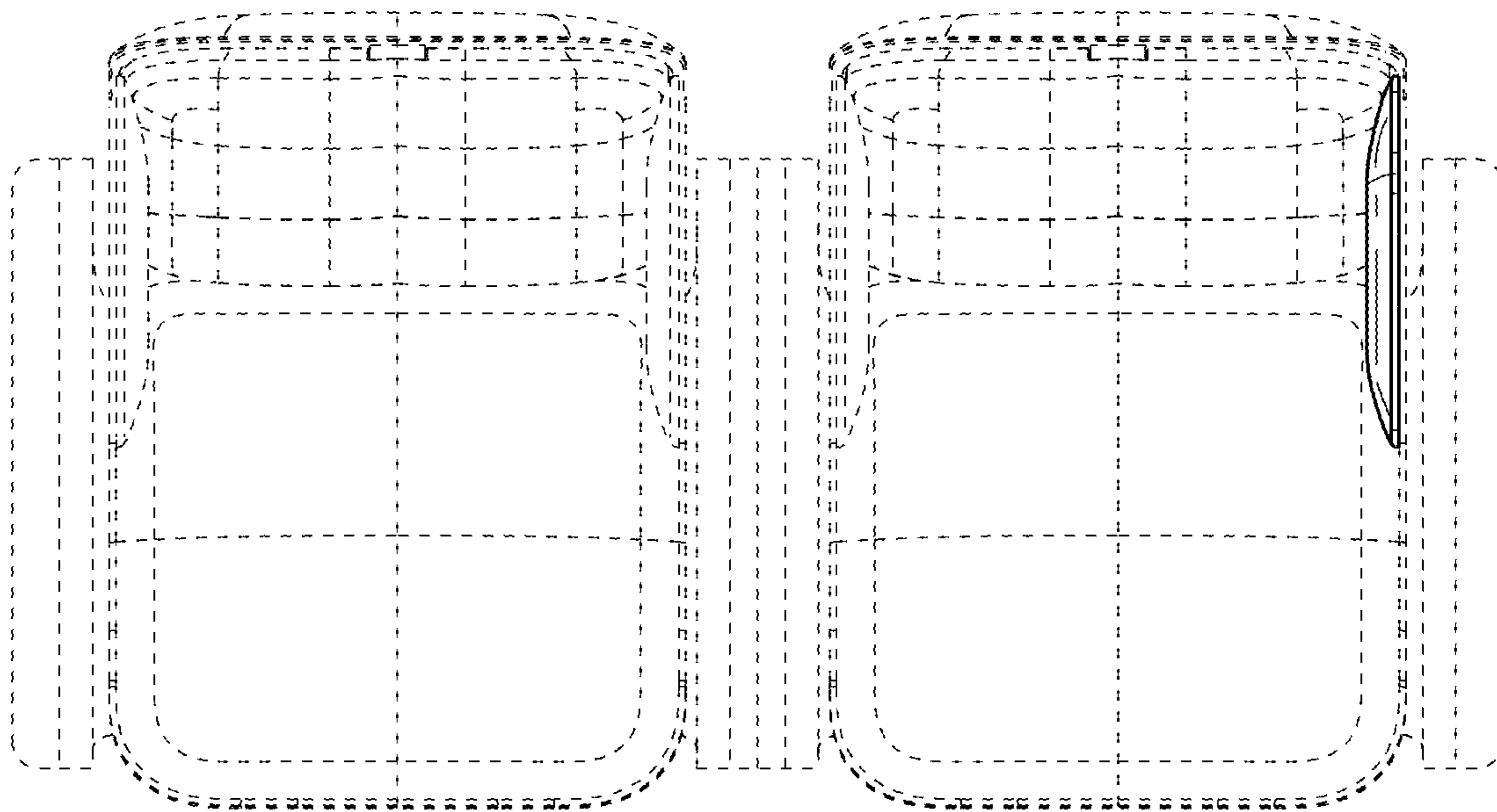


FIG. 4

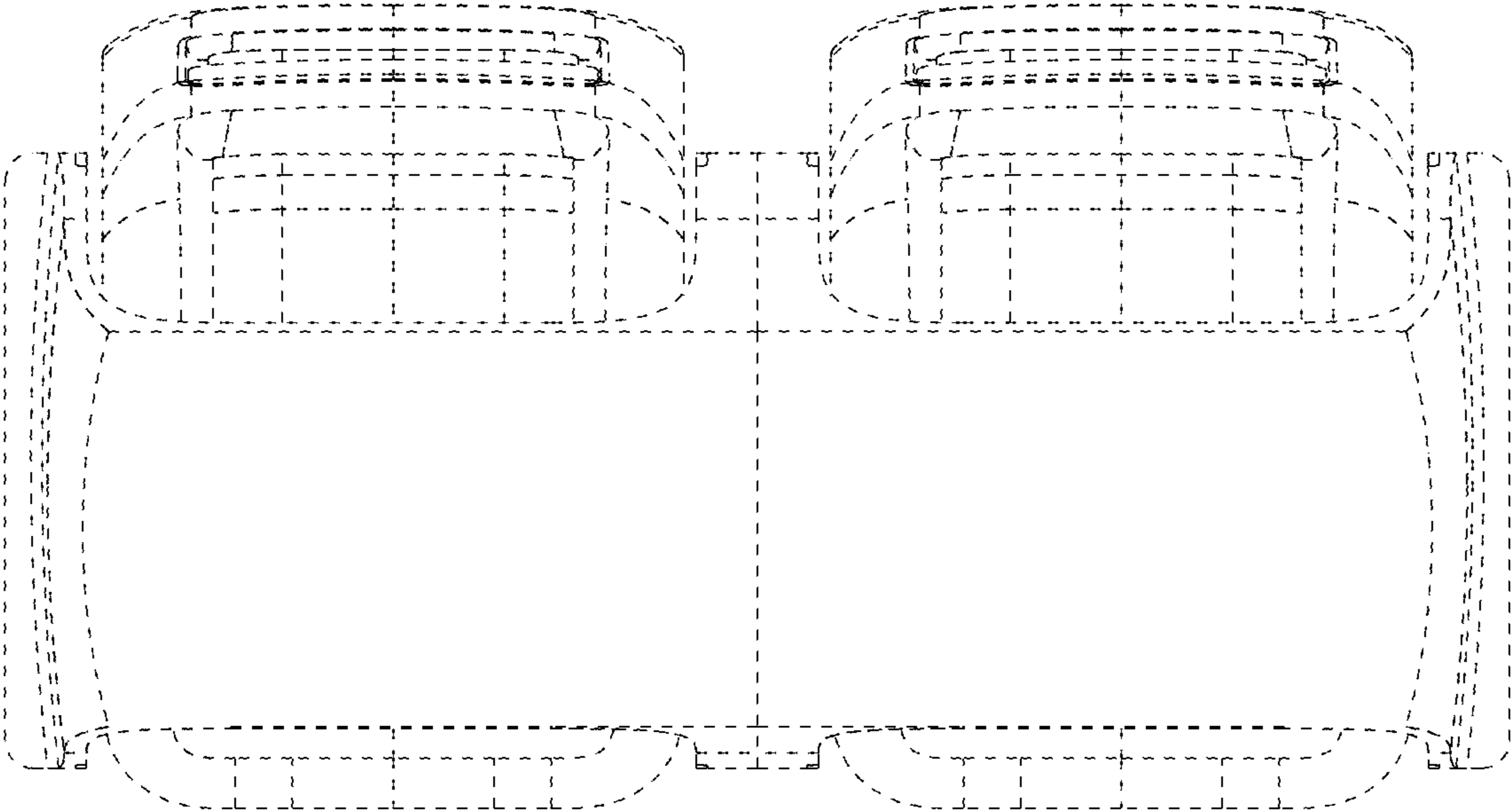


FIG. 5

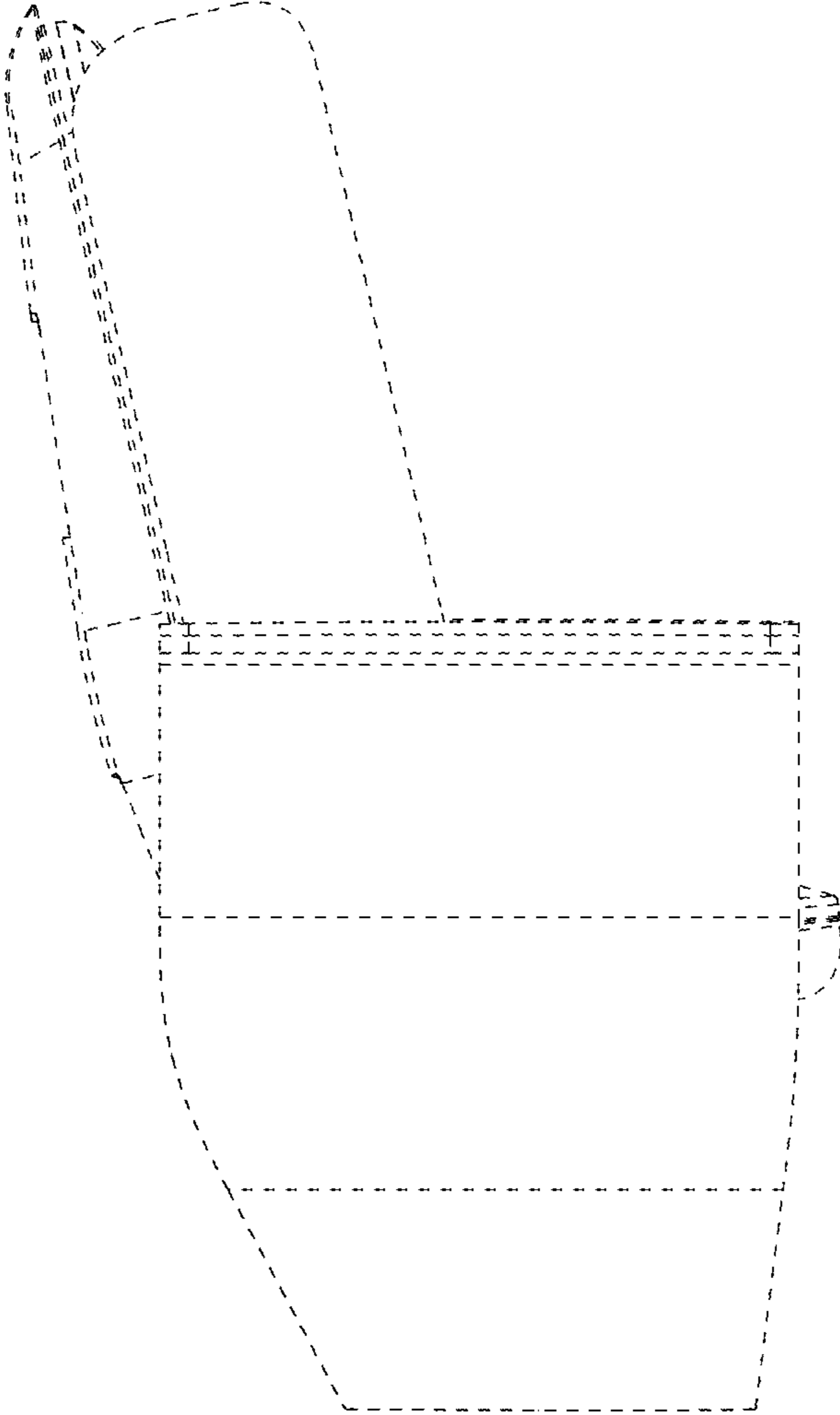


FIG. 6

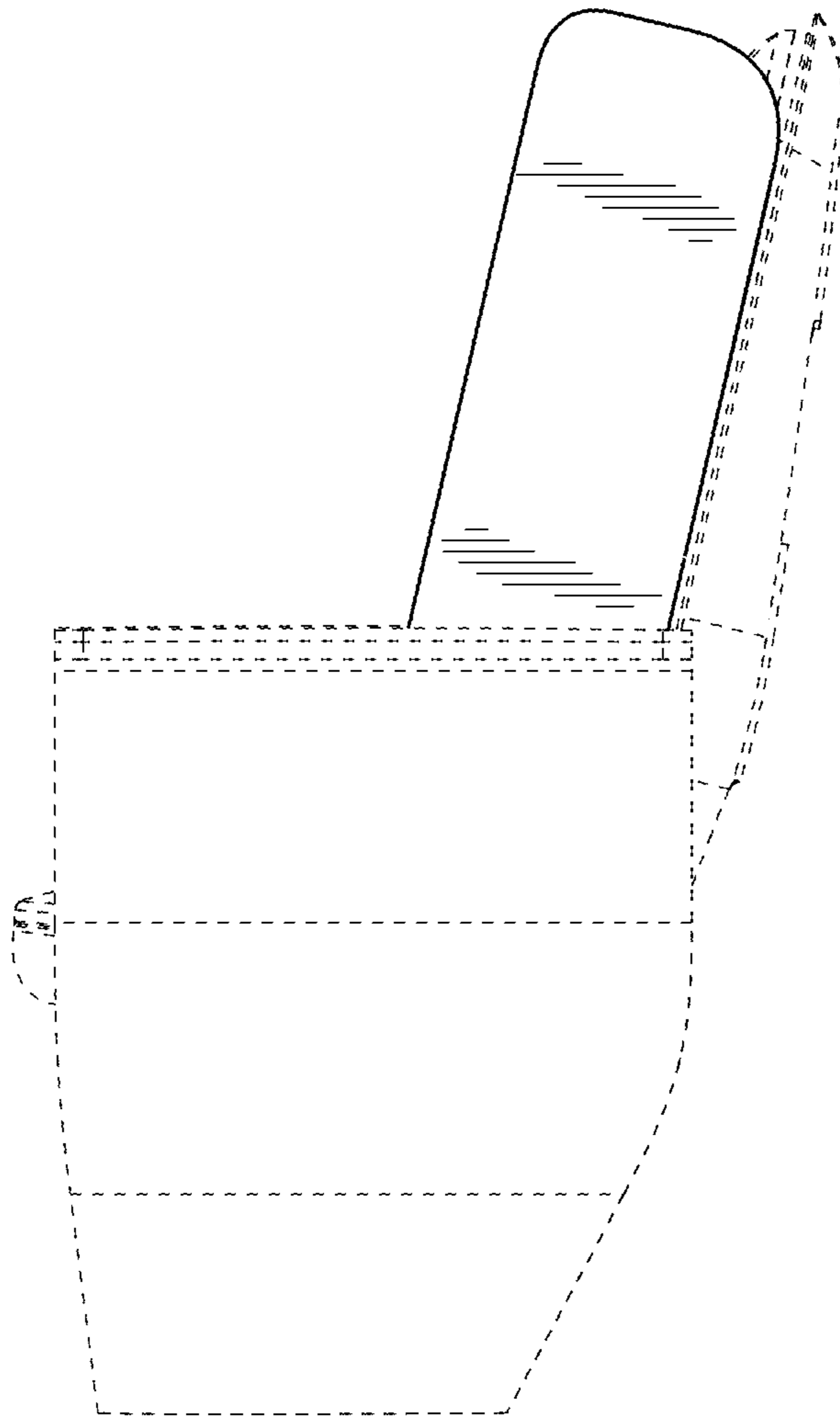


FIG. 7

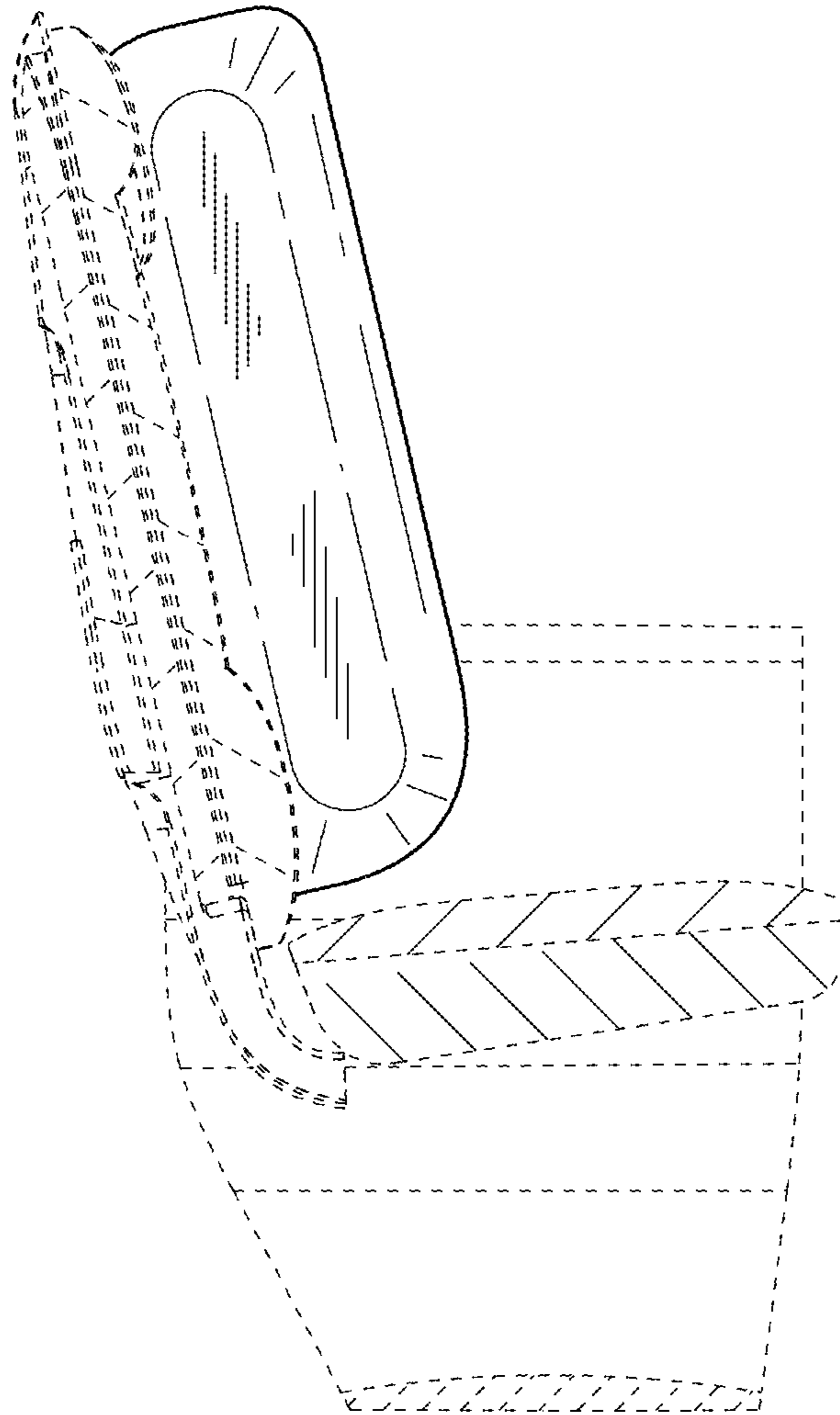


FIG. 8

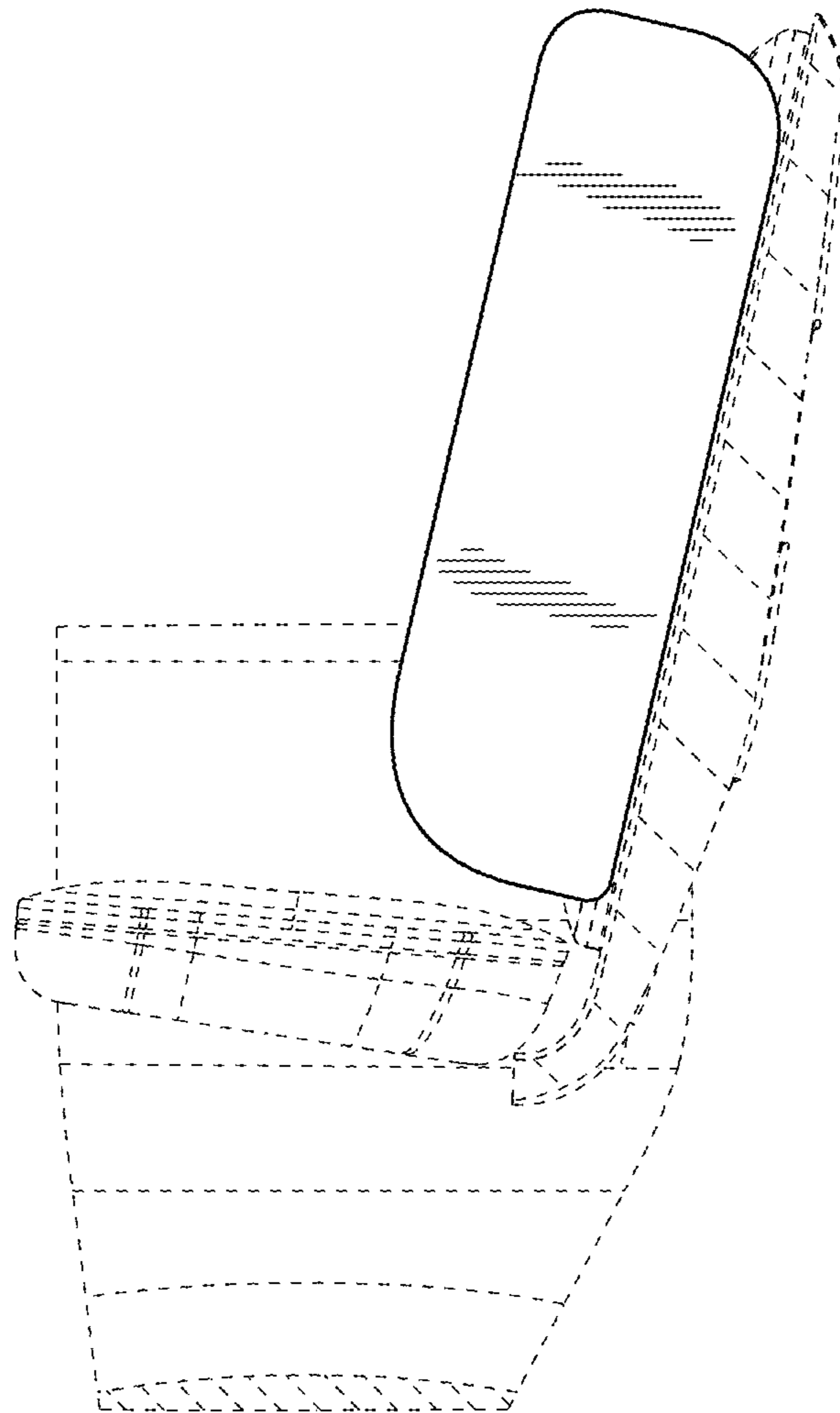


FIG. 9