



US00D942764S

(12) **United States Design Patent**
Chorobik

(10) **Patent No.:** **US D942,764 S**

(45) **Date of Patent:** **** Feb. 8, 2022**

- (54) **HANGER**
- (71) Applicant: **Michal Chorobik**, Toronto (CA)
- (72) Inventor: **Michal Chorobik**, Toronto (CA)
- (**) Term: **15 Years**
- (21) Appl. No.: **29/739,990**
- (22) Filed: **Jun. 30, 2020**
- (51) **LOC (13) Cl.** **06-08**
- (52) **U.S. Cl.**
USPC **D6/319**
- (58) **Field of Classification Search**
USPC D6/315-328
CPC A47G 25/26; A47G 25/28; A47G 25/30;
A47G 25/32; A47G 25/34; A47G 25/36;
A47G 25/38; A47G 25/442; A47G
25/625; A47G 25/743; A47G 25/1407;
A47G 25/1457; A47G 2025/1492; A47F
7/18; A47F 7/19; A47F 7/22
See application file for complete search history.

D504,577 S *	5/2005	Mann	D6/319
7,219,821 B2 *	5/2007	Weal	A47G 25/005 223/85
7,377,409 B1 *	5/2008	Brown	A47G 25/16 211/85.2
D587,021 S *	2/2009	Williams	D6/319
D650,176 S *	12/2011	Gadsby	D6/315
D702,049 S *	4/2014	Lazri	D6/319
8,720,842 B2 *	5/2014	Huang	A47F 5/0006 248/339
D792,113 S *	7/2017	Tsujimoto	D6/319
D815,852 S *	4/2018	Carr	D6/513

* cited by examiner

Primary Examiner — Lauren R Calve

(74) *Attorney, Agent, or Firm* — Nasser Ashgriz; UIPatent Inc.

(57) **CLAIM**

The ornamental design for a hanger, as shown and described.

DESCRIPTION

FIG. 1 is a perspective view of a hanger showing my new design.

FIG. 2 is a front view of the hanger of FIG. 1.

FIG. 3 is a top view of the hanger of FIG. 1.

FIG. 4 is a bottom view of the hanger of FIG. 1.

FIG. 5 is a side elevational view of the hanger of FIG. 1; and,

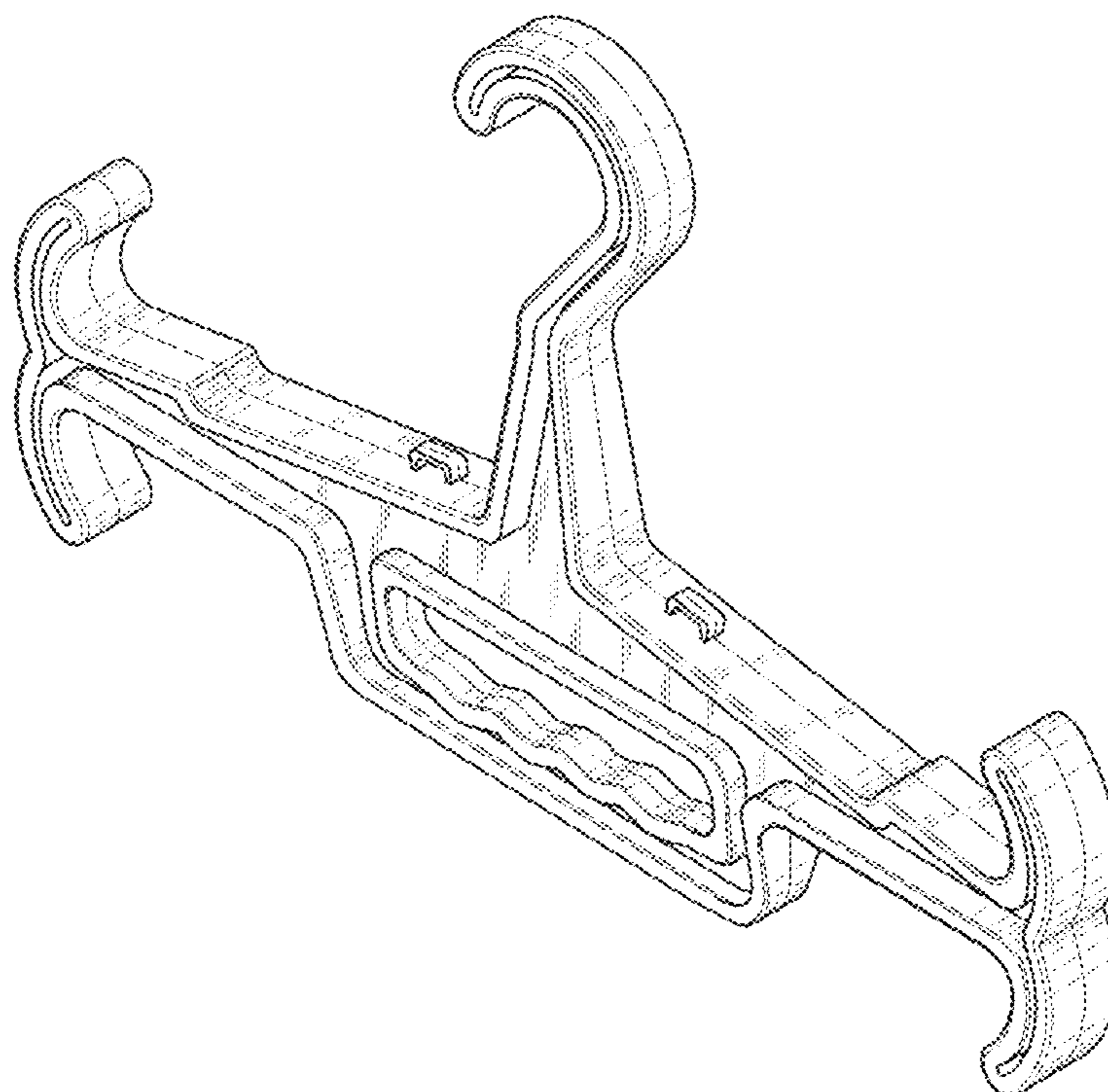
FIG. 6 is a cross-sectional view taken at section 6-6 in FIG. 2.

1 Claim, 6 Drawing Sheets

(56) **References Cited**

U.S. PATENT DOCUMENTS

D206,200 S *	11/1966	Ogg	D6/319
D281,036 S *	10/1985	Martin, Jr.	D6/315
4,557,516 A *	12/1985	Usner	A47G 25/1457 223/88
D324,781 S *	3/1992	Uke	D6/315
5,163,590 A *	11/1992	Lawler	A47G 25/16 223/69
6,758,378 B2 *	7/2004	Carmichael	A47G 25/16 223/85



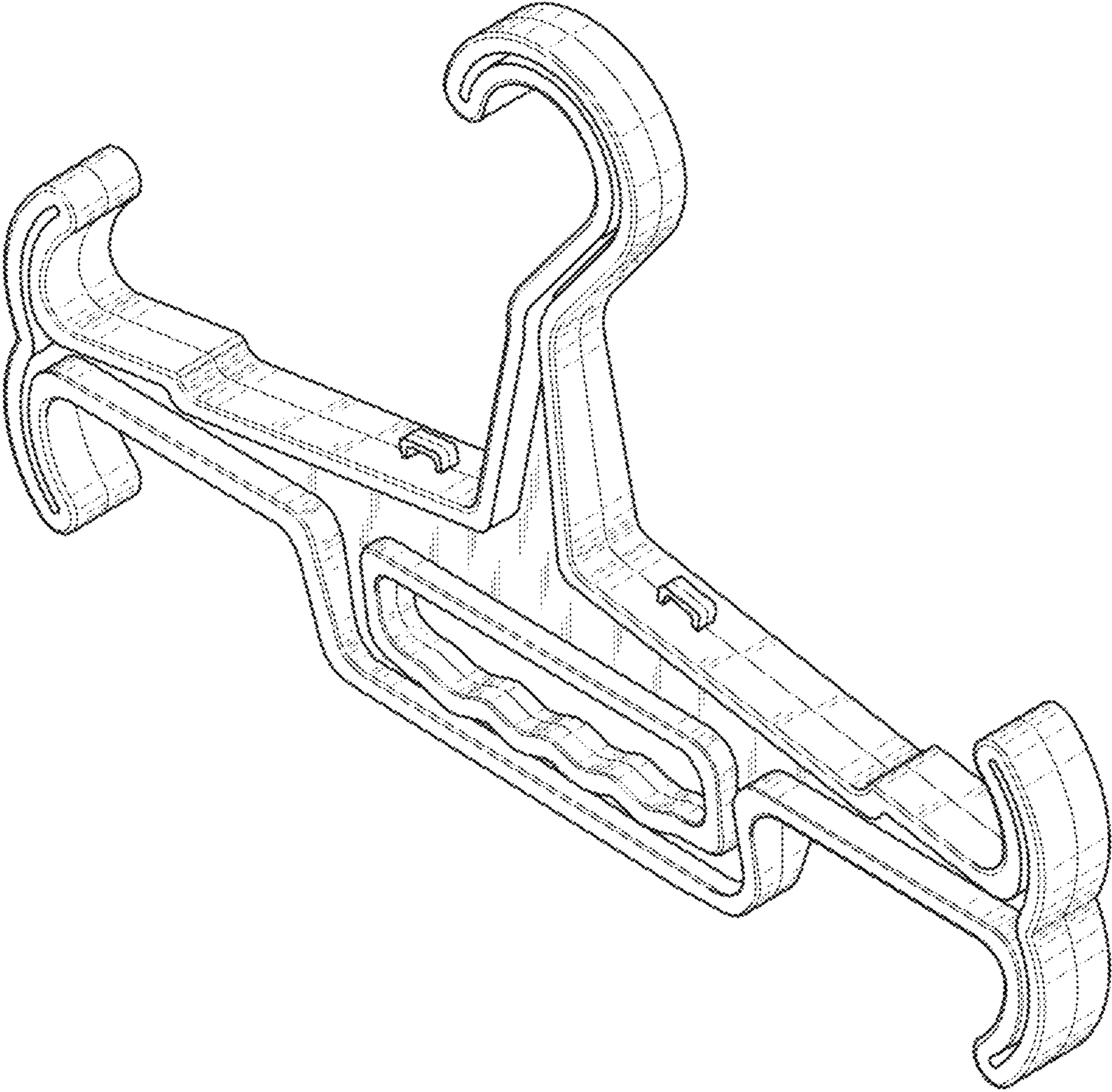


Fig. 1

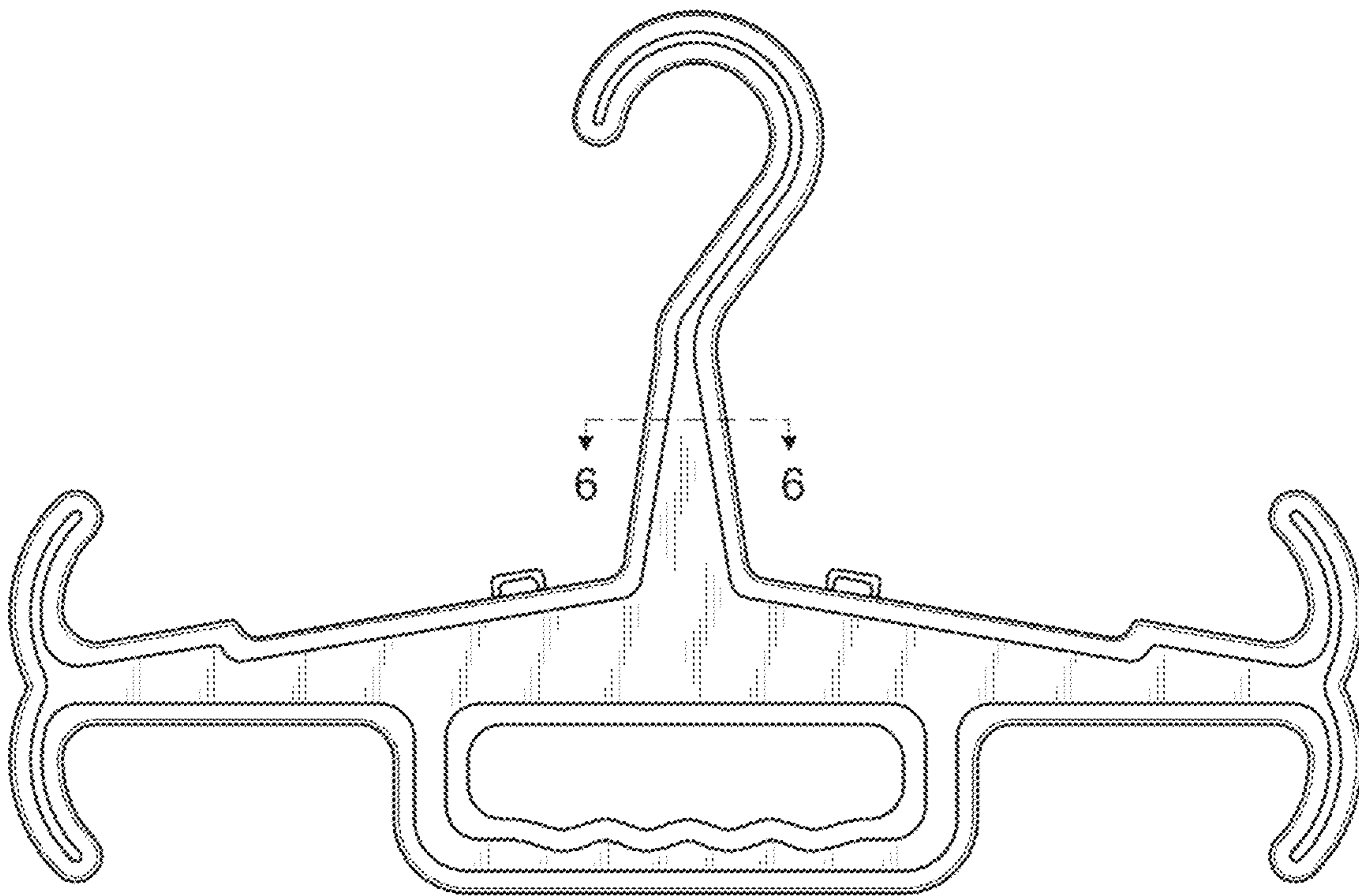


Fig. 2



Fig. 3

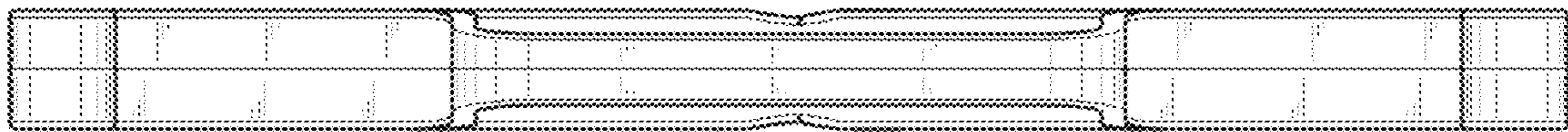


Fig. 4

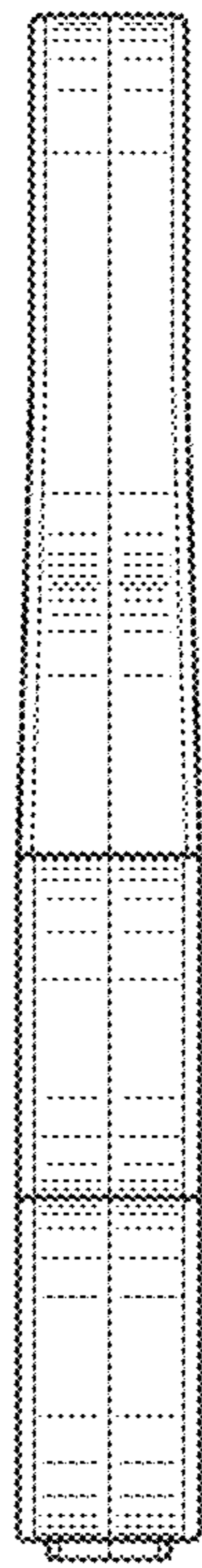


Fig. 5

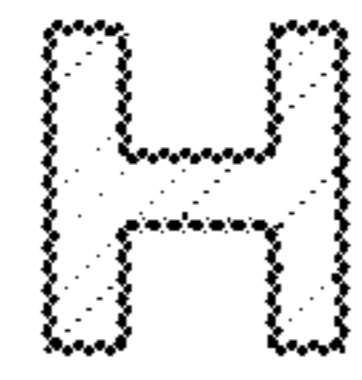


Fig. 6