



US00D942763S

(12) **United States Design Patent**
Okeke

(10) **Patent No.:** **US D942,763 S**

(45) **Date of Patent:** **** Feb. 8, 2022**

(54) **COMBINED FRAME, CLOCK AND MIRROR**

(71) Applicant: **Celestine Nnamdi Okeke, Almere (NL)**

(72) Inventor: **Celestine Nnamdi Okeke, Almere (NL)**

(**) Term: **15 Years**

(21) Appl. No.: **35/508,513**

(22) Filed: **Jun. 16, 2019**

(80) **Hague Agreement Data**

Int. Filing Date: **Jun. 16, 2019**

Int. Reg. No.: **DM/205553**

Int. Reg. Date: **Jun. 16, 2019**

Int. Reg. Pub. Date: **Feb. 7, 2020**

(51) **LOC (13) Cl.** **06-07**

(52) **U.S. Cl.**

USPC **D6/310**

(58) **Field of Classification Search**

USPC **D6/300-314; D10/2, 31**

CPC ... **A47G 1/00; A47G 1/04; A47G 1/06; A47G 1/0616; A47G 1/0627**

See application file for complete search history.

(56) **References Cited**

U.S. PATENT DOCUMENTS

D61,673 S * 11/1922 Aichberge D6/303

D131,208 S * 1/1942 Kauffman D10/2

D137,029 S *	1/1944	Rodkey	D6/307
D144,436 S *	4/1946	Ylitalo	D6/303
D181,502 S *	11/1957	Steg	D6/306
D186,380 S *	10/1959	Miller	D6/303
D242,027 S *	10/1976	Terada	D10/15
D259,862 S *	7/1981	You	D10/2
D343,065 S *	1/1994	Barbieri	D6/310
D386,008 S *	11/1997	Wong	D6/300
D522,761 S *	6/2006	Bruce	D6/300

* cited by examiner

Primary Examiner — Mary Ann Calabrese

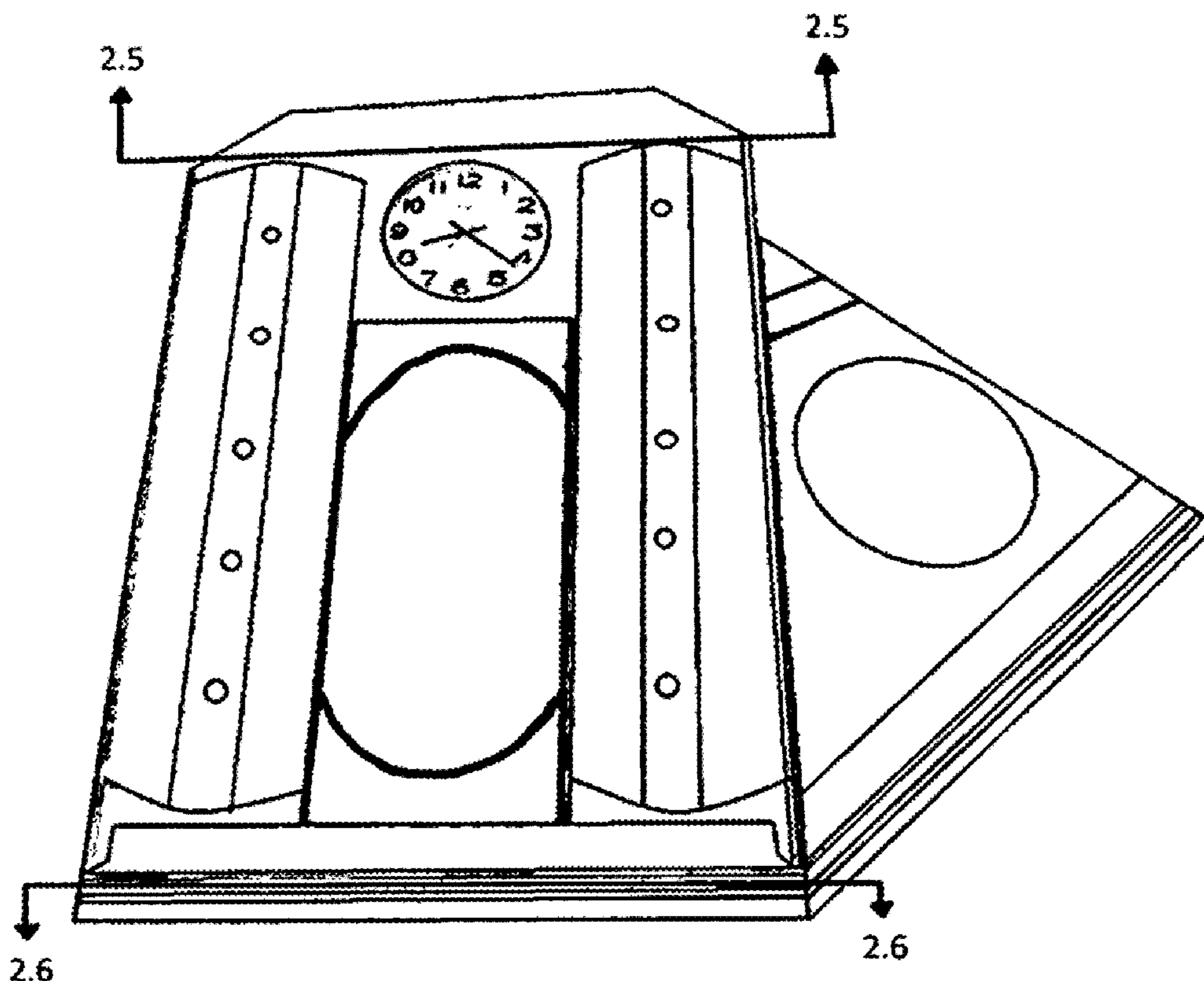
(57) **CLAIM**

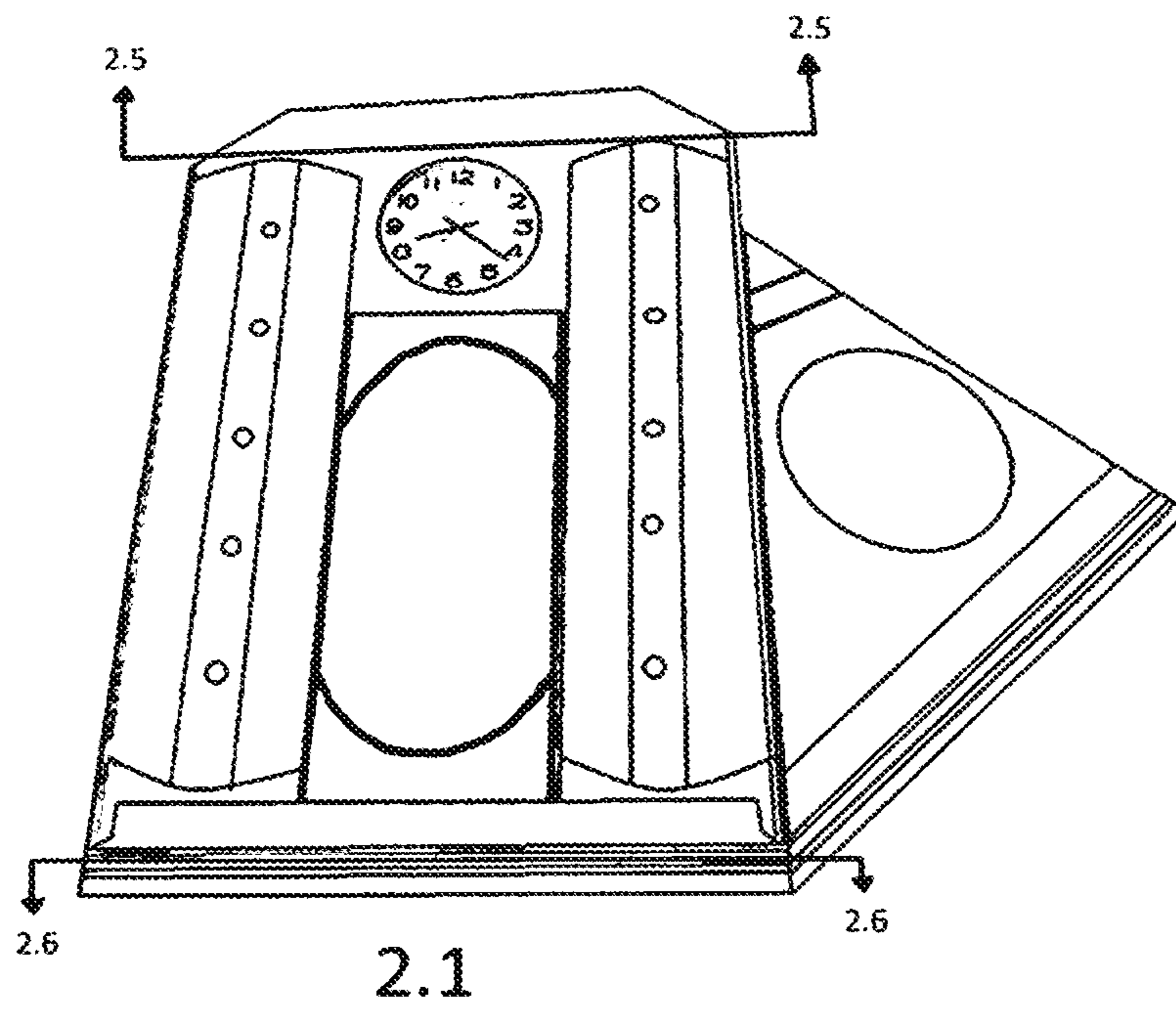
I claim the ornamental design for a combined frame, clock and mirror, as shown and described.

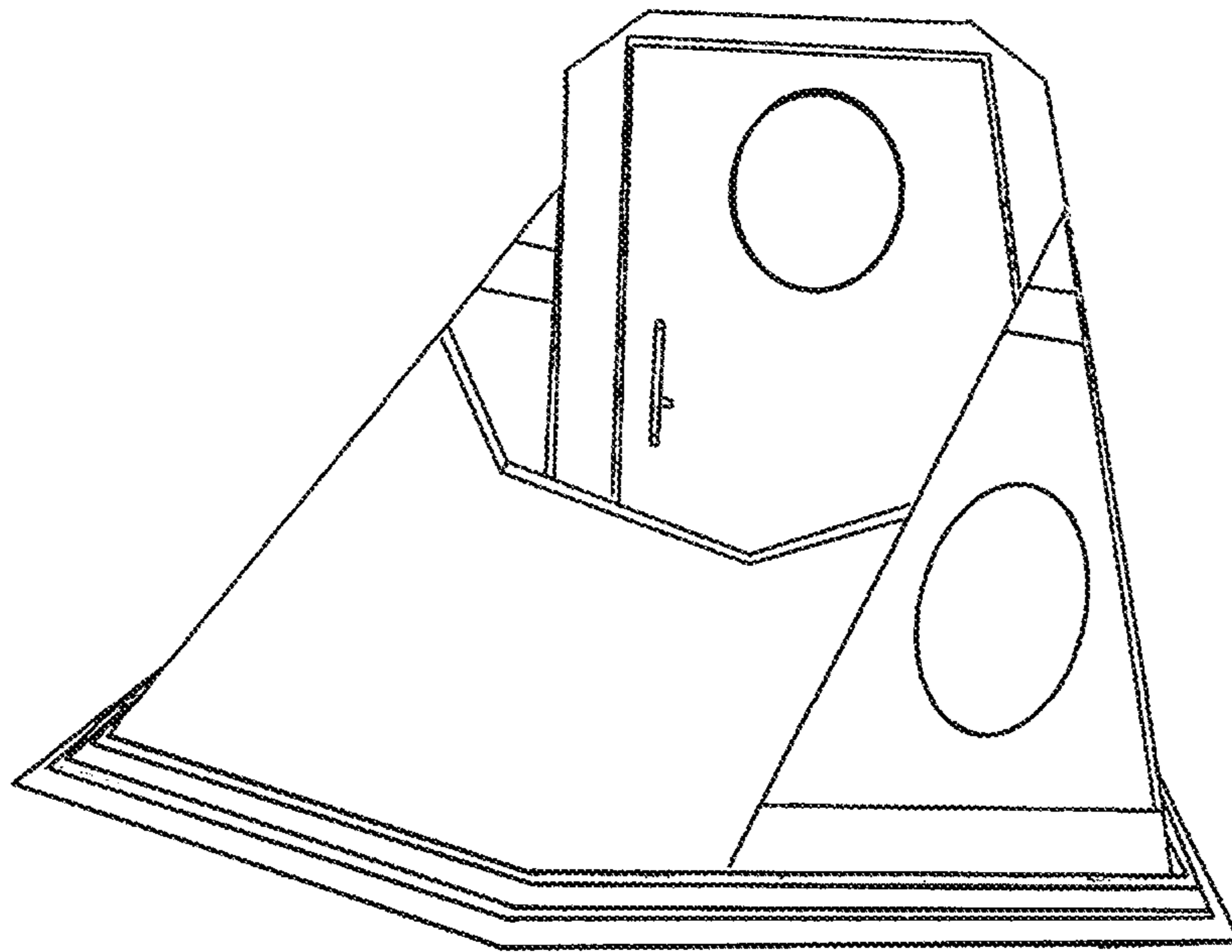
DESCRIPTION

- 2. Combined frame, clock and mirror
- 2.1 is a front perspective view.
- 2.2 is a rear perspective view.
- 2.3 is a right side view.
- 2.4 is a left side view.
- 2.5 is a cross sectional view take alarm line 2.5 in view 2.1.
- 2.6 is a cross sectional view taken alarm line 2.6 in view 2.1.

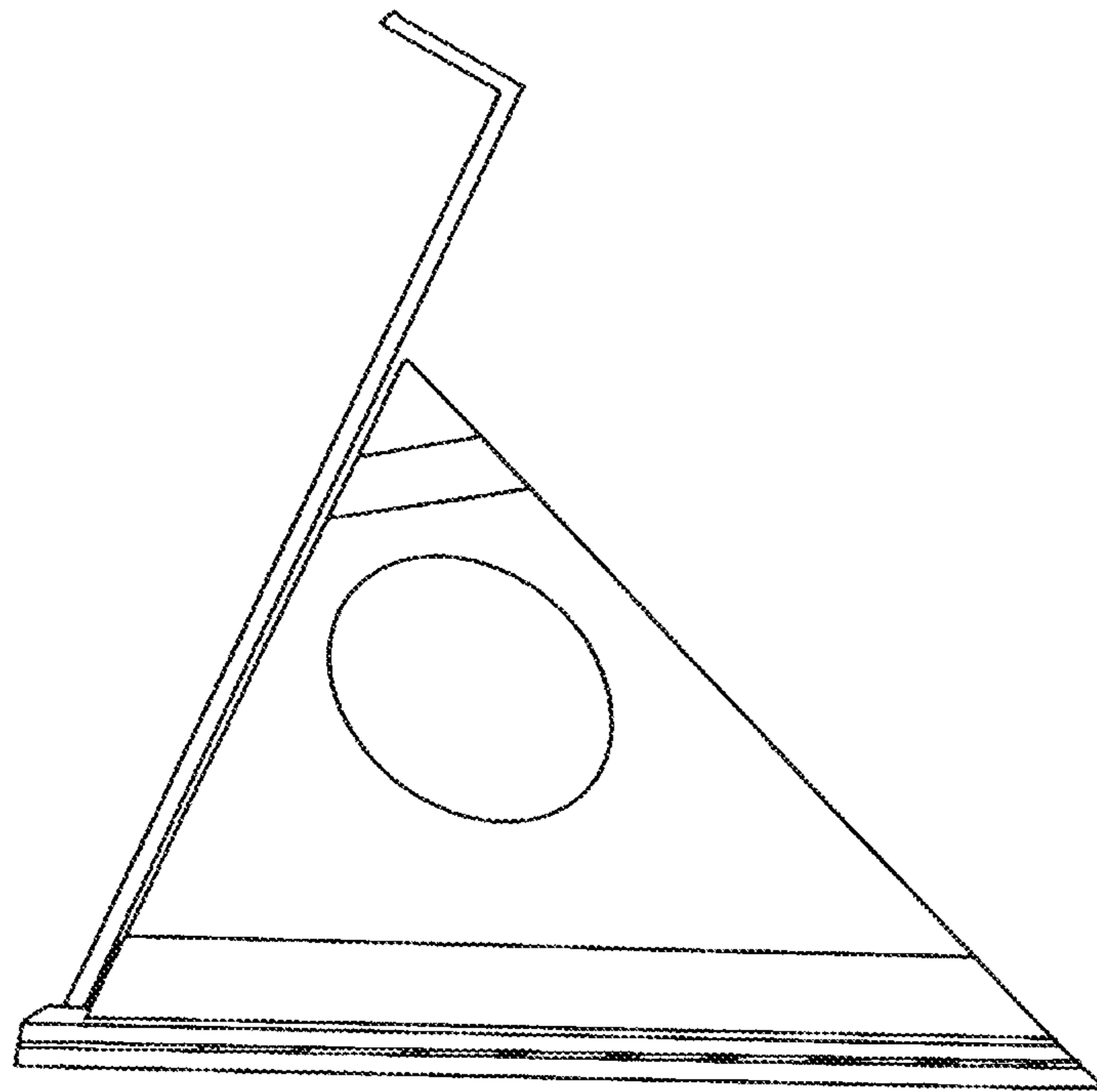
1 Claim, 6 Drawing Sheets



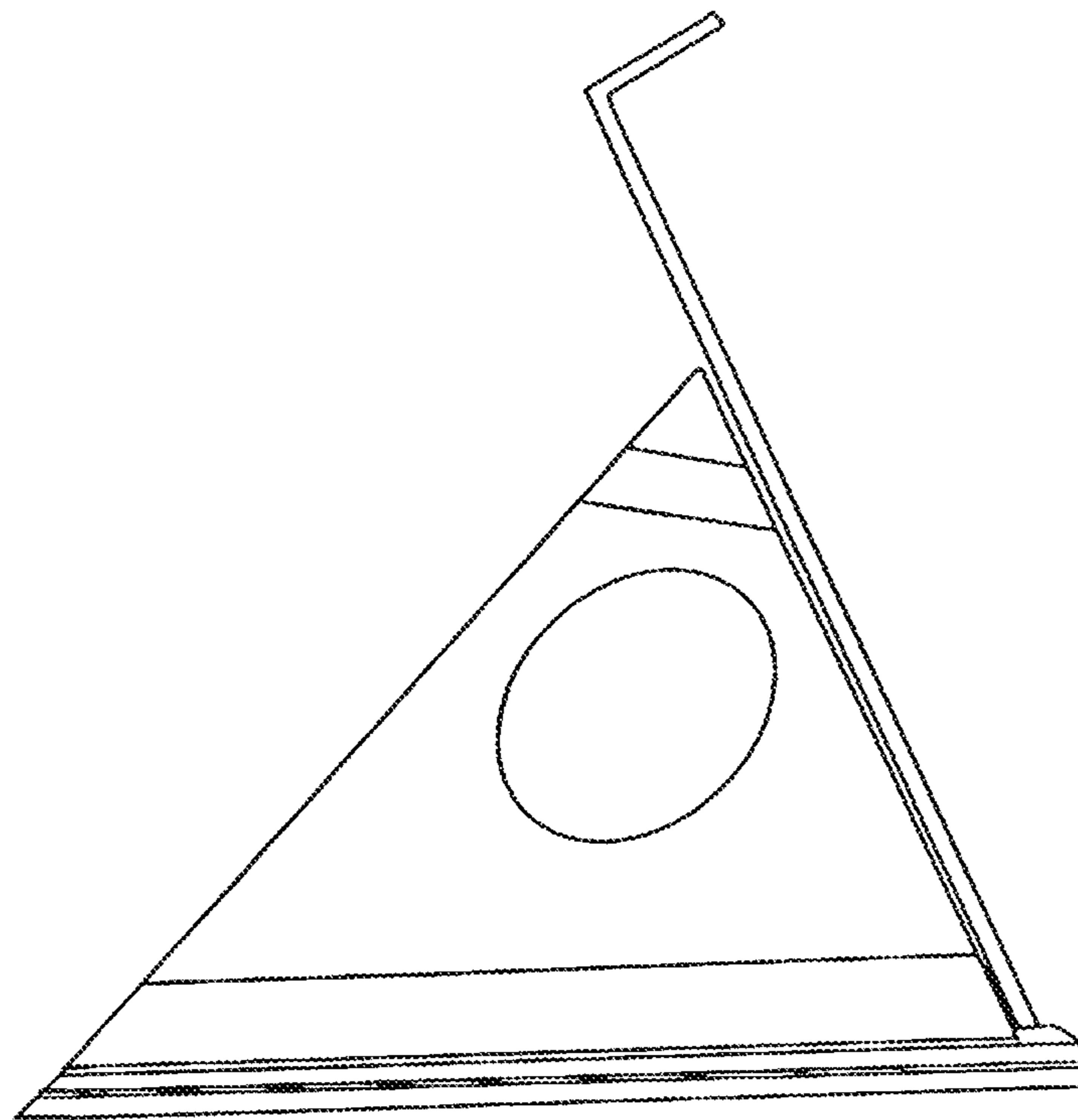




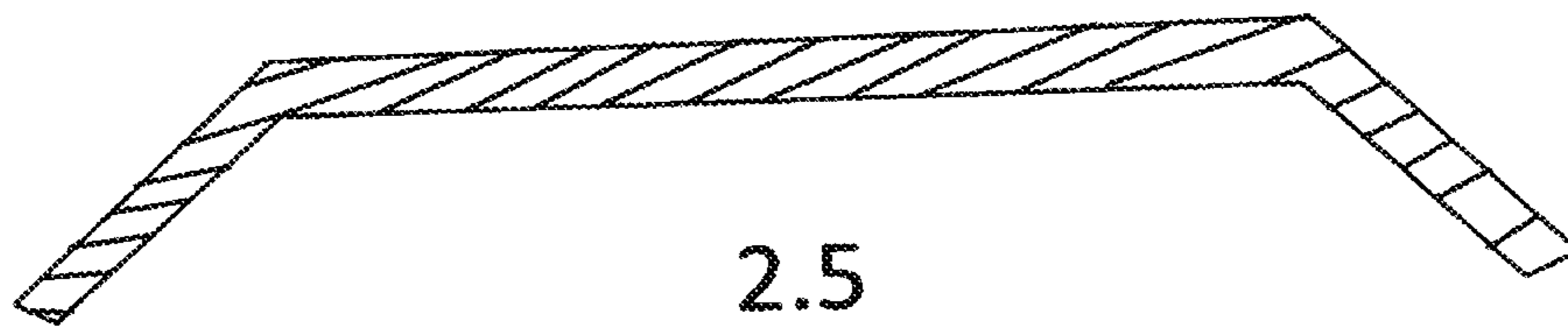
2.2

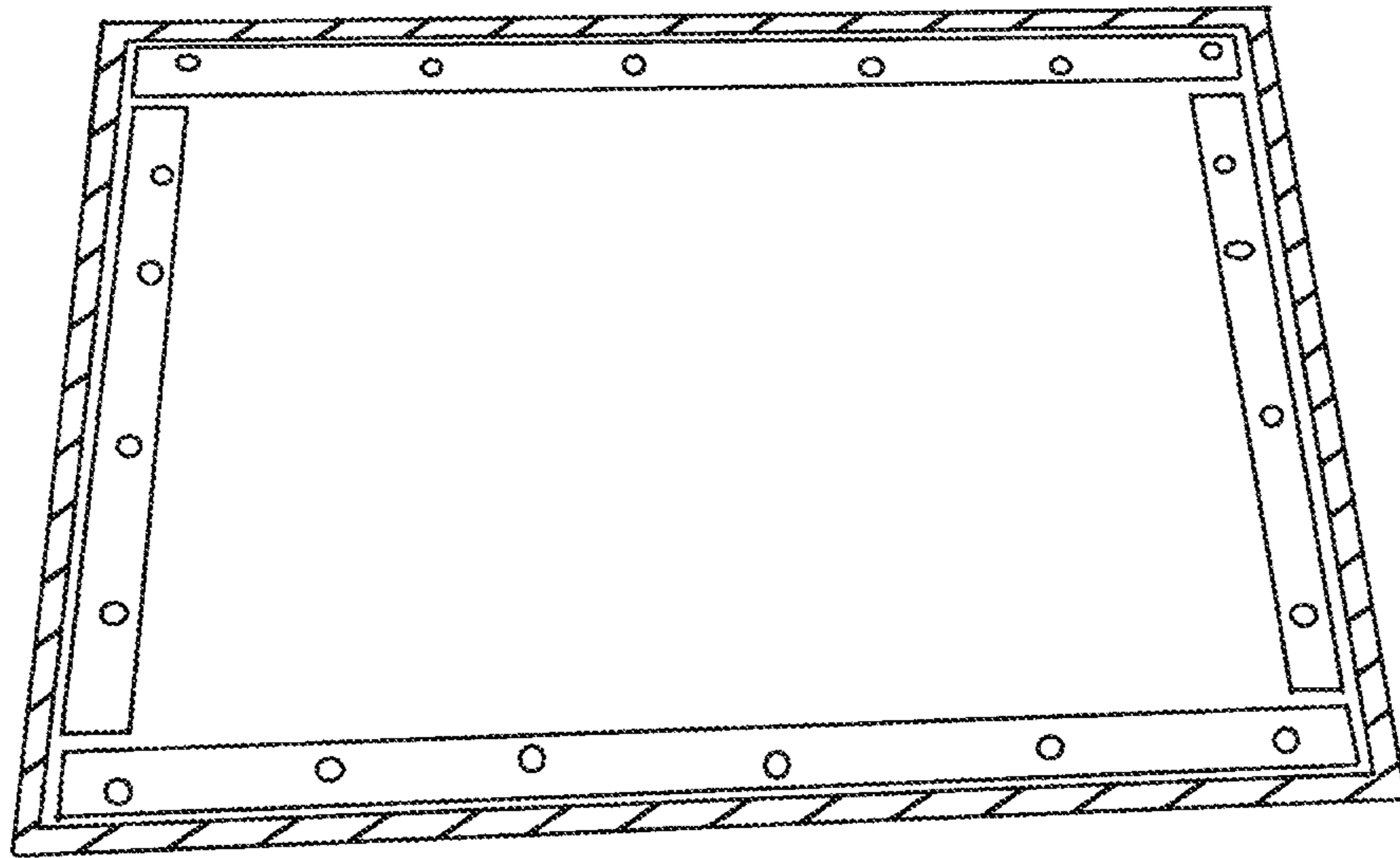


2.3



2.4





2.6