



US00D942762S

(12) **United States Design Patent**
Zhu

(10) **Patent No.:** **US D942,762 S**
(45) **Date of Patent:** **** Feb. 8, 2022**

(54) **MAKEUP MIRROR**

(71) Applicant: **Zhehao Zhu**, Guangdong (CN)

(72) Inventor: **Zhehao Zhu**, Guangdong (CN)

(**) Term: **15 Years**

(21) Appl. No.: **29/750,500**

(22) Filed: **Sep. 14, 2020**

(51) **LOC (13) Cl.** **06-07**

(52) **U.S. Cl.**
USPC **D6/310**

(58) **Field of Classification Search**

USPC D6/300-314

CPC .. A47G 1/00; A47G 2001/002; F21V 33/004;
A45D 42/10

See application file for complete search history.

(56) **References Cited**

U.S. PATENT DOCUMENTS

D589,267 S	*	3/2009	Pitot	D6/308
D802,944 S	*	11/2017	Palfreeman	D6/308
D833,762 S	*	11/2018	Liu	D6/310
D859,011 S	*	9/2019	Liu	D6/310
D865,374 S		11/2019	Yang		
D895,986 S	*	9/2020	Yang	D6/312
D897,697 S		10/2020	Liu		
D907,375 S		1/2021	Liang		

FOREIGN PATENT DOCUMENTS

CN 305694378 * 4/2020

* cited by examiner

Primary Examiner — Deanna L Pratt

(74) *Attorney, Agent, or Firm* — Andrew C. Cheng

(57) **CLAIM**

The ornamental design for a “makeup mirror”, as shown and described.

DESCRIPTION

FIG. 1 is a first perspective view of a makeup mirror showing my new design;

FIG. 2 is a second perspective view thereof;

FIG. 3 is a front elevational view thereof;

FIG. 4 is a rear elevational view thereof;

FIG. 5 is a left elevational view thereof;

FIG. 6 is a right elevational view thereof;

FIG. 7 is a top plan view thereof;

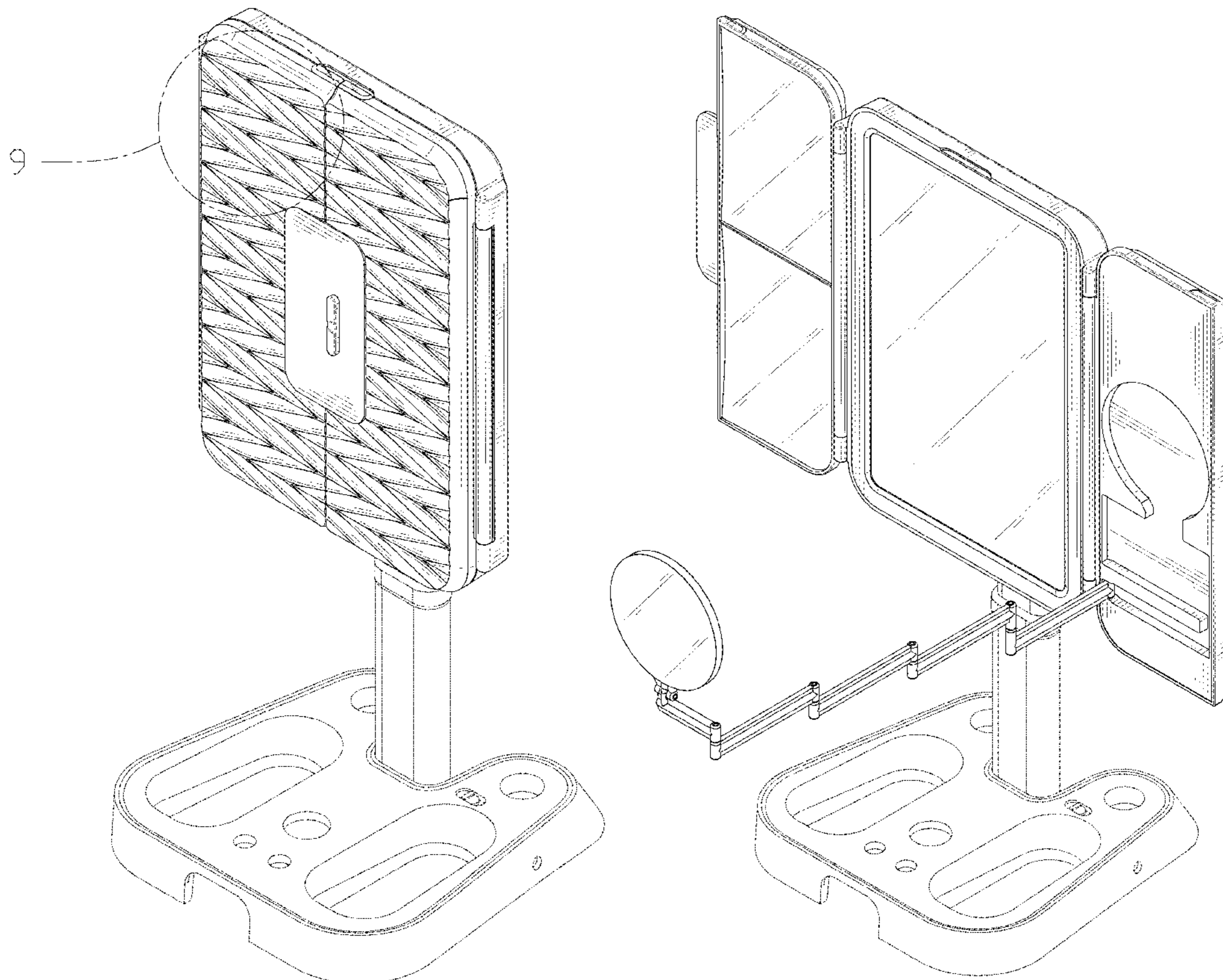
FIG. 8 is a bottom plan view thereof;

FIG. 9 is an enlarged view of a circle portion labelled by a numeral 9 of FIG. 1; and,

FIG. 10 is a perspective view thereof shown in a state of use.

The broken lines in the drawings illustrate portions of the makeup mirror which form no part of the claimed design.

1 Claim, 10 Drawing Sheets



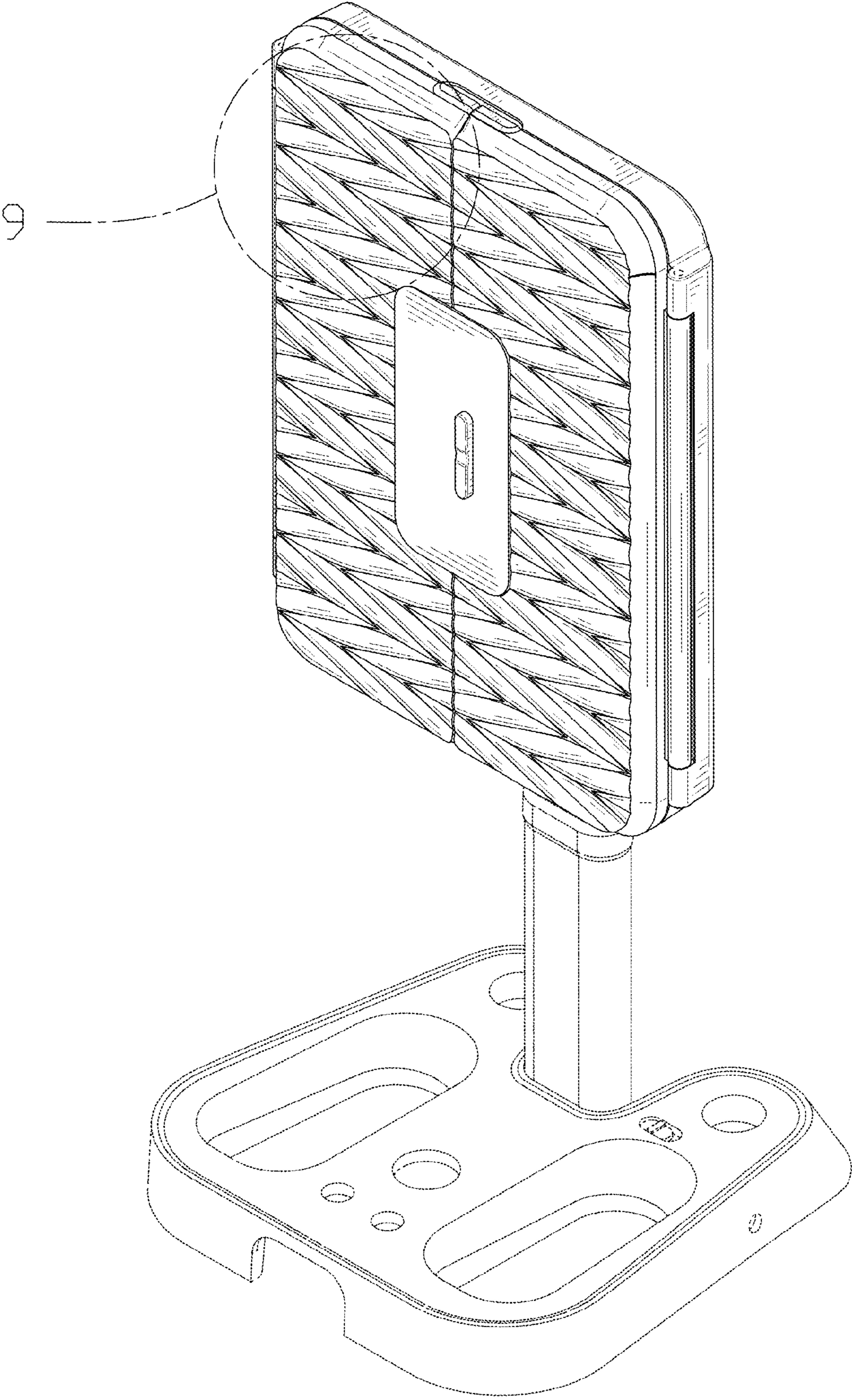


FIG. 1

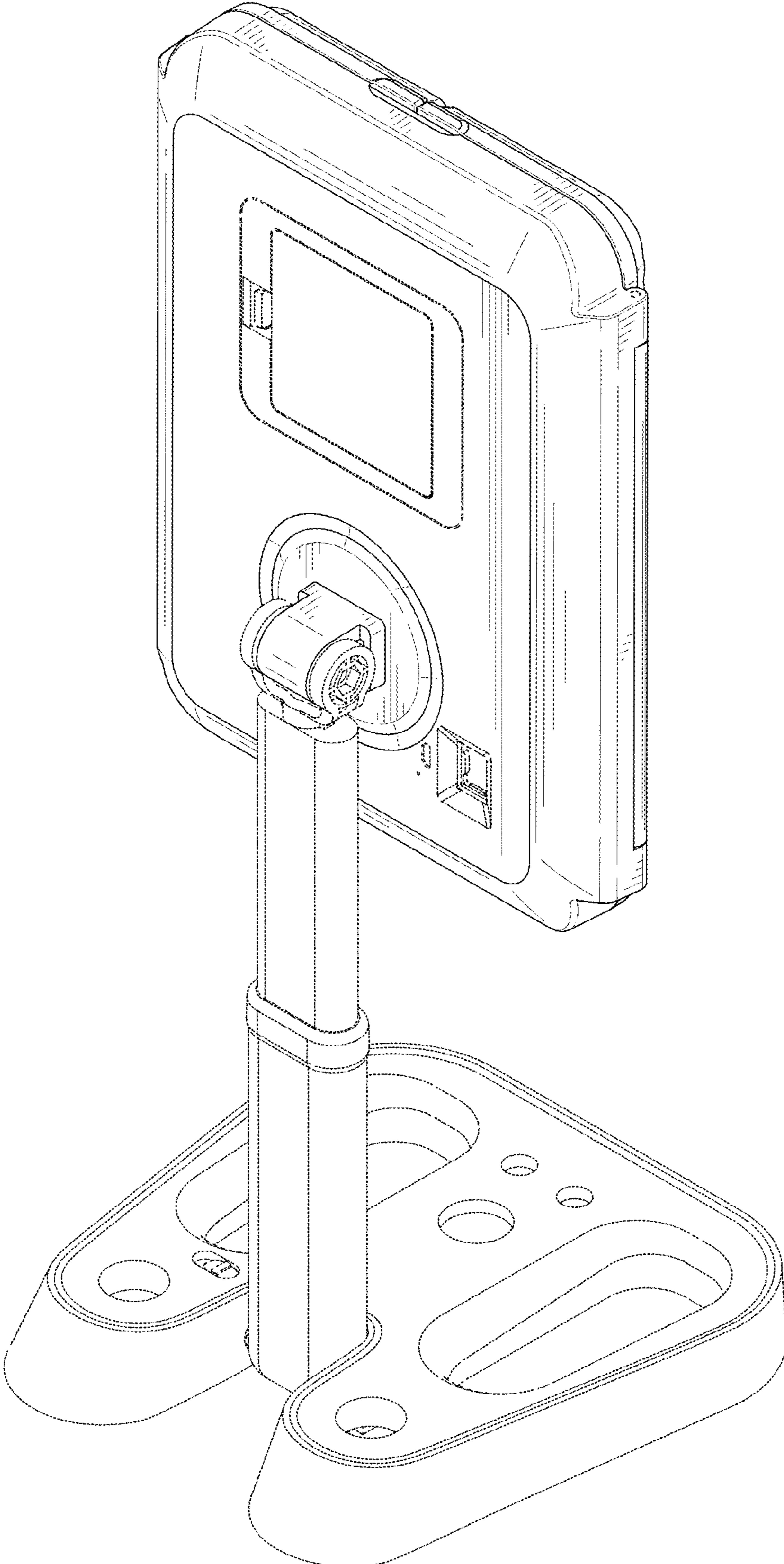


FIG. 2

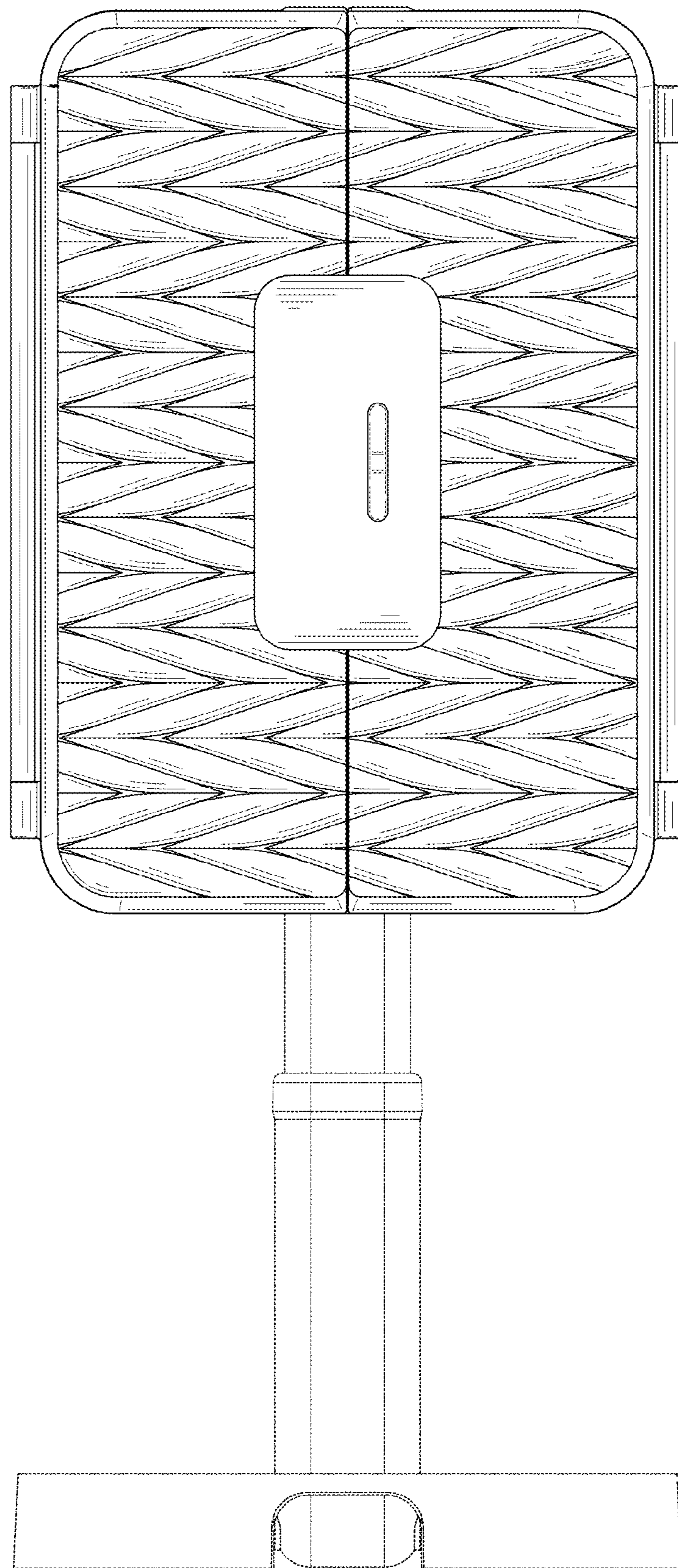


FIG. 3

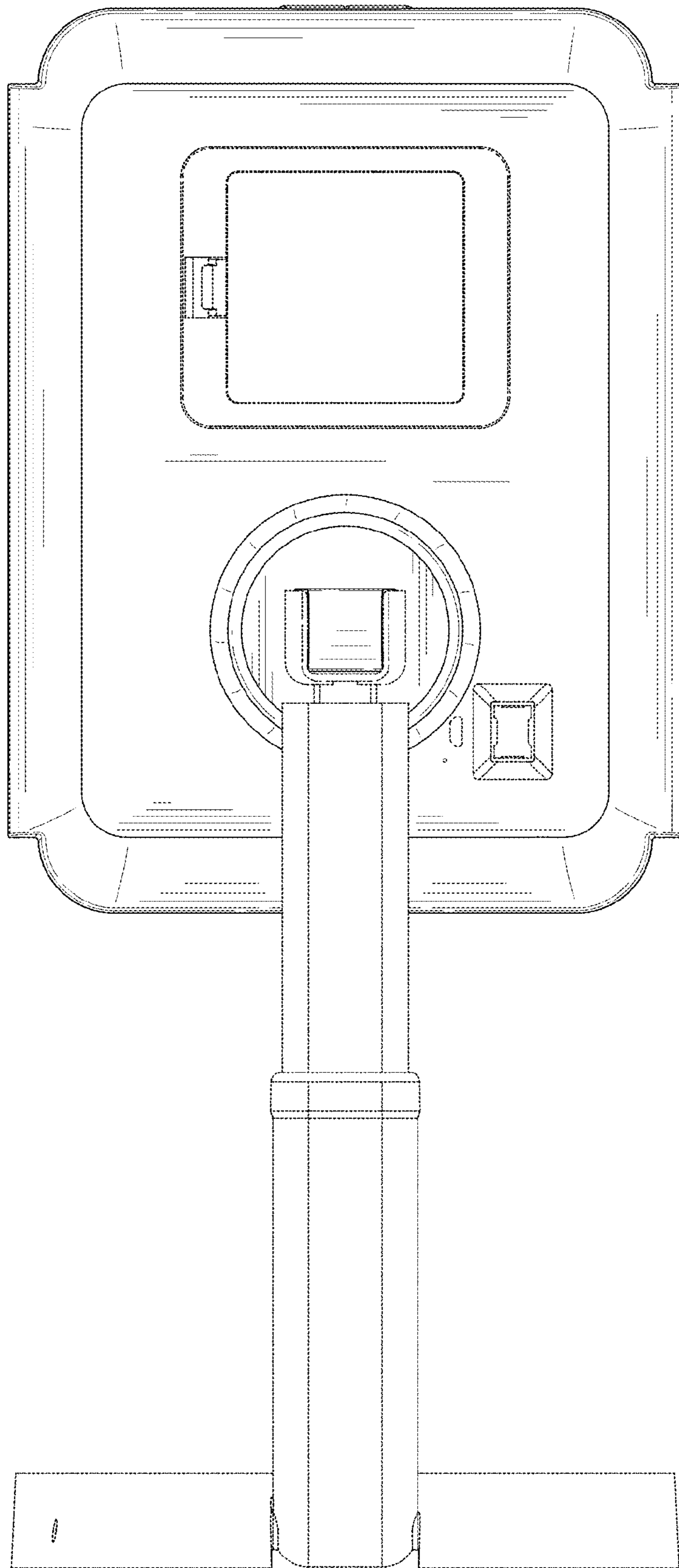


FIG. 4

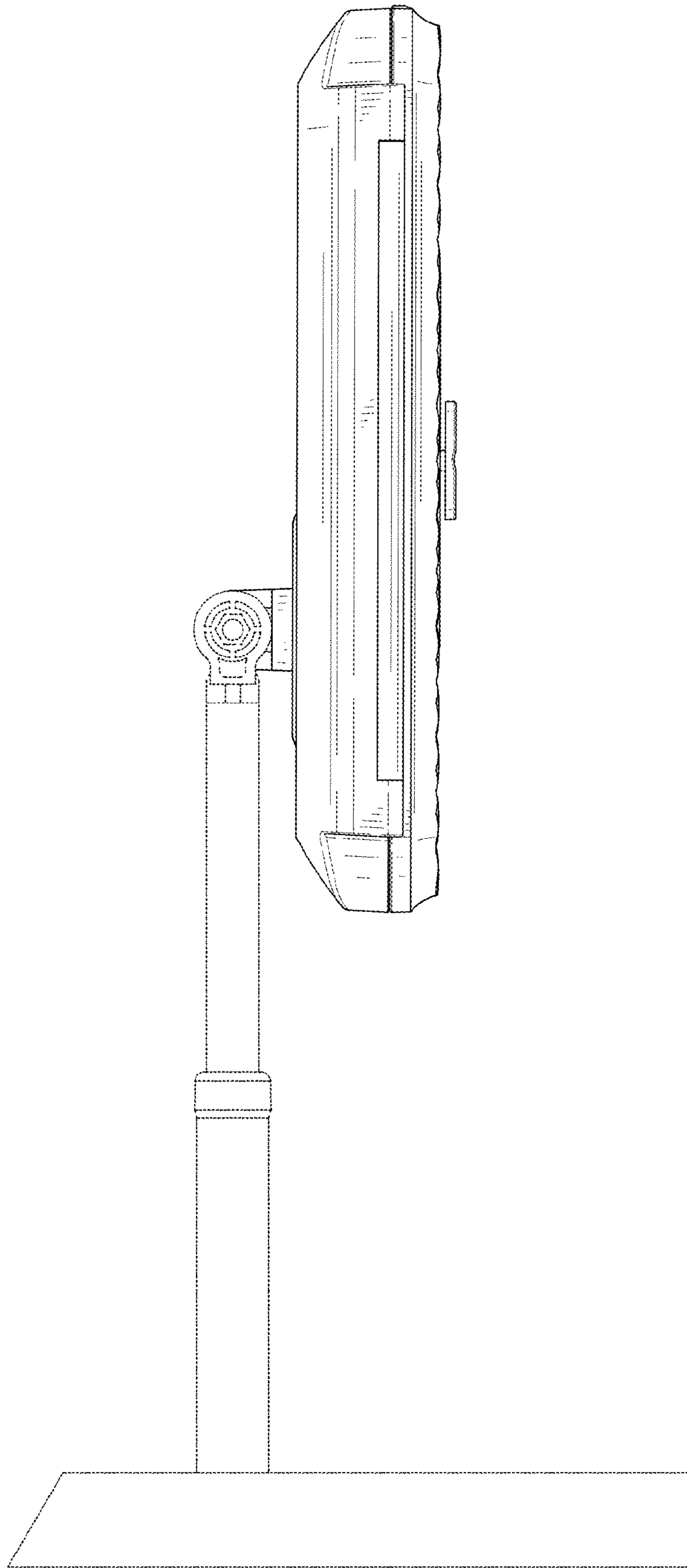


FIG. 5

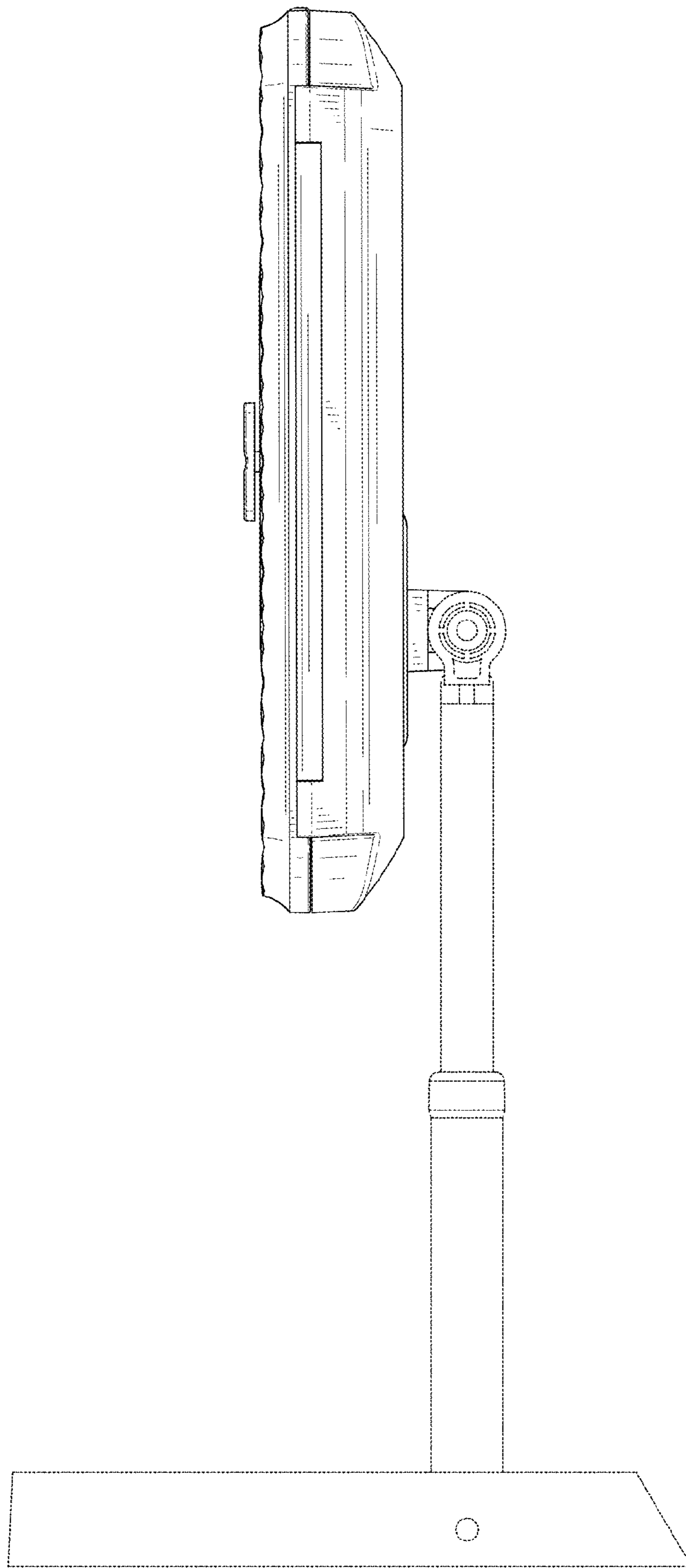


FIG. 6

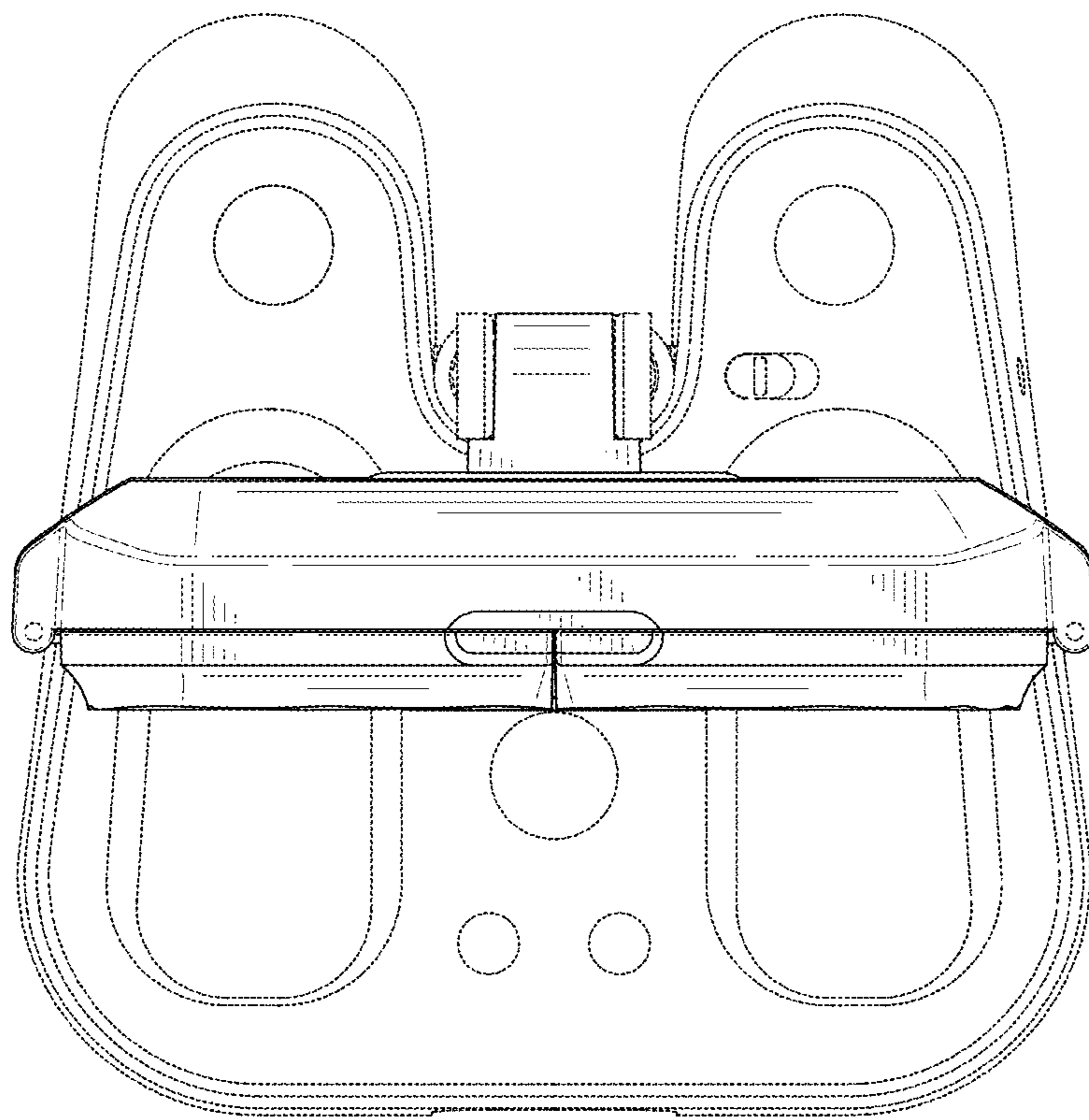


FIG. 7

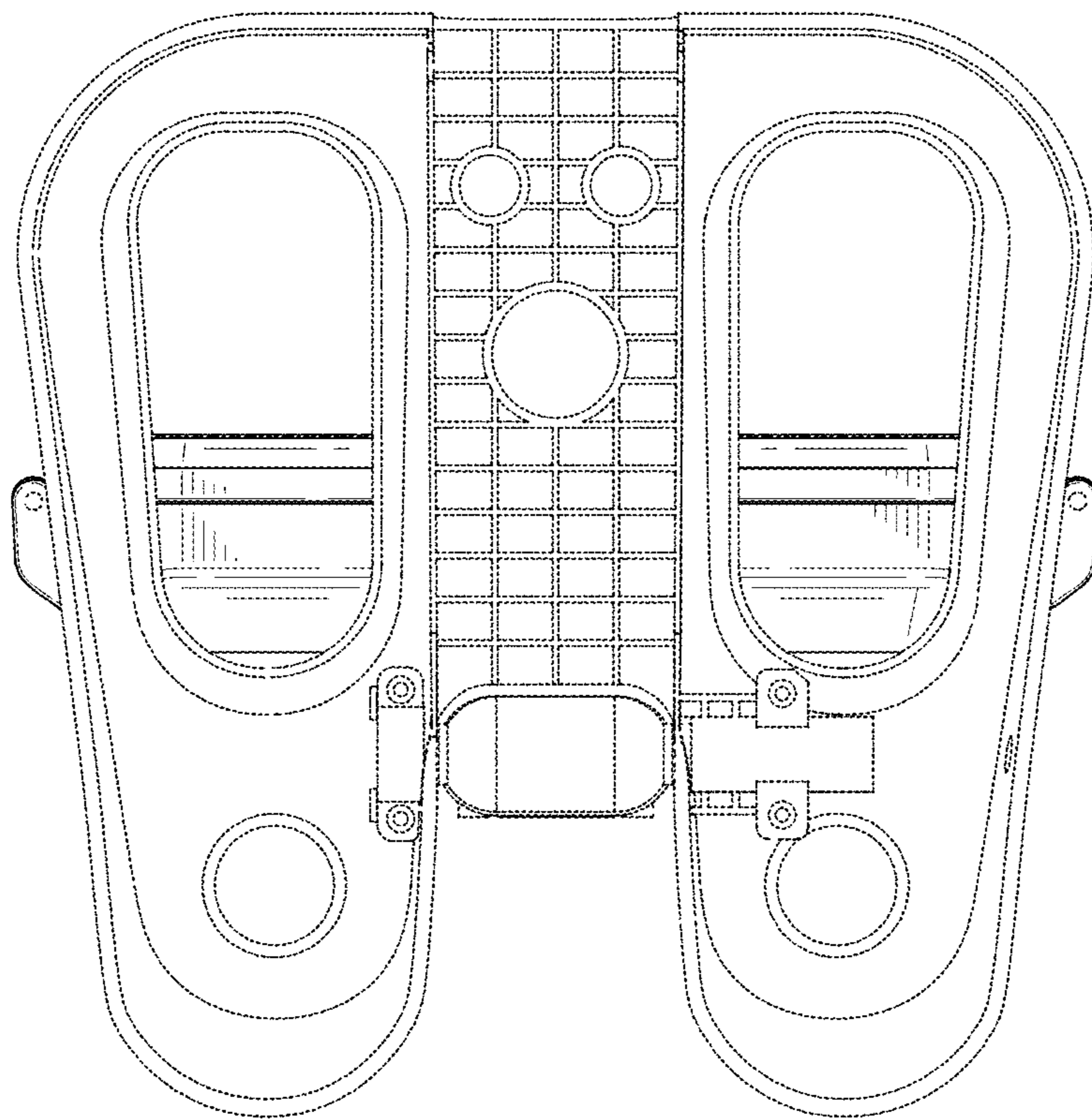


FIG. 8

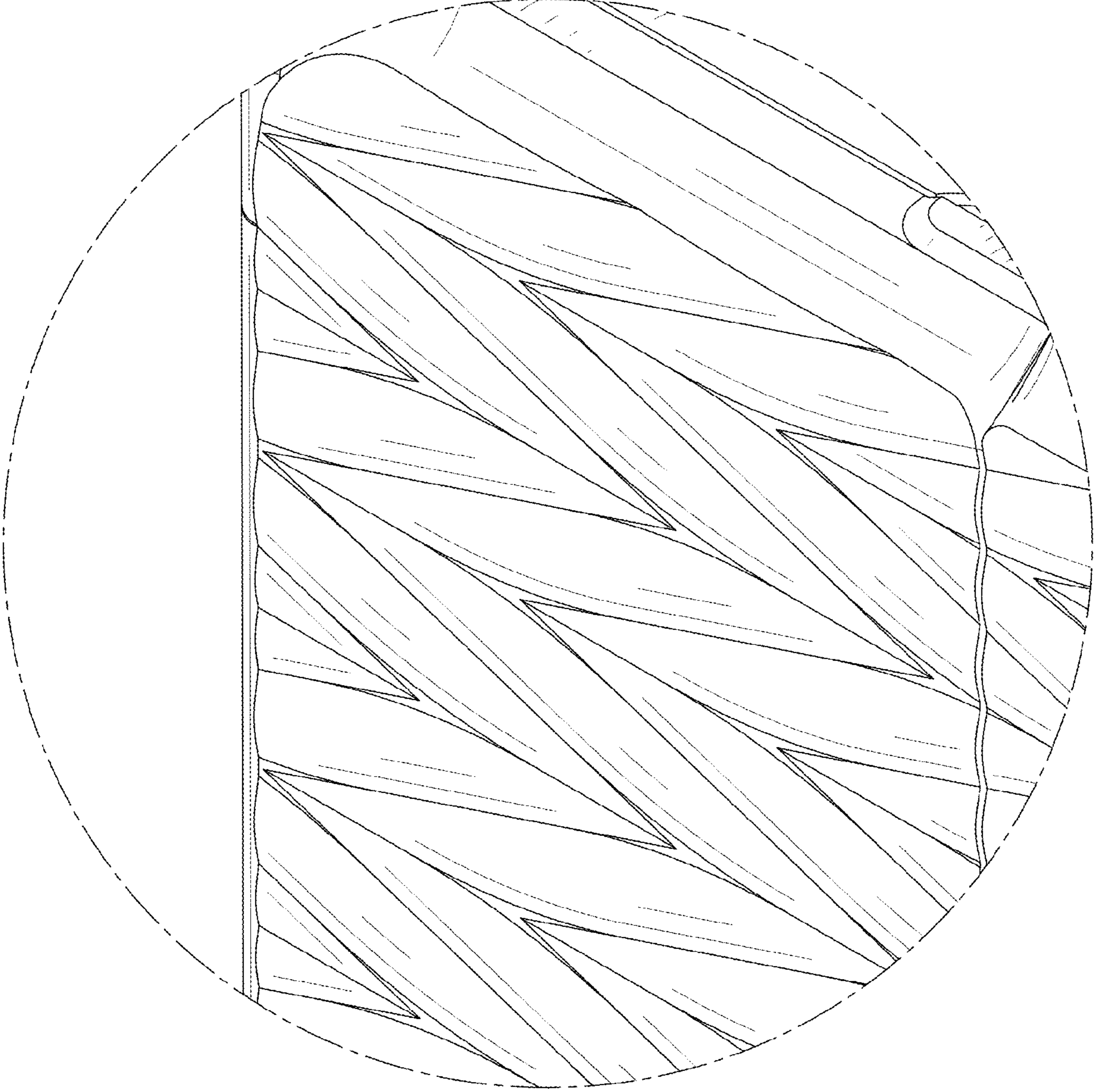


FIG. 9

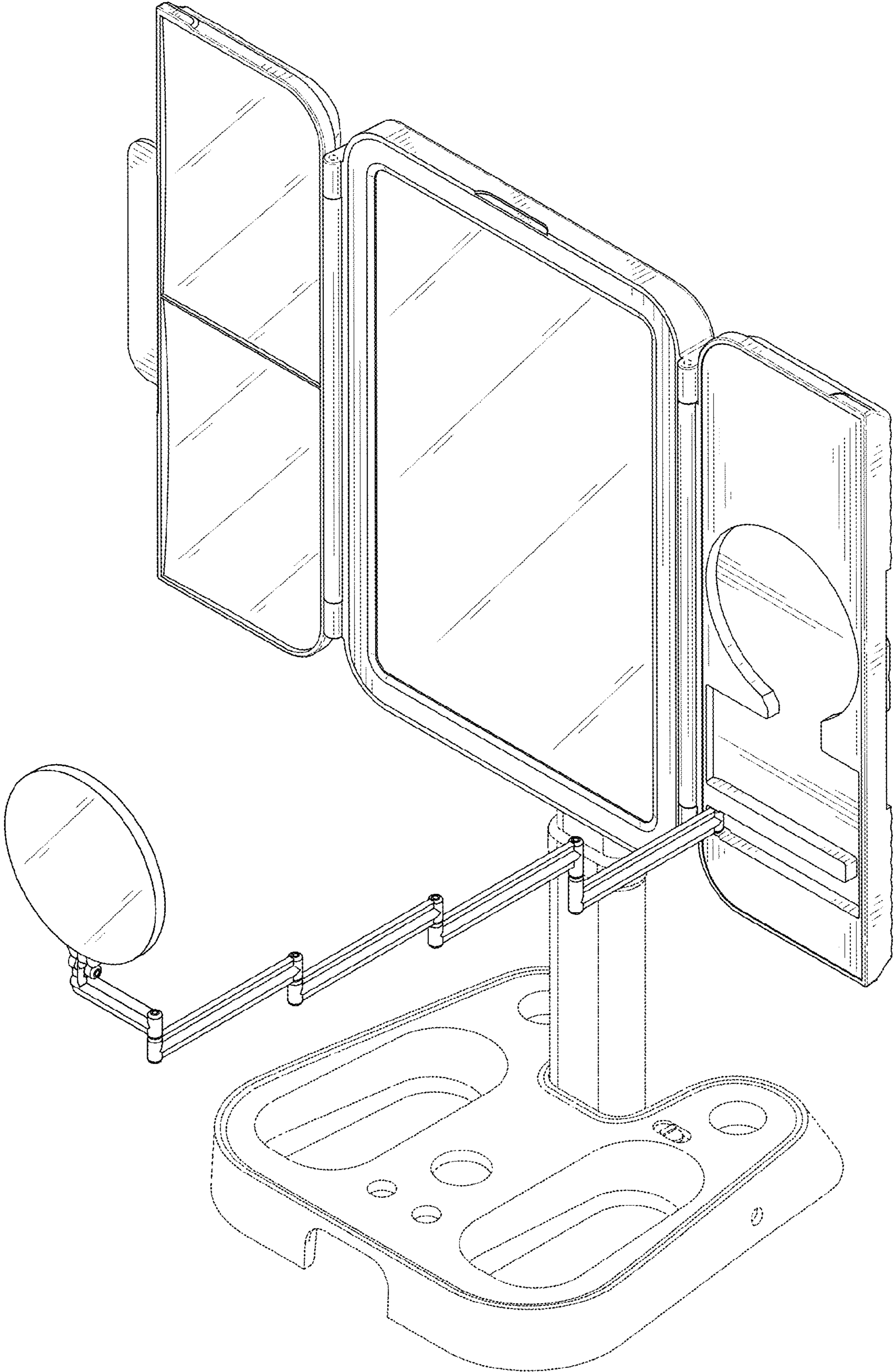


FIG. 10