



US00D942761S

(12) **United States Design Patent**
Wang

(10) **Patent No.:** **US D942,761 S**
(45) **Date of Patent:** **** Feb. 8, 2022**

(54) **DIGITAL PHOTO FRAME**

(71) Applicant: **SHENZHEN JOYHONG TECHNOLOGY CO., LTD,**
Guangdong (CN)

(72) Inventor: **Jianping Wang,** Guangdong (CN)

(73) Assignee: **ShenZhen JoyHong Technology Co., LTD,** Shenzhen (CN)

(**) Term: **15 Years**

(21) Appl. No.: **29/760,371**

(22) Filed: **Dec. 1, 2020**

(51) **LOC (13) Cl.** **06-07**

(52) **U.S. Cl.**
USPC **D6/308**

(58) **Field of Classification Search**
USPC D6/300, 301, 302, 303, 304, 307, 308,
D6/309, 310, 311, 312, 313, 314;
D10/15, 21, 24; D14/336, 341, 371, 374,
D14/381, 382; D20/10, 27
CPC A47G 1/06; A47G 1/0605; A47G 1/0616;
A47G 1/0638; A47G 1/08; A47G 1/14;
A47G 1/142; A47G 1/16; A47G 1/1613;
A47G 2001/0688; A47G 2001/0694;
A47G 2001/148; G09G 2380/16
See application file for complete search history.

(56) **References Cited**

U.S. PATENT DOCUMENTS

D614,871 S *	5/2010	Tang	D6/308
D634,131 S *	3/2011	Utsunomiya	D6/308
D642,385 S *	8/2011	Lee	D6/308
D740,805 S *	10/2015	Fujimoto	D14/341
D808,960 S *	1/2018	Chan	D14/341
D834,573 S *	11/2018	Pell	D14/336
D864,952 S *	10/2019	Tsukamoto	D14/341
D882,567 S *	4/2020	Parfitt	D14/371

D884,366 S *	5/2020	Gao	D6/308
D901,190 S *	11/2020	Horton	D6/300
D901,192 S *	11/2020	Wang	D6/308

(Continued)

FOREIGN PATENT DOCUMENTS

CN 306495370 * 12/2020

OTHER PUBLICATIONS

Digital Photo Frame—WiFi Cloud Series JT110G-A02B-U [online], [site visited Nov. 18, 2021]. Available from internet, URL: <https://joyhong.com/product-item/jt110g-a02b-u-11-inch-wifi-frame-with-video-chat-function/> (Year: 2021).*

(Continued)

Primary Examiner — George A Bugg
Assistant Examiner — Xavier Marti-Santos

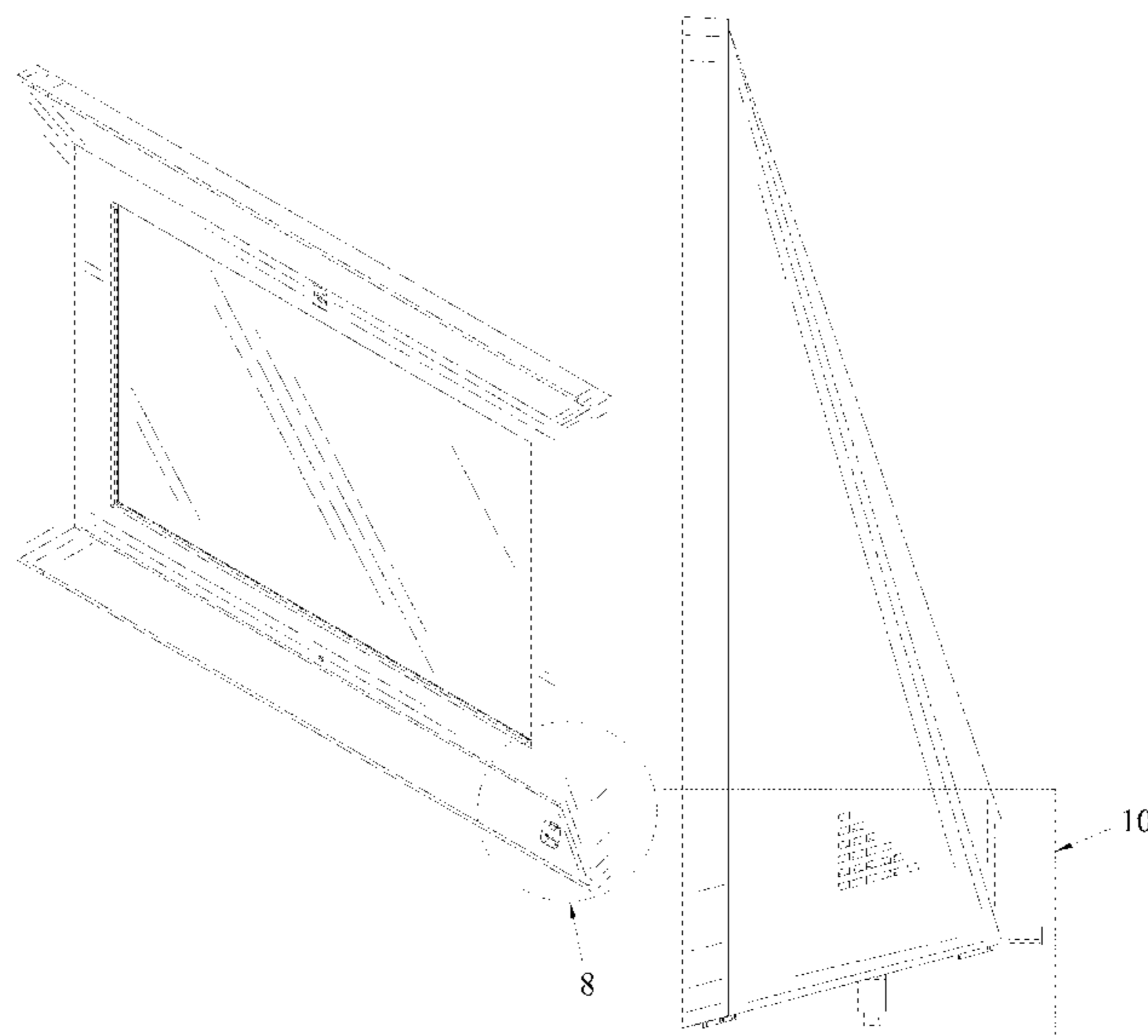
(57) **CLAIM**

The ornamental design for a digital photo frame, as shown and described.

DESCRIPTION

FIG. 1 is a perspective view of a digital photo frame showing our new design;
FIG. 2 is a front view thereof;
FIG. 3 is a back view thereof;
FIG. 4 is an enlarged left view thereof;
FIG. 5 is an enlarged right view thereof;
FIG. 6 is a top view thereof;
FIG. 7 is a bottom view thereof;
FIG. 8 is a partially enlarged view of FIG. 1;
FIG. 9 is a partially enlarged view of FIG. 3;
FIG. 10 is a partially enlarged view of FIG. 5; and,
FIG. 11 is a partially enlarged view of FIG. 7.
The broken lines shown on the drawings depict portions of the digital photo frame that form no part of the claimed design. The additional broken lines in the figures are demarcating enlarged areas and form no part of the claimed design.

1 Claim, 11 Drawing Sheets



(56)

References Cited

U.S. PATENT DOCUMENTS

D907,637 S * 1/2021 Han D14/440
D924,878 S * 7/2021 Han D14/440

OTHER PUBLICATIONS

InShareplus 16 GB Digital Picture Frame [online], [site visited Nov. 18, 2021]. Available from internet, URL: <<https://www.amazon.com/inShareplus-Digital-Picture-Portrait-Landscape/dp/B08QRPPZR9?th=1>> (Year: 2020).*

* cited by examiner

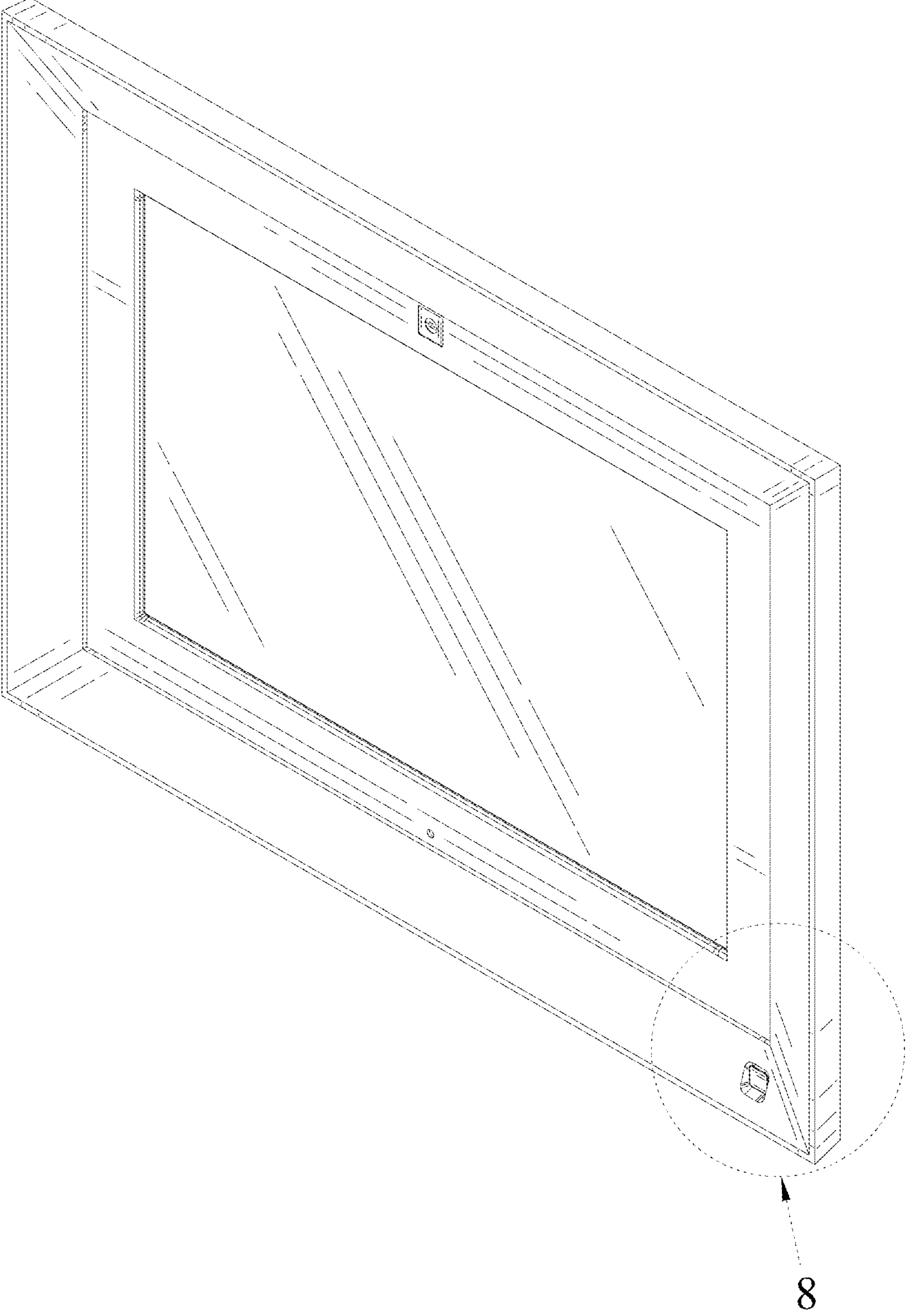


FIG. 1

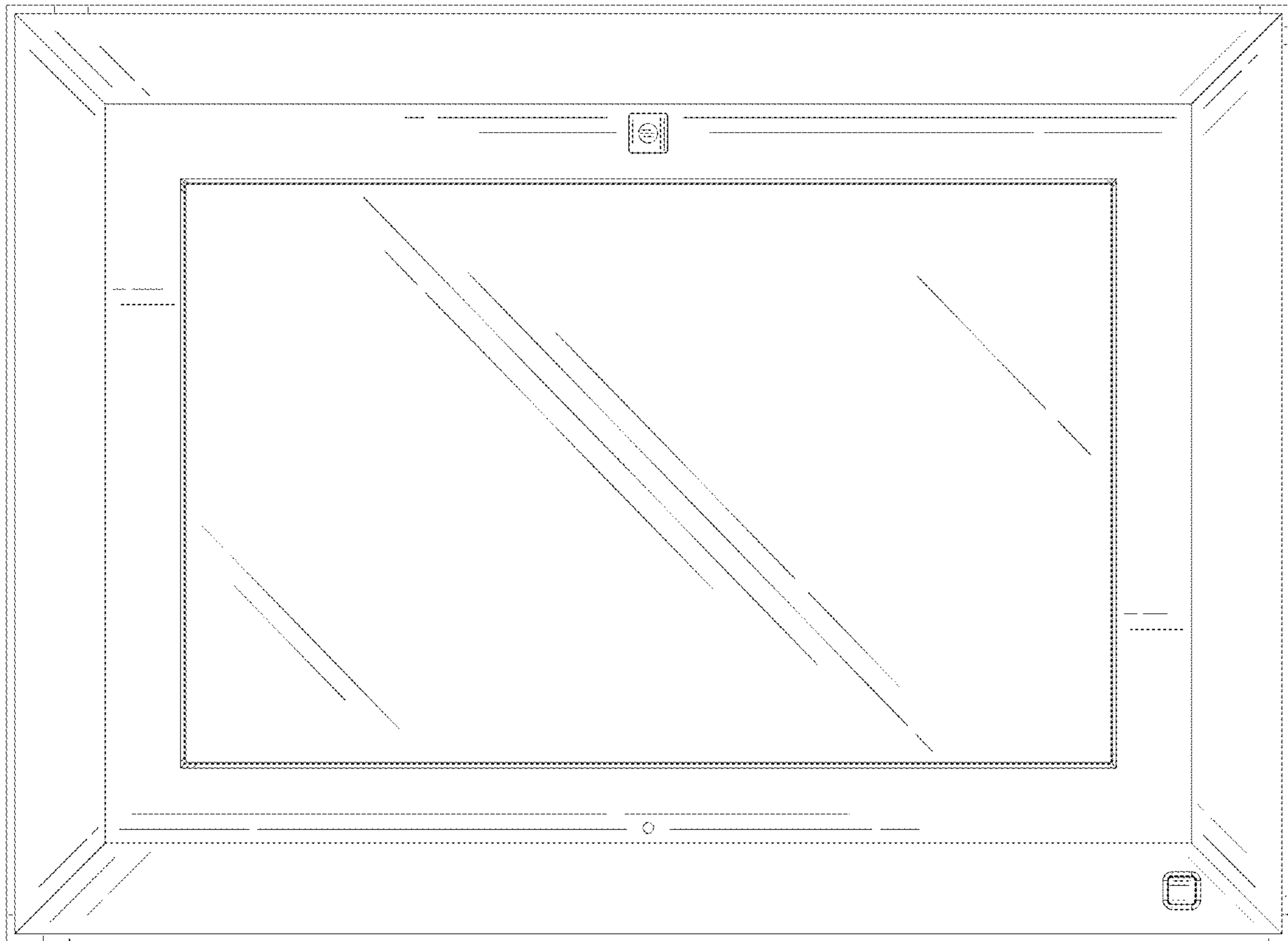


FIG. 2

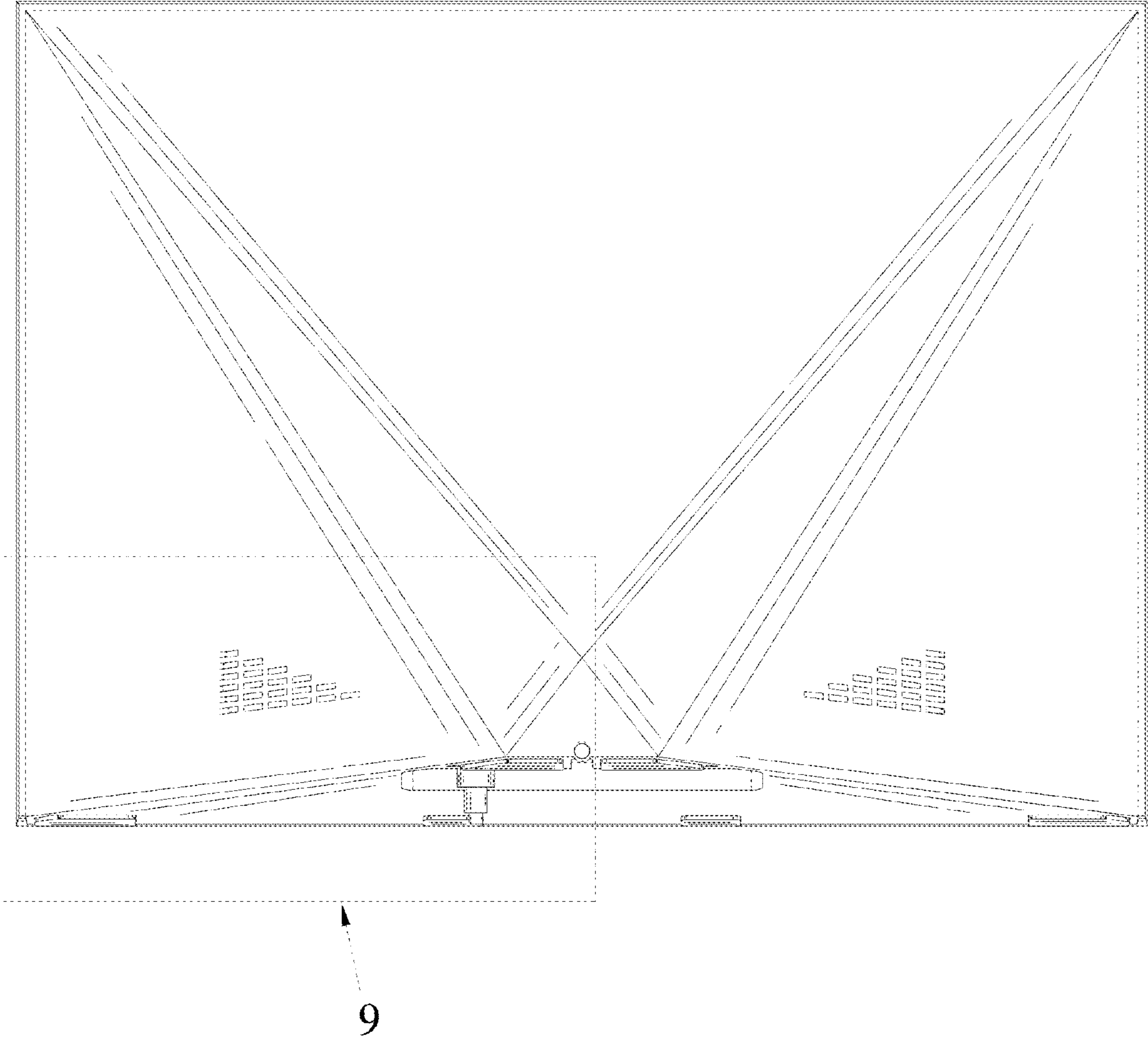


FIG. 3

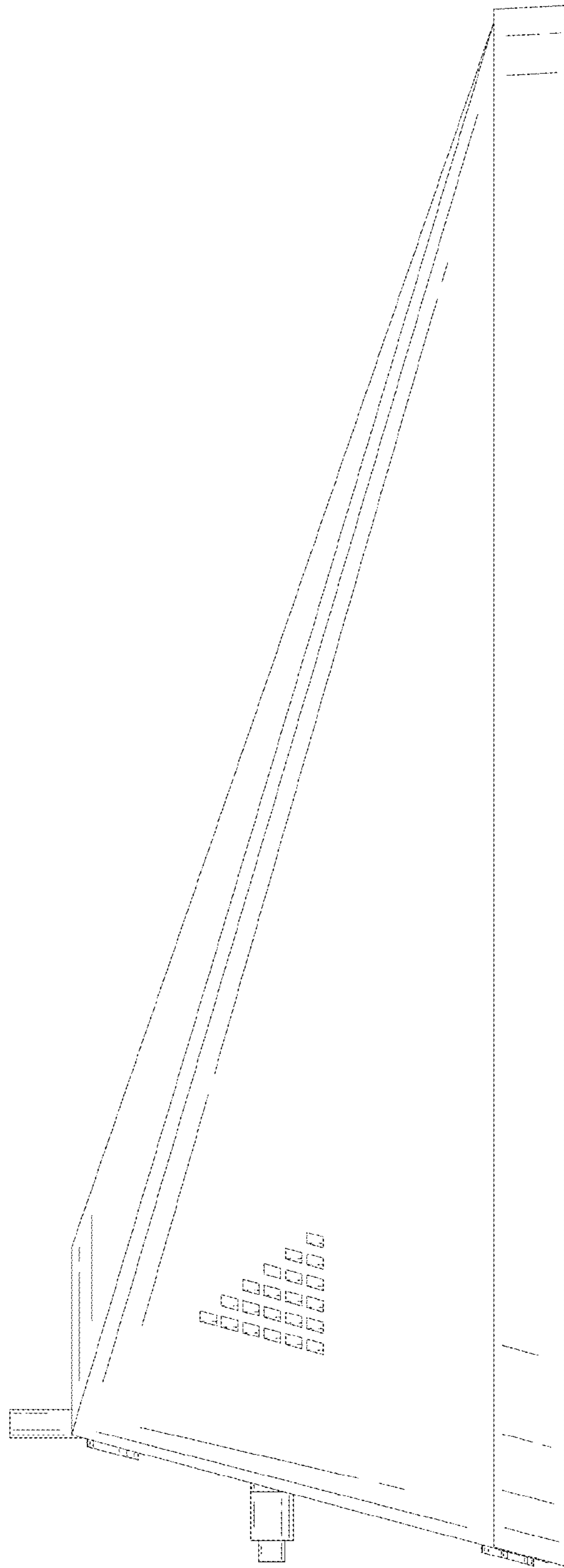


FIG. 4

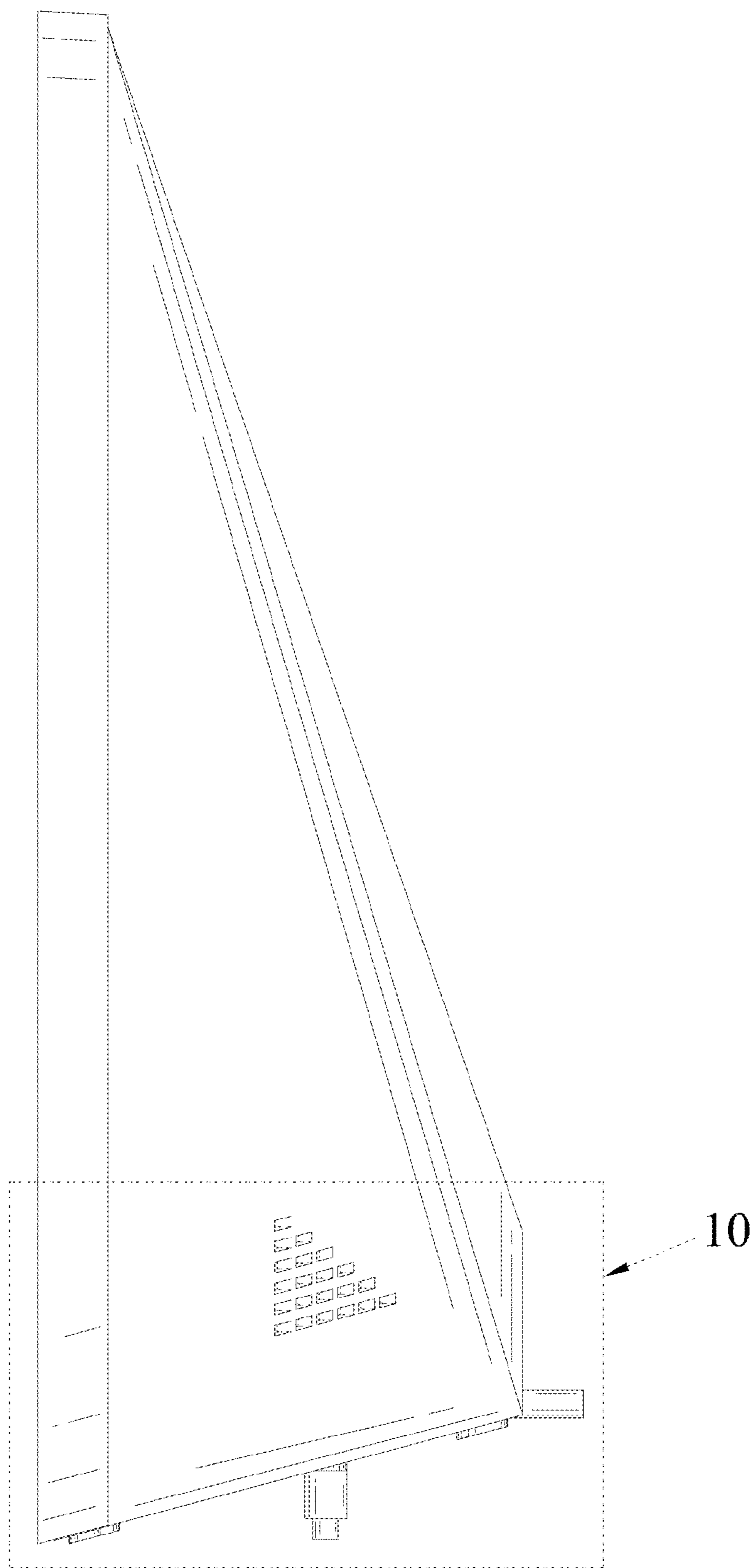


FIG. 5

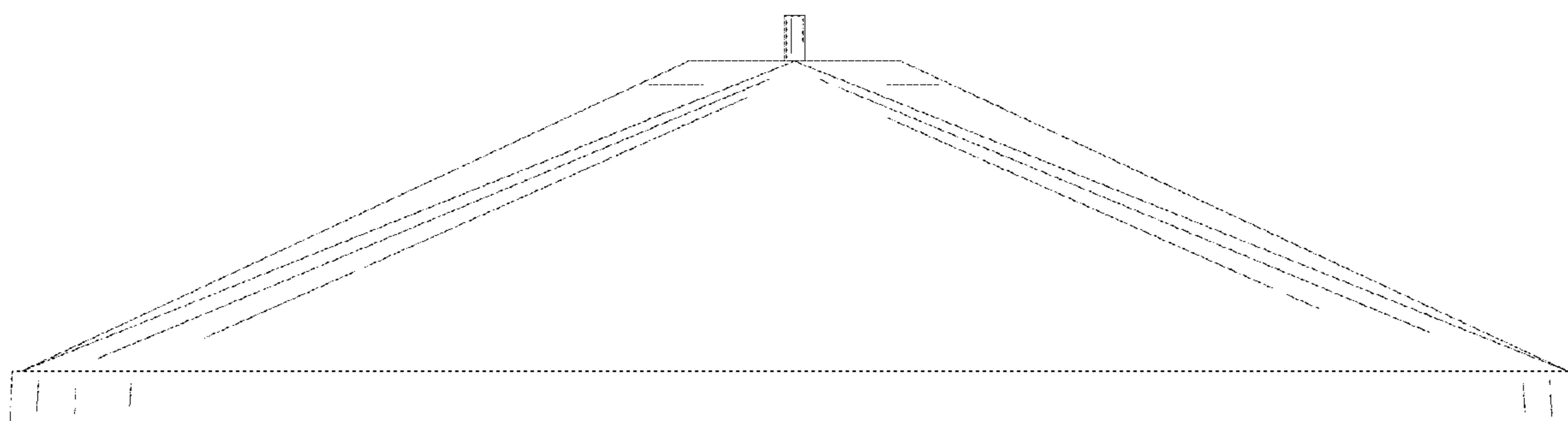


FIG. 6

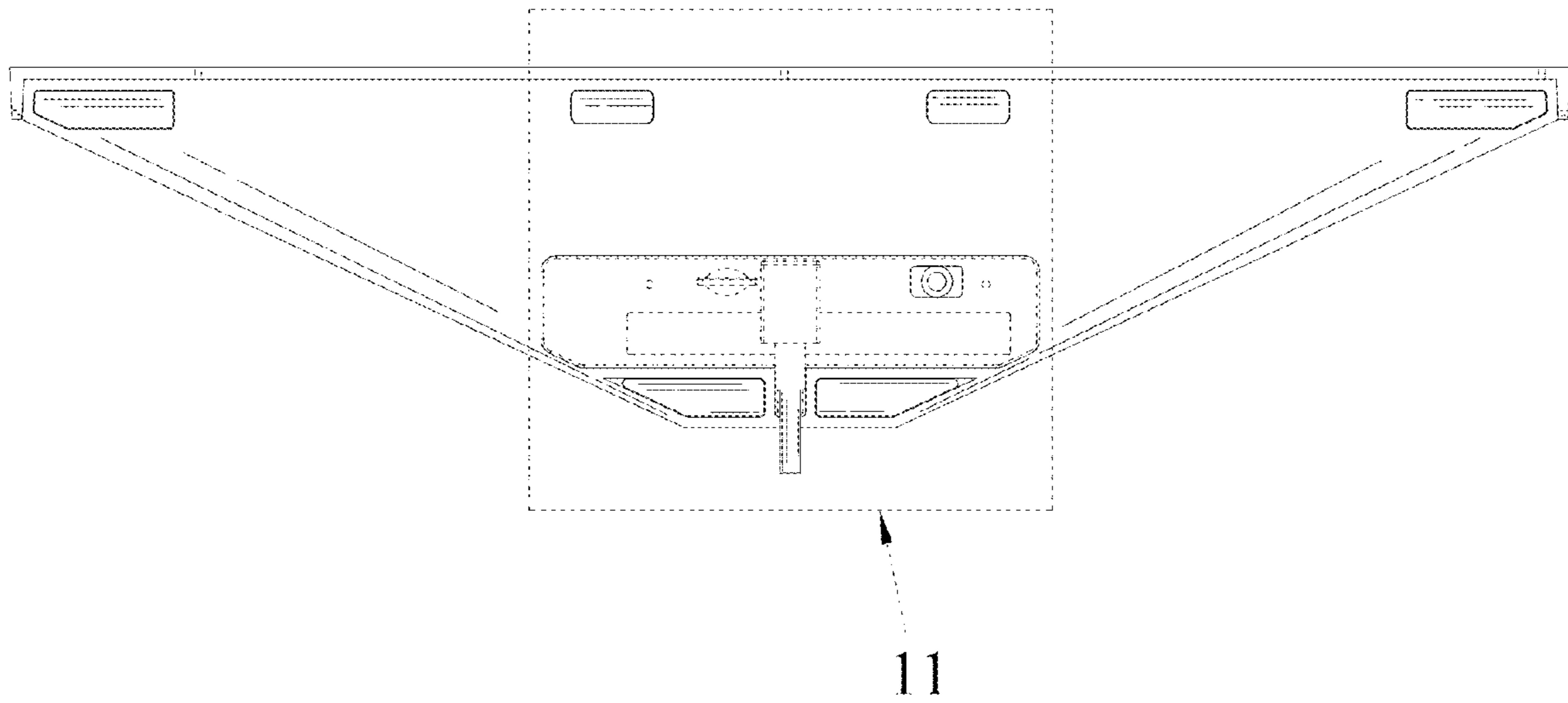


FIG. 7

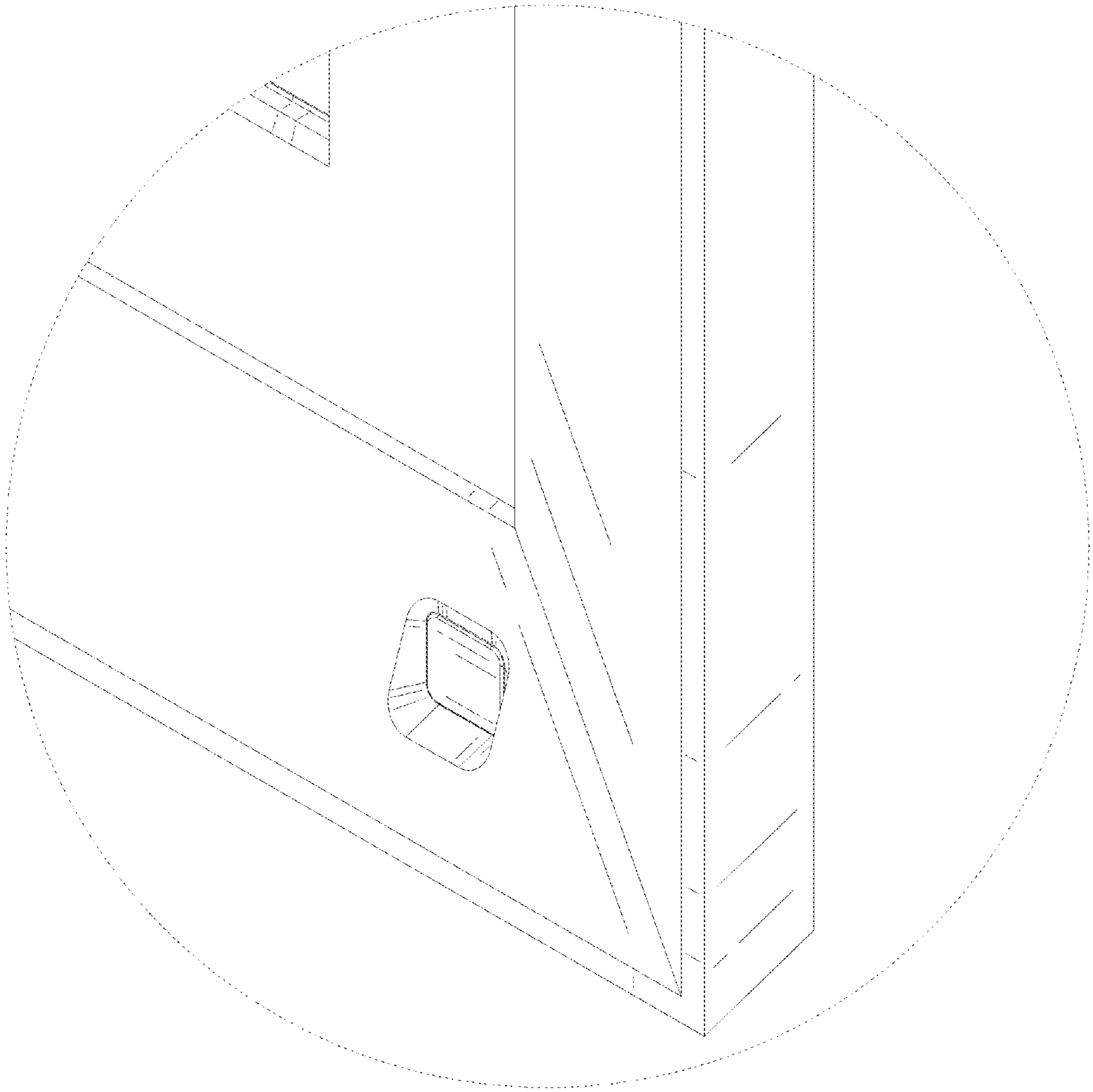


FIG. 8

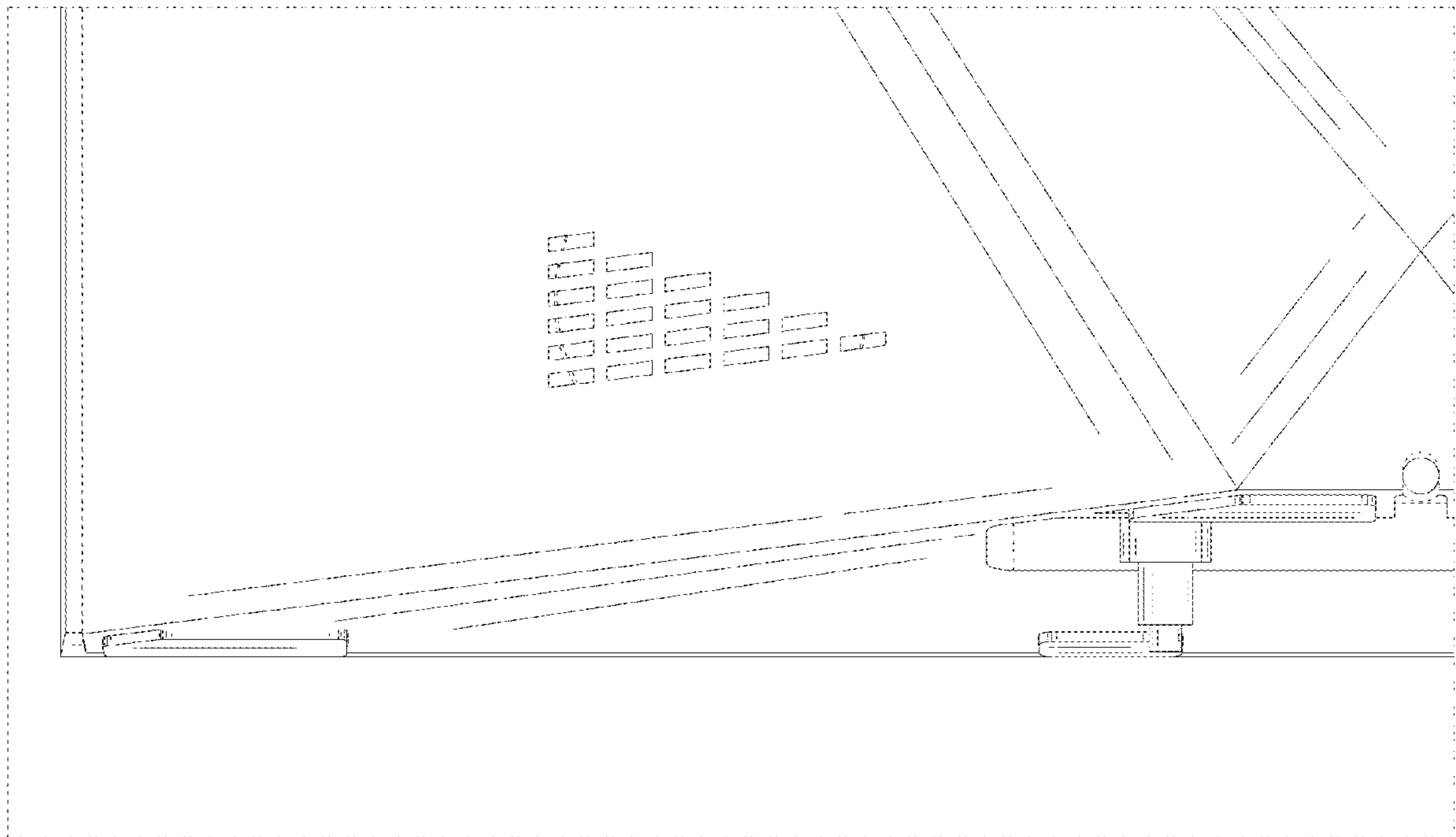


FIG. 9

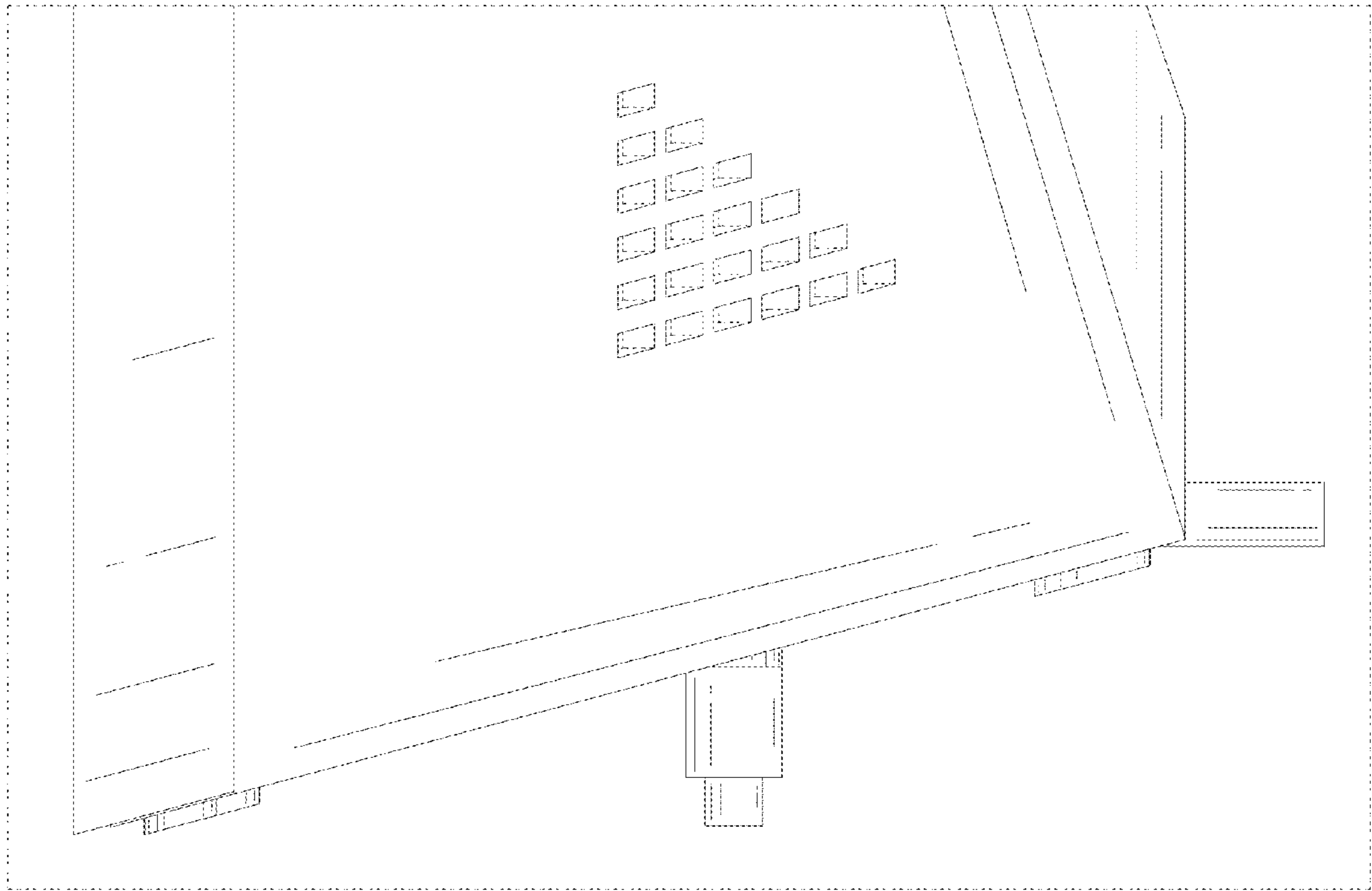


FIG. 10

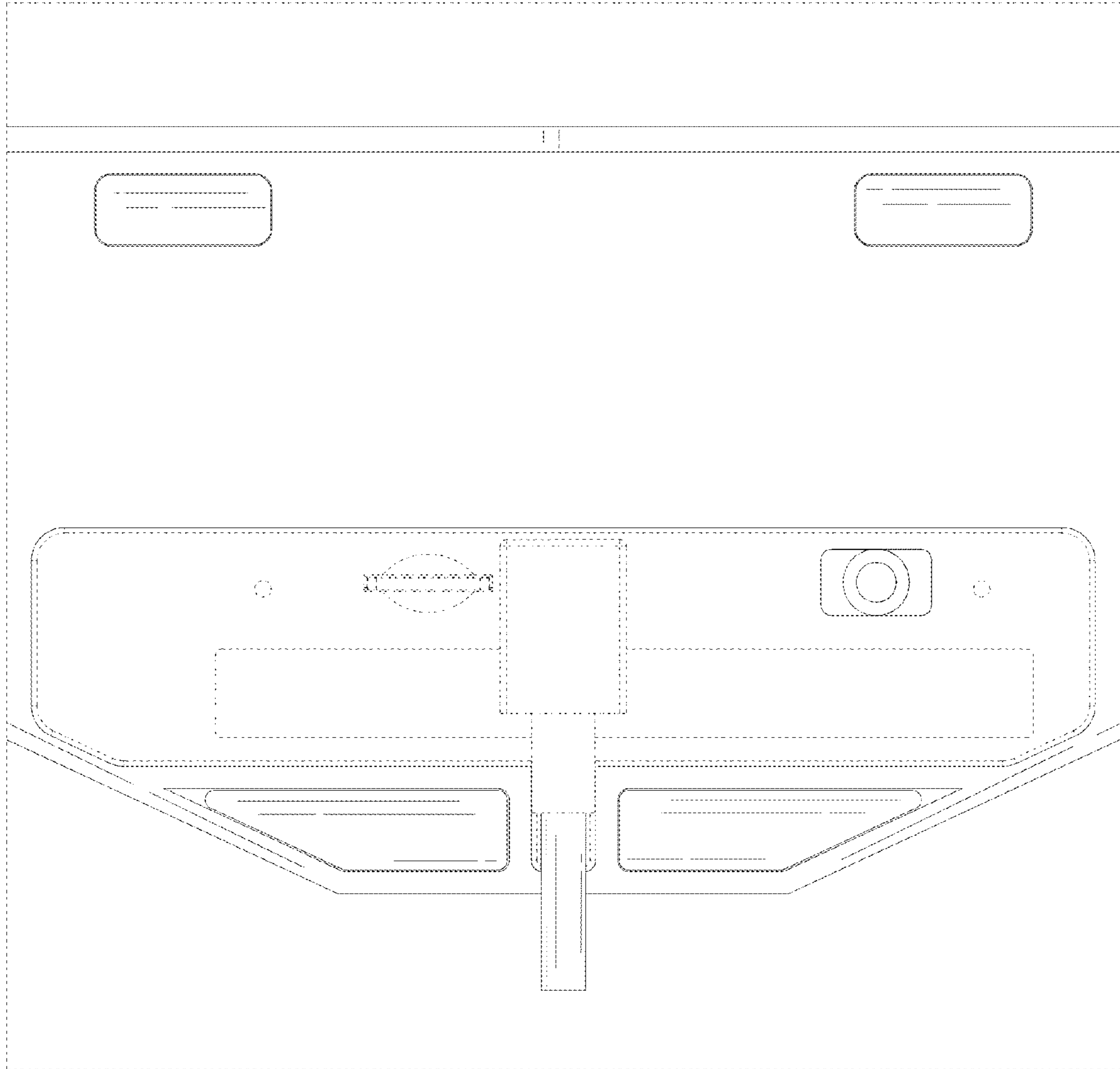


FIG. 11