

US00D942760S

(12) **United States Design Patent** (10) **Patent No.:** **US D942,760 S**
Cui (45) **Date of Patent:** **** Feb. 8, 2022**

(54) **FOLDABLE MIRROR**
(71) Applicant: **Weiqiang Cui**, Hebei (CN)
(72) Inventor: **Weiqiang Cui**, Hebei (CN)
(**) Term: **15 Years**
(21) Appl. No.: **29/783,136**
(22) Filed: **May 11, 2021**
(51) **LOC (13) Cl.** **06-07**
(52) **U.S. Cl.**
USPC **D6/302**
(58) **Field of Classification Search**
USPC D6/300, 301, 302, 303, 304, 307, 308,
D6/309, 310, 311, 312, 313, 314;
D28/64.1-64.7; D12/187, 416
CPC A45D 42/00; A45D 42/10; A45D 42/16;
A45D 42/20; A45D 42/24; A47G 1/00;
A47G 1/02; A47G 1/04; A47G 1/0622;
B60J 3/0282
See application file for complete search history.

(56) **References Cited**
U.S. PATENT DOCUMENTS
2,201,251 A * 5/1940 Van Patten A45D 42/10
362/141
D241,800 S * 10/1976 Johnson D6/301
D572,024 S * 7/2008 Shapiro D6/301
D805,398 S * 12/2017 Torchin D9/737
D859,011 S * 9/2019 Liu D6/310
D861,356 S * 10/2019 Zhu D6/310
D865,374 S * 11/2019 Yang D6/310
D866,988 S 11/2019 Shaffer et al.
D874,836 S * 2/2020 Li D6/312
D877,520 S 3/2020 Estores
D881,588 S * 4/2020 Zhu D6/310
D882,965 S * 5/2020 Liu D6/302

D886,469 S * 6/2020 Liu D6/310
D905,444 S * 12/2020 Yang D6/310
D935,792 S * 11/2021 Li D6/302

FOREIGN PATENT DOCUMENTS

CN 306906923 * 5/2021

OTHER PUBLICATIONS

Car Visor Mirror [online], [site visited Dec. 15, 2021]. Available from internet, URL: <<https://www.amazon.com/Huicocy-Cosmetic-Supplies-Universal-12in5-5in/dp/B073CP57PG/>> (Year: 2017).*
(Continued)

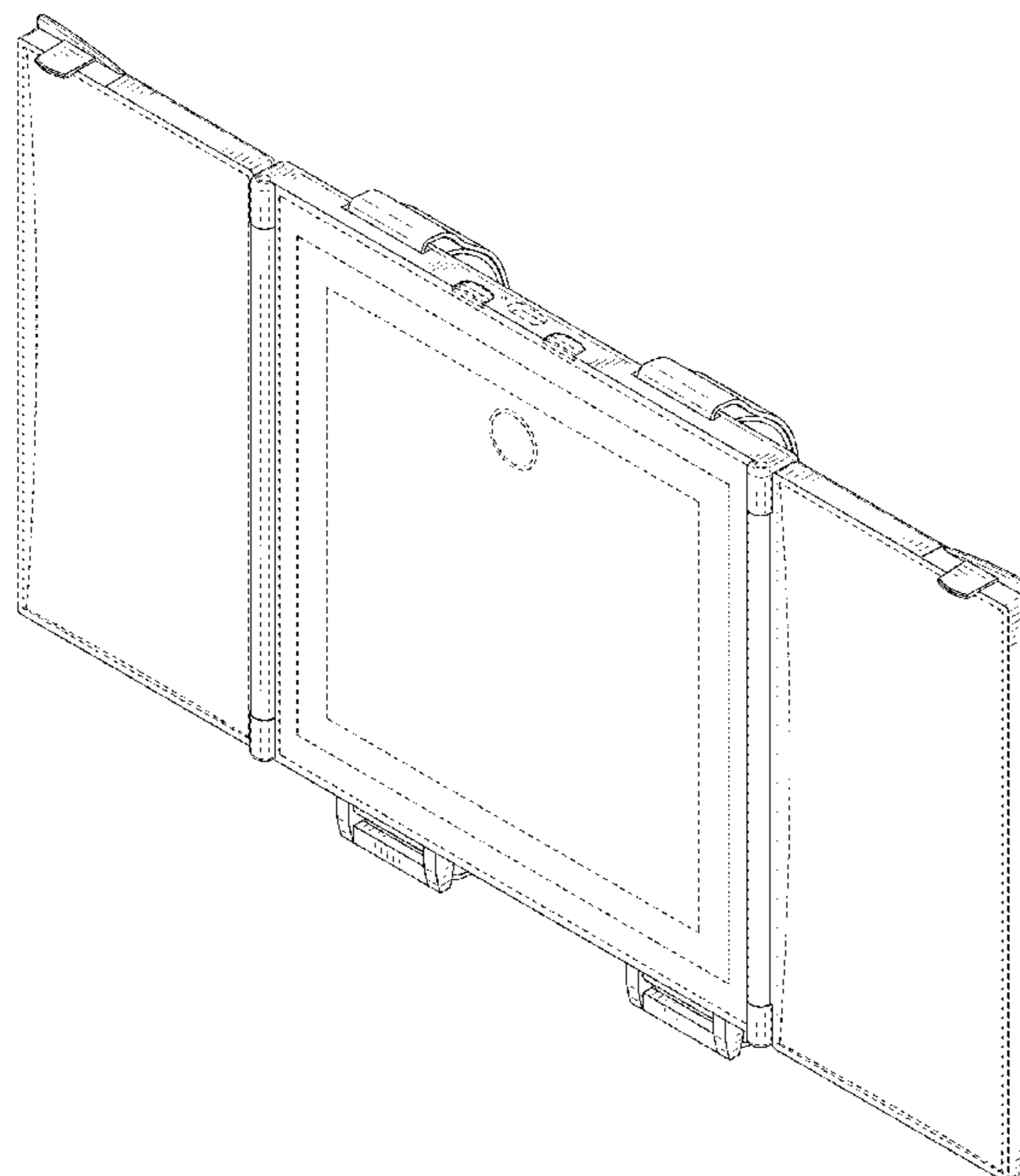
Primary Examiner — Cynthia Ramirez
Assistant Examiner — Xavier Marti-Santos
(74) *Attorney, Agent, or Firm* — ScienBiziP, P.C.

(57) **CLAIM**
The ornamental design for a foldable mirror, as shown and described.

DESCRIPTION

FIG. 1 is a front, right, and top perspective view of a foldable mirror, showing my design, wherein mirrors of the foldable mirror are folded.
FIG. 2 is a rear, left, and bottom perspective view thereof.
FIG. 3 is a front elevation view thereof.
FIG. 4 is a rear elevation view thereof.
FIG. 5 is a left side elevation view thereof.
FIG. 6 is a right side elevation view thereof.
FIG. 7 is a top plan view thereof.
FIG. 8 is a bottom plan view thereof; and,
FIG. 9 is front, right, and top perspective view of the foldable mirror of FIG. 1, wherein the mirrors are unfolded. The broken lines shown in the drawings illustrate portions of the foldable mirror that form no part of the claimed design.

1 Claim, 9 Drawing Sheets



(56)

References Cited

OTHER PUBLICATIONS

Large Vanity Mirror Makeup Mirror [online], [site visited Dec. 15, 2021]. Available from internet, URL: <https://www.amazon.com/Vanity-Mirror-Lighted-Hollywood-Control/dp/B085ZDCR78?ref_ast_sto_dp> (Year: 2020).*

* cited by examiner

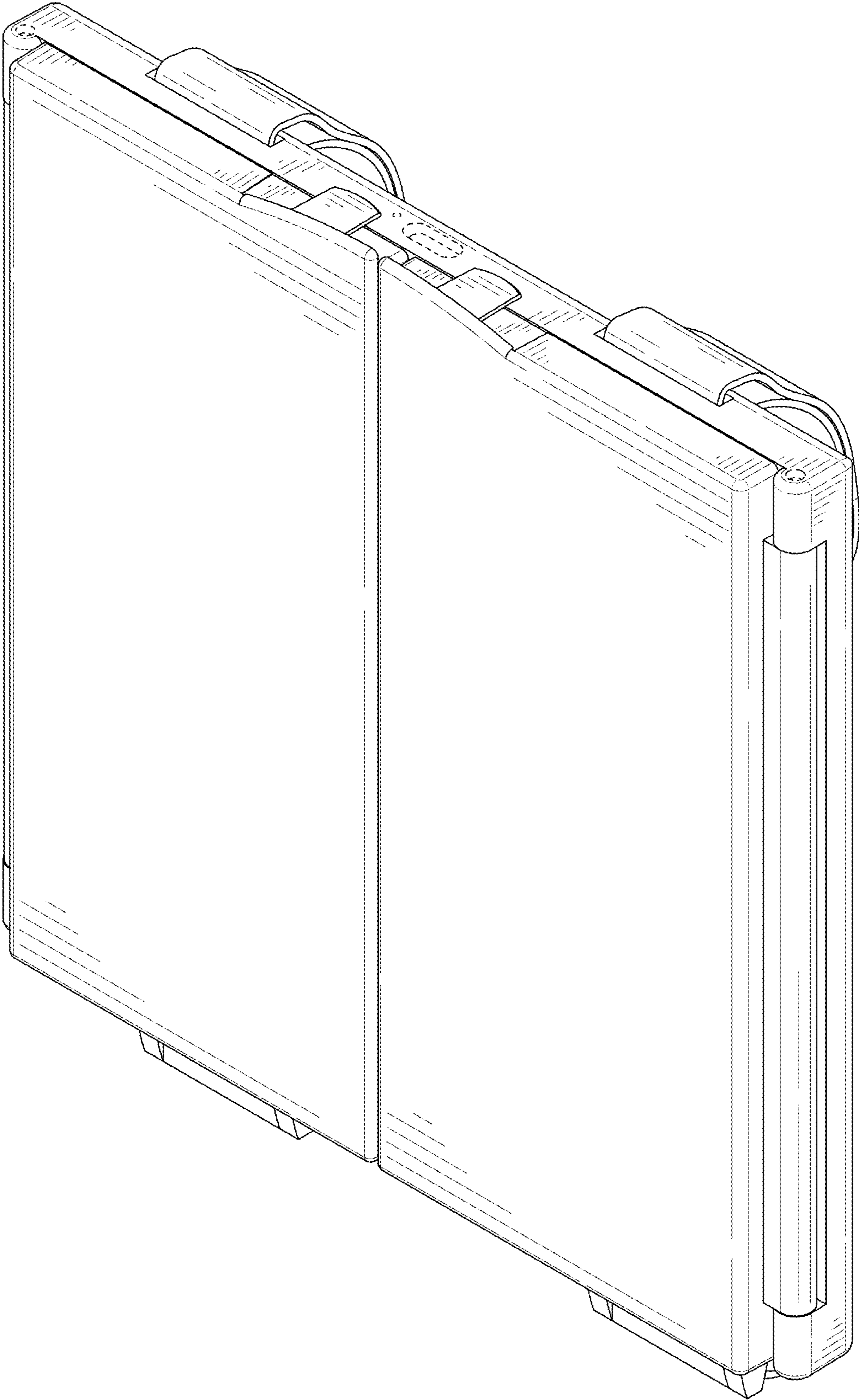


FIG. 1

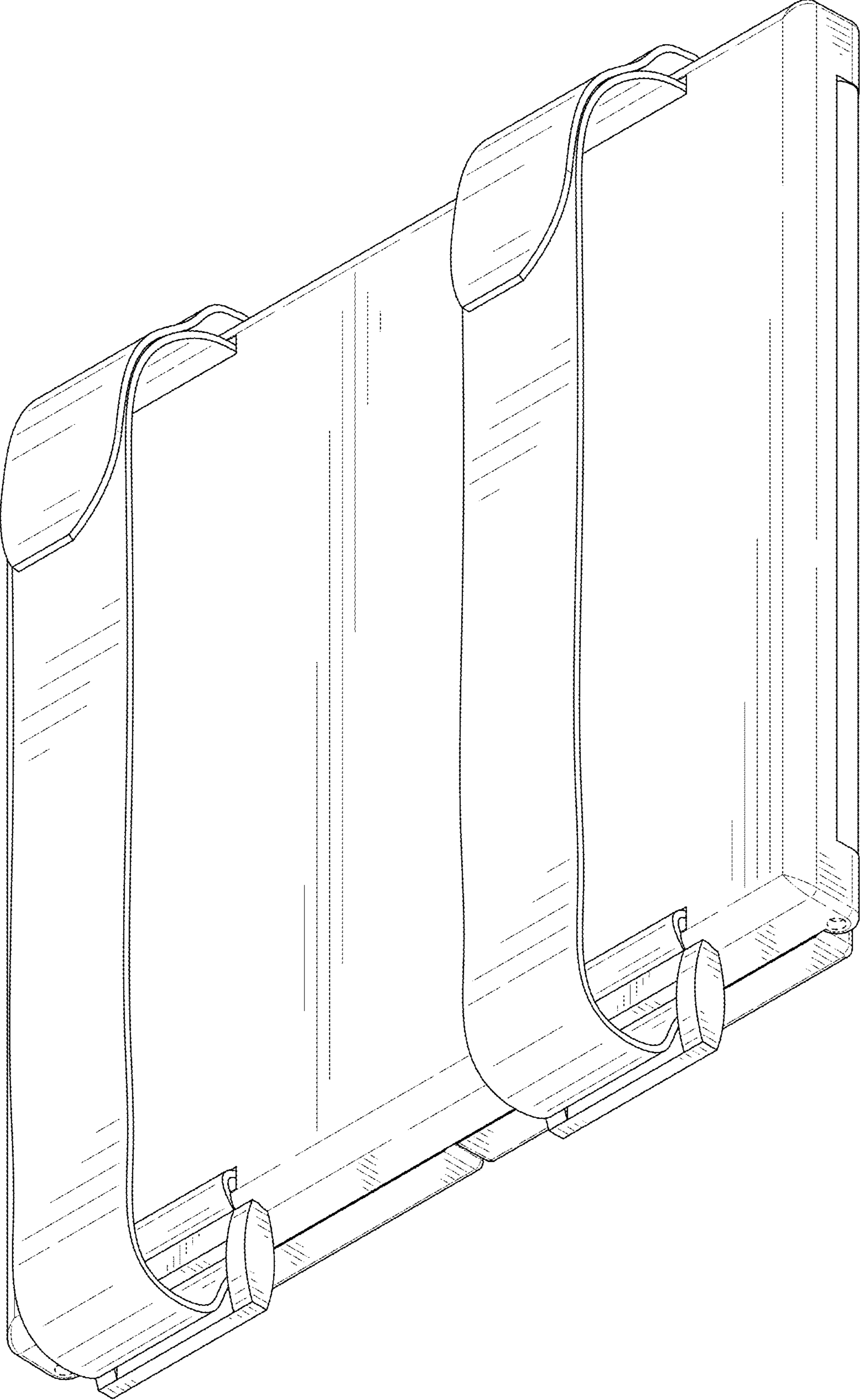


FIG. 2

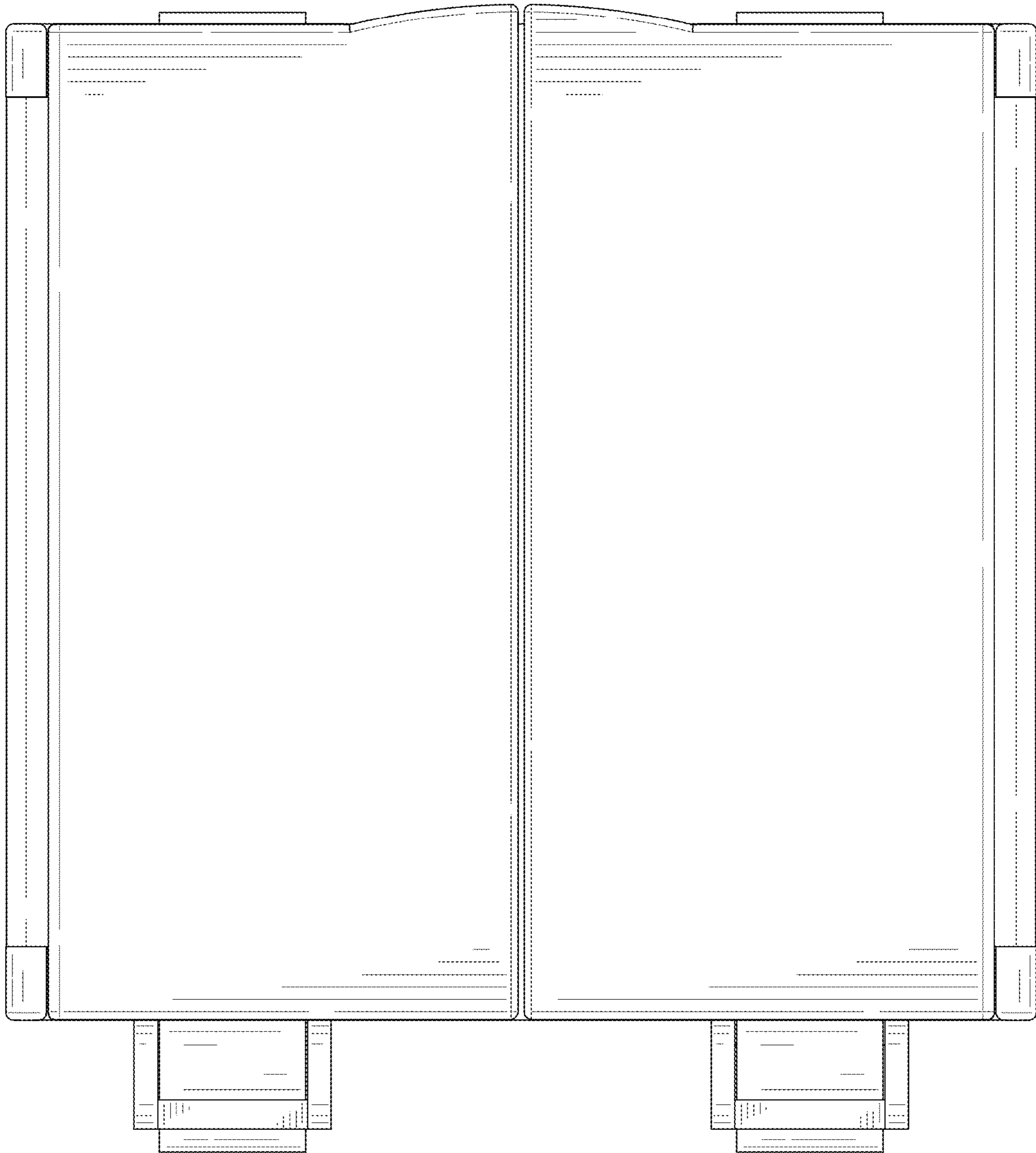


FIG. 3

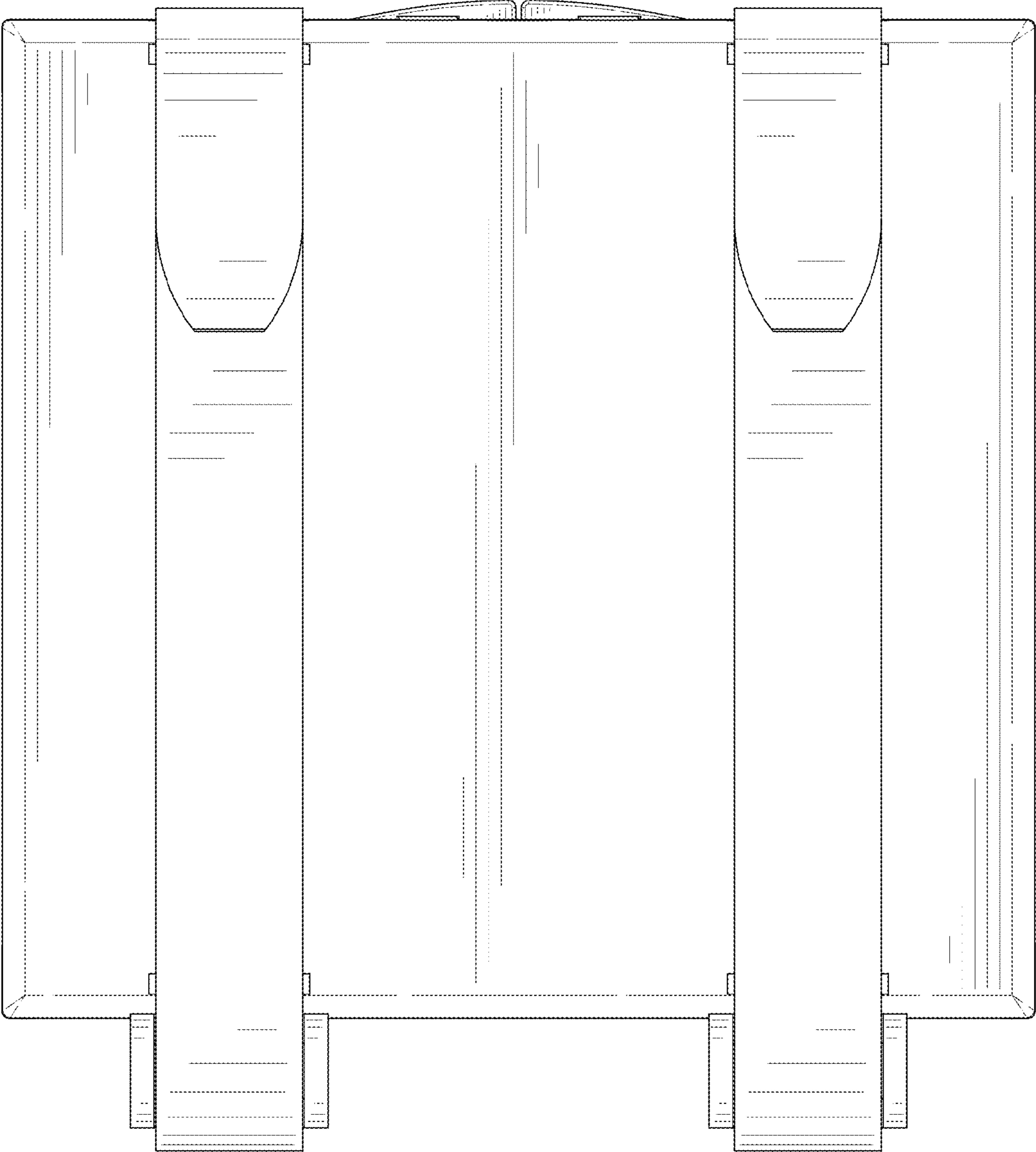


FIG. 4

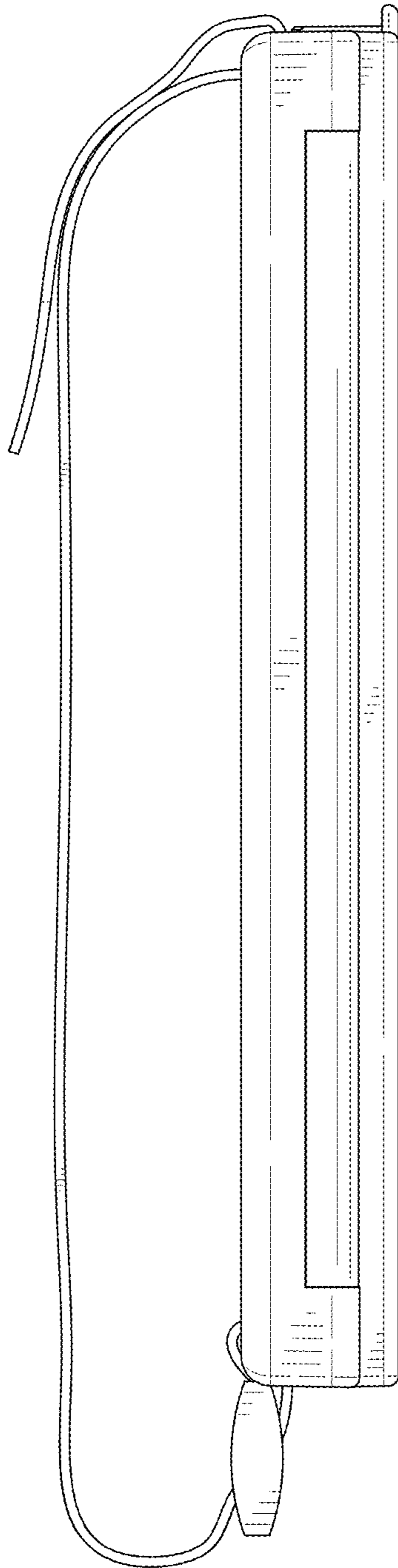


FIG. 5

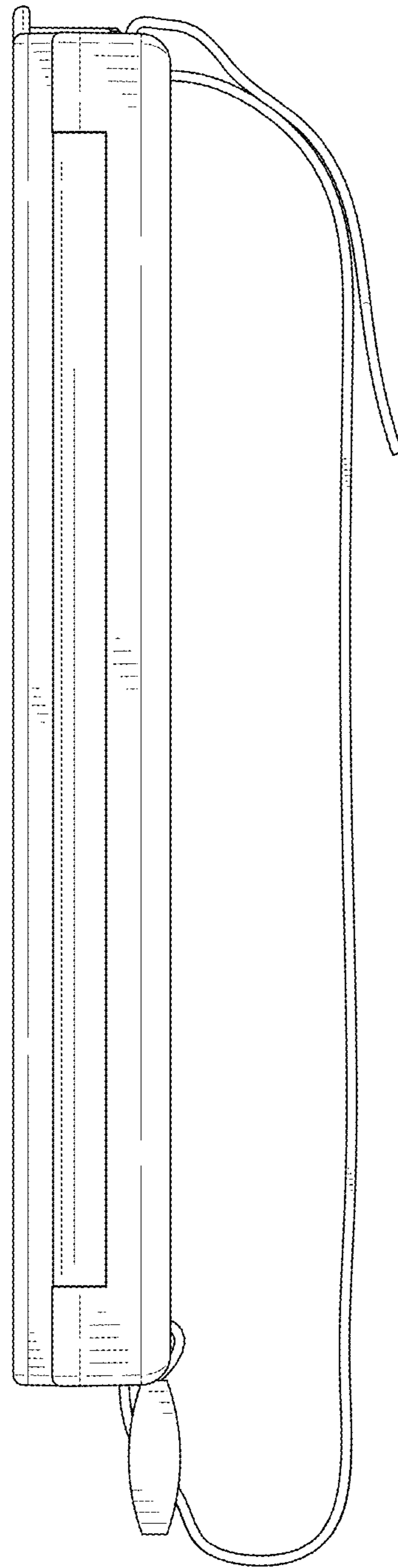


FIG. 6

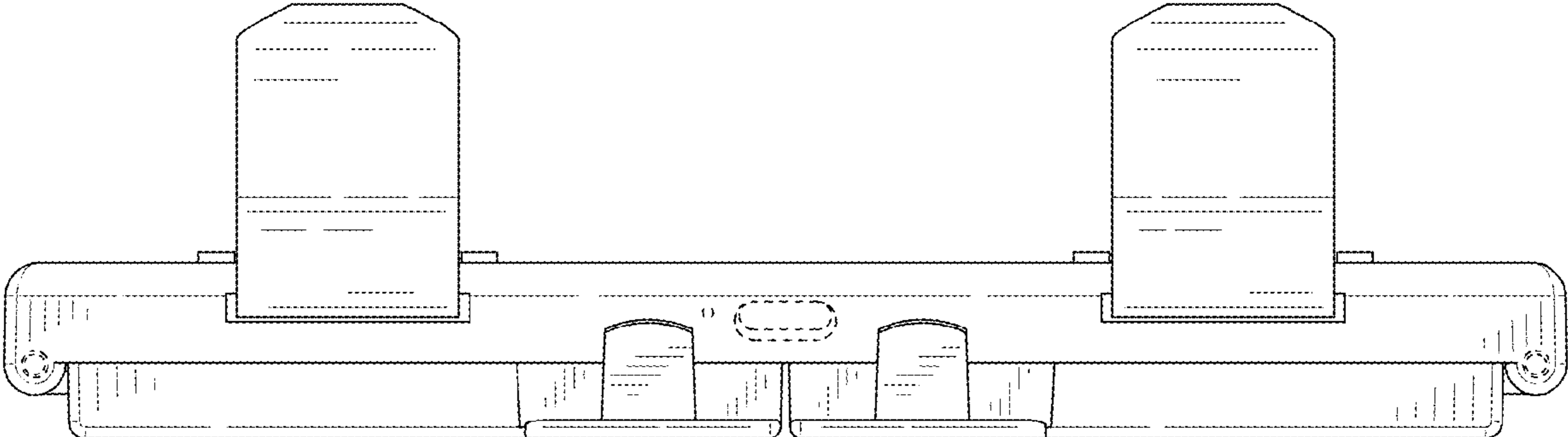


FIG. 7

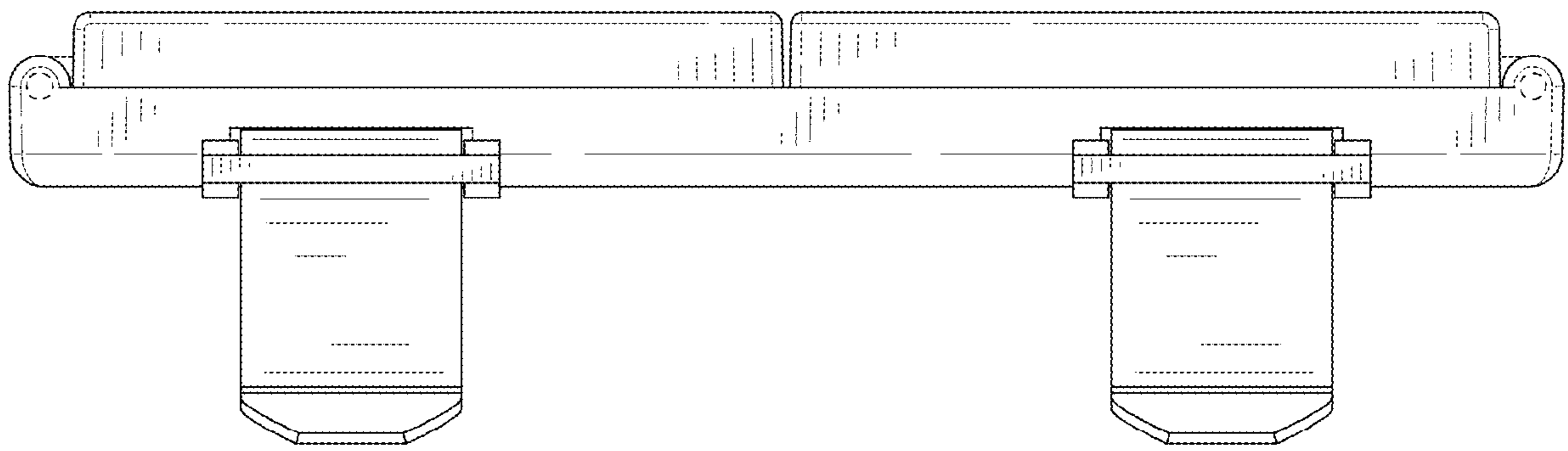


FIG. 8

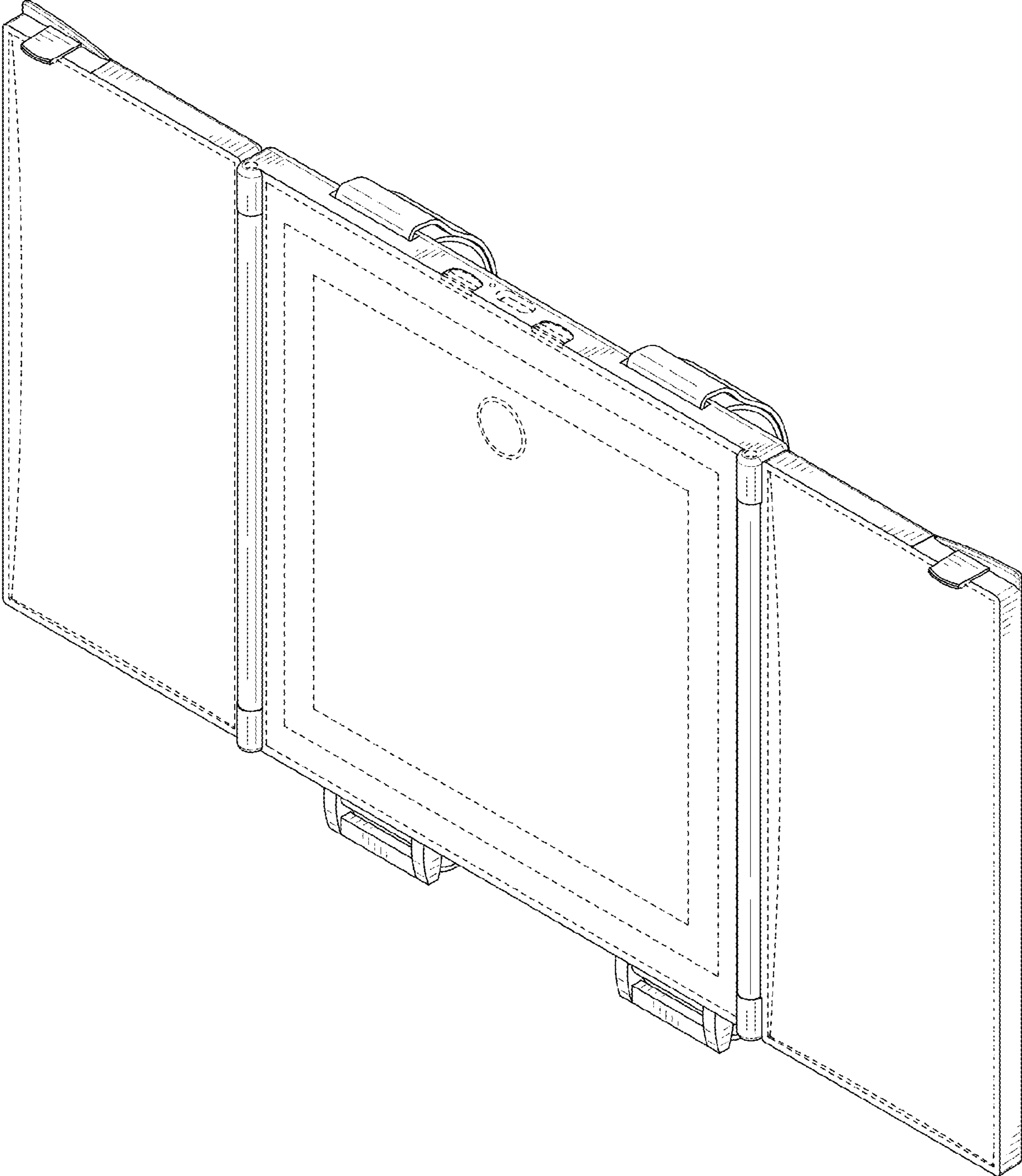


FIG. 9