



US00D942757S

(12) **United States Design Patent** (10) **Patent No.:** **US D942,757 S**
Zhang (45) **Date of Patent:** **** Feb. 8, 2022**

(54) **HAIR DRYER VOLUMIZER BRUSH**

FOREIGN PATENT DOCUMENTS

(71) Applicant: **Zhaojie Zhang**, Changde (CN)

EM 007463047-0001 * 1/2020

(72) Inventor: **Zhaojie Zhang**, Changde (CN)

GB 9007330121-0001 * 12/2019

GB 9007463047-0001 * 12/2019

(**) Term: **15 Years**

OTHER PUBLICATIONS

(21) Appl. No.: **29/721,213**

Volumizer-Riverback, k Negaqtive Generator Straightener [on-line]. [Customer review publication dates from Feb. 18, 2020.] URL: >https://www.amazon.com/Volumizer-Riverback-Negative-Generator-Straightener/dp/B084JFWK2V/ref=asc_df_B084JFWK2V?tag=bingshoppinga-20&linkCode=df0&hvadid=79920843352537&hvnetw=o&hvqmt=e&hvbmt=be&hvdev=c&hvlocint=&hvlocphy=&hvtargid=pla-4583520390195305&psc=1#customerReviews<(Year: 2020).*

(22) Filed: **Jan. 18, 2020**

* cited by examiner

(51) **LOC (13) Cl.** **28-03**

(52) **U.S. Cl.**

USPC **D4/100**; D28/35

(58) **Field of Classification Search**

USPC D4/100, 102, 114, 115, 116, 117, 118, D4/119, 120, 121, 122, 123, 124, 125, D4/126, 127, 128, 129, 130, 131, 132, D4/133, 134, 135, 136, 137, 138, 199; D30/158, 159

CPC A46B 5/02; A46B 9/005; A46B 9/023; A46B 9/026; A46B 9/028; A46B 9/06; A46B 2200/104; A46D 1/00

See application file for complete search history.

Primary Examiner — Karen E Eldridge Powers

(57) **CLAIM**

The ornamental design for a hair dryer volumizer brush, as shown and described.

(56) **References Cited**

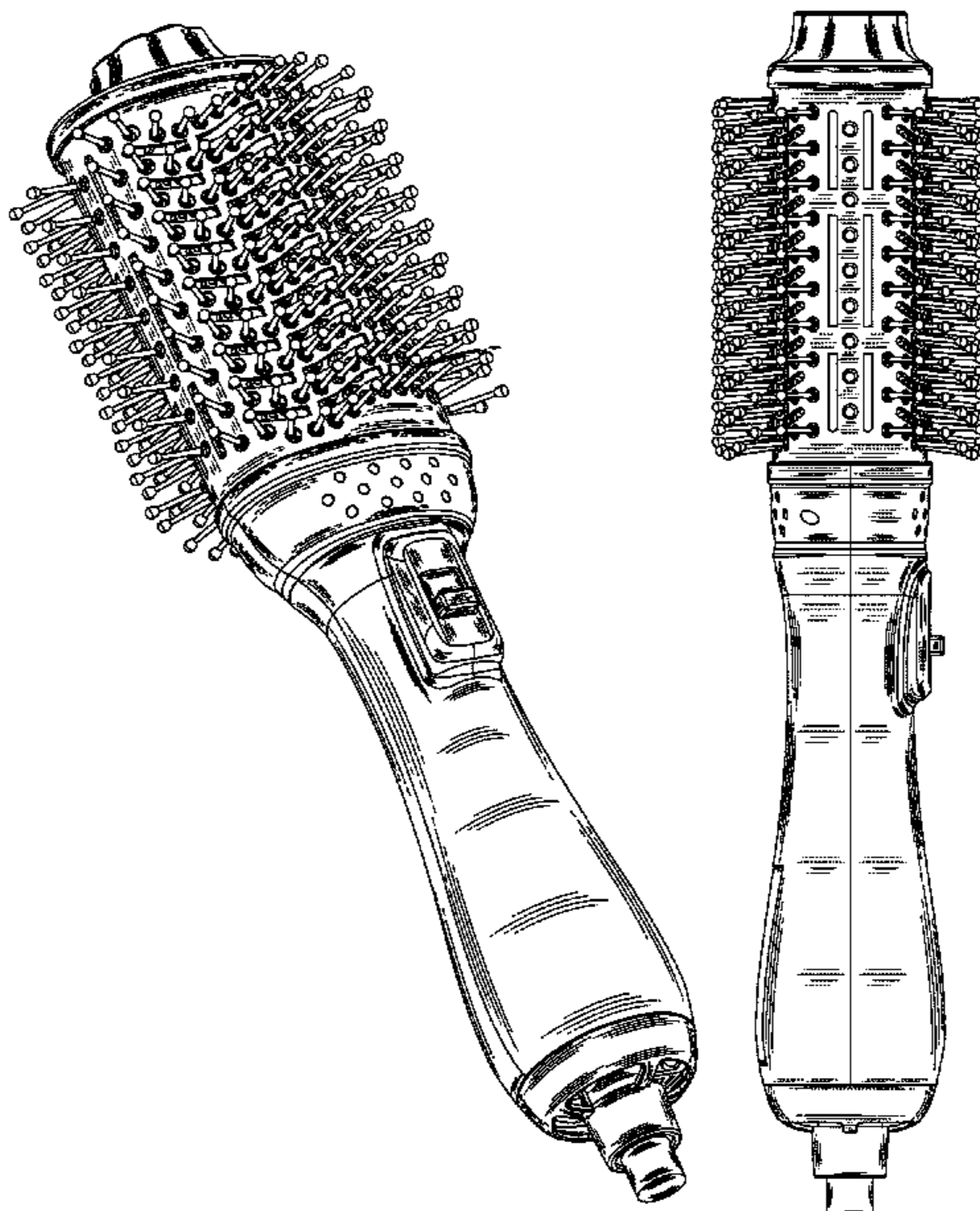
DESCRIPTION

U.S. PATENT DOCUMENTS

2,496,010	A	*	1/1950	Fred	A46B 15/00
						15/201
D359,624	S	*	6/1995	Dols	D4/134
D738,625	S	*	9/2015	Julemont	D4/102
D800,454	S	*	10/2017	Mathieu	D4/102
D901,898	S	*	11/2020	Zhanye	D4/102
D902,482	S	*	11/2020	Koenemann	D28/35
D902,603	S	*	11/2020	Zhanye	D4/102
D903,941	S	*	12/2020	Koenemann	D28/35
D908,956	S	*	1/2021	Kwok	D28/35
D915,775	S	*	4/2021	Moon	D4/128
D916,368	S	*	4/2021	Koenemann	D28/35
D916,370	S	*	4/2021	Zhang	D28/35
D921,291	S	*	6/2021	Zhang	D28/35

FIG. 1 is a perspective view of a hair dryer volumizer brush showing my new design; FIG. 2 is a front elevational view thereof; FIG. 3 is a rear elevational view thereof; FIG. 4 is a left side elevational view thereof; FIG. 5 is a right side elevational view thereof; FIG. 6 is a top plan view thereof; FIG. 7 is a bottom plan view thereof; FIG. 8 is an enlarged detail view, taken from FIG. 2; and, FIG. 9 is an enlarged detail view, taken from FIG. 3.

1 Claim, 9 Drawing Sheets



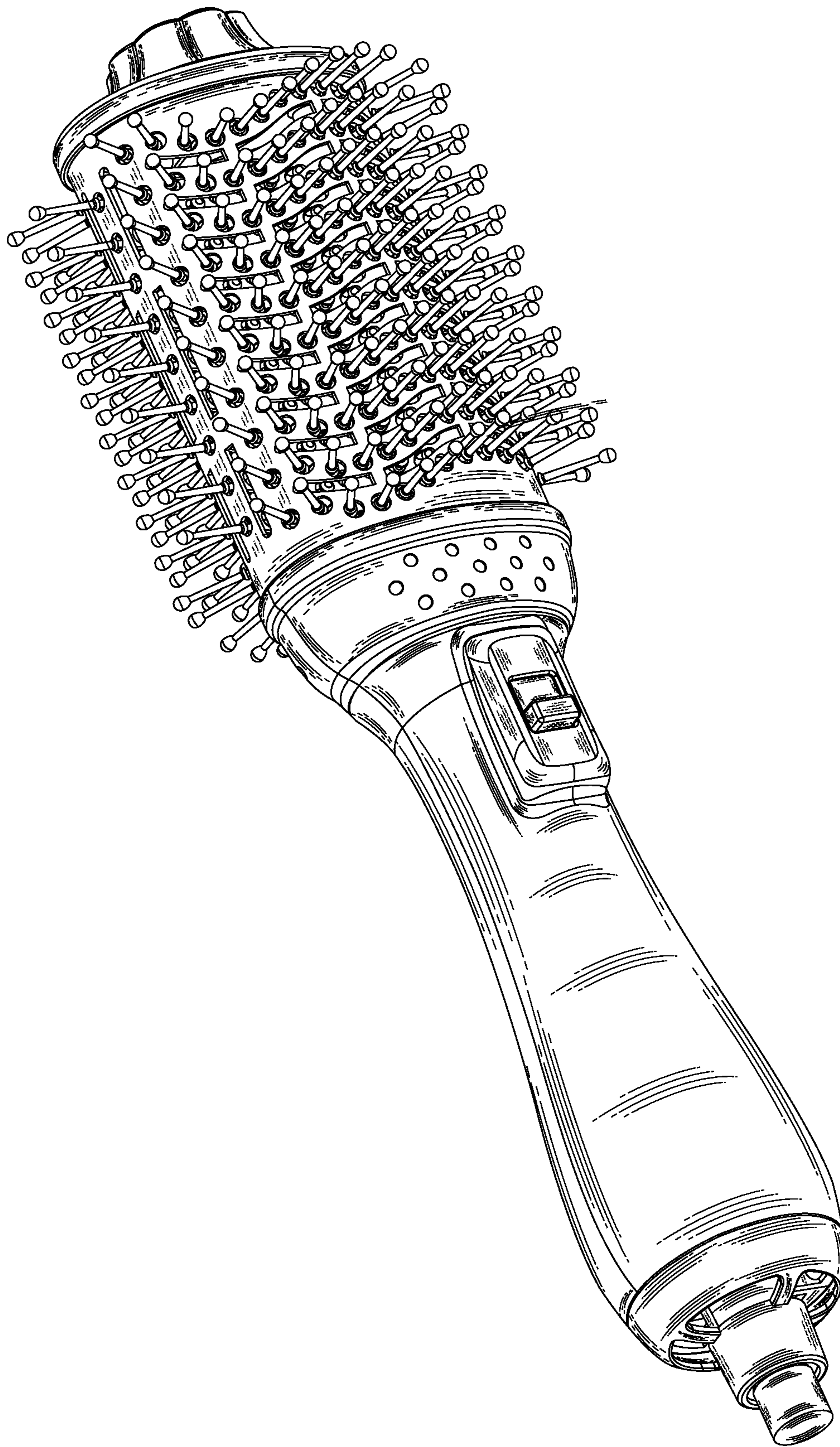


FIG. 1

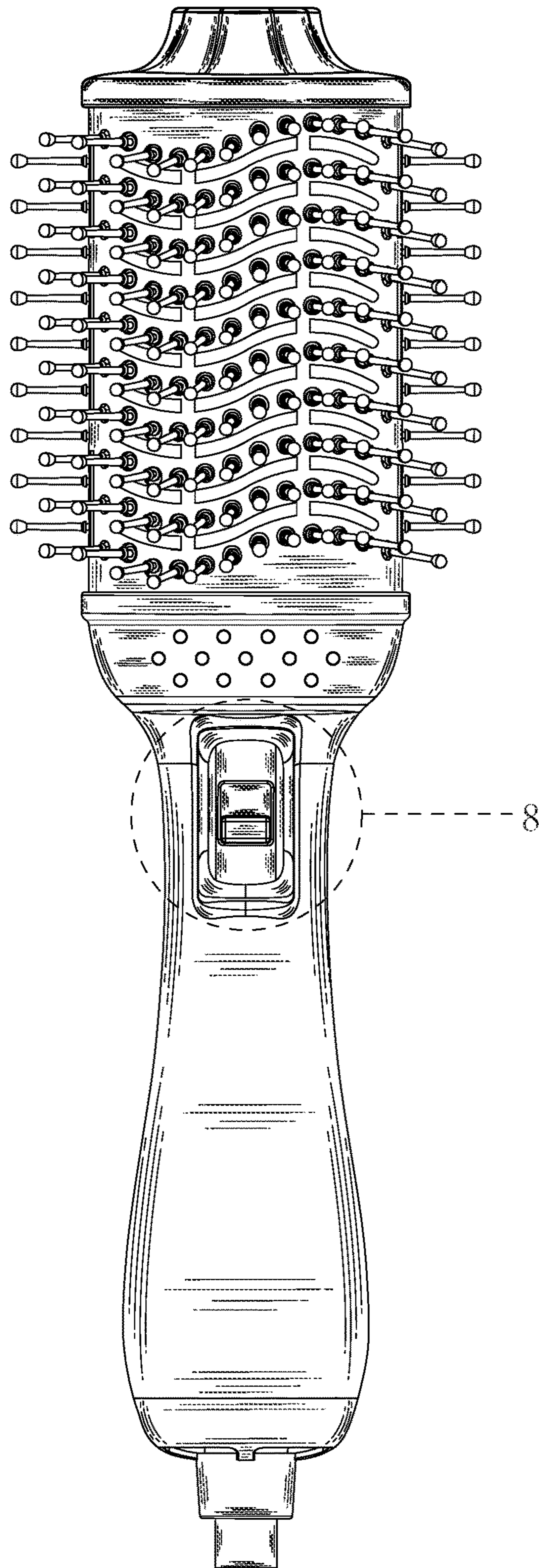


FIG. 2

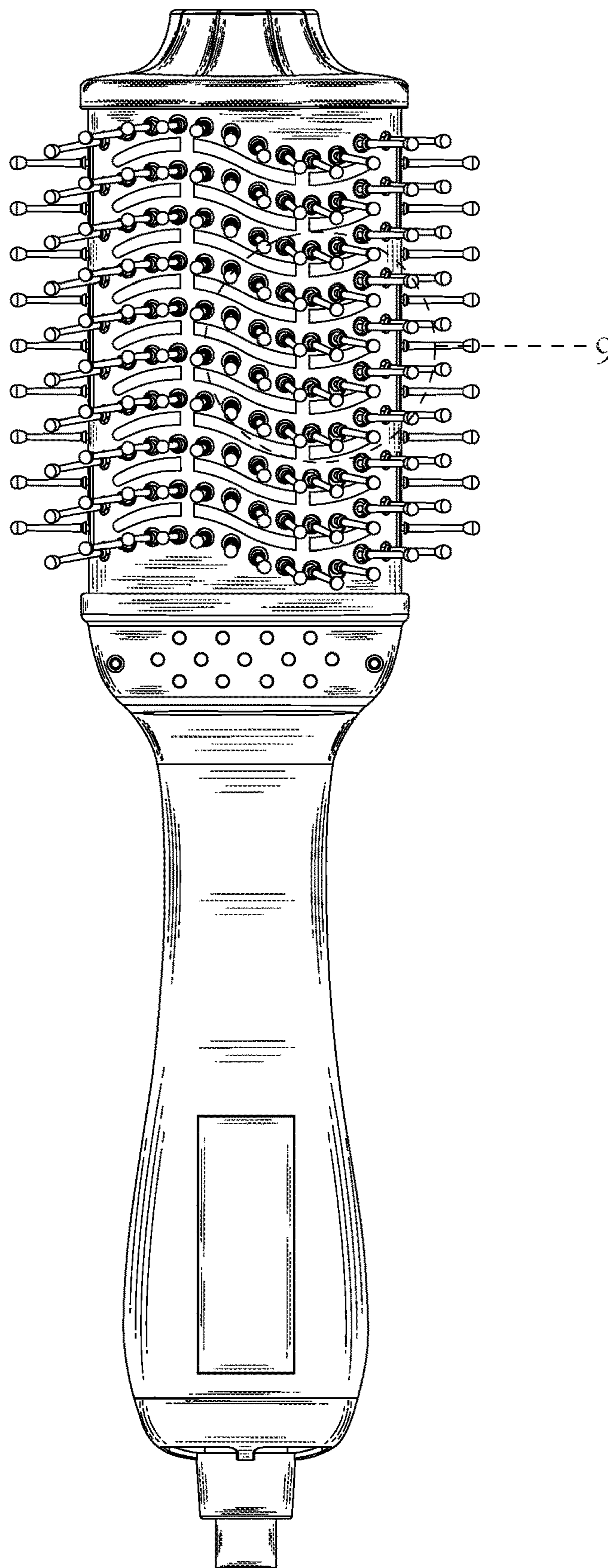


FIG. 3

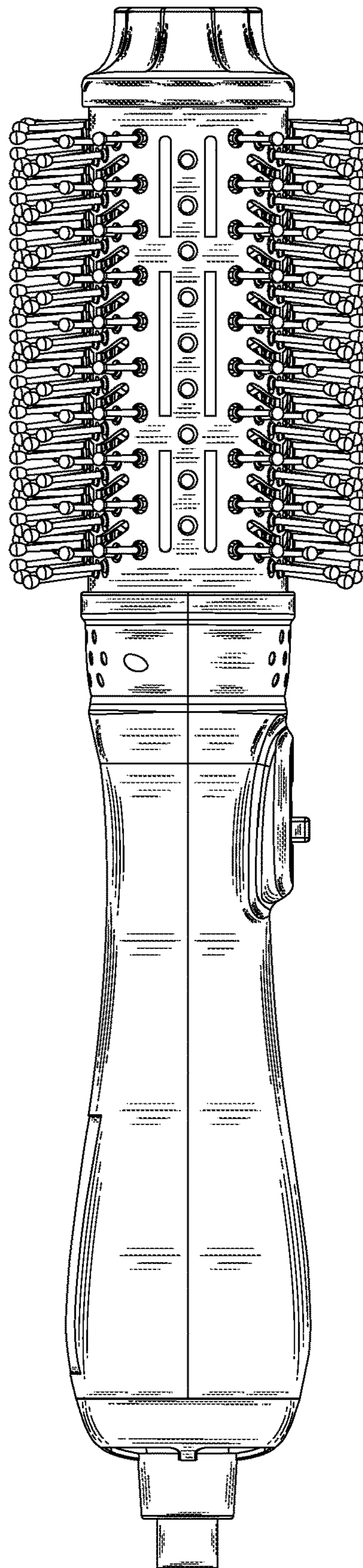


FIG. 4

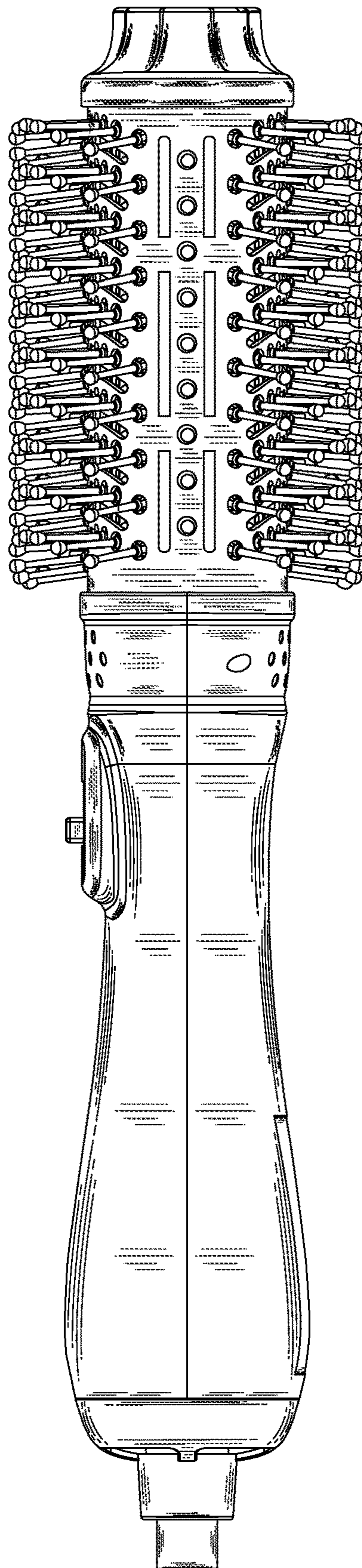


FIG. 5

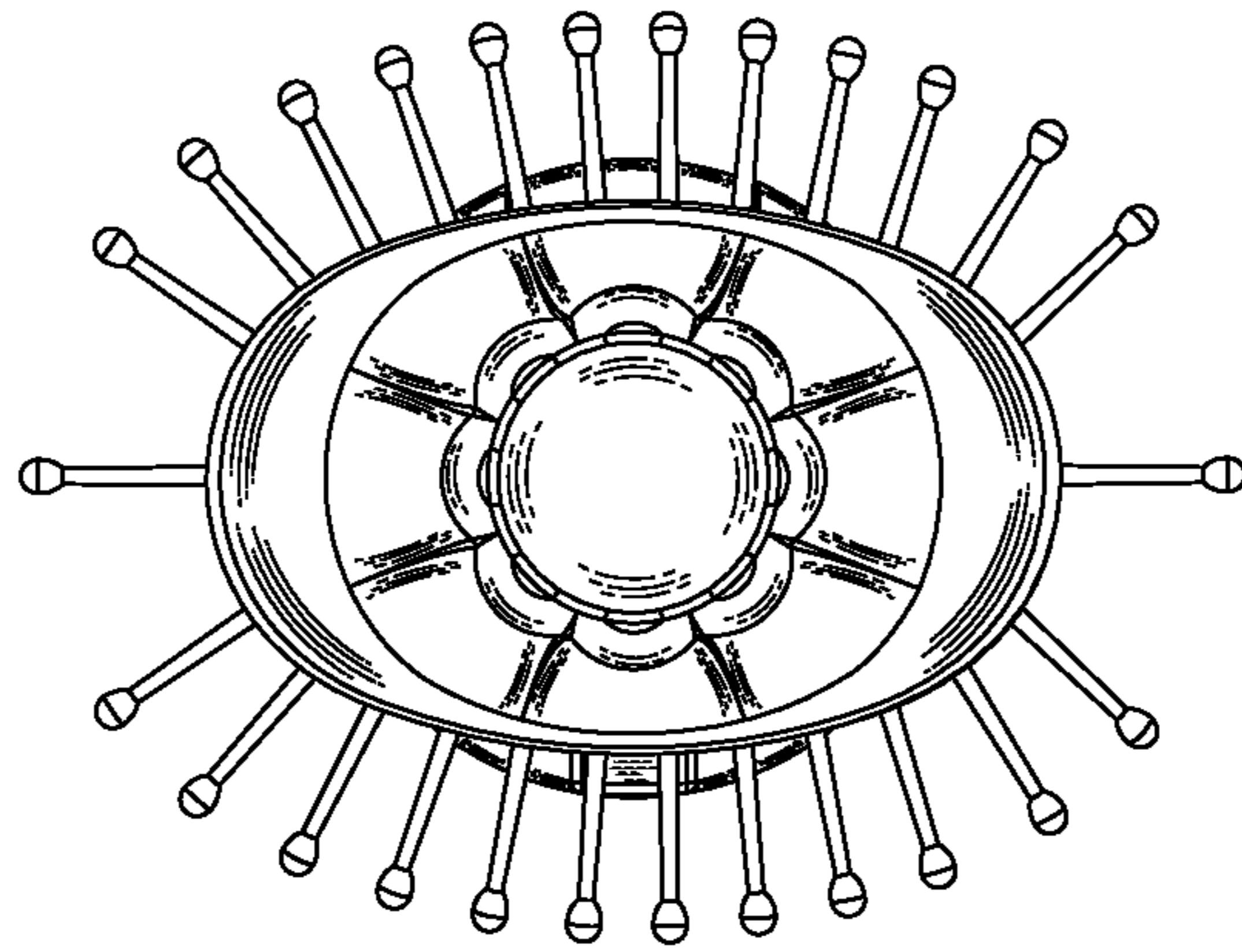


FIG. 6

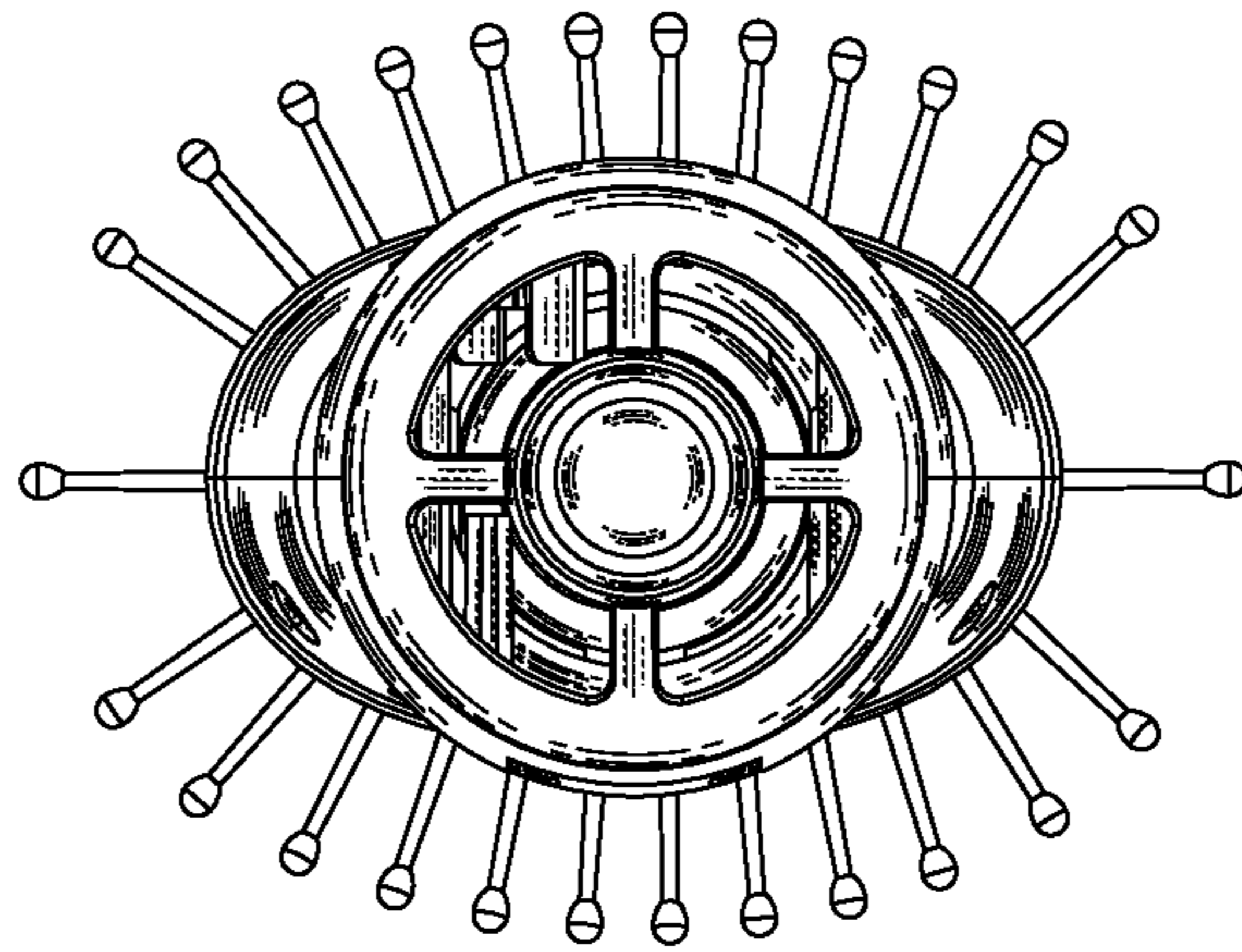


FIG. 7

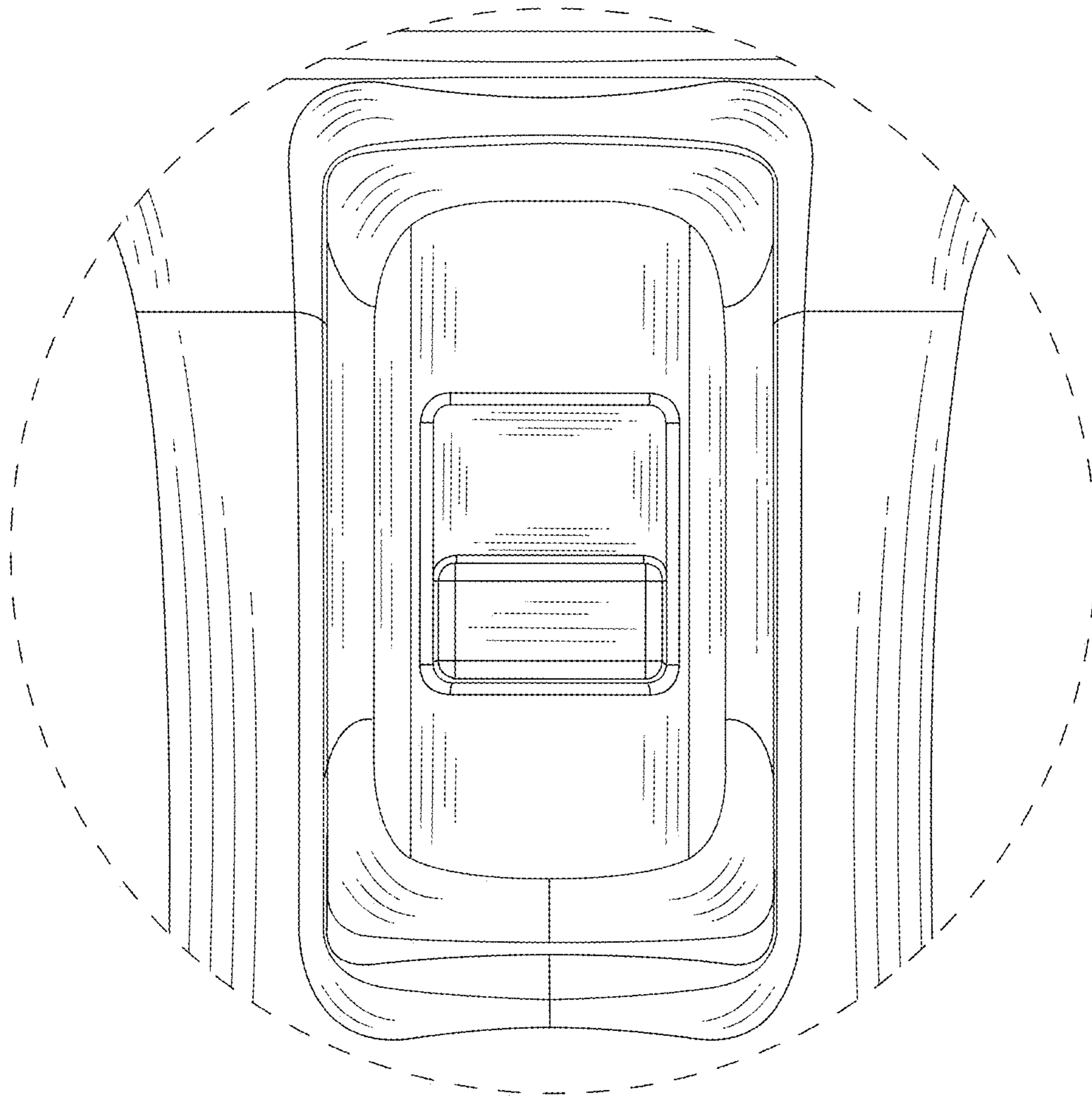


FIG. 8

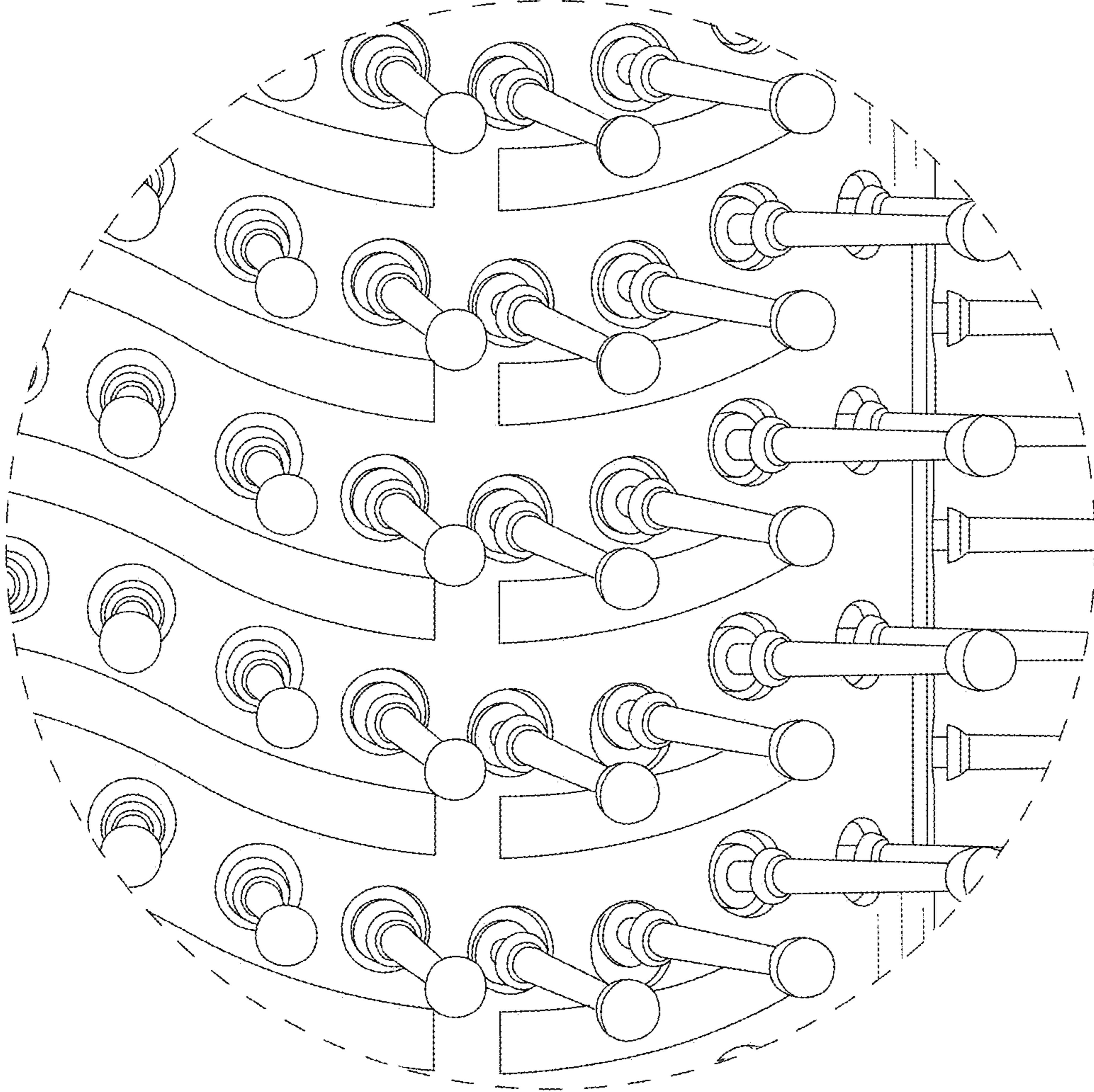


FIG. 9