



US00D942755S

(12) **United States Design Patent** (10) **Patent No.:** **US D942,755 S**
Hsu (45) **Date of Patent:** **** Feb. 8, 2022**

(54) **STORAGE BASKET**

(71) Applicant: **L&F PLASTICS, CO., LTD.**, Miaoli County (TW)
(72) Inventor: **Mu-Chuan Hsu**, Miaoli County (TW)
(73) Assignee: **L&F PLASTICS, CO., LTD.**, Miaoli County (TW)

(**) Term: **15 Years**

(21) Appl. No.: **29/736,005**

(22) Filed: **May 27, 2020**

(51) **LOC (13) Cl.** **03-01**

(52) **U.S. Cl.**
USPC **D3/304**

(58) **Field of Classification Search**

USPC D3/206, 273, 276, 283–284, 293, D3/304–315, 318–319, 321, 901, 903; D6/513–514, 524, 672, 683, 683.1; D7/602, 701, 704; D9/737, 424, 456; D19/75, 81, 83–86, 90–92, 102, 107; D28/73, 76; D32/29.1, 35, 55, 58
CPC A45C 11/20; A45F 2200/05; A45F 2200/0575; A47B 55/00; A47B 55/02; A47F 5/00; A47F 5/005; A47F 5/0025; A47F 5/01; A47F 5/05; A47F 5/13; A47F 5/14; A47F 7/00; A47F 7/0071; A47F 7/0078; A47F 7/02; A47G 19/02; A47G 19/025; A47G 21/14; A47G 23/06; A47G 29/08; A47J 27/16; A47J 47/00; A47J 47/01; A47J 47/16; B25H 3/006; B65D 1/00; B65D 1/0223; B65D 1/22; B65D 1/24; B65D 1/26; B65D 1/34; B65D 1/36; B65D 1/38; B65D 1/40; B65D 7/14; B65D 7/20; B65D 21/00; B65D 21/0209; B65D 21/0211; B65D 21/0233; B65D 25/04; B65D 25/22; B65D 2581/34; B65D 81/3453; B65D 81/3813; B65D 85/50; B65D 85/505; B65D 85/52

See application file for complete search history.

(56) **References Cited**

U.S. PATENT DOCUMENTS

D468,773 S * 1/2003 Bodum D19/86
D530,920 S * 10/2006 Snell D3/304
D547,064 S * 7/2007 Snell D3/304
D555,904 S * 11/2007 Snell D3/304
D591,510 S * 5/2009 Auer D3/304

(Continued)

OTHER PUBLICATIONS

Large wheel cart three floors, unknown first available date, keyway.com [online], [site visited Jun. 11, 2021], Available at internet URL: http://www.keyway.com.tw/content/product/pro_cont.aspx?SiteID=1&MSid=711725301401612134&SID=1037160025456157413 (Year: 2021).*

(Continued)

Primary Examiner — Jeffrey D Asch

Assistant Examiner — Caitlin A Laverty

(74) *Attorney, Agent, or Firm* — Karin L. Williams; Alan D. Kamrath; Mayer & Williams PC

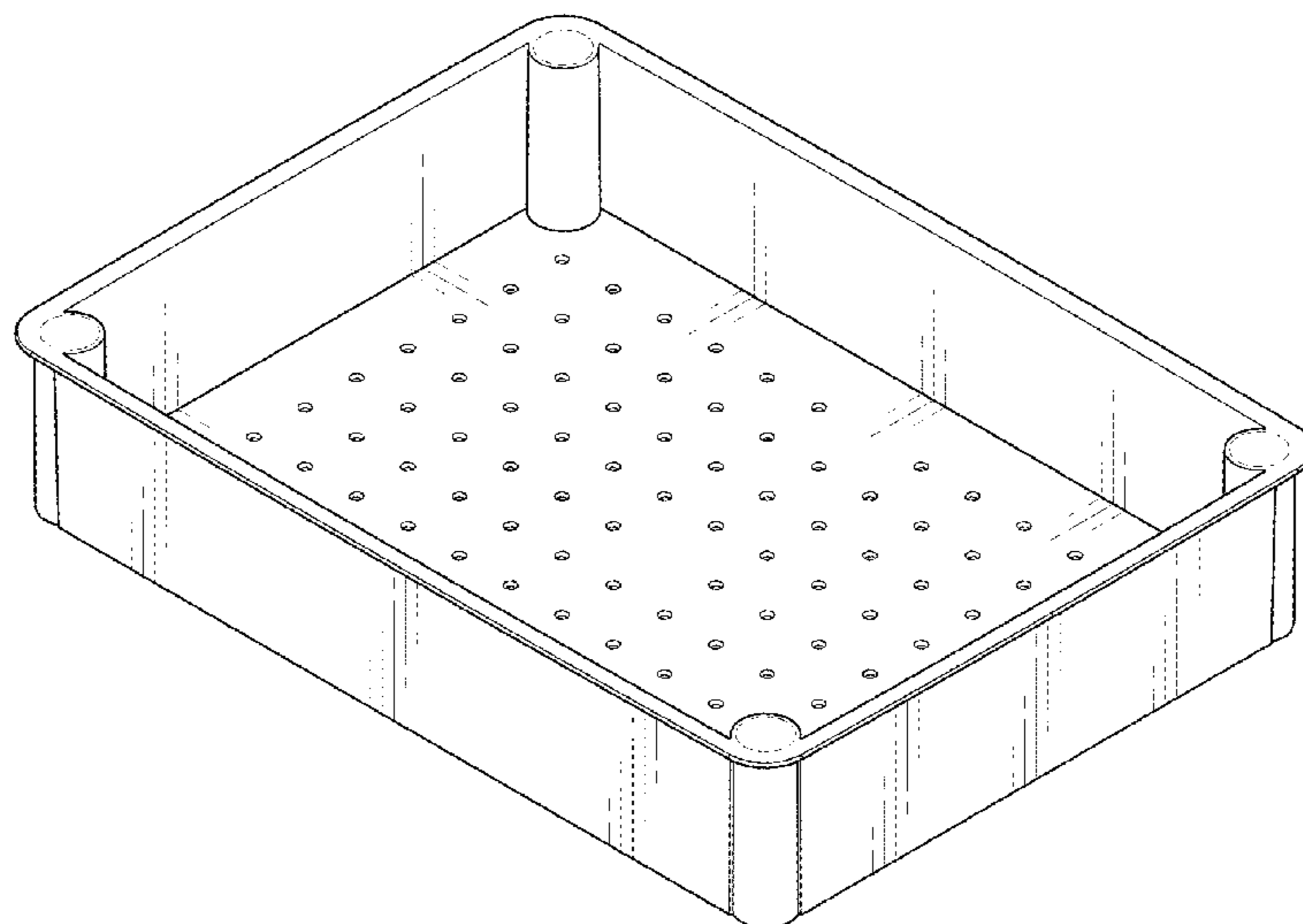
(57) **CLAIM**

I claim the ornamental design for a storage basket, substantially as shown and described.

DESCRIPTION

FIG. 1 is a perspective view of a storage basket showing my new design;
FIG. 2 is a front view thereof, and its rear view is the same as the front view;
FIG. 3 is a left side view thereof, and its right side view is the same as the left side view;
FIG. 4 is a top view thereof; and,
FIG. 5 is a bottom view thereof.
The dashed broken lines in the figures show portions of the storage basket that form no part of the claimed design.

1 Claim, 4 Drawing Sheets



(56)

References Cited

U.S. PATENT DOCUMENTS

D689,946 S *	9/2013	Hu	D19/92
D712,148 S *	9/2014	Ghiorgie	D3/304
D713,146 S *	9/2014	Ghiorgie	D3/304
D750,892 S *	3/2016	Rego	D3/305
D804,235 S *	12/2017	Affatato	D7/354
D809,797 S *	2/2018	Kraemer	D3/307
D876,836 S *	3/2020	Stevens	D3/313
D891,778 S *	8/2020	Stevens	D3/304
D922,073 S *	6/2021	Dittrich	D3/314
2016/0120313 A1 *	5/2016	Tang	A47B 47/0091 211/134

OTHER PUBLICATIONS

Storage Cart Drainage Design . . . , unknown first available date, walmart.com [online], [site visited Jun. 11, 2021], Available at internet URL: <https://www.walmart.com/ip/Storage-Cart-Drainage-Design-Rolling-Cart-Stable-Adjustable-Storage-Trolley-White-4-Layer-36-2x15-75x5-1-Inch/393845455> (Year: 2021).*

3 Tiers Plastic Basket . . . , unknown first available date, alunotec.en [online], [site visited Jun. 11, 2021], Available at internet URL: <https://alunotec.en.made-in-china.com/product/jwSnKXiJLgkV/China-3-Tiers-Plastic-Basket-Utility-Moveable-Trolley-Home-Shelf-Kitchen-Rolling-Storage-Cart.html> (Year: 2021).*

* cited by examiner

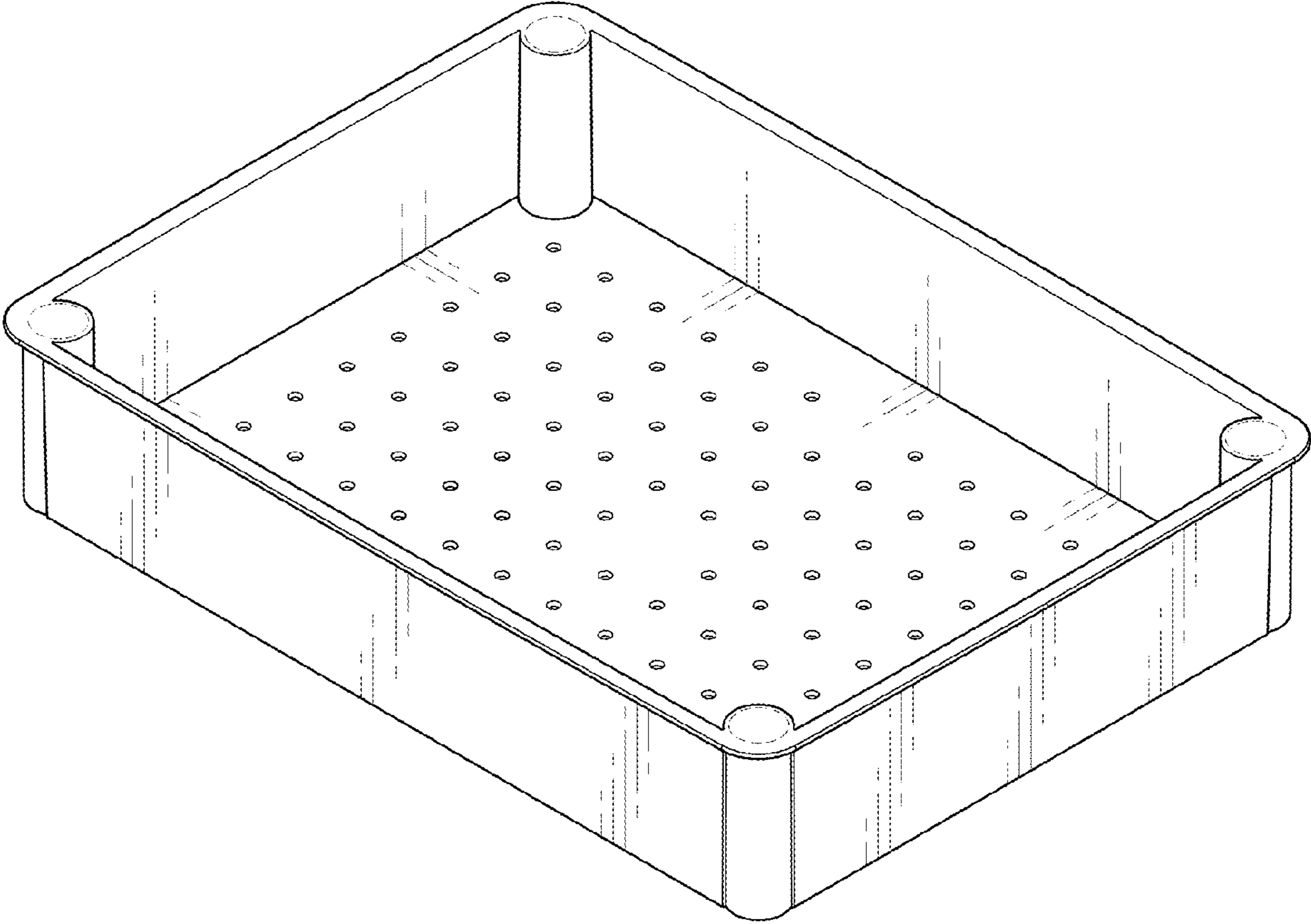


FIG. 1

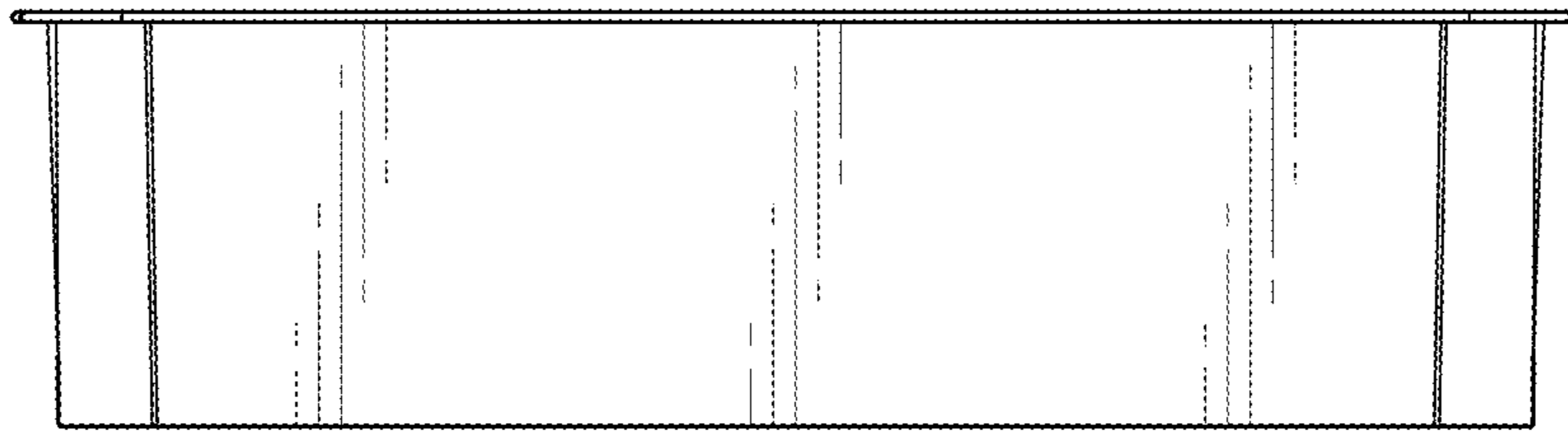


FIG. 2

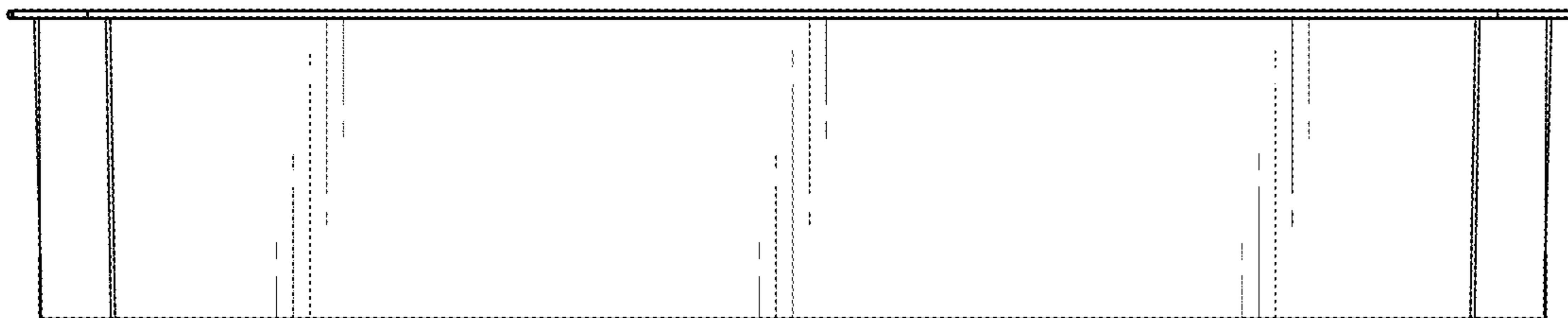


FIG. 3

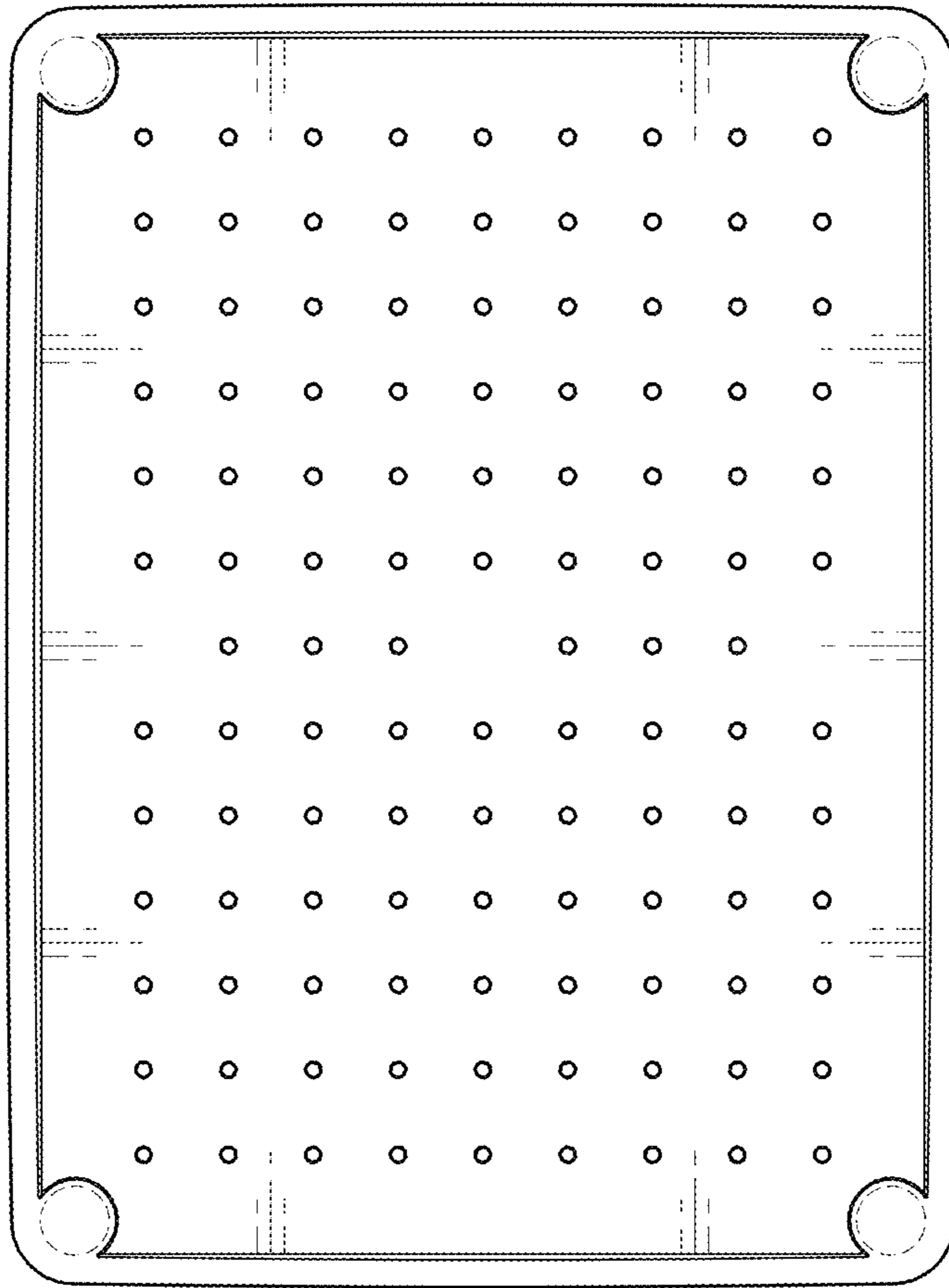


FIG. 4

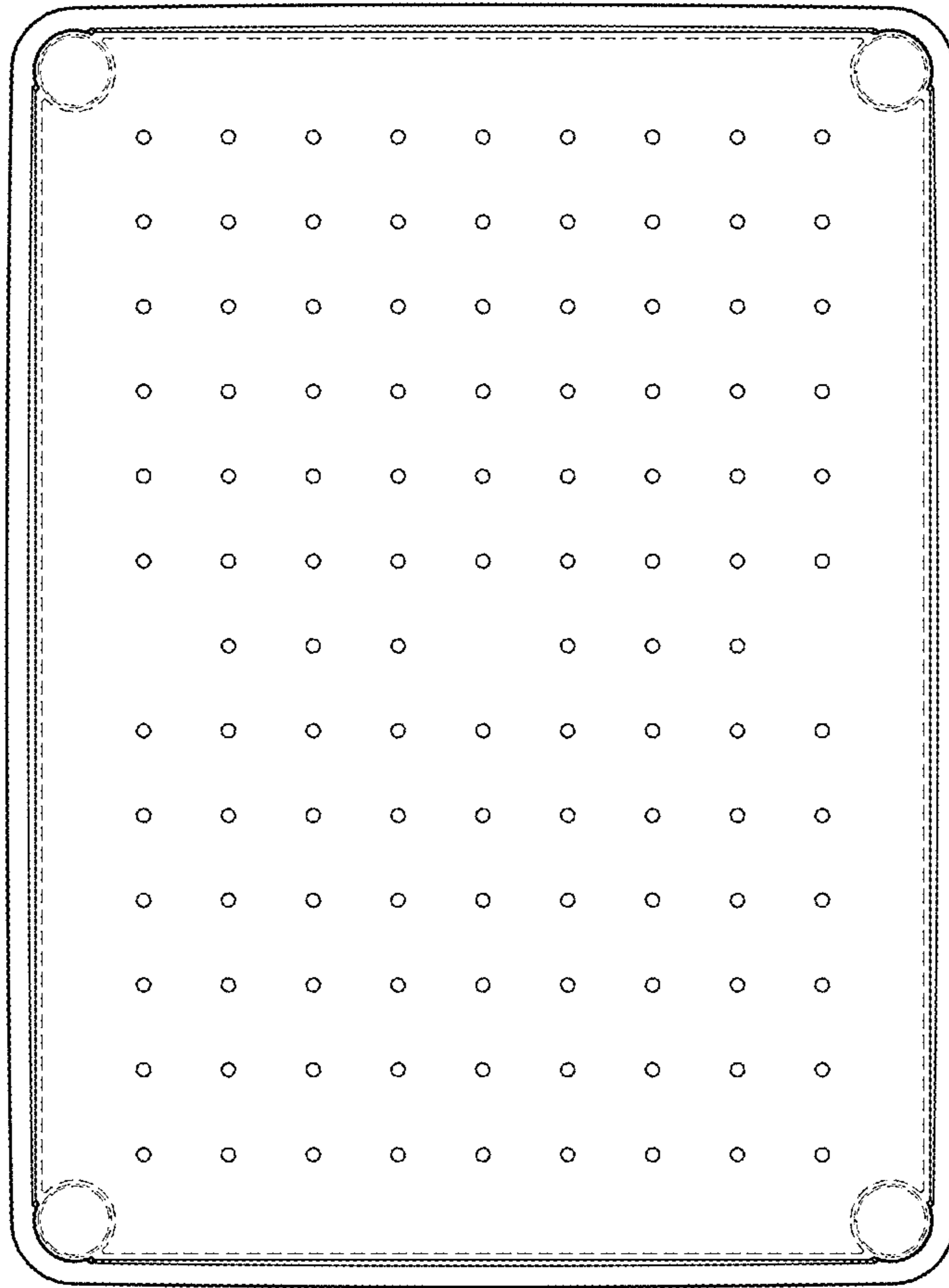


FIG. 5