



US00D942750S

(12) **United States Design Patent** (10) **Patent No.:** **US D942,750 S**
Natarajan et al. (45) **Date of Patent:** **** Feb. 8, 2022**

(54) **SMART HEALTH MANAGEMENT DEVICE**
(71) Applicant: **CueMed Inc.**, Redmond, WA (US)
(72) Inventors: **Sripriya Komarlingam Natarajan**,
Redmond, WA (US); **Leonard George**,
Redmond, WA (US)
(73) Assignee: **CUEMED INC.**, Redmond, WA (US)
(**) Term: **15 Years**
(21) Appl. No.: **29/747,253**
(22) Filed: **Aug. 20, 2020**

D518,369 S * 4/2006 Haber B44D 3/122
D9/424
D519,027 S * 4/2006 Haber D9/424
D559,110 S * 1/2008 Marx D9/529
D607,878 S * 1/2010 Murray D14/216
D675,304 S * 1/2013 Valentino D23/366
8,381,932 B2 * 2/2013 Wagner B44D 3/122
220/23.88
D692,413 S * 10/2013 Holzer D14/216
D693,688 S * 11/2013 Russell D9/504
D708,434 S * 7/2014 Deeb D3/203.3
D729,067 S * 5/2015 Behar D9/529
D729,577 S * 5/2015 Dirks D7/507
D733,967 S * 7/2015 Schlatter D28/88
D760,087 S * 6/2016 Dittmer D9/556
D776,524 S * 1/2017 Albano D9/428
D778,173 S * 2/2017 Pisarevsky D9/719
D786,679 S * 5/2017 Barroso Miana D9/504

(Continued)

Related U.S. Application Data

(62) Division of application No. 29/645,430, filed on Apr. 26, 2018, now Pat. No. Des. 896,500.
(51) **LOC (13) Cl.** **03-01**
(52) **U.S. Cl.**
USPC **D3/203.1**
(58) **Field of Classification Search**
USPC D3/201, 203.1, 203.2, 203.3, 273, 274,
D3/280; D9/414, 426, 428; D14/204,
D14/215, 216
CPC A61J 1/00; A61J 1/03; A61J 1/16; A61J
1/14; A61J 1/1412; B65D 1/09; B65D
2585/56; B65D 83/04; B65D 83/0445;
H04R 1/02; H04R 5/02; H04R 9/06
See application file for complete search history.

Primary Examiner — Steven J Czyz

(74) *Attorney, Agent, or Firm* — Wilson Sonsini Goodrich & Rosati

(57) **CLAIM**

The ornamental design for a smart health management device, as shown and described.

DESCRIPTION

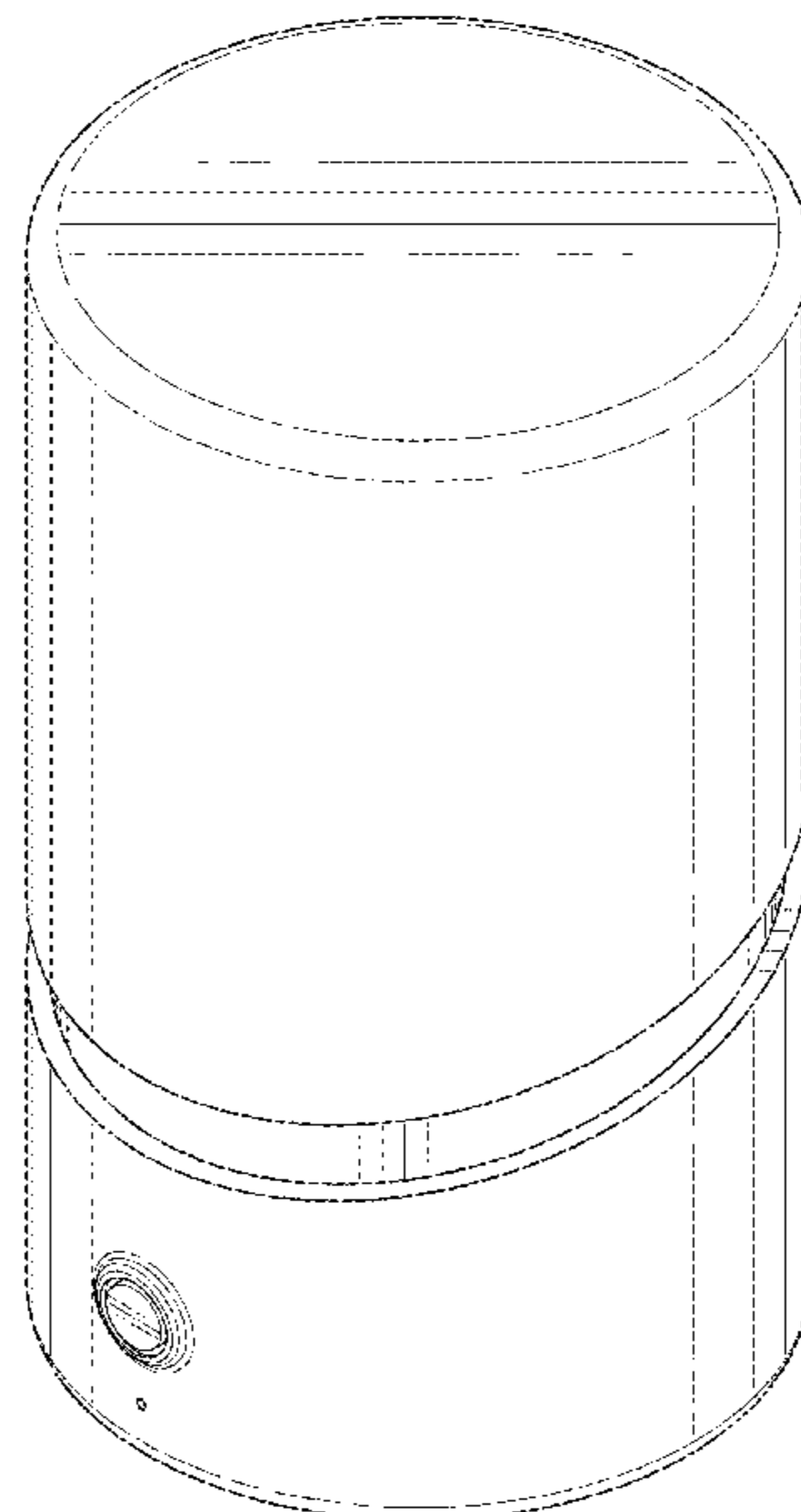
FIG. 1 is an isometric view of a smart health management device;
FIG. 2 is a front view thereof;
FIG. 3 is a rear view thereof;
FIG. 4 is a right side view thereof;
FIG. 5 is a left side view thereof;
FIG. 6 is a top view thereof;
FIG. 7 is a bottom view thereof; and,
FIG. 8 is a perspective view of smart health management device, shown in an open state and in use with environment. The broken lines depict portions of the article that form no part of the claimed design.

(56) **References Cited**

U.S. PATENT DOCUMENTS

D274,040 S * 5/1984 Ridgley D3/203.3
D279,621 S * 7/1985 Richer D19/75
D354,909 S * 1/1995 Blanche D7/596
D466,814 S * 12/2002 Hurlburt D9/504
D499,552 S * 12/2004 Nissanoff D3/273

1 Claim, 8 Drawing Sheets



(56)

References Cited

U.S. PATENT DOCUMENTS

9,740,828	B2 *	8/2017	Chu	G01F 22/00
D810,265	S *	2/2018	Chen	D23/366
D812,427	S *	3/2018	Barber	D7/510
D821,738	S *	7/2018	Small	D3/203.2
D826,055	S *	8/2018	Augustyniak	D9/504
D833,414	S *	11/2018	Brennan	D14/204
D835,600	S *	12/2018	Weiss	D14/204
D840,013	S *	2/2019	Zhang	D23/366
D848,394	S *	5/2019	Demin	D14/204
D849,543	S *	5/2019	Augustyniak	D9/504
D850,781	S *	6/2019	Danopoulos	D3/203.1
D852,318	S *	6/2019	Lin	D23/207
D878,528	S *	3/2020	Fu	D23/356
D881,367	S *	4/2020	Kihm	D23/366
D886,978	S *	6/2020	Jo	D23/366
D915,575	S *	4/2021	Chen	D23/366
D917,292	S *	4/2021	Blomberg	D9/504

* cited by examiner

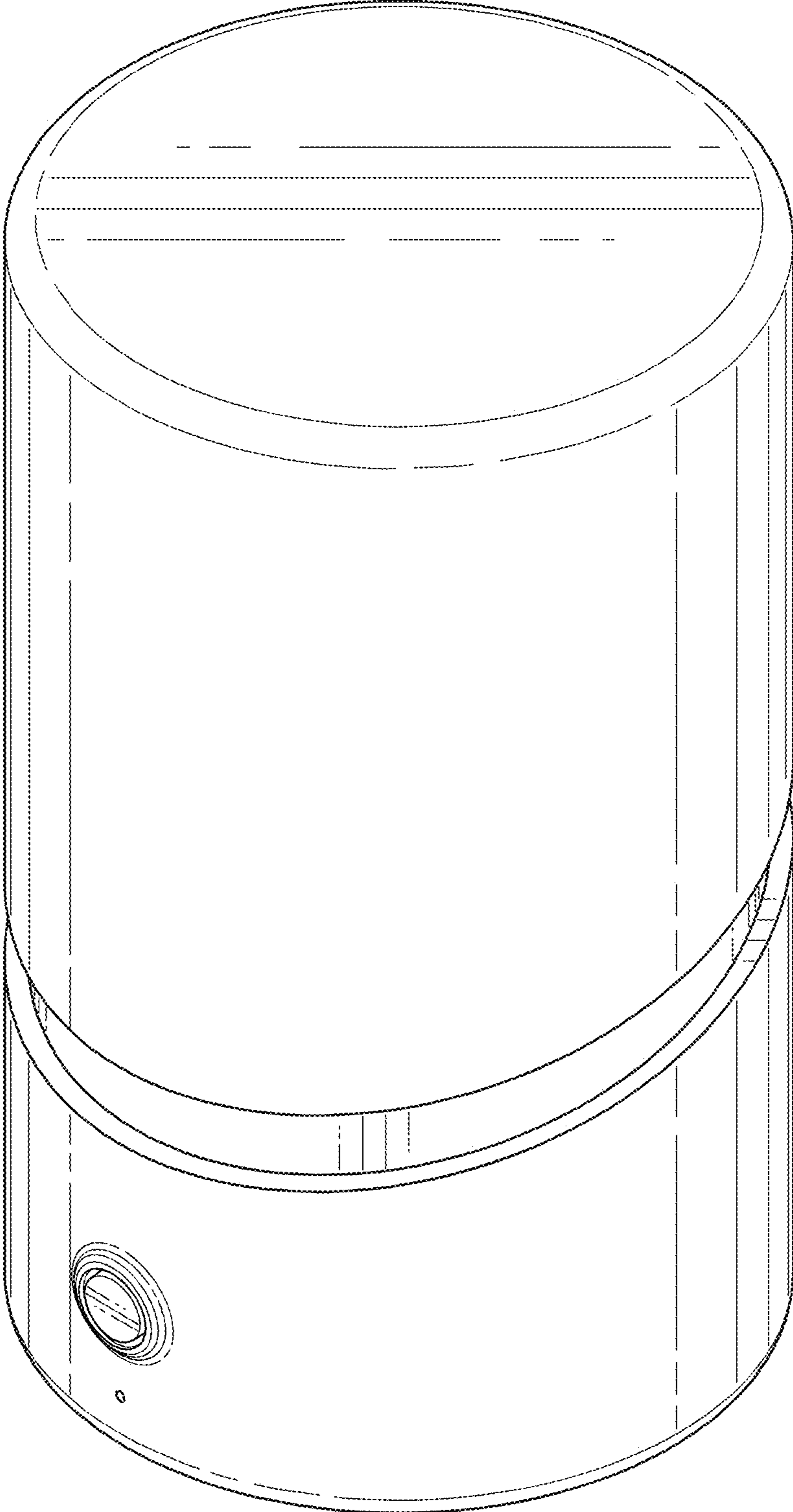


FIG. 1

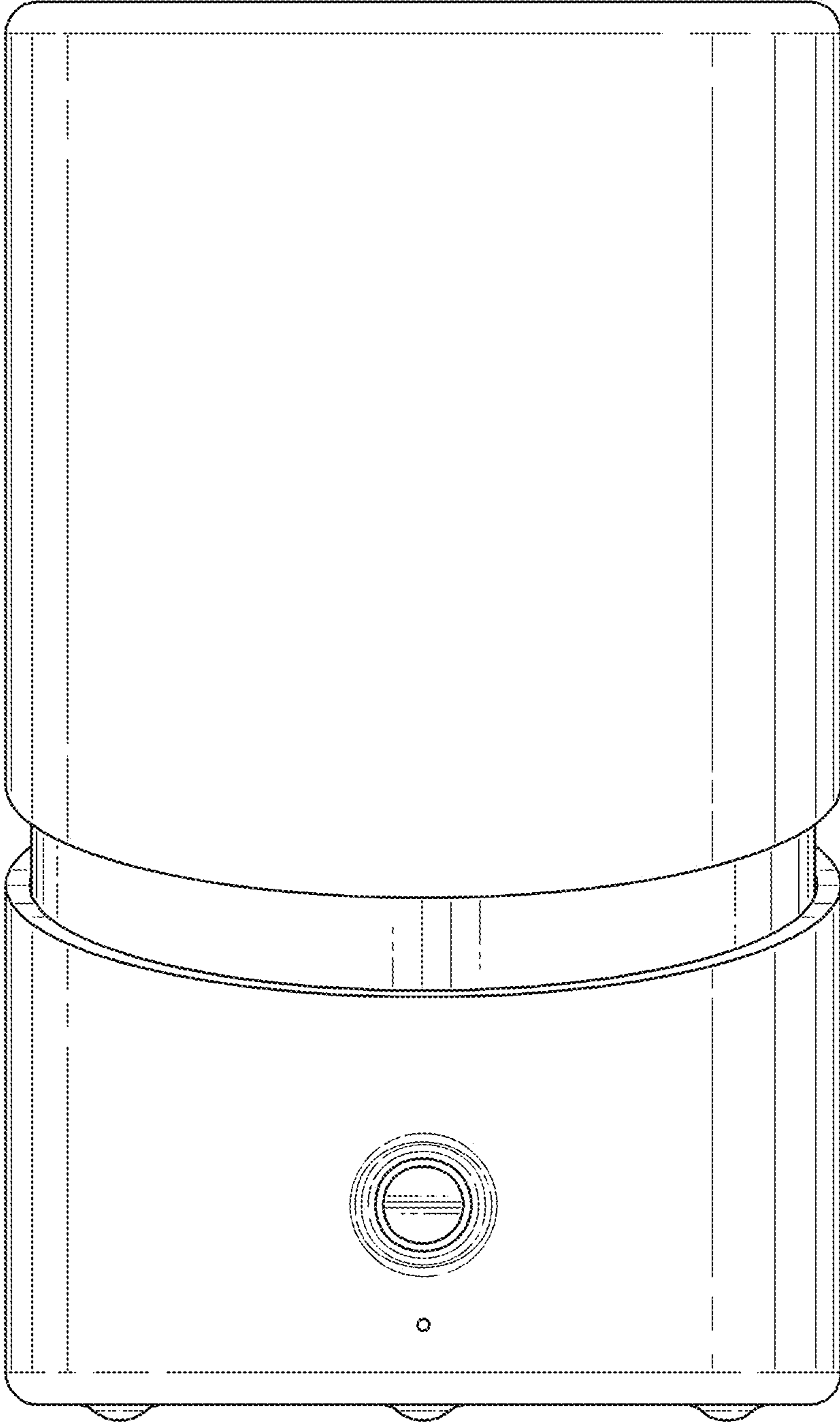


FIG. 2

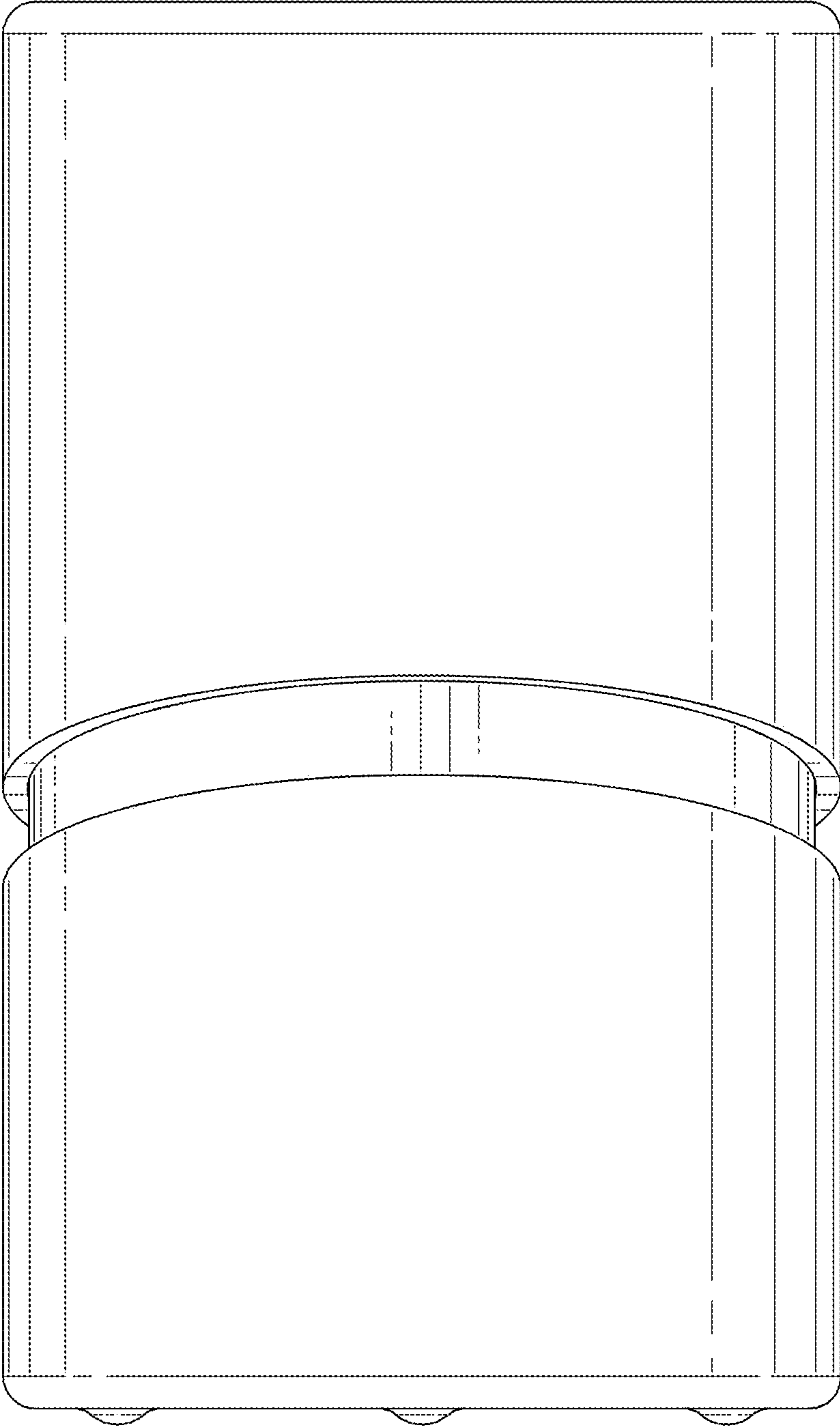


FIG. 3

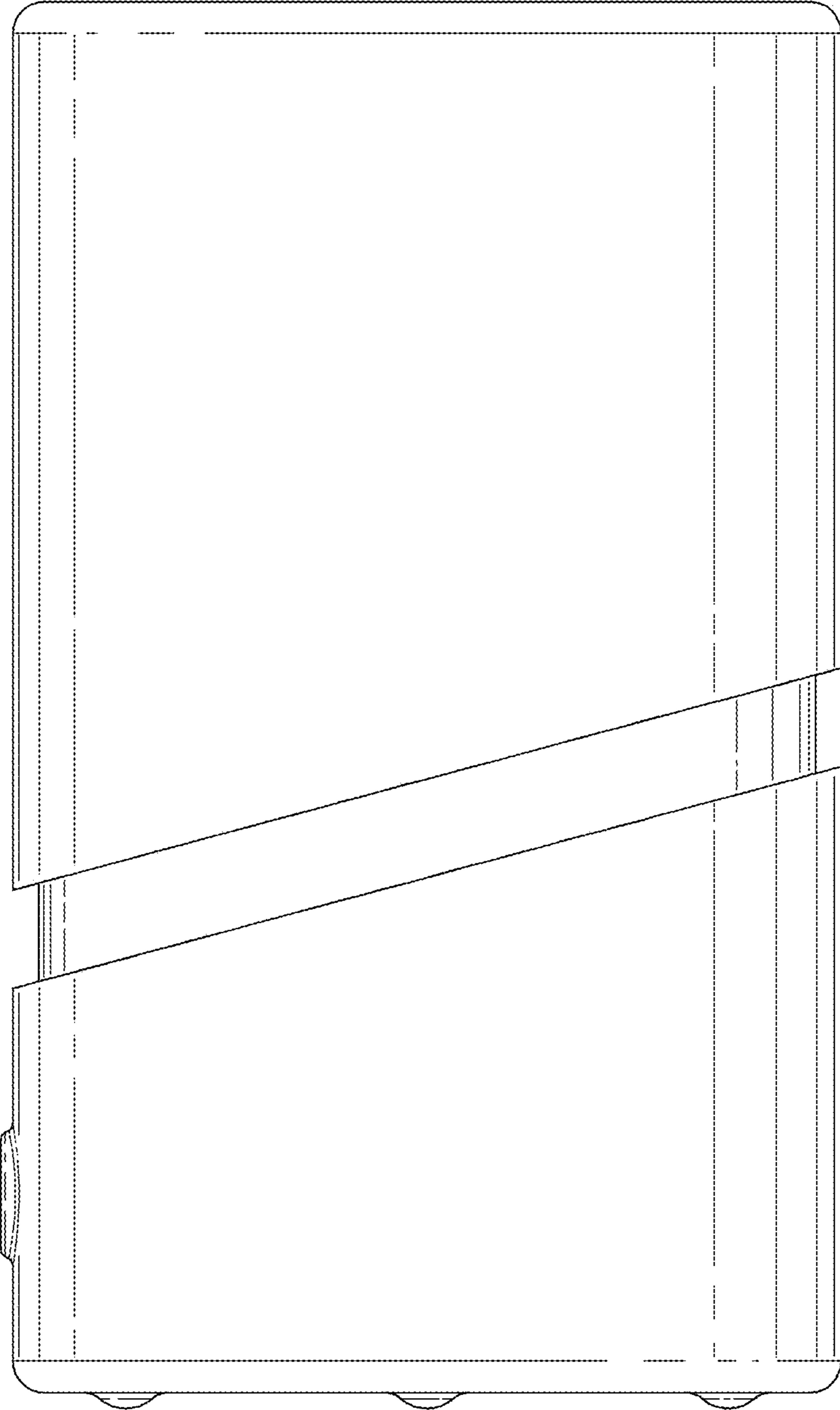


FIG. 4

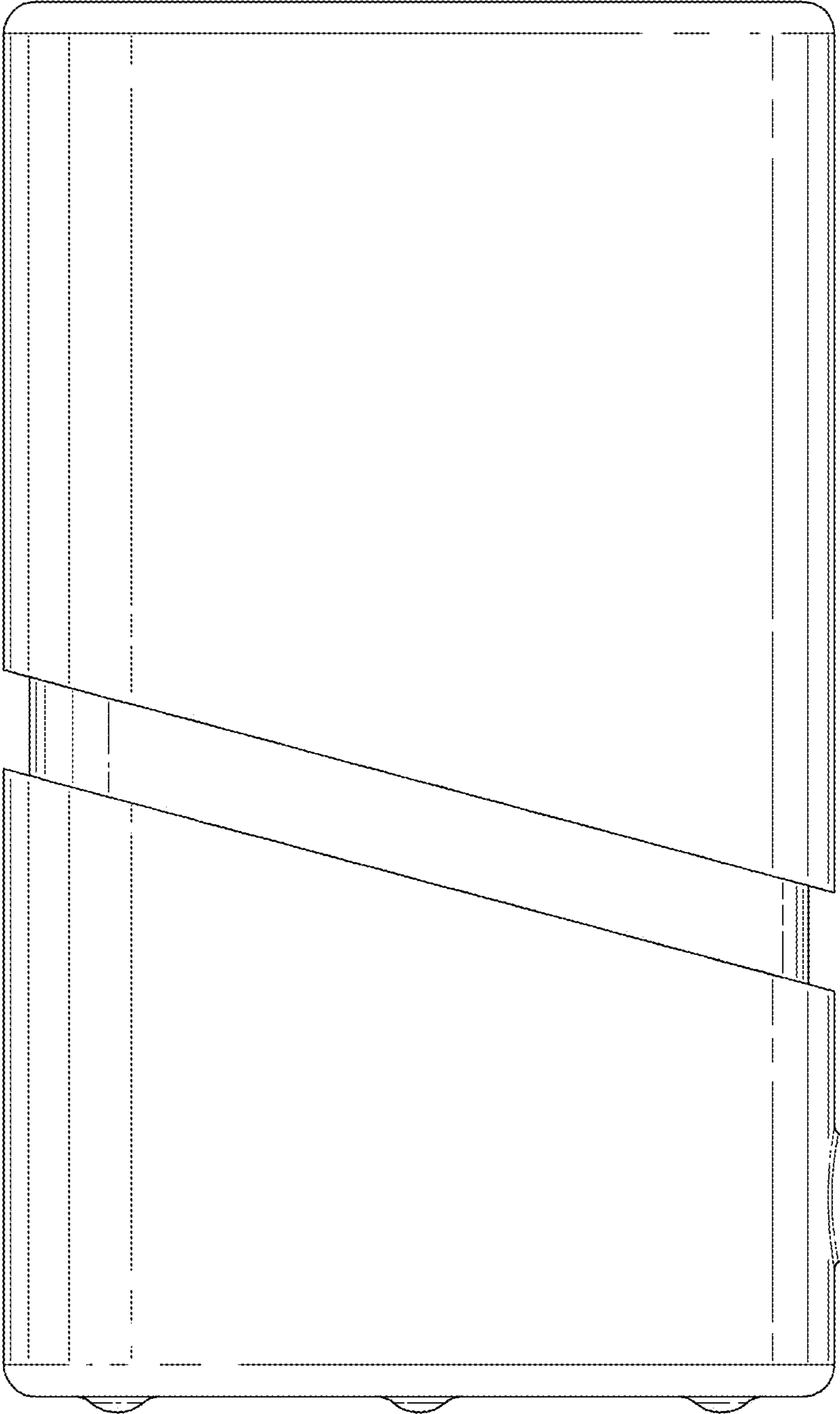


FIG. 5

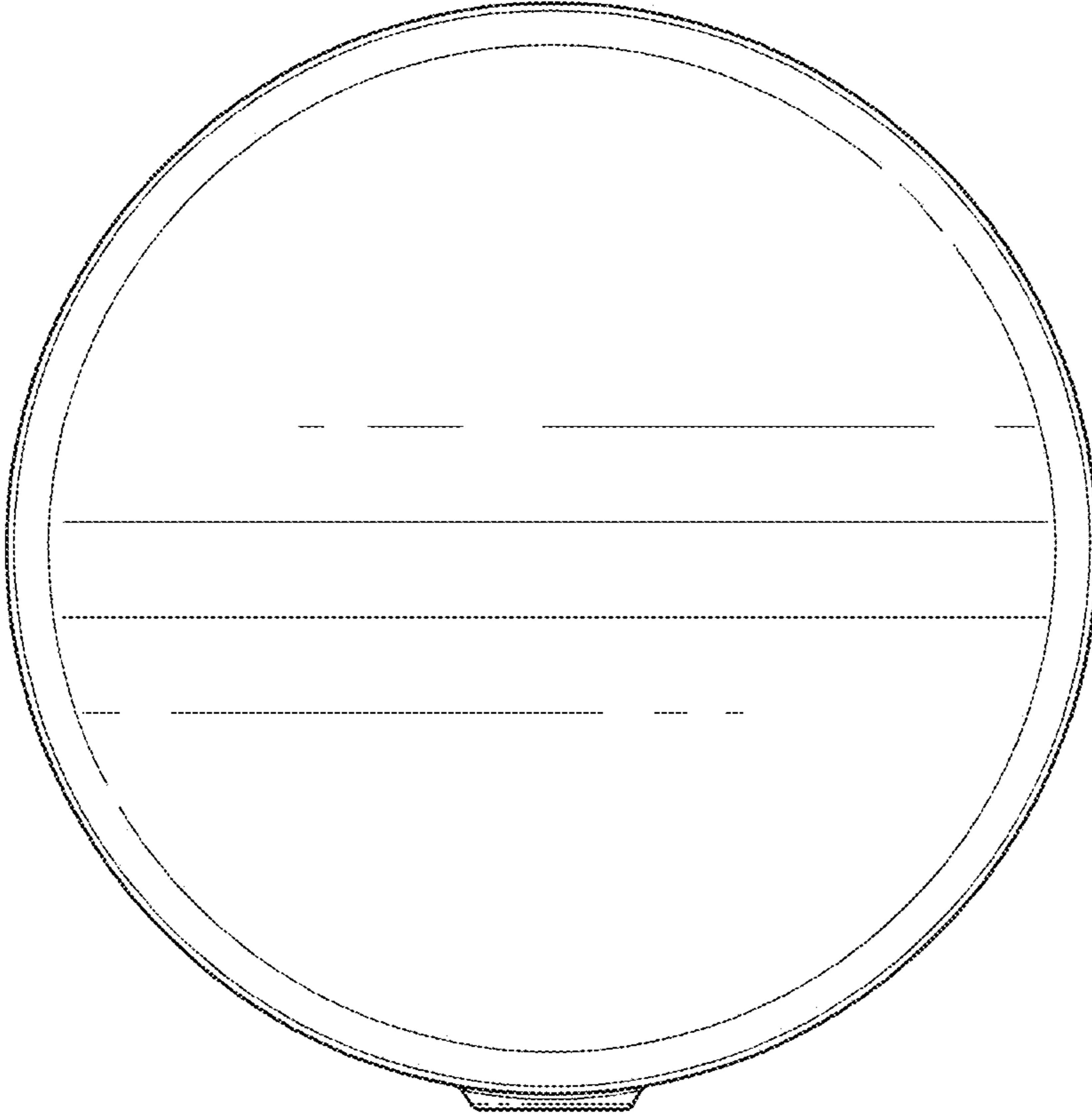


FIG. 6

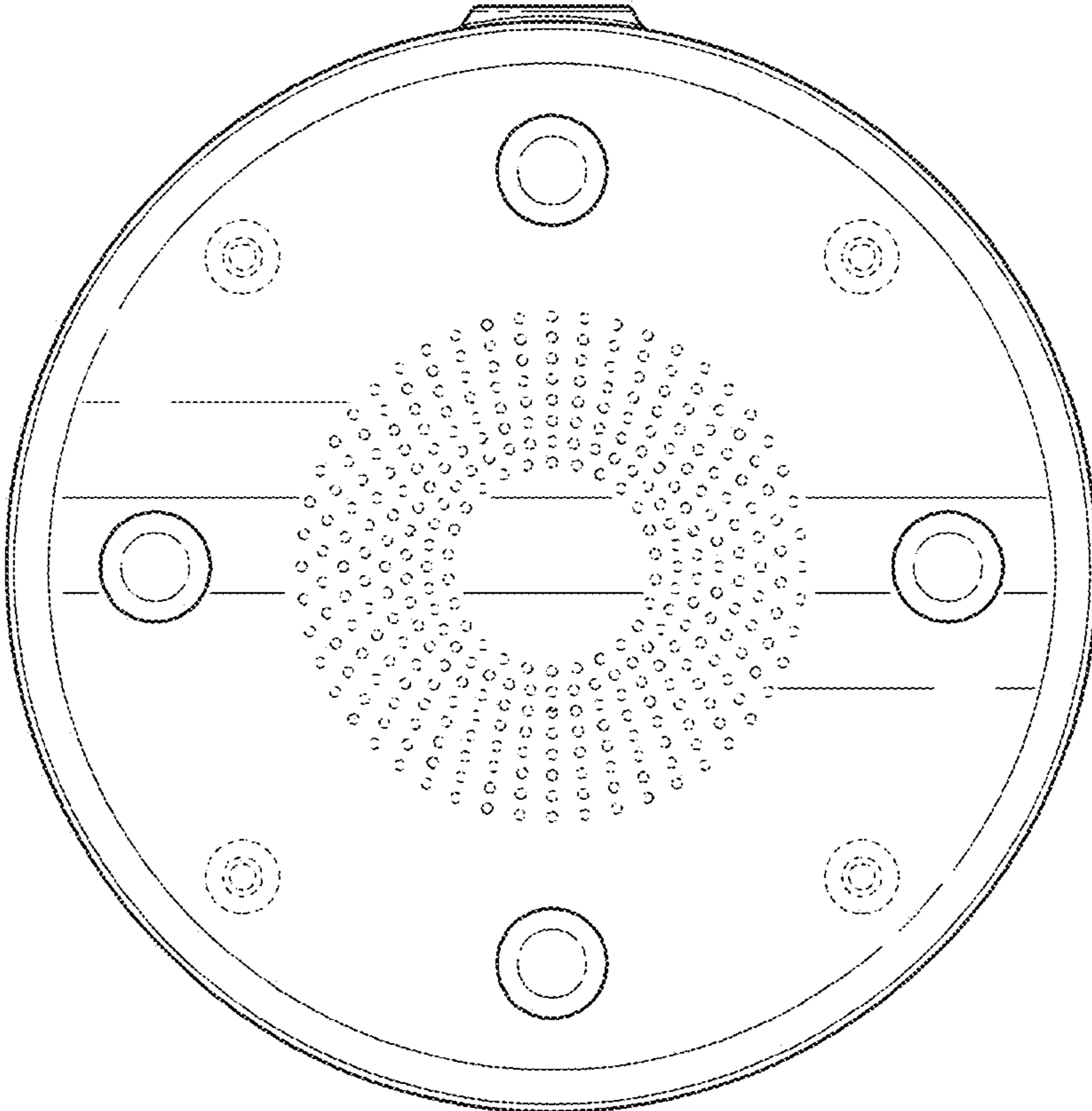


FIG. 7

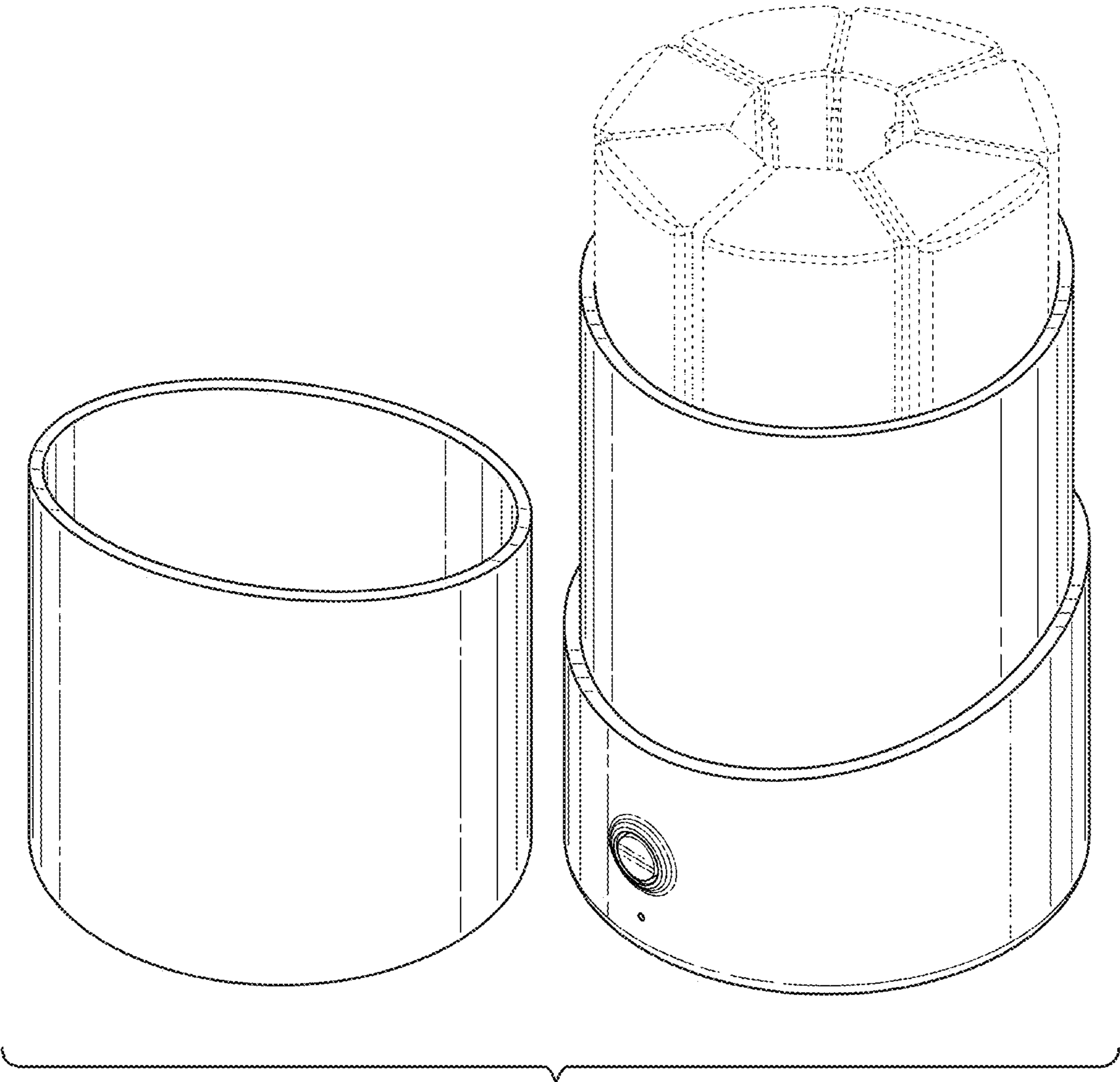


FIG. 8