



US00D942744S

(12) **United States Design Patent**
Lin et al.

(10) **Patent No.:** **US D942,744 S**
(45) **Date of Patent:** **** Feb. 8, 2022**

(54) **SANDAL**

(71) Applicant: **ROTHY'S, INC.**, San Francisco, CA (US)

(72) Inventors: **Yen-Hung Lin**, San Francisco, CA (US); **La Vion Gibson**, San Francisco, CA (US); **William Roth Martin**, San Francisco, CA (US)

(73) Assignee: **ROTHY'S, INC.**, San Francisco, CA (US)

(**) Term: **15 Years**

(21) Appl. No.: **29/736,551**

(22) Filed: **Jun. 1, 2020**

(51) **LOC (13) Cl.** **02-04**

(52) **U.S. Cl.**
USPC **D2/916**

(58) **Field of Classification Search**
USPC D2/896-900, 916-918, 925-943, 969, D2/971

(Continued)

(56) **References Cited**

U.S. PATENT DOCUMENTS

4,095,353 A * 6/1978 Foldes A43B 7/146
36/11.5
D250,738 S * 1/1979 Foldes A43B 7/146
D2/916

(Continued)

OTHER PUBLICATIONS

Cole Haan, Men's Feathercraft Slide Sandal, Style #C30863, © 2020 Cole Haan, Retrieved on Jun. 1, 2020, (5 Pages Total) Retrieved from URL: https://www.colehaan.com/feathercraft-slide-sandal-black/192004668888.htmlsrc=googleshopping&glCountry=US&glCurrency=USD&utm_source=google&utm_medium=cpc&utm_campaign=cp_pla_brand&gclid=Cj0KCQjwwr32BRD4ARIsAAJNf_

0oedhbetPcnokRZfwwfFjDzV4ck0pXI49ndKigYgC-N4IE6am5QVcaAqTNEALw_wcB.

Primary Examiner — Rashida C. Walshon

(74) *Attorney, Agent, or Firm* — Arent Fox LLP

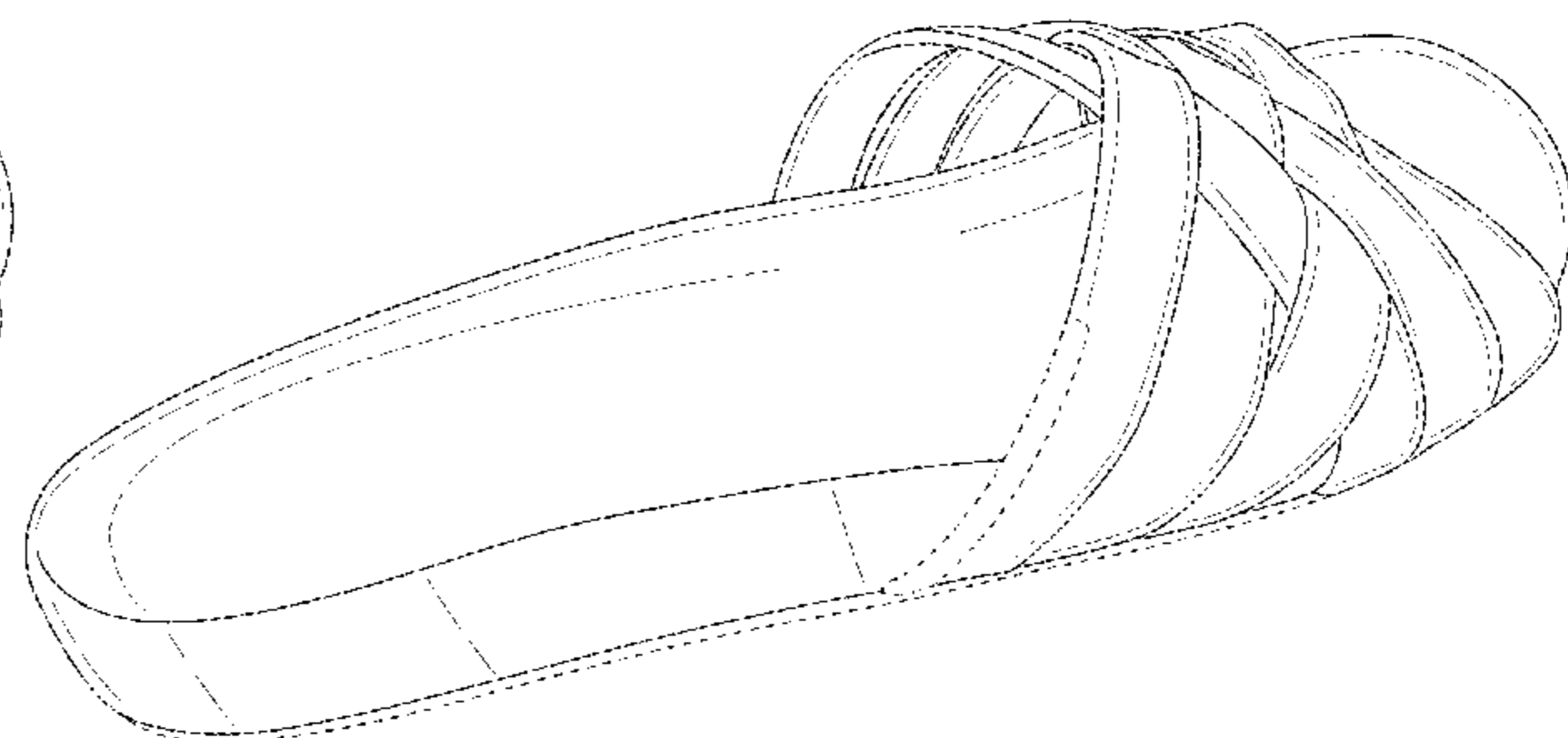
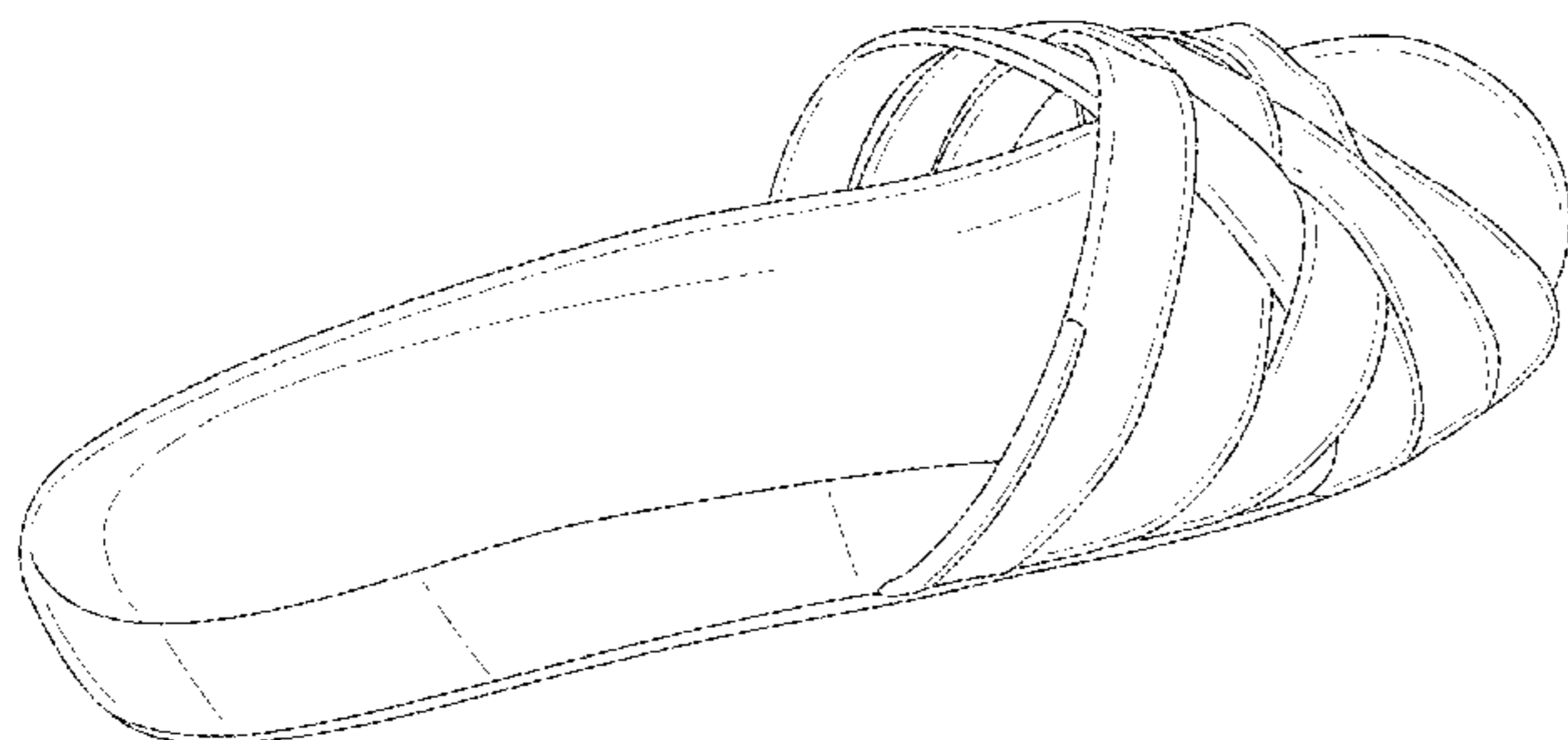
(57) **CLAIM**

The ornamental design for a sandal, as shown and described.

DESCRIPTION

FIG. 1 is a front right perspective view of a first embodiment of a sandal showing our new design; FIG. 2 is front view of the design shown in FIG. 1; FIG. 3 is a rear view of the design shown in FIG. 1; FIG. 4 is a left side view of the design shown in FIG. 1; FIG. 5 is a right side view of the design shown in FIG. 1; FIG. 6 is a top view of the design shown in FIG. 1; FIG. 7 is a bottom view of the design shown in FIG. 1; FIG. 8 is front right perspective view of a second embodiment of a sandal showing our new design; FIG. 9 is front view of the design shown in FIG. 8; FIG. 10 is a rear view of the design shown in FIG. 8; FIG. 11 is a left side view of the design shown in FIG. 8; FIG. 12 is a right side view of the design shown in FIG. 8; FIG. 13 is a top view of the design shown in FIG. 8; FIG. 14 is a bottom view of the design shown in FIG. 8; FIG. 15 is front right perspective view of a third embodiment of a sandal showing our new design; FIG. 16 is front view of the design shown in FIG. 15; FIG. 17 is a rear view of the design shown in FIG. 15; FIG. 18 is a left side view of the design shown in FIG. 15; FIG. 19 is a right side view of the design shown in FIG. 15; FIG. 20 is a top view of the design shown in FIG. 15; FIG. 21 is a bottom view of the design shown in FIG. 15; FIG. 22 is front right perspective view of a fourth embodiment of a sandal showing our new design; FIG. 23 is front view of the design shown in FIG. 22; FIG. 24 is a rear view of the design shown in FIG. 22; FIG. 25 is a left side view of the design shown in FIG. 22; FIG. 26 is a right side view of the design shown in FIG. 22; FIG. 27 is a top view of the design shown in FIG. 22; and, FIG. 28 is a bottom view of the design shown in FIG. 22.

(Continued)



FIGS. 8-14 and 22-28 include broken dashed lines and solid lines. The areas within the solid lines form the claimed design. The broken dashed lines shown in FIGS. 8-14 and 22-28 are included for the purpose of illustrating environmental structure of the sandal and form no part of the claimed design. Moreover, the material shading shown on the straps of the embodiments in FIGS. 15-28 represents a knitted textile and forms part of the claimed design in FIGS. 15-28.

1 Claim, 28 Drawing Sheets

(58) **Field of Classification Search**

CPC A43B 3/122; A43B 5/12; A43B 3/126;
A43B 23/24; A43B 3/28; A43B 3/102;
A43B 1/04

See application file for complete search history.

(56) **References Cited**

U.S. PATENT DOCUMENTS

D291,382 S *	8/1987	Vaccaro	D2/918
D546,032 S *	7/2007	Issler	D2/917
D561,457 S *	2/2008	Andersen	D2/916
D599,101 S *	9/2009	Issler	D2/971
D622,048 S *	8/2010	Issler	D2/971
D890,502 S *	7/2020	Sherman	A43B 7/146 D2/971
D894,545 S *	9/2020	Sherman	A43B 7/146 D2/917
D902,554 S *	11/2020	Beckett	D2/971

* cited by examiner

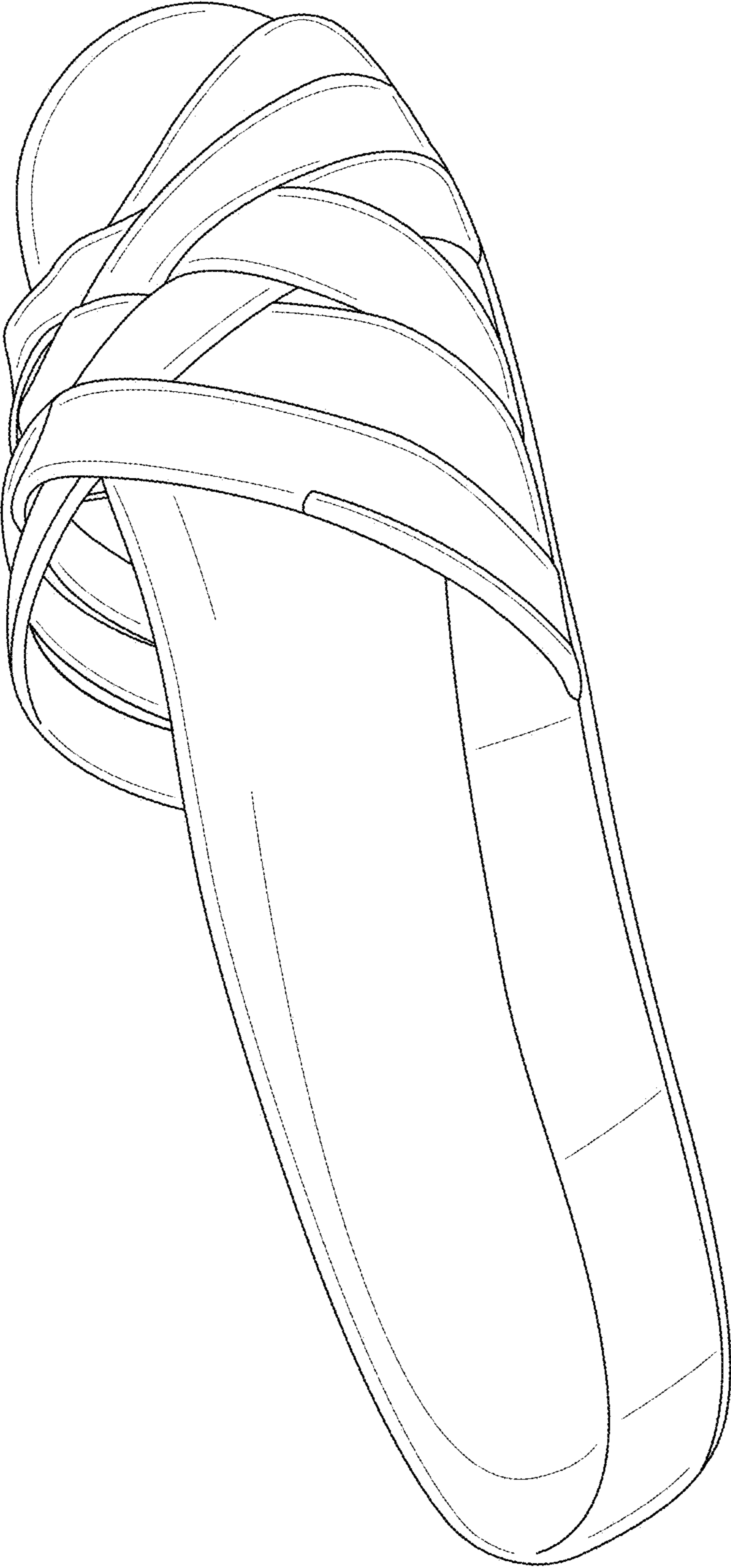


FIG. 1

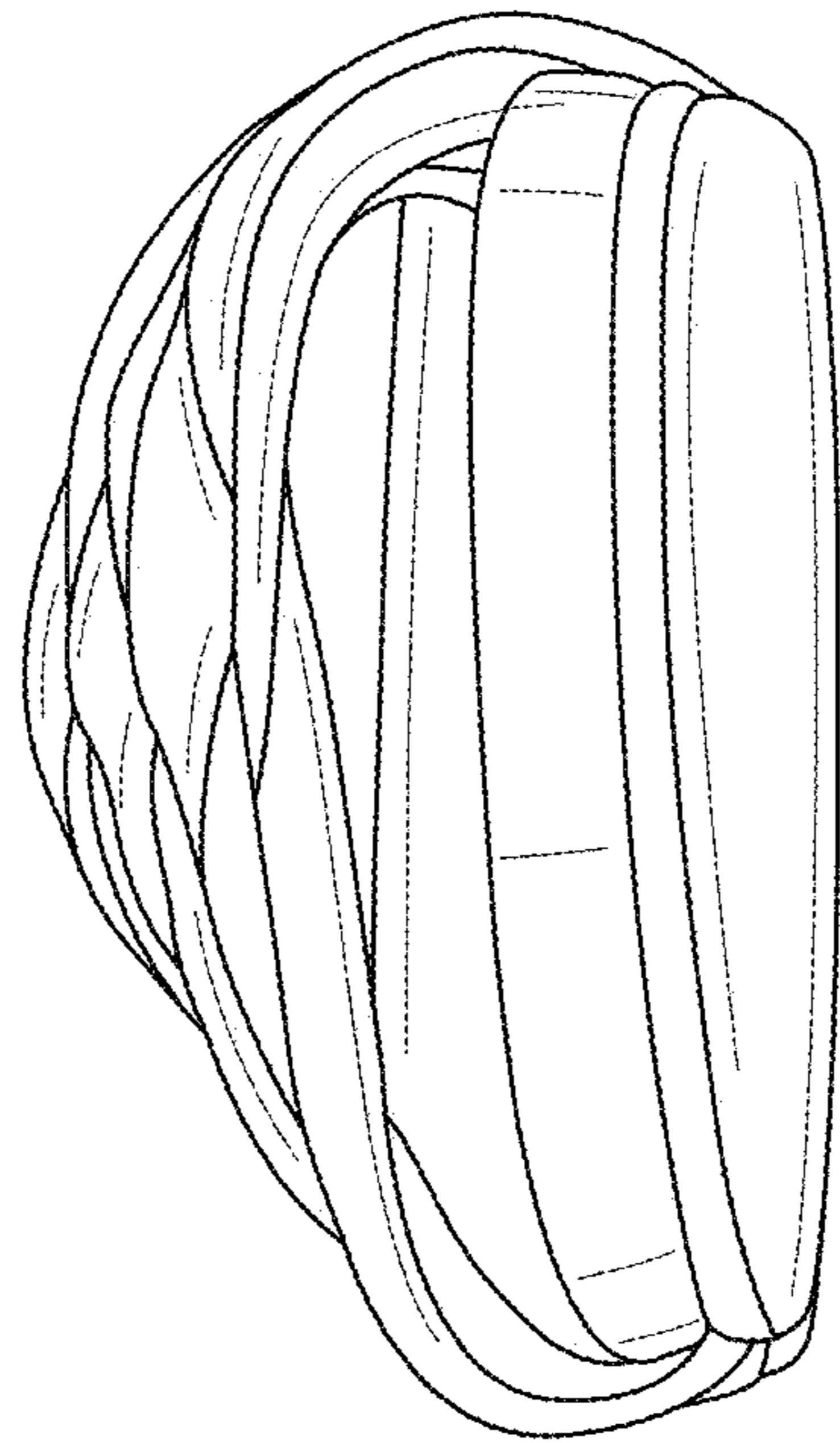


FIG. 2

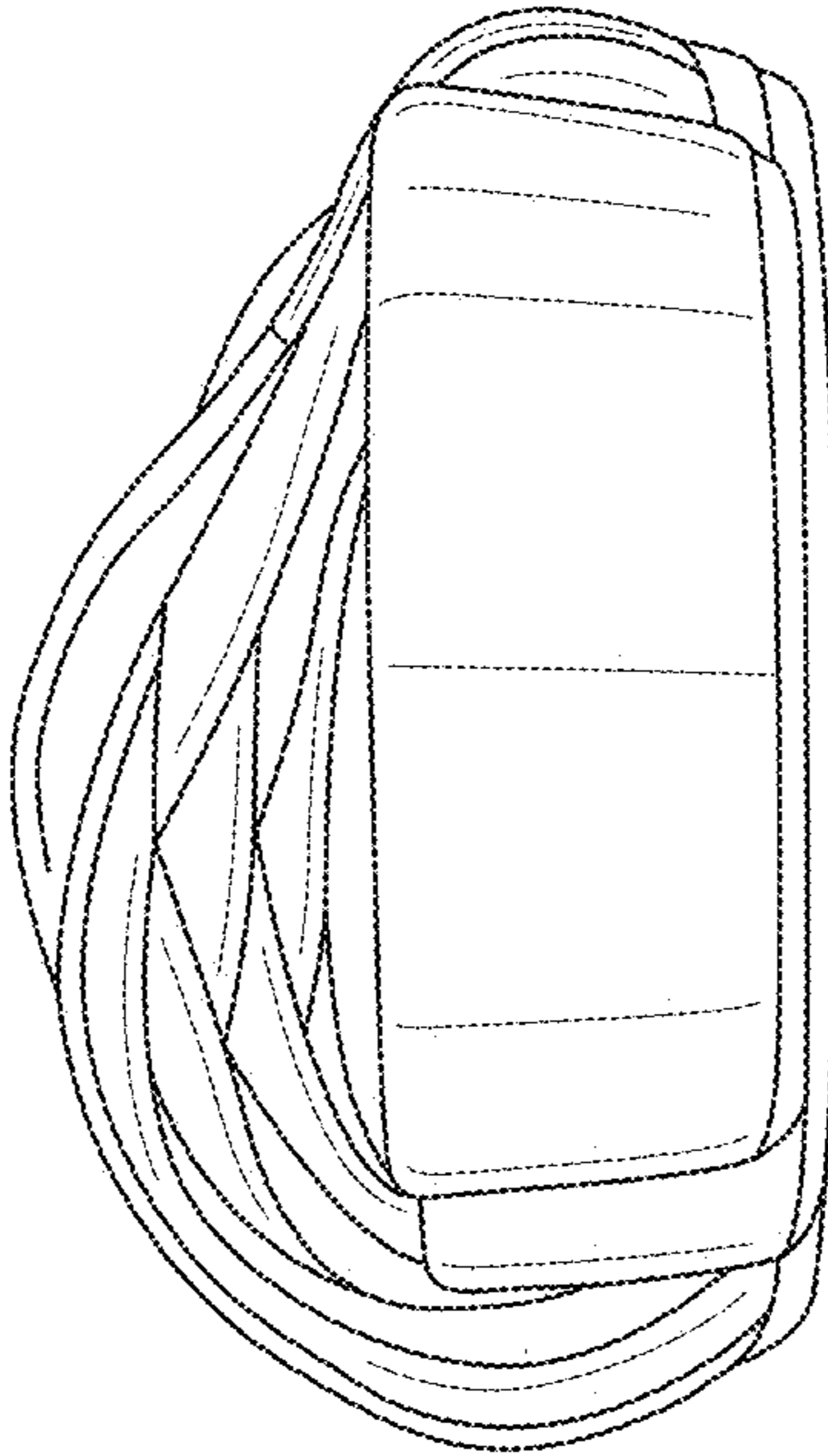


FIG. 3

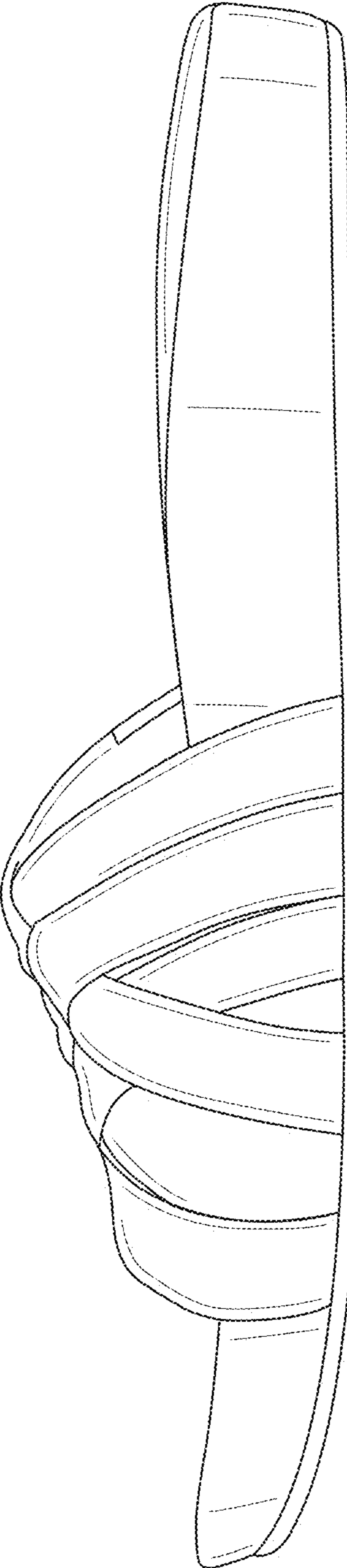


FIG. 4

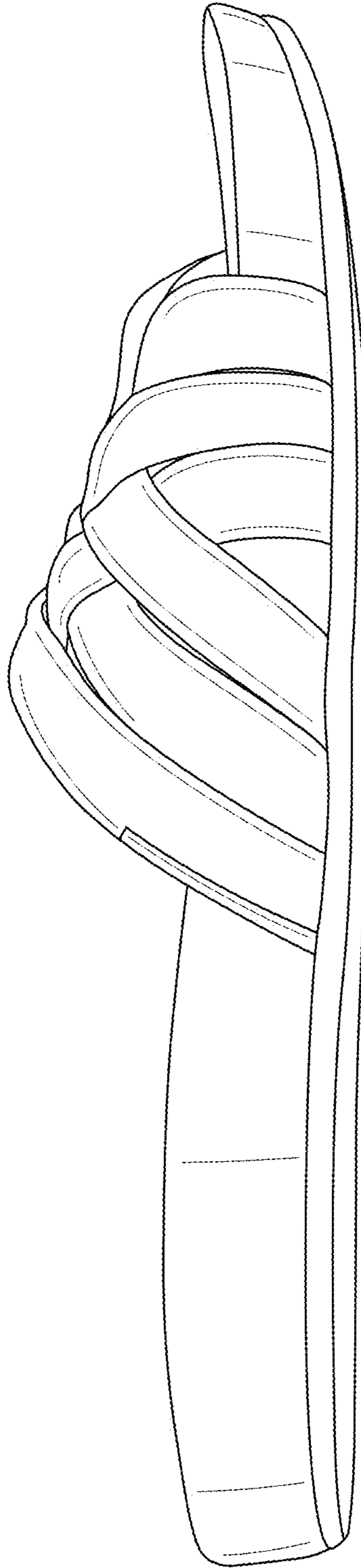


FIG. 5

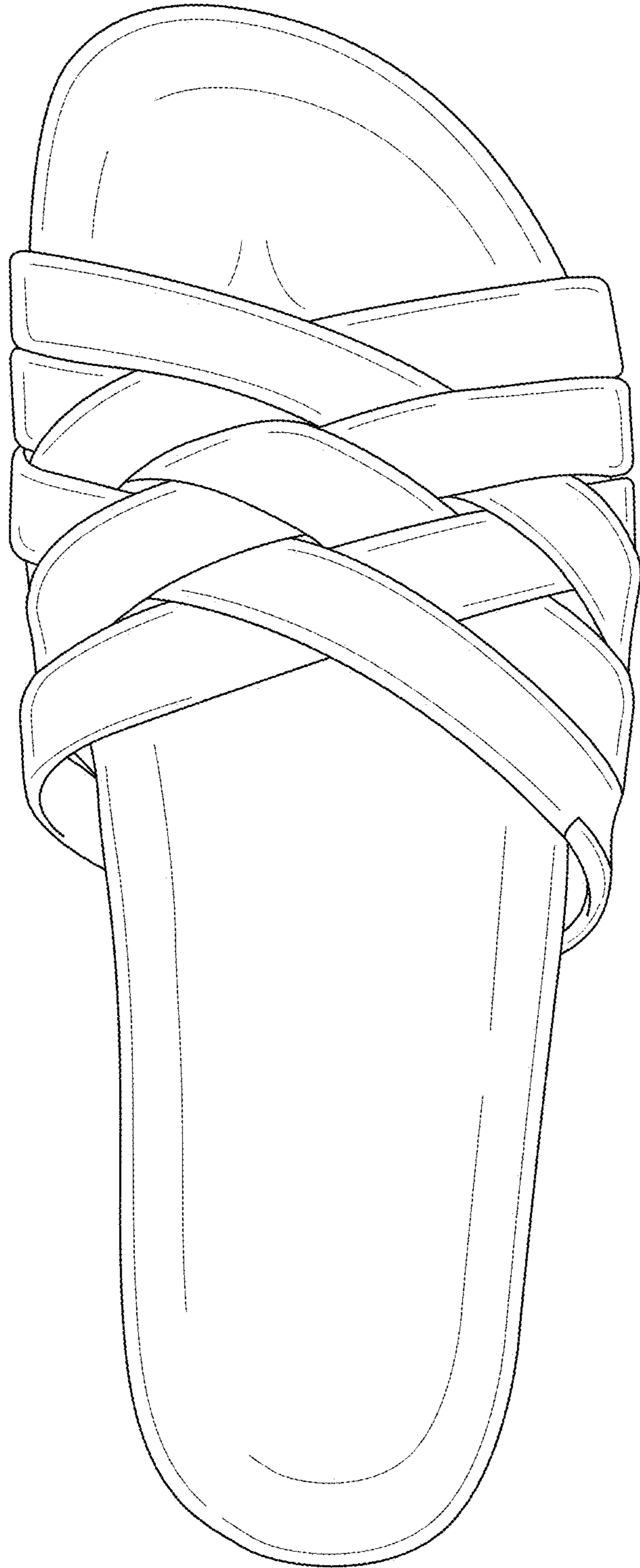


FIG. 6

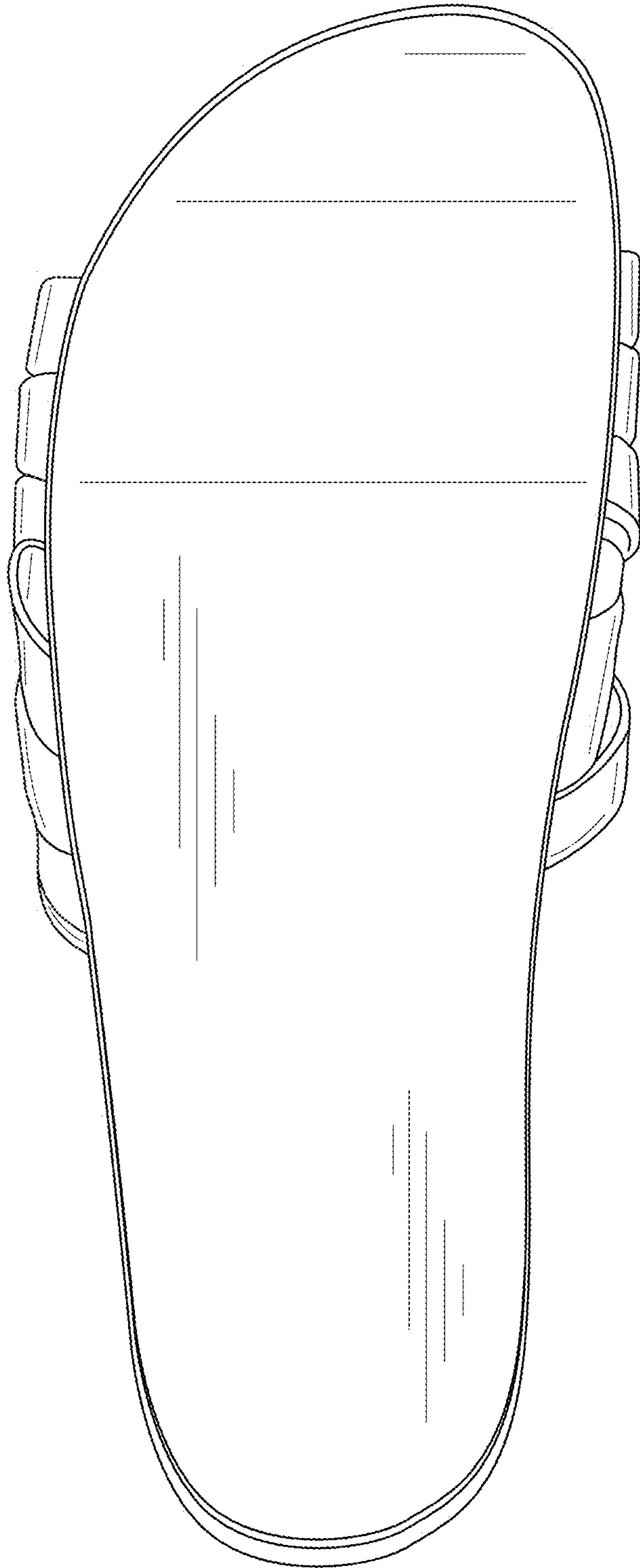


FIG. 7

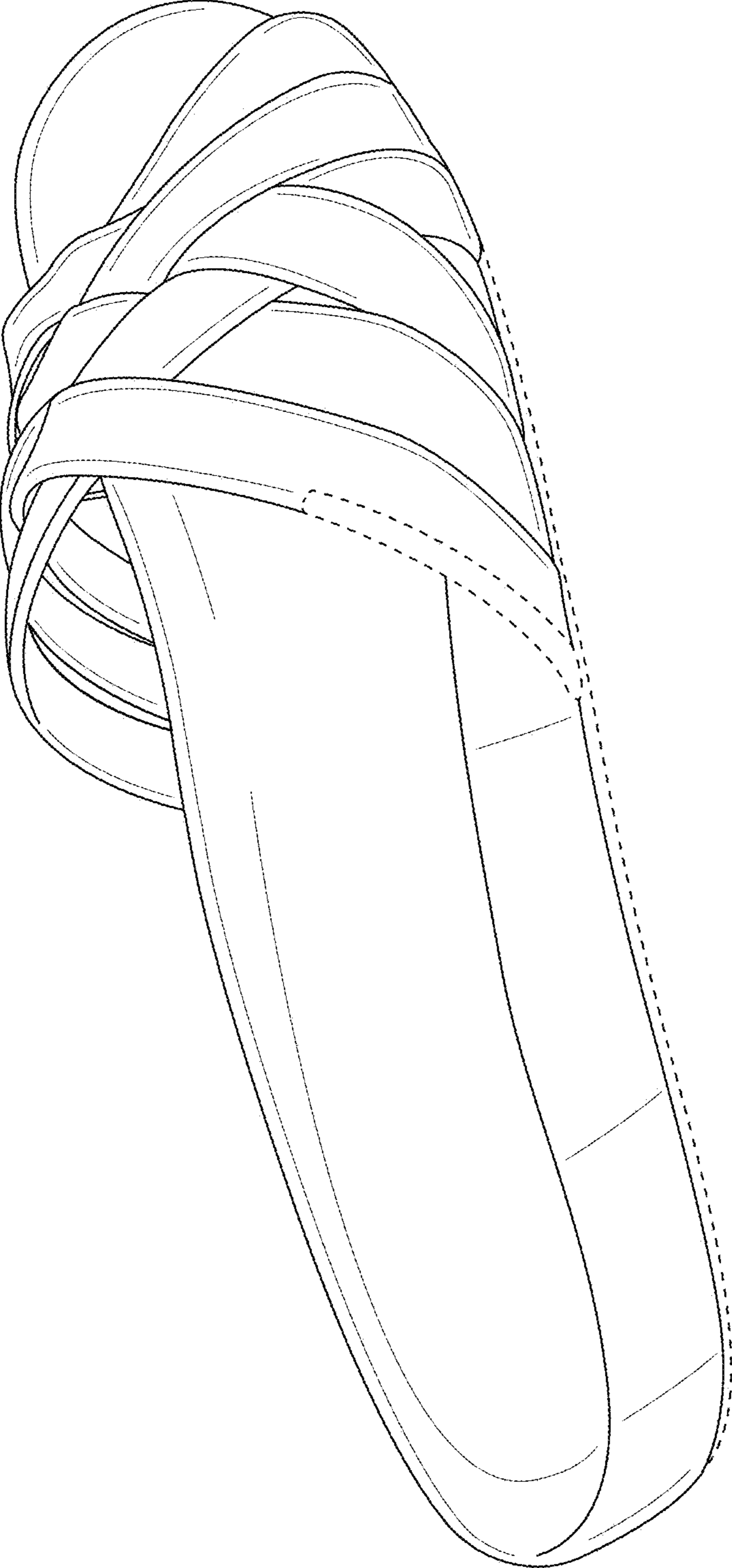


FIG. 8

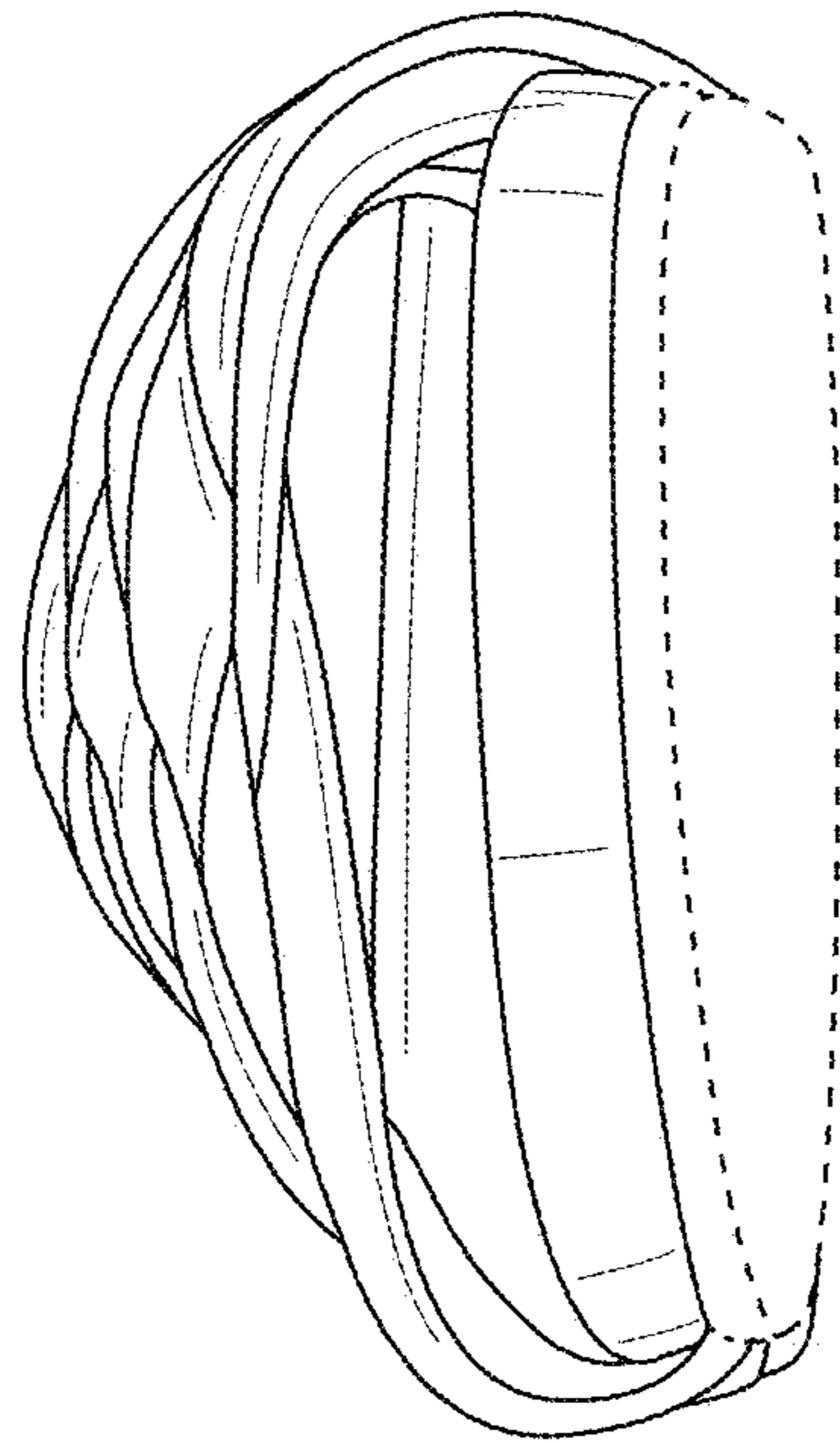


FIG. 9

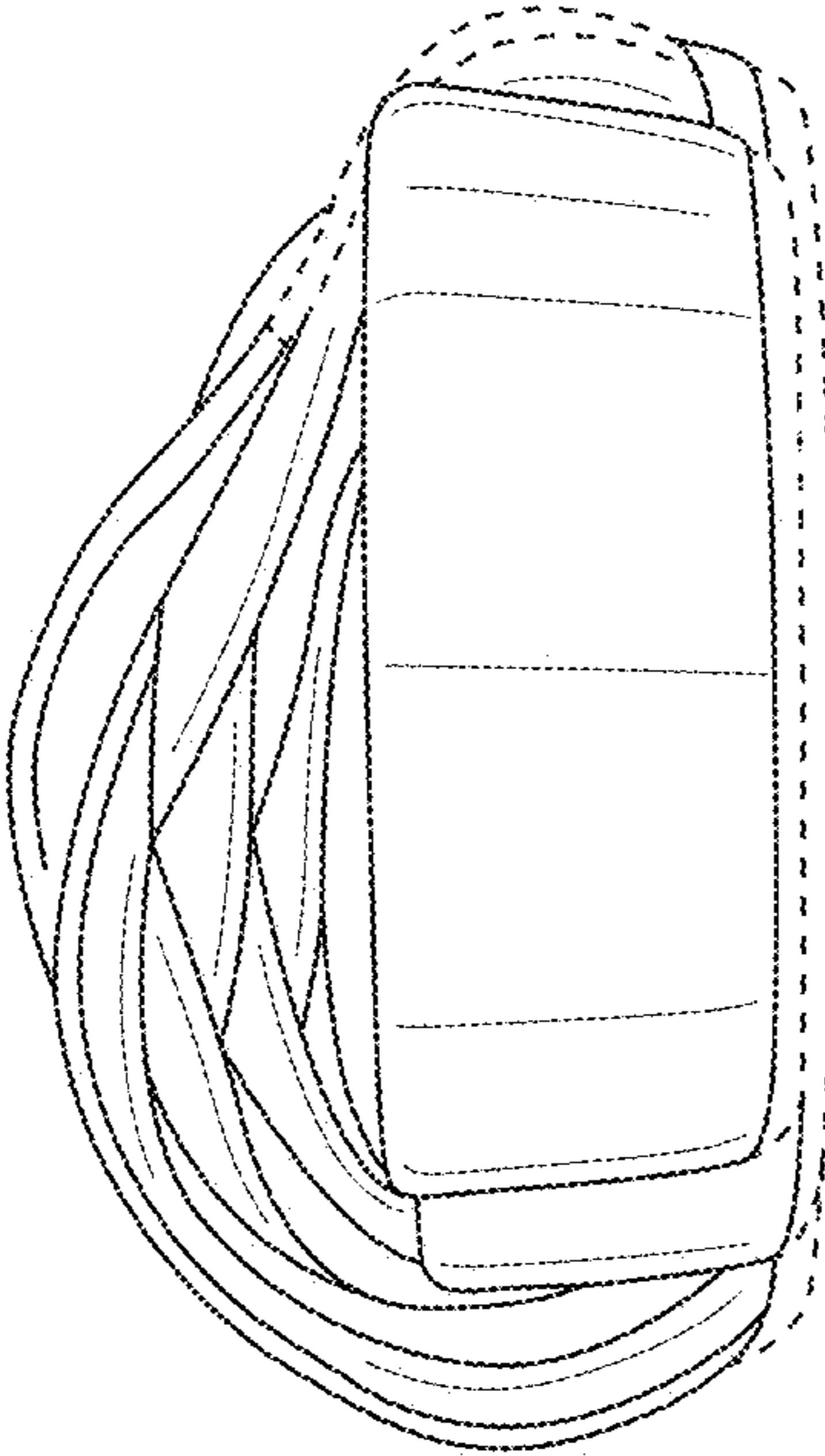


FIG. 10

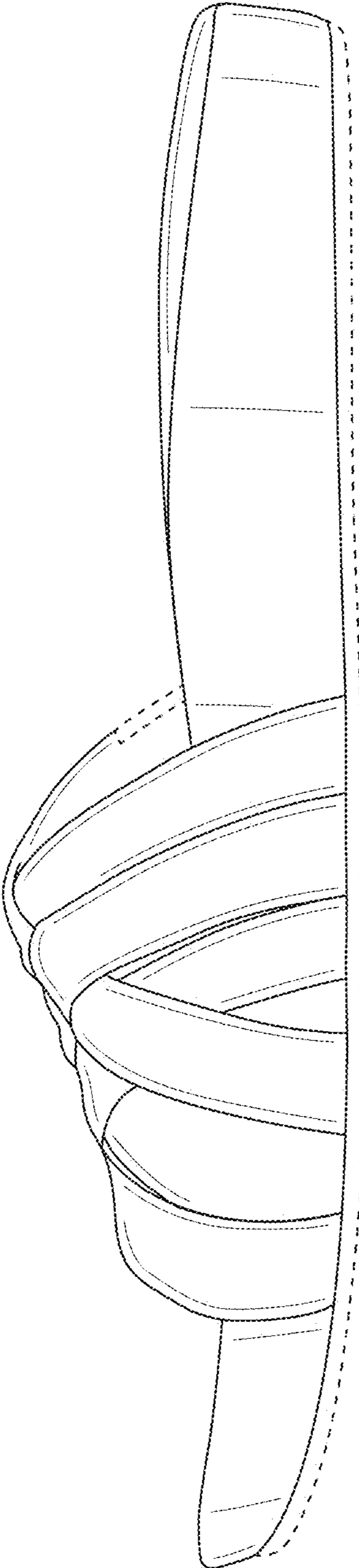


FIG. 11

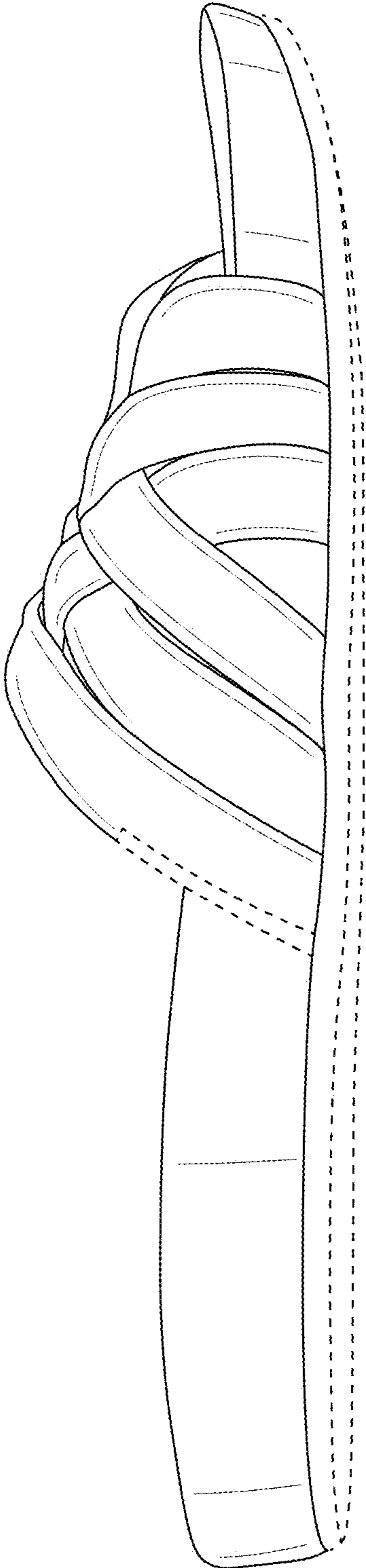


FIG. 12

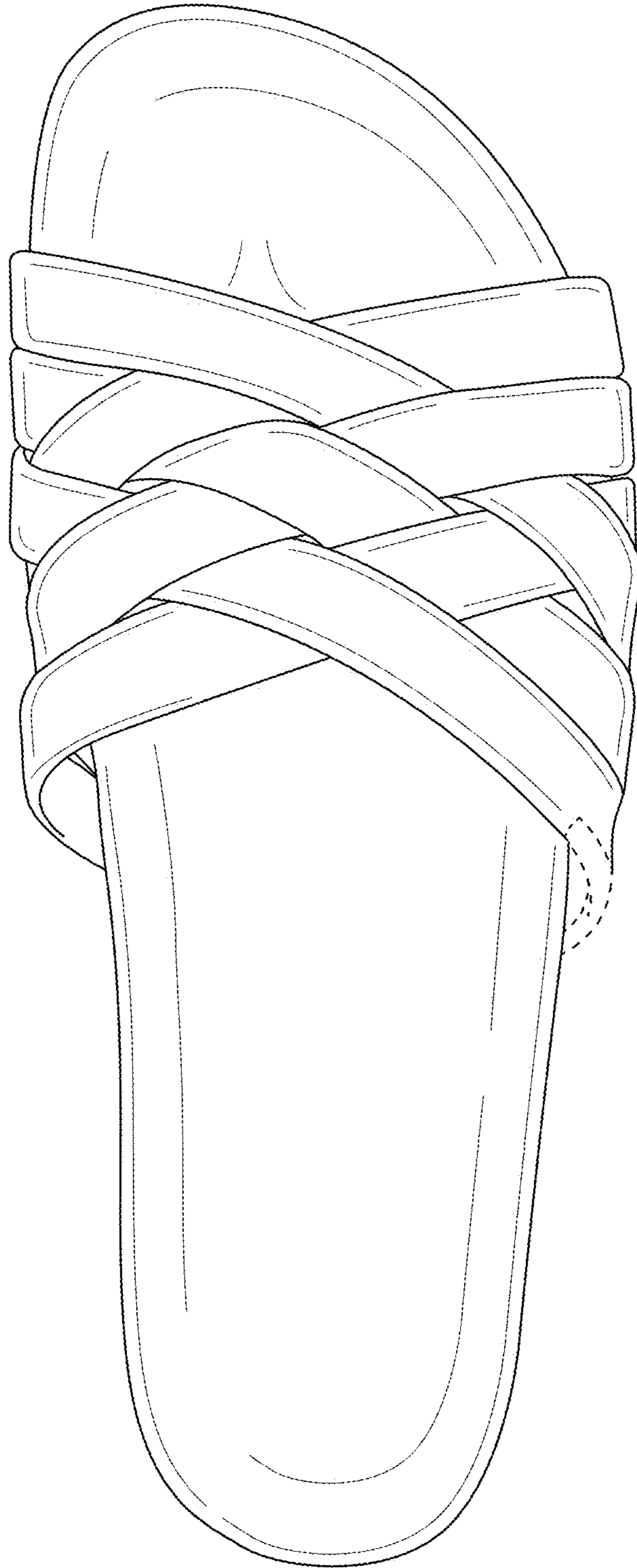


FIG. 13

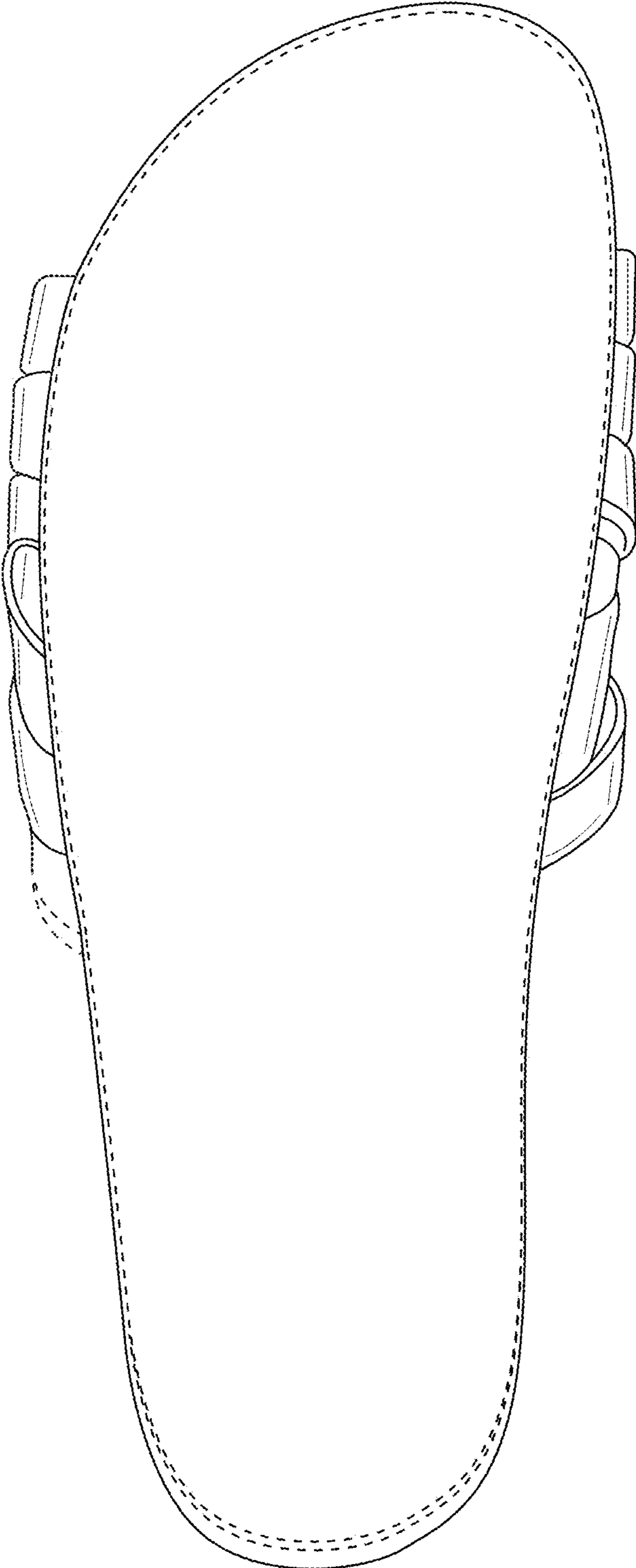


FIG. 14

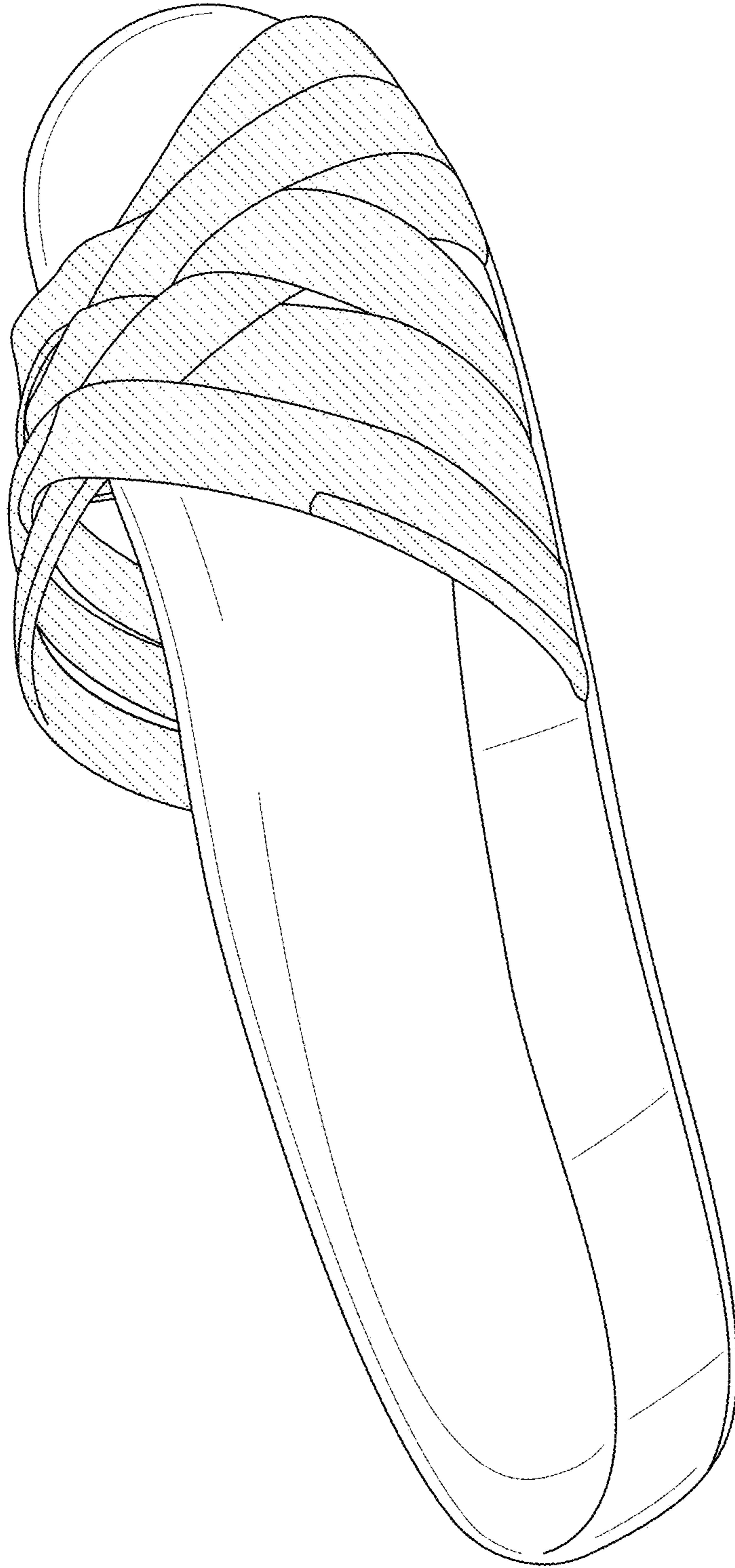


FIG. 15

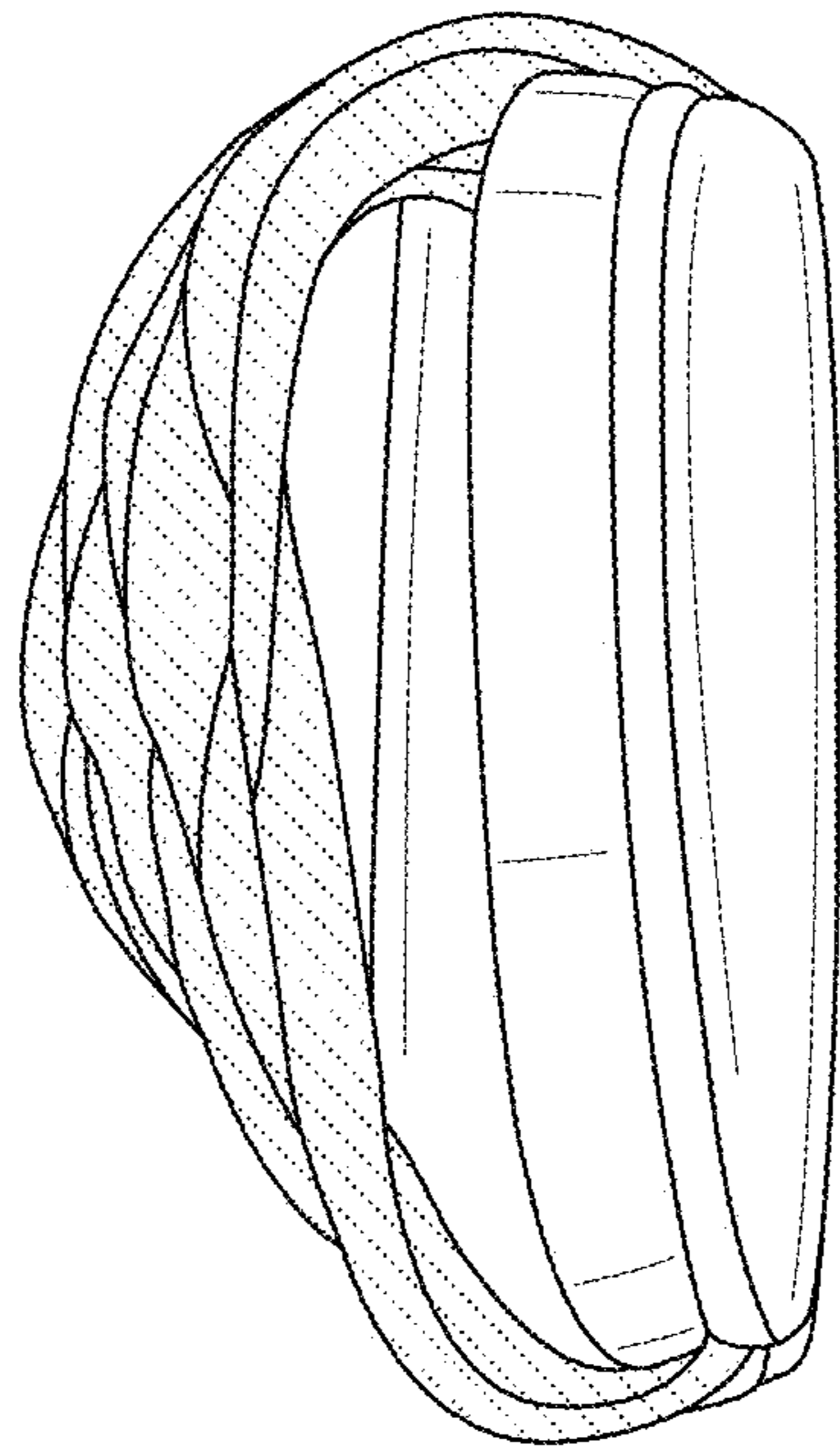


FIG. 16

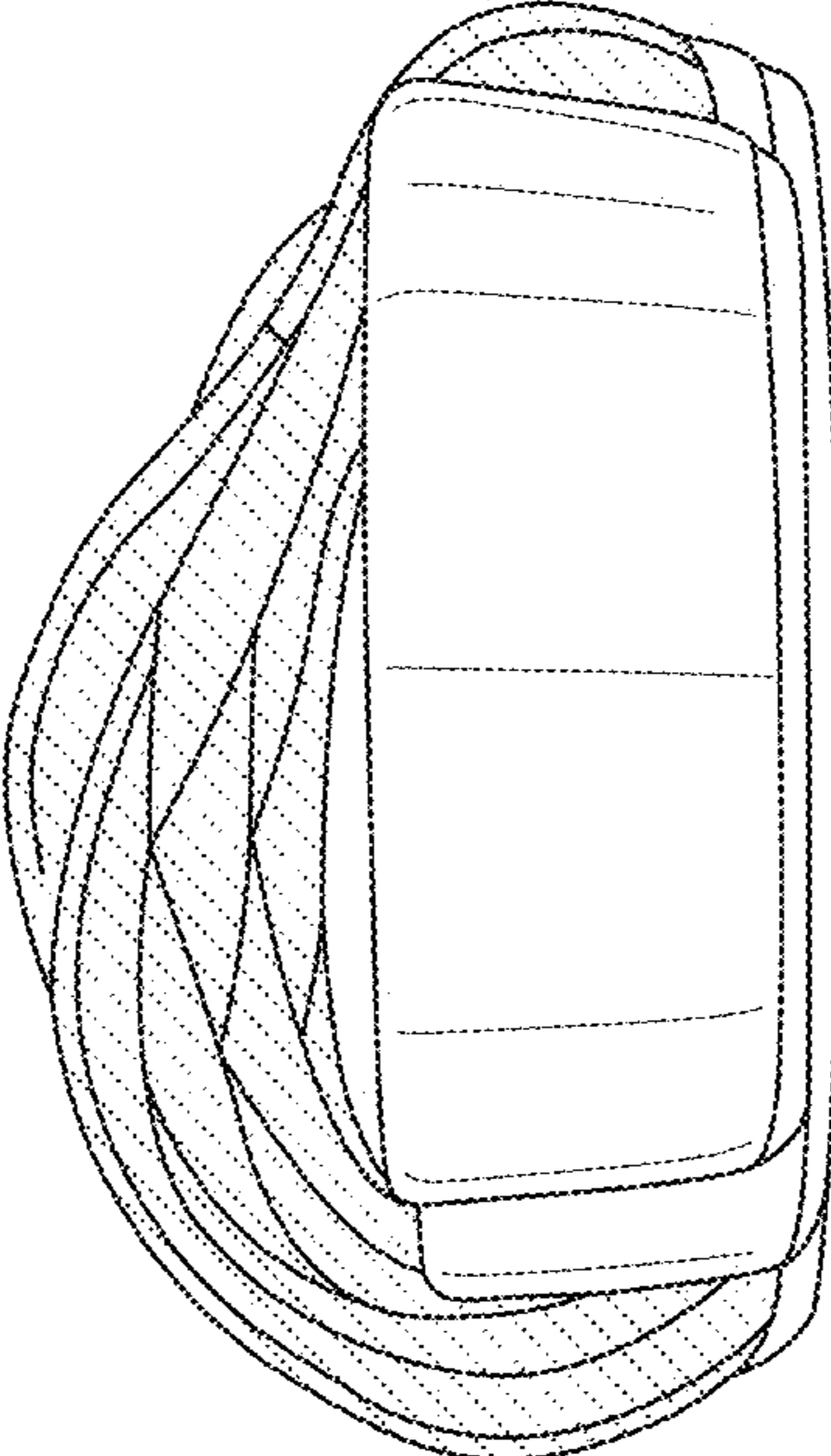


FIG. 17

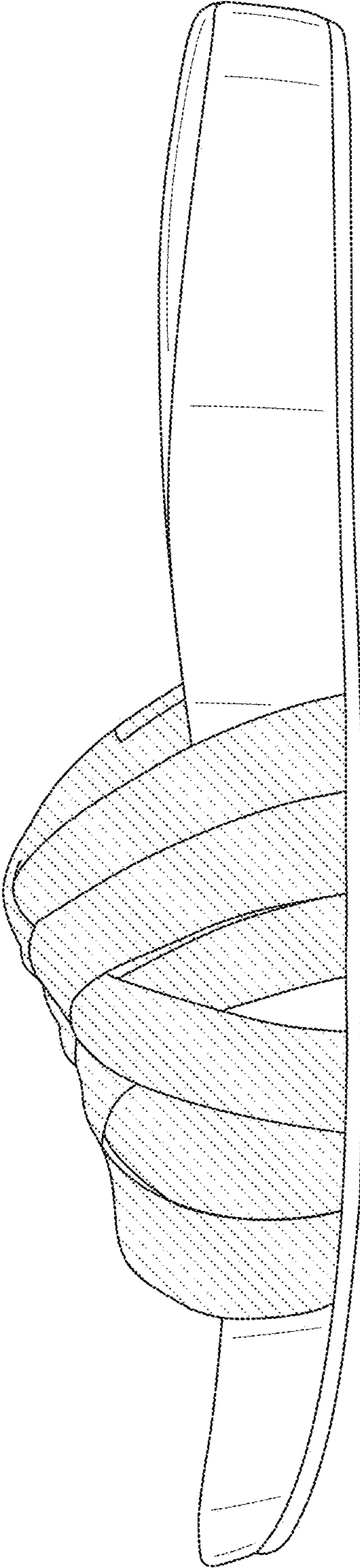


FIG. 18

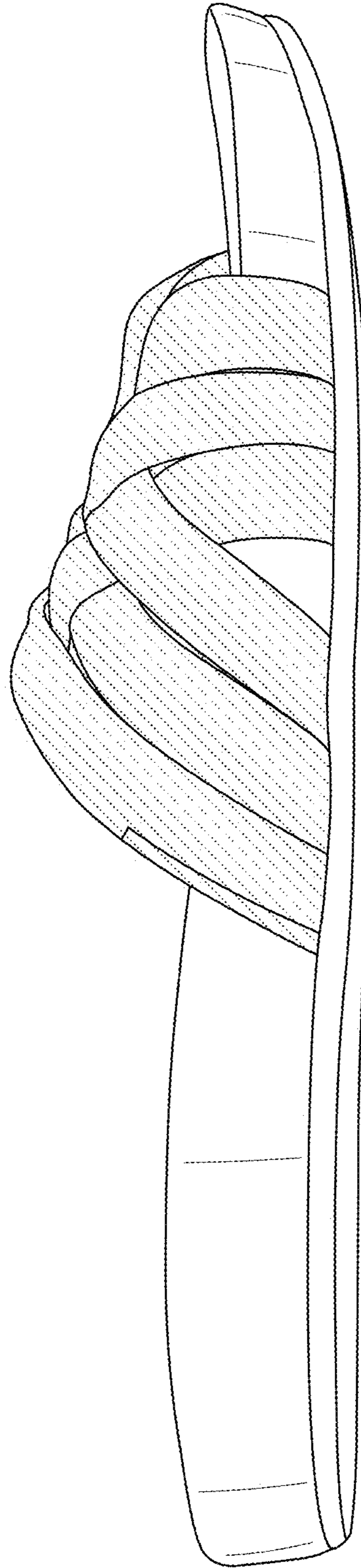


FIG. 19

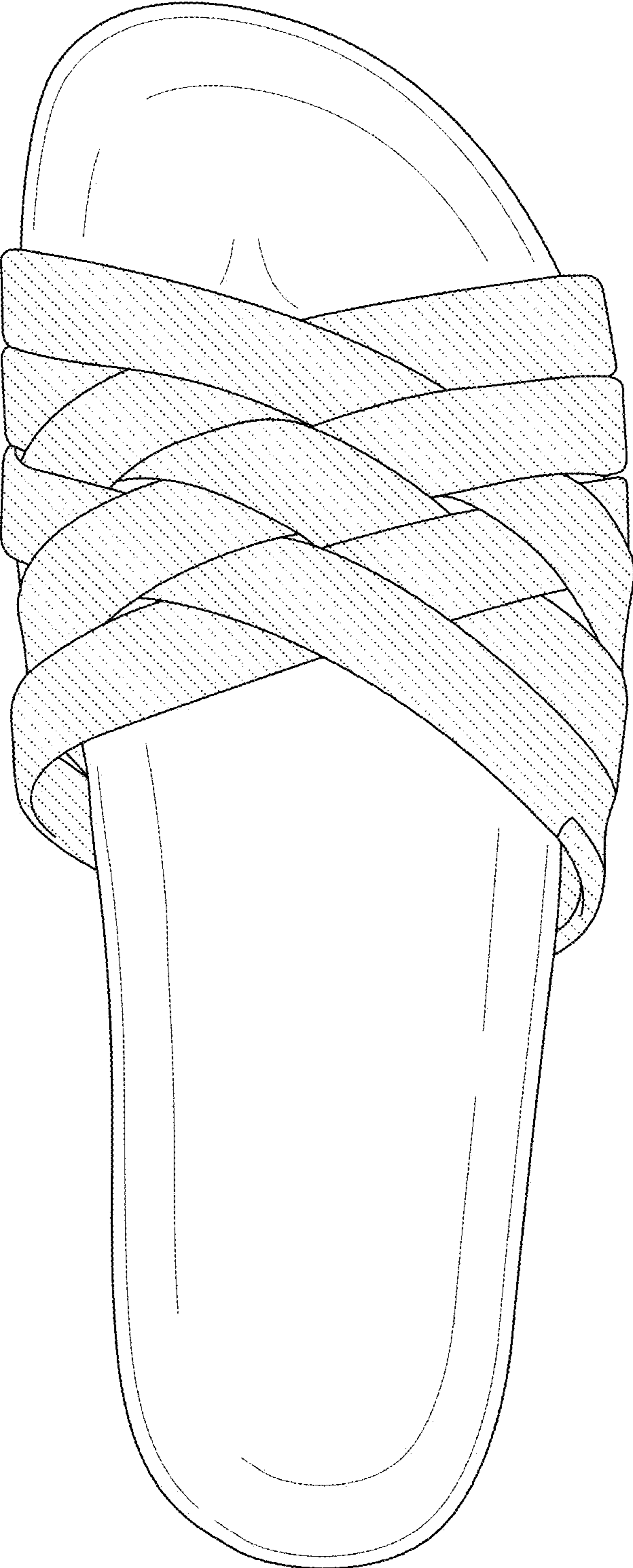


FIG. 20

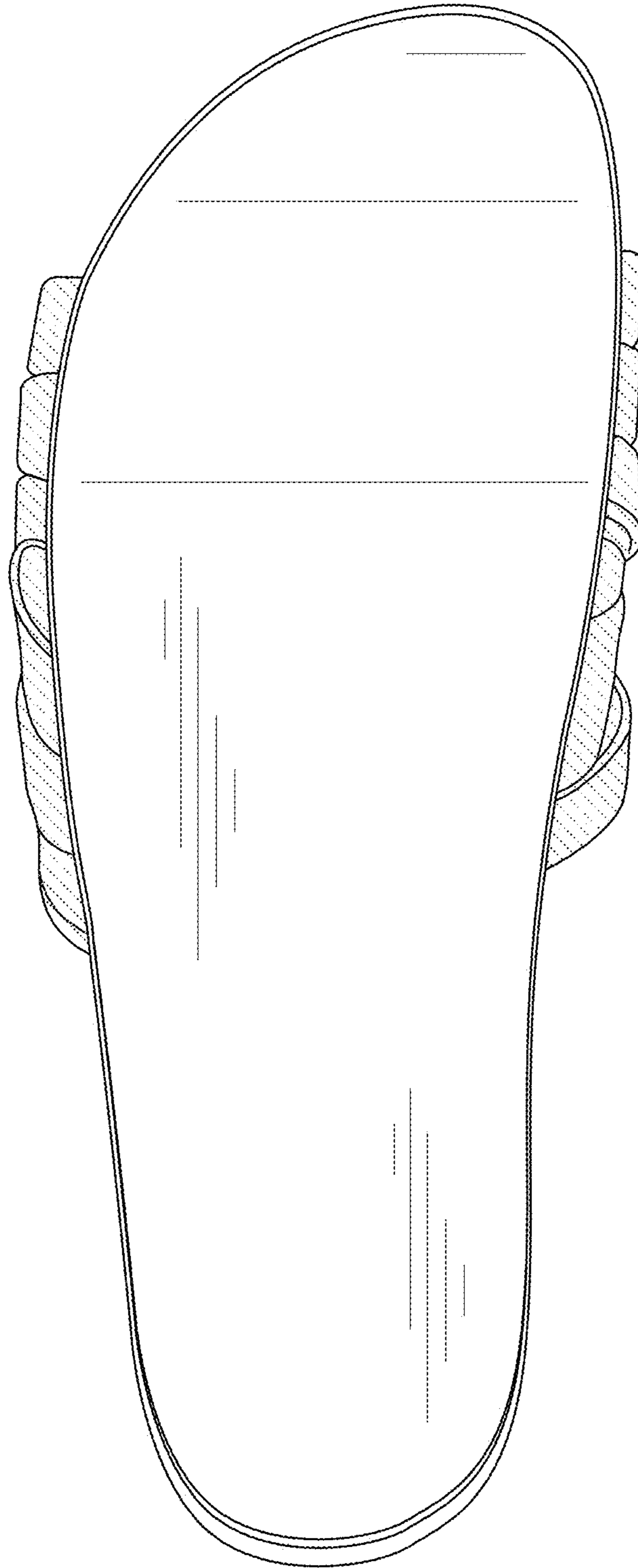


FIG. 21

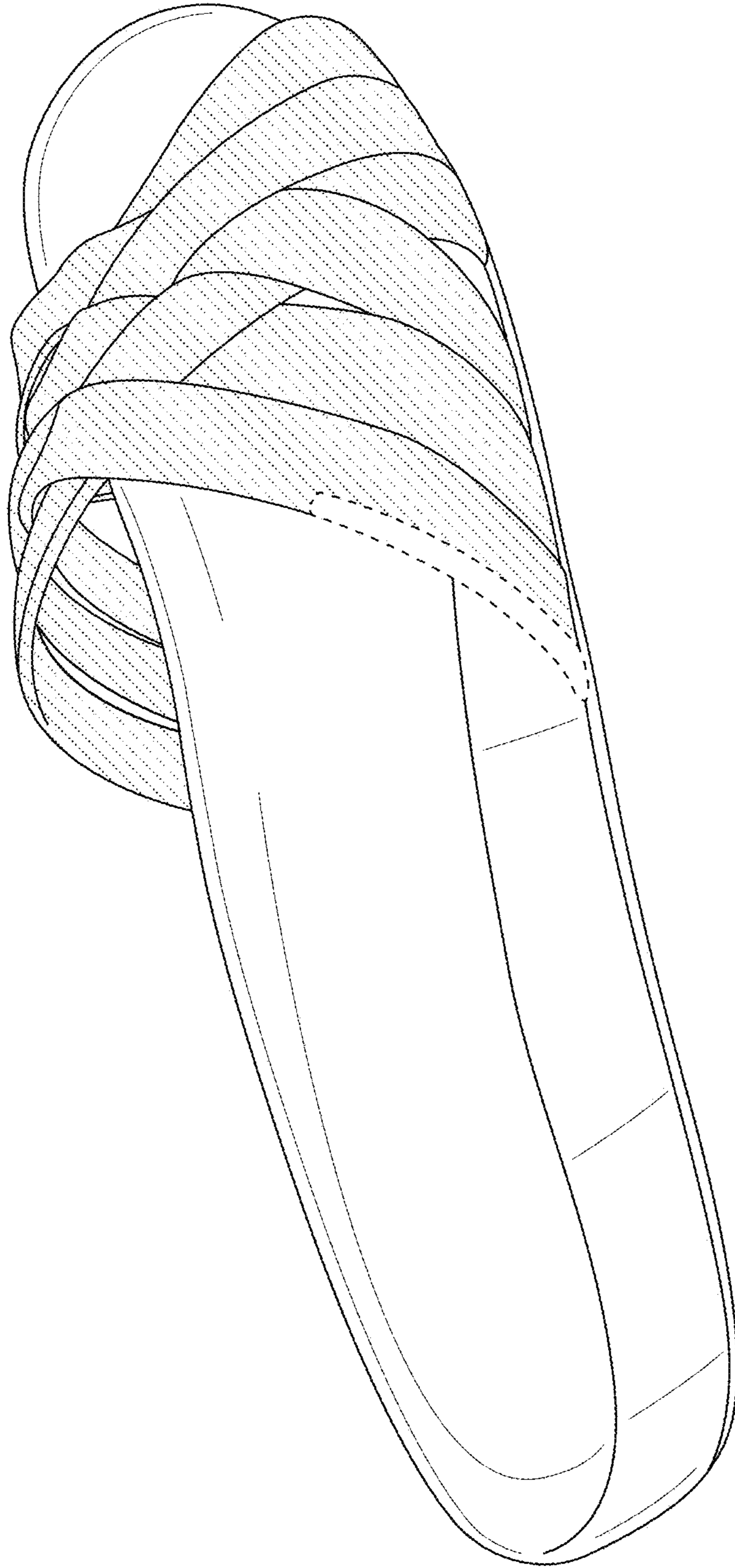


FIG. 22

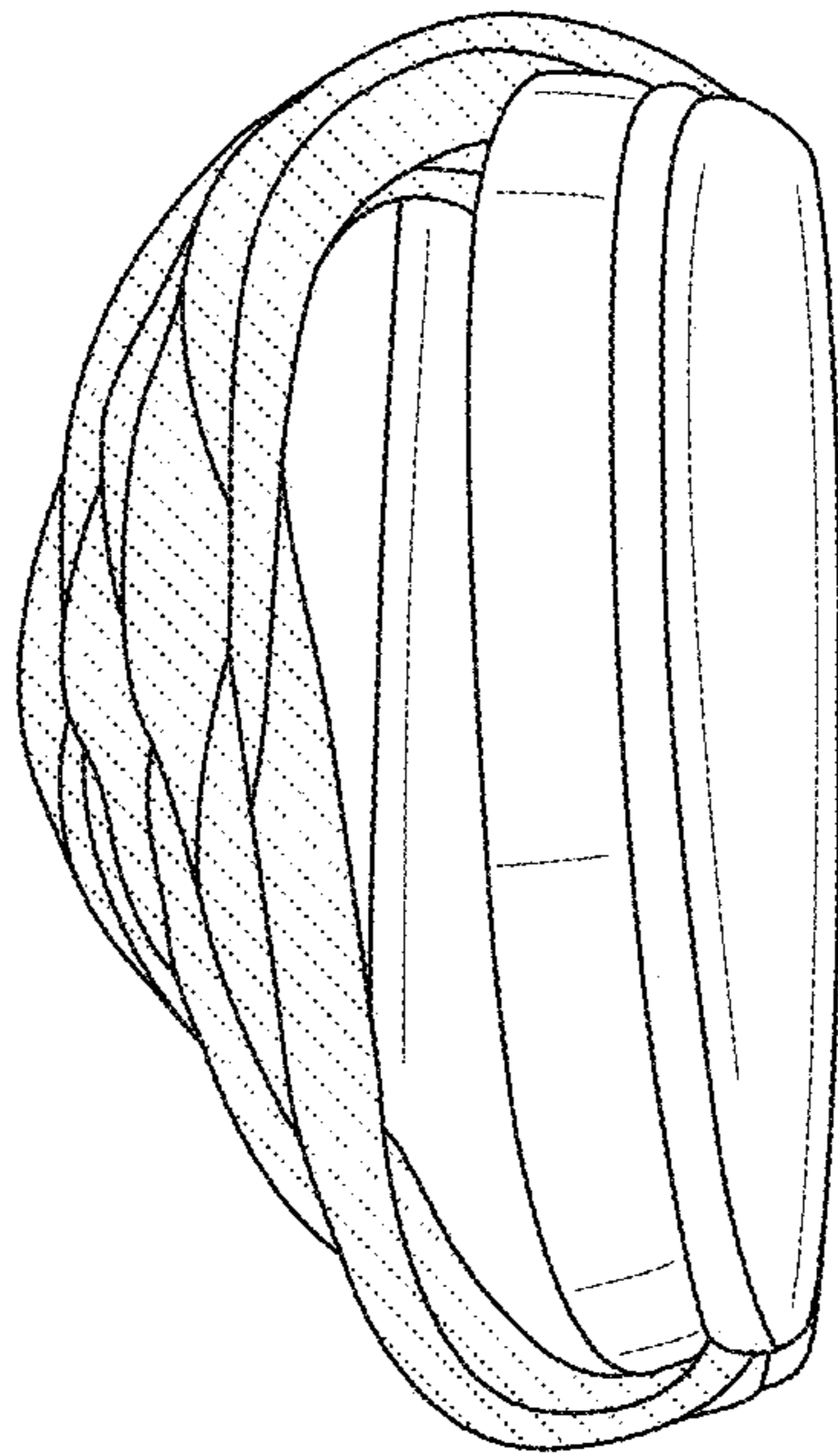


FIG. 23

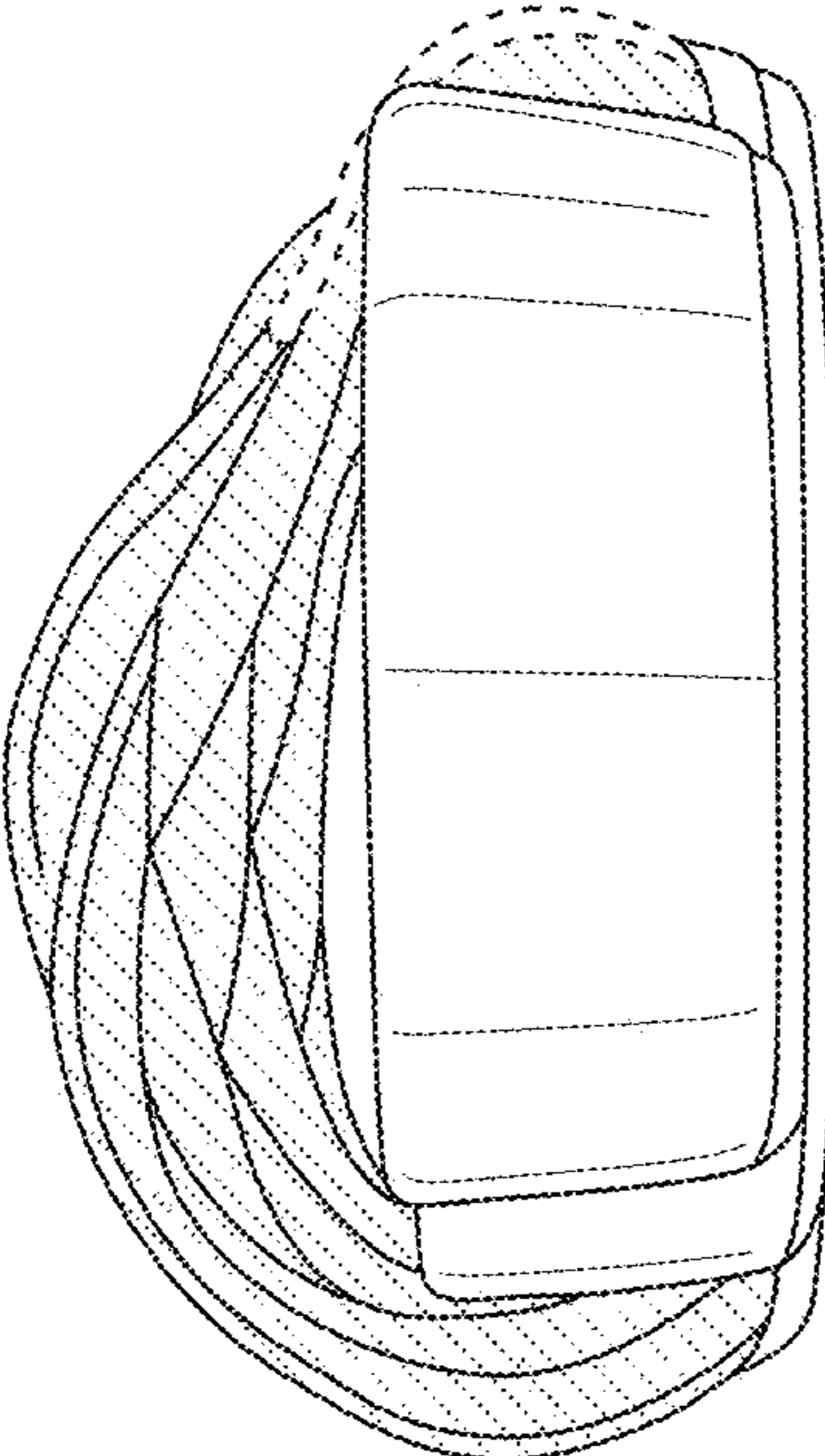


FIG. 24

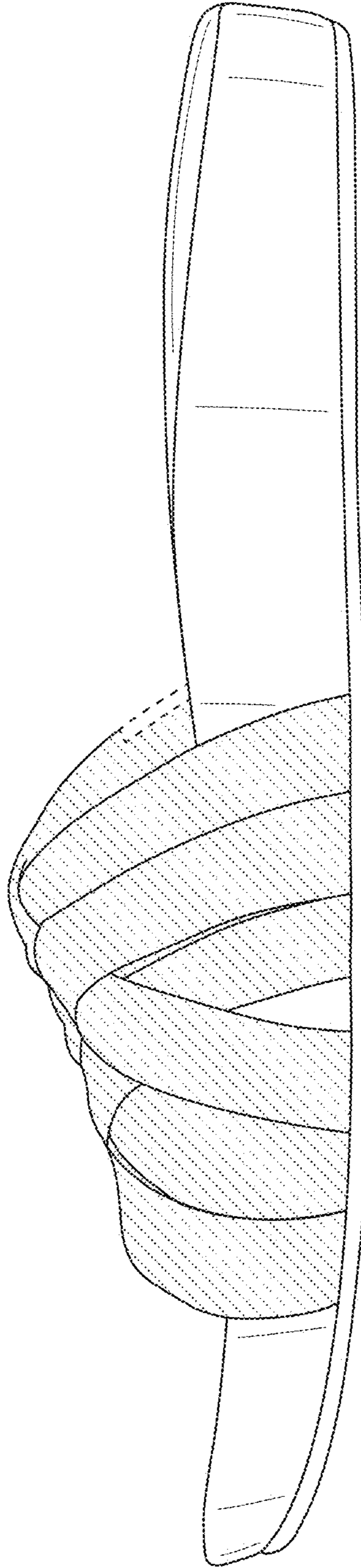


FIG. 25

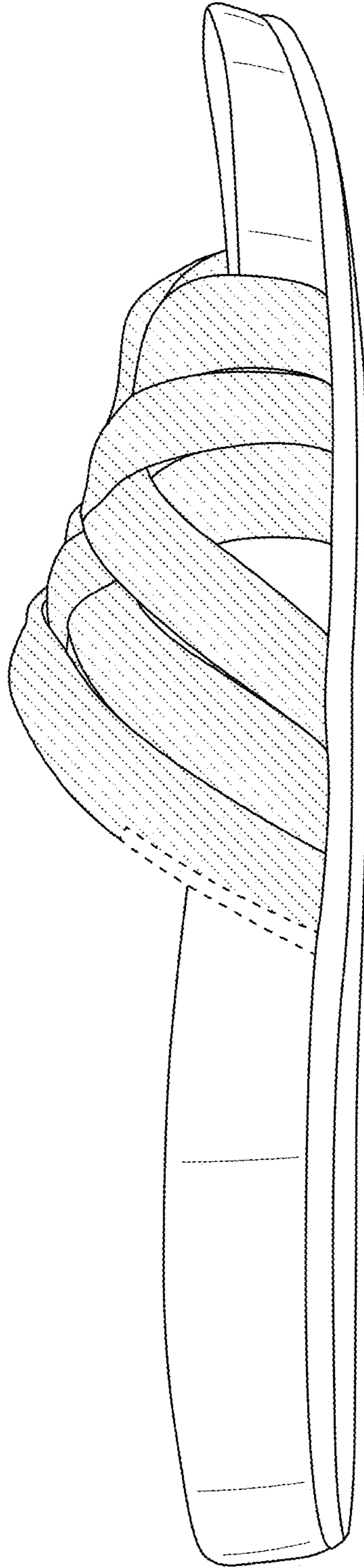


FIG. 26

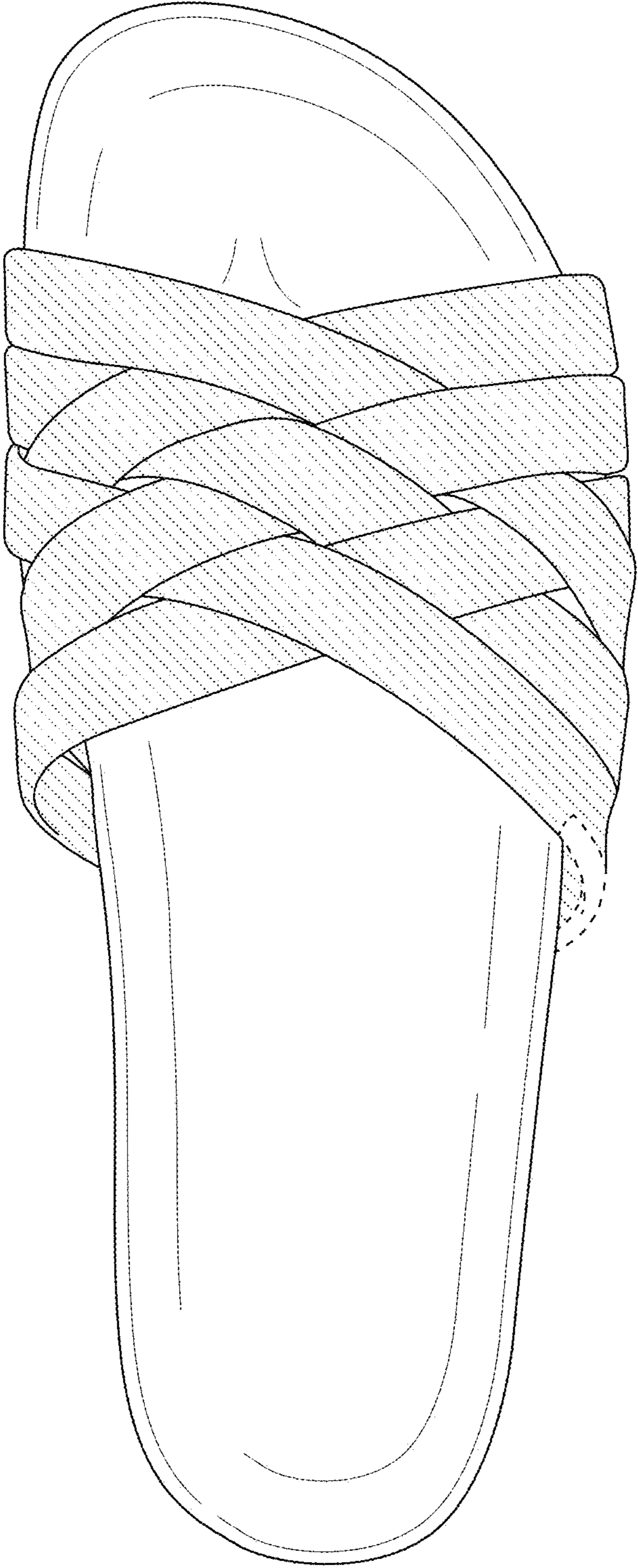


FIG. 27

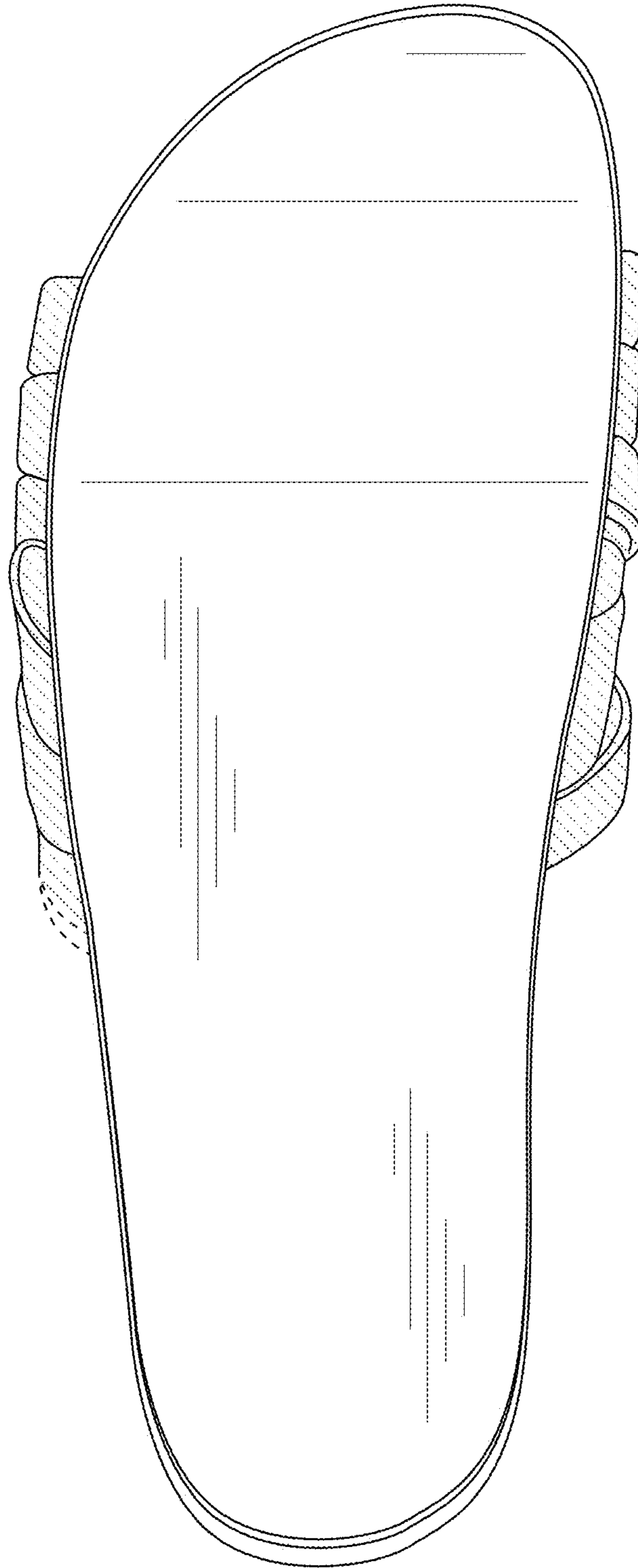


FIG. 28