



US00D942739S

(12) **United States Design Patent** (10) **Patent No.:** **US D942,739 S**
Banas (45) **Date of Patent:** **** Feb. 8, 2022**

(54) **WAISTBAND EXPANDER WITH A COVERING PORTION**

(71) Applicant: **Sylwia Banas**, Mt. Prospect, IL (US)

(72) Inventor: **Sylwia Banas**, Mt. Prospect, IL (US)

(**) Term: **15 Years**

(21) Appl. No.: **29/718,359**

(22) Filed: **Dec. 23, 2019**

(51) **LOC (13) Cl.** **02-07**

(52) **U.S. Cl.**
USPC **D2/639**

(58) **Field of Classification Search**

USPC D2/624, 625, 626, 627, 628, 639; D11/5, D11/13; D24/190; D29/101.1, 101.3

CPC A41F 11/02; A41F 11/14; A41F 11/16; A41F 19/00; A41F 3/02; A41F 5/00; A41F 9/00; A41F 9/002; A41F 9/02; A41F 9/025; B60R 2022/006

See application file for complete search history.

(56) **References Cited**

U.S. PATENT DOCUMENTS

1,839,675	A *	1/1932	Heyman	A41F 9/02
					2/401
3,086,529	A *	4/1963	Munz	A61F 13/10
					606/203
3,089,149	A	5/1963	Kelleam		
3,431,562	A	3/1969	Sounders		
3,501,774	A *	3/1970	Norman	A41F 11/16
					2/321
4,580,298	A	4/1986	Tuisl		
D360,452	S *	7/1995	Gessler	D21/804
5,867,839	A *	2/1999	Lawlor	A41F 11/16
					2/240
5,902,170	A	5/1999	Ganz		
6,085,356	A	7/2000	Redmond, Sr.		
6,219,848	B1 *	4/2001	Russell	A41D 1/21
					2/221

(Continued)

OTHER PUBLICATIONS

“Maeband Maternity Belly Band | Pregnancy Belt, Waistband Extender, Pregnancy Clothes, Maternity Jeans” as downloaded from the Internet website “https://www.amazon.com/Maeband-Maternity-Pregnancy-Waistband-Extender/dp/B01N9417XA” on Dec. 23, 2019.

Primary Examiner — Kevin K Rudzinski

Assistant Examiner — Clare Ann Gannon

(74) *Attorney, Agent, or Firm* — Quickpatents, LLC; Kevin Prince

(57) **CLAIM**

The ornamental design for a waistband expander with a covering portion, as shown and described.

DESCRIPTION

FIG. 1 is a perspective view of a waistband expander with a covering portion, showing my new design in a condition of use and in an open configuration;

FIG. 2 is an enlarged perspective view thereof, illustrated in a condition of use and in a folded-over configuration;

FIG. 3 is a top plan view of FIG. 2;

FIG. 4 is an enlarged perspective view thereof in a flat configuration;

FIG. 5 is a front elevational view of FIG. 4;

FIG. 6 is a rear elevational view of FIG. 4;

FIG. 7 is a left-side elevational view of FIG. 4;

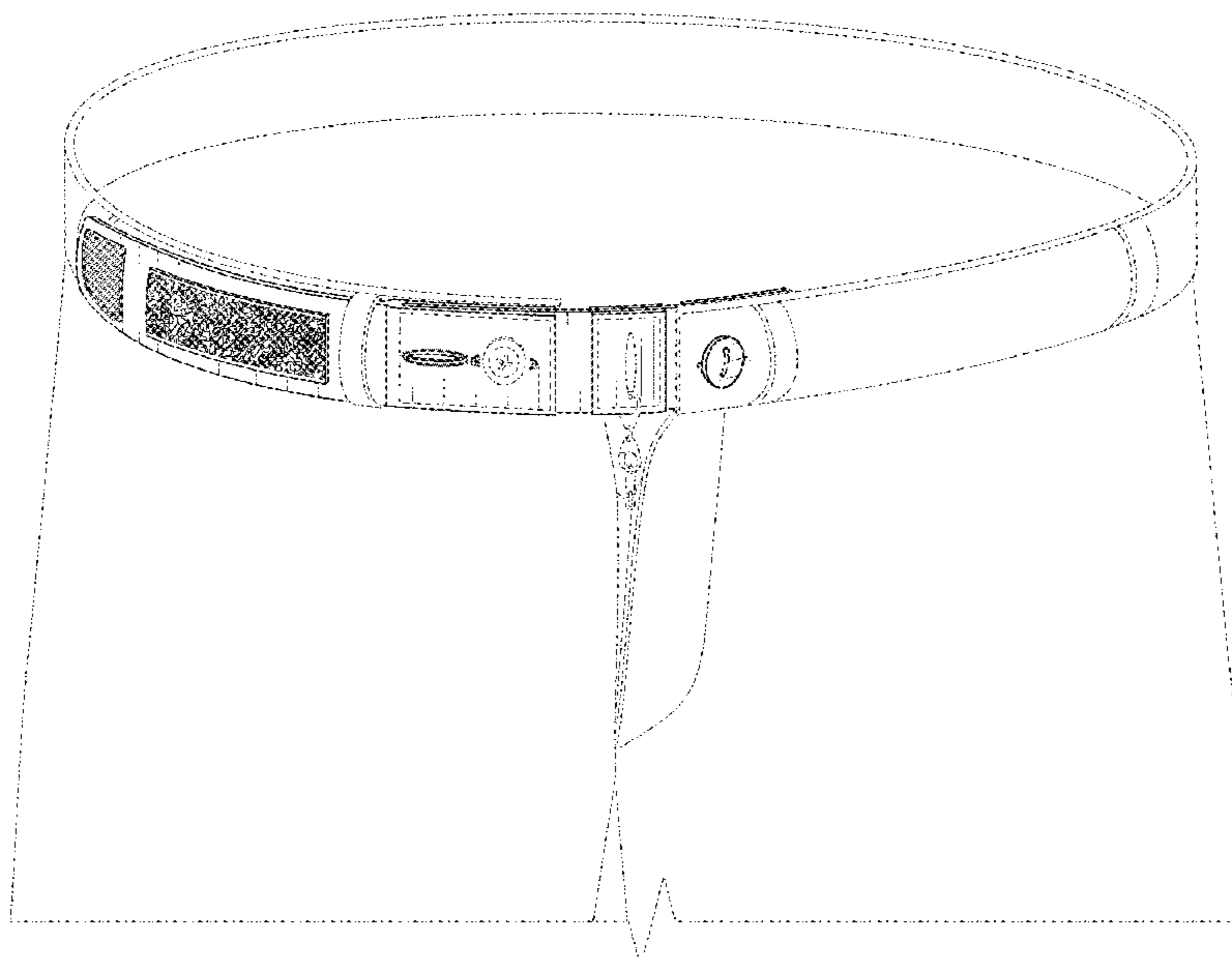
FIG. 8 is a rear elevational view of FIG. 4;

FIG. 9 is a top plan view of FIG. 4; and,

FIG. 10 is a bottom plan view of FIG. 4.

The evenly spaced broken lines represent stitching and are part of the claimed design. The dot-dash broken lines showing the vertical buttonhole represent portions of the article that form no part of the claimed design. The remaining dot-dash broken lines depict environmental matter and form no part of the claimed design.

1 Claim, 6 Drawing Sheets



(56)

References Cited

U.S. PATENT DOCUMENTS

D750,343 S * 3/2016 Biesel D2/627
D783,207 S * 4/2017 Lindsey D29/122
D865,187 S * 10/2019 Cisco, Jr. A41D 1/21
D24/190
D902,526 S * 11/2020 Resca D2/627
10,856,596 B1 * 12/2020 Banas A44B 19/301
D910,273 S * 2/2021 Wexelbaum A61F 13/10
D2/639
2011/0072559 A1 * 3/2011 Middleton A41F 9/025
2/311
2014/0208485 A1 * 7/2014 Kjar A41D 1/21
2/312
2017/0000249 A1 * 1/2017 Beck A41F 9/002
2020/0253309 A1 * 8/2020 Wexelbaum A41F 9/007
2021/0204659 A1 * 7/2021 Kautz A41F 9/002

* cited by examiner

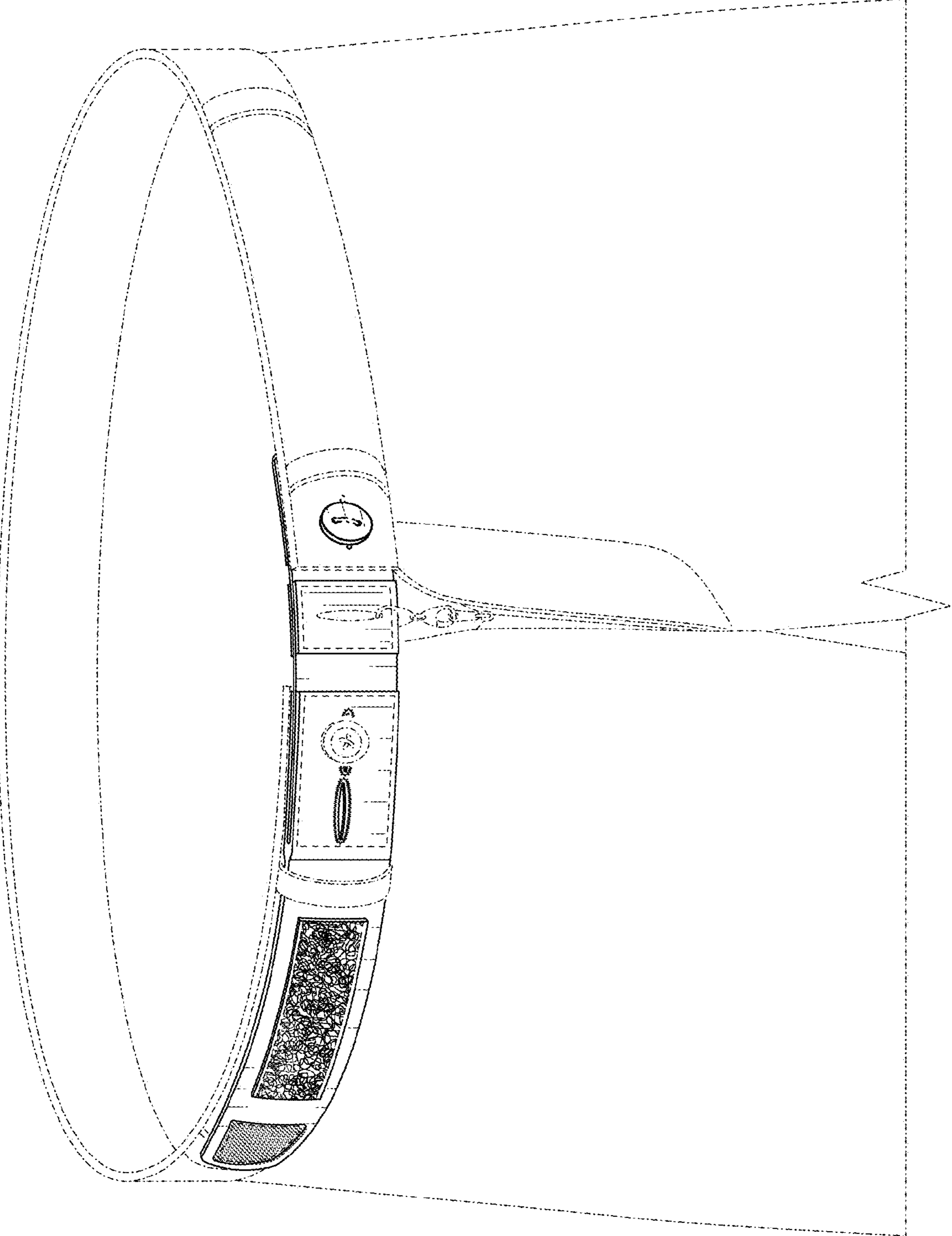


FIG. 1

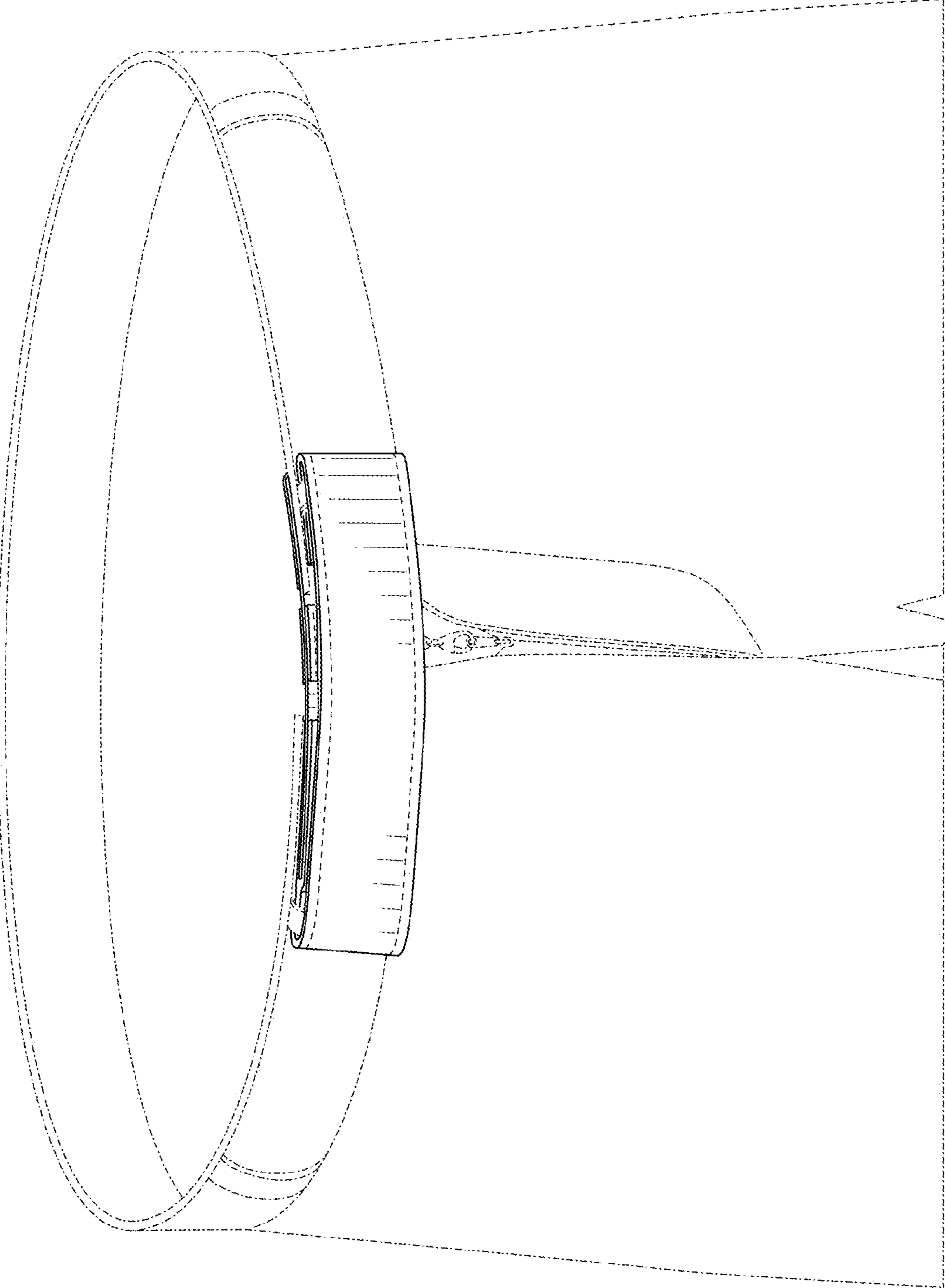


FIG. 2

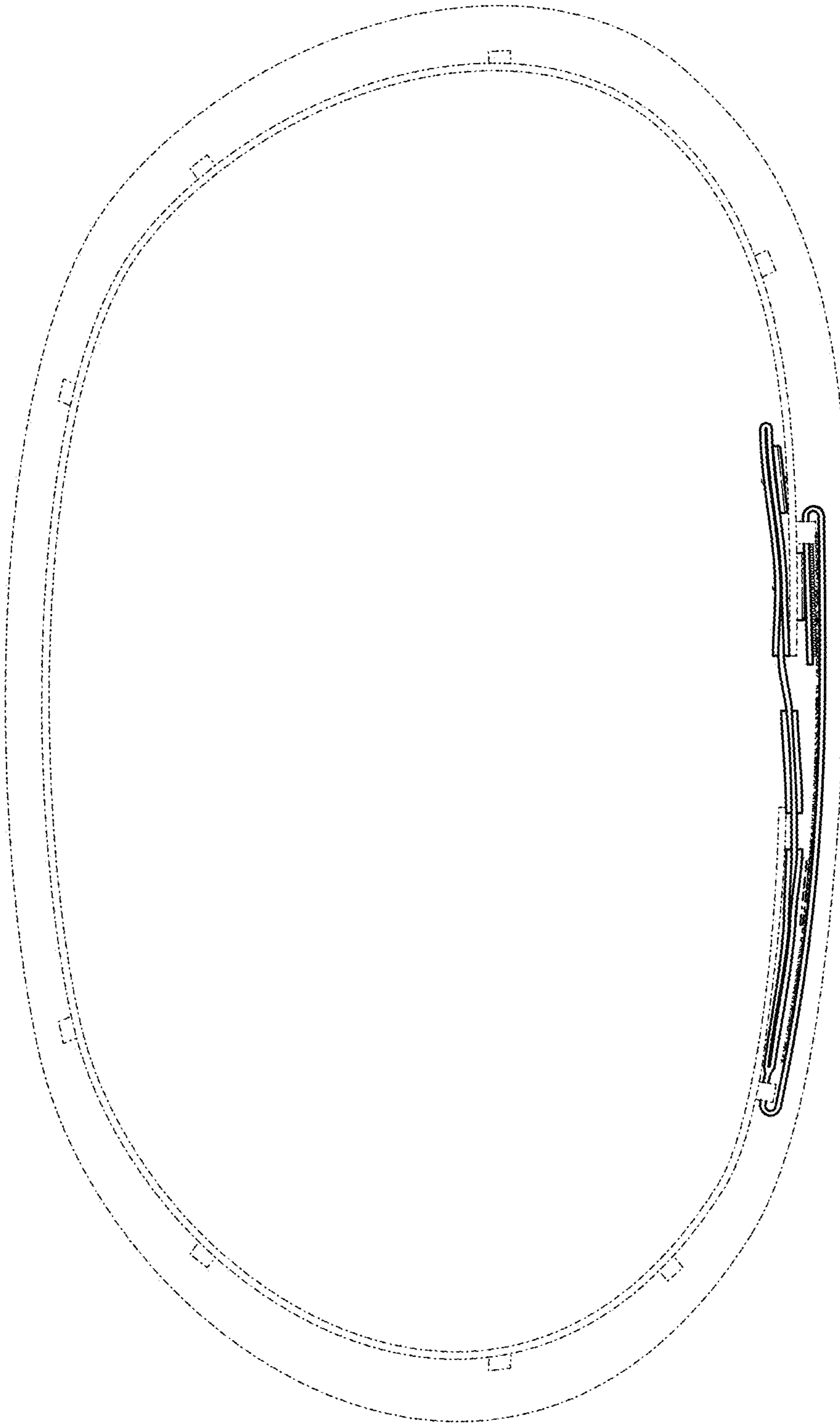


FIG. 3

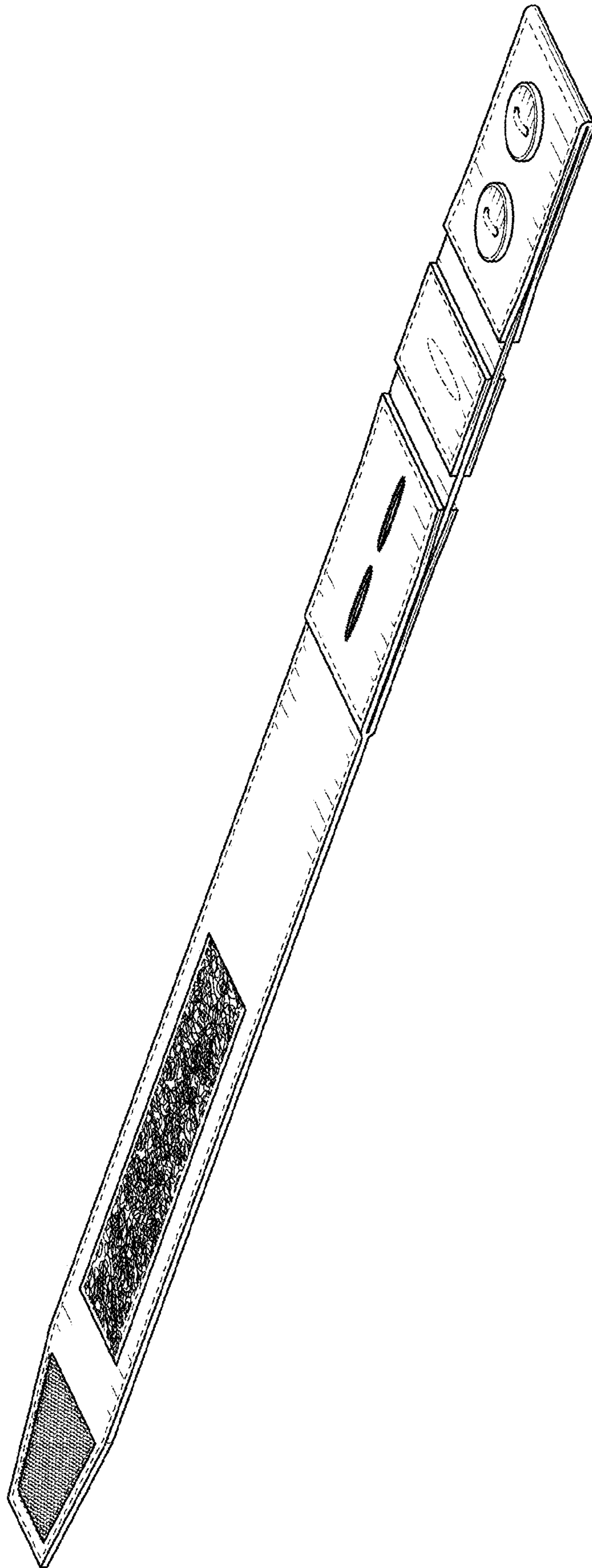


FIG. 4

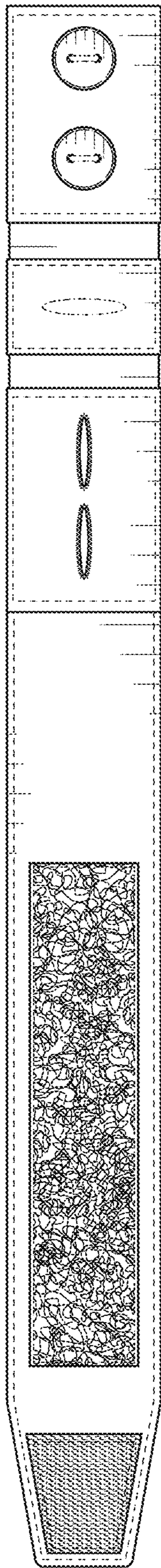


FIG. 5

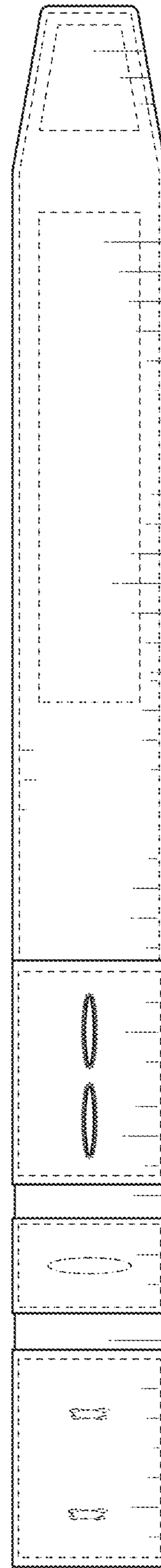


FIG. 6



FIG. 7

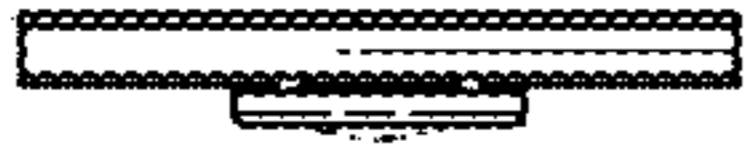


FIG. 8



FIG. 9



FIG. 10