



US00D942732S

(12) **United States Design Patent**
Chen

(10) **Patent No.:** **US D942,732 S**

(45) **Date of Patent:** **** Feb. 1, 2022**

(54) **RAMP**

(71) Applicant: **Wang-Chuan Chen**, Taichung (TW)

(72) Inventor: **Wang-Chuan Chen**, Taichung (TW)

(**) Term: **15 Years**

(21) Appl. No.: **29/733,718**

(22) Filed: **May 6, 2020**

(51) **LOC (13) Cl.** **12-05**

(52) **U.S. Cl.**
USPC **D34/32**

(58) **Field of Classification Search**
USPC D34/32, 33
CPC B66F 7/243; B65G 69/28; B65G 69/30;
B65G 69/00; B60T 3/00; A63C 19/02;
A63C 2201/02; A63C 2203/10
See application file for complete search history.

(56) **References Cited**

U.S. PATENT DOCUMENTS

- D663,092 S * 7/2012 Blocker D34/32
- D678,647 S * 3/2013 Parras D34/32
- D706,513 S * 6/2014 LaBarbera D34/32

- D711,062 S * 8/2014 Chen D34/32
- D735,435 S * 7/2015 Guido, III D34/32
- 9,675,869 B1 * 6/2017 Chin A63C 19/10
- 10,166,459 B1 * 1/2019 Chen A63C 19/10

* cited by examiner

Primary Examiner — Cynthia Ramirez

(74) *Attorney, Agent, or Firm* — Karin L. Williams; Alan D. Kamrath; Mayer & Williams PC

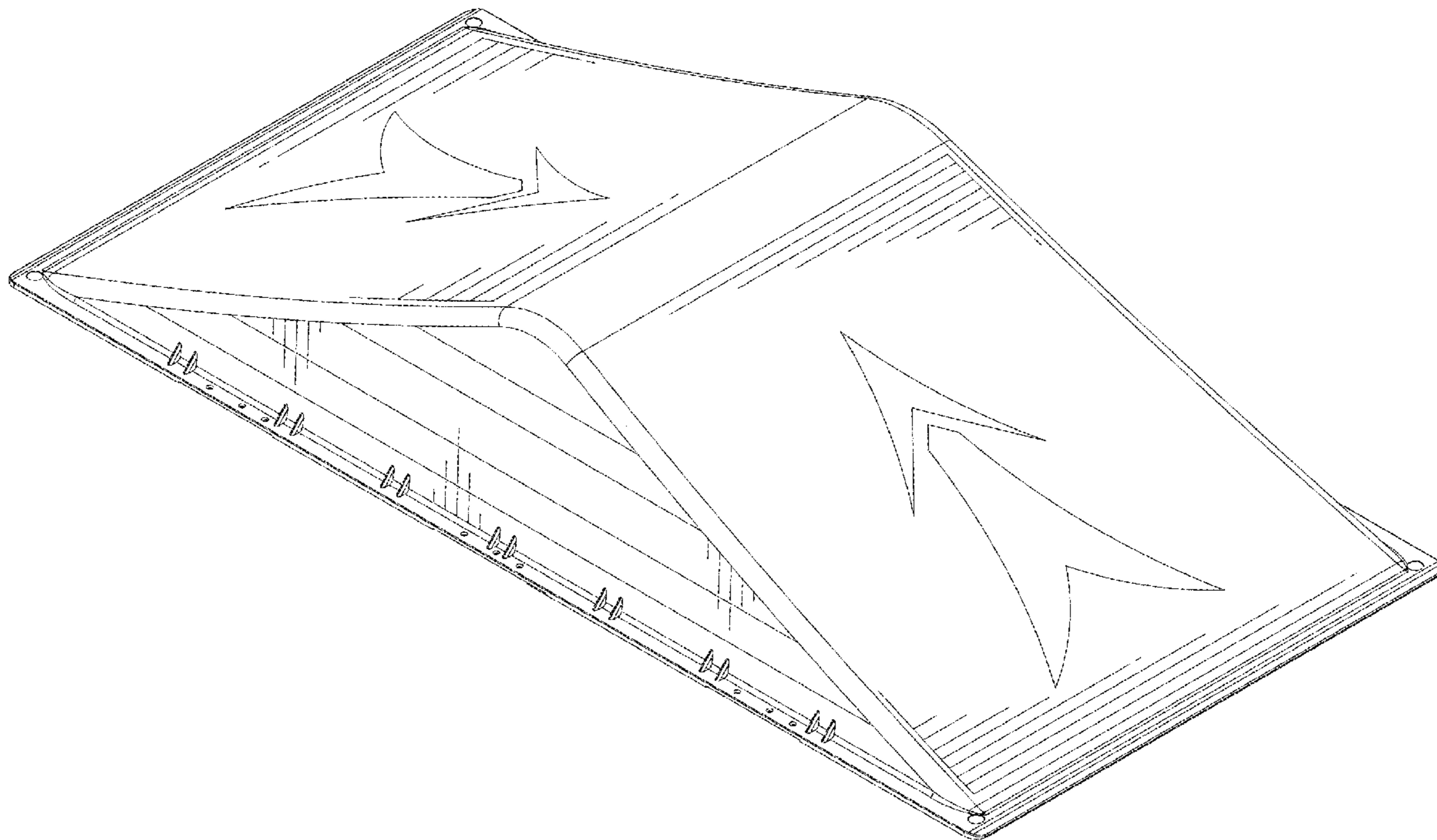
(57) **CLAIM**

The ornamental design for a ramp, as shown and described.

DESCRIPTION

FIG. 1 is a perspective view of a ramp showing my new design;
 FIG. 2 is a front view thereof;
 FIG. 3 is a rear view thereof;
 FIG. 4 is a left view thereof;
 FIG. 5 is a right view thereof;
 FIG. 6 is a top view thereof; and,
 FIG. 7 is a bottom view thereof.
 The broken lines in the figures show portions of the ramp that form no part of the claimed design.

1 Claim, 7 Drawing Sheets



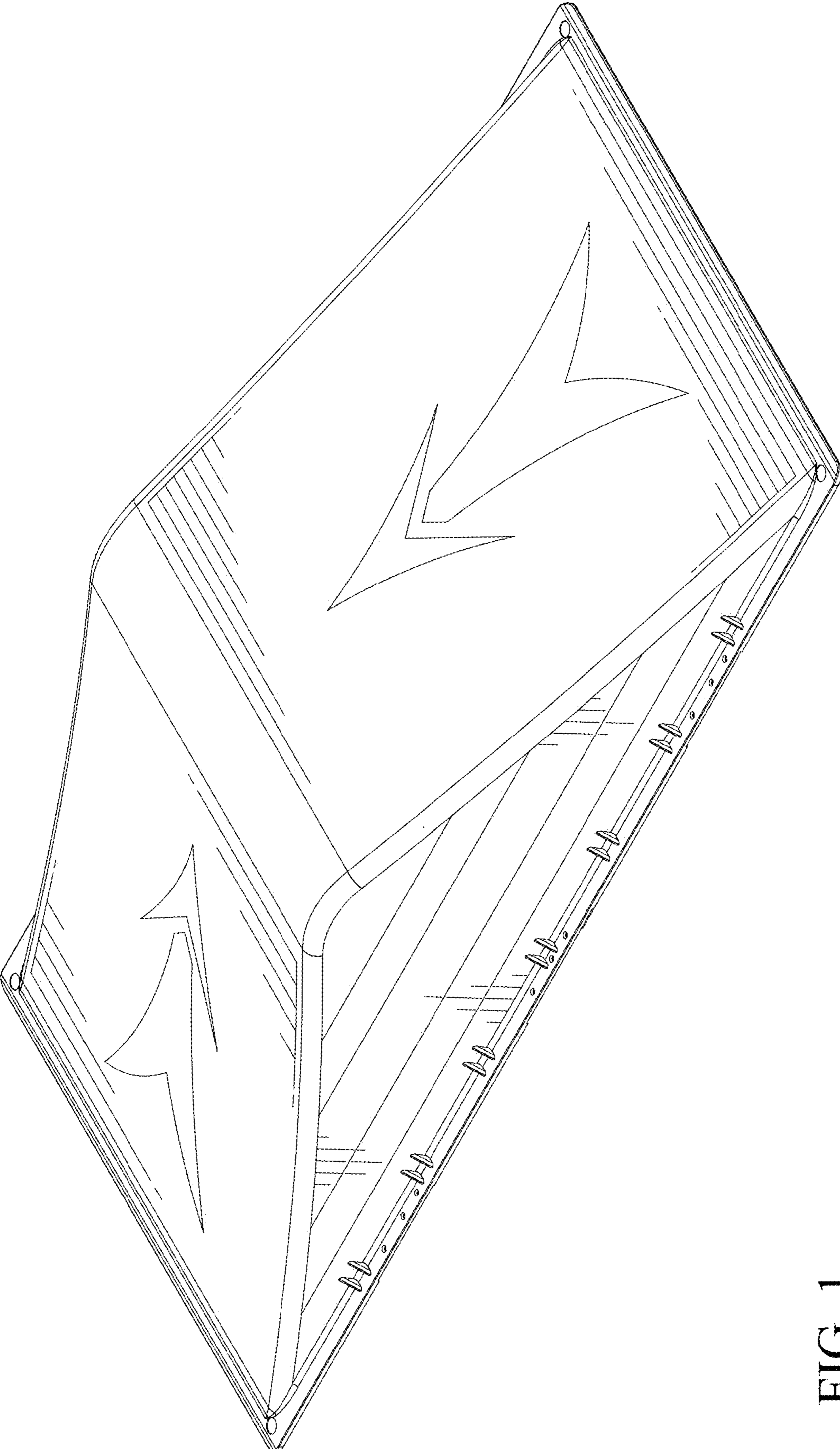


FIG. 1

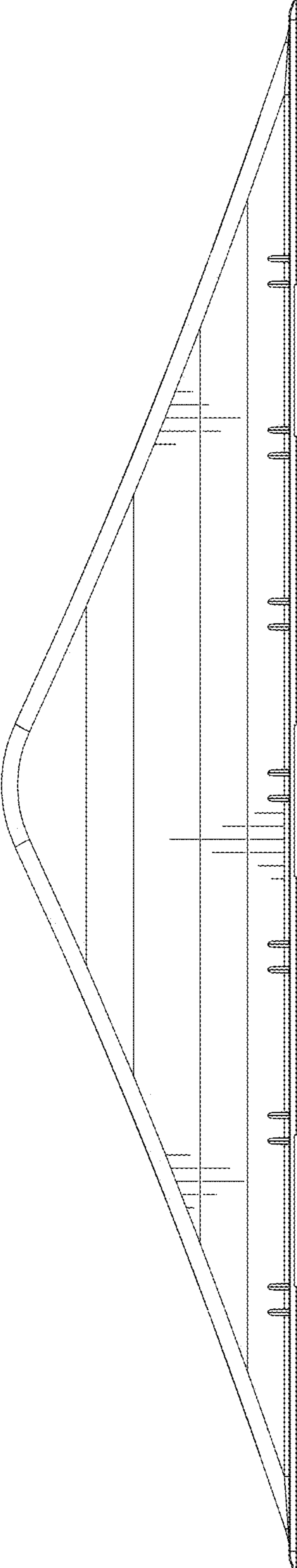


FIG. 2

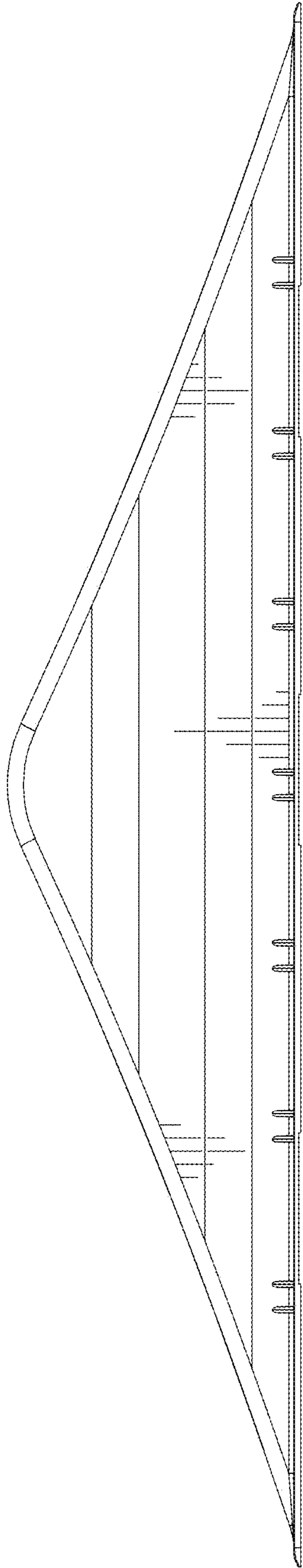


FIG. 3

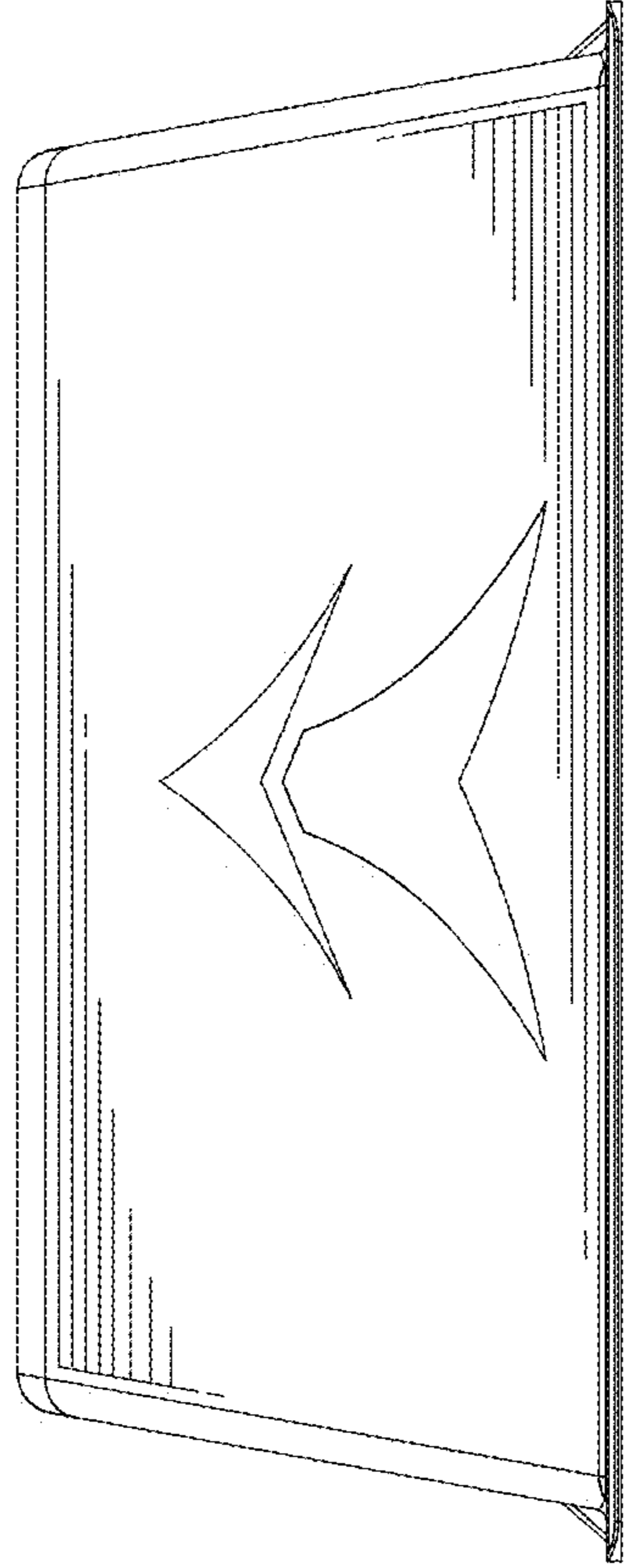


FIG. 4

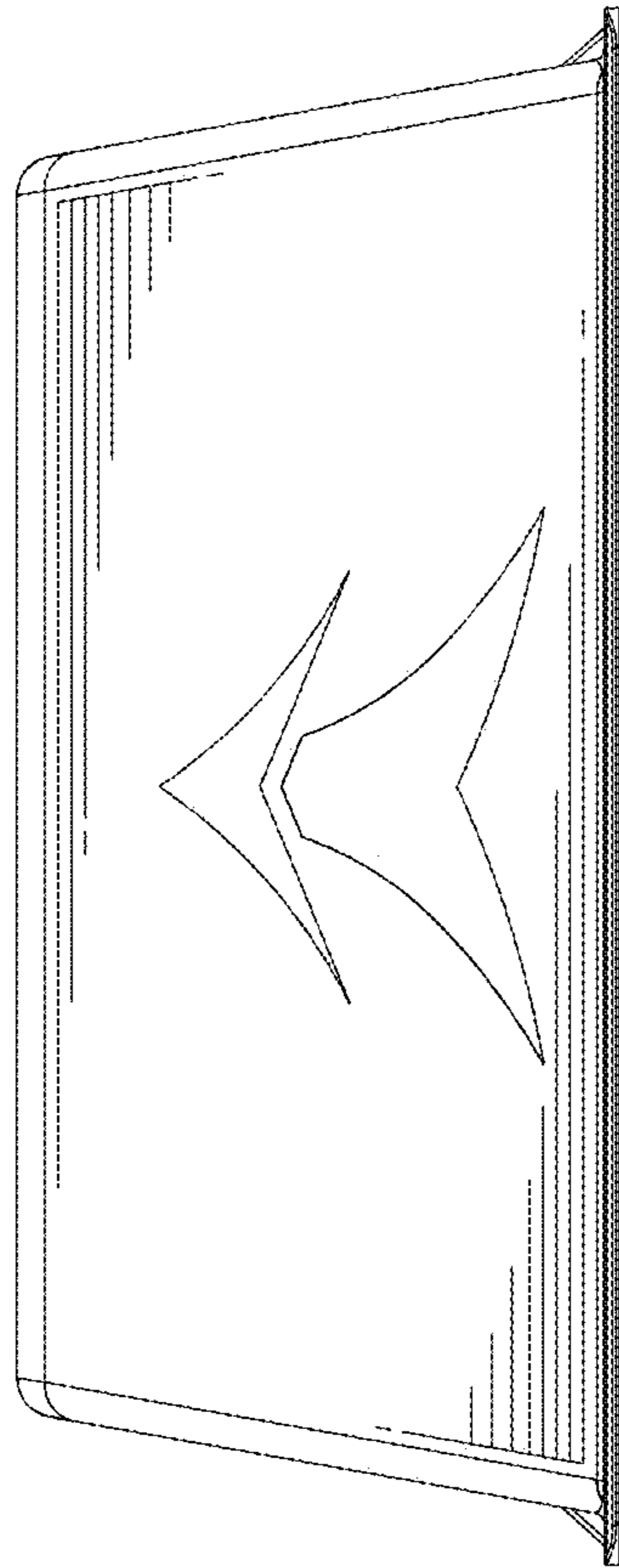


FIG. 5

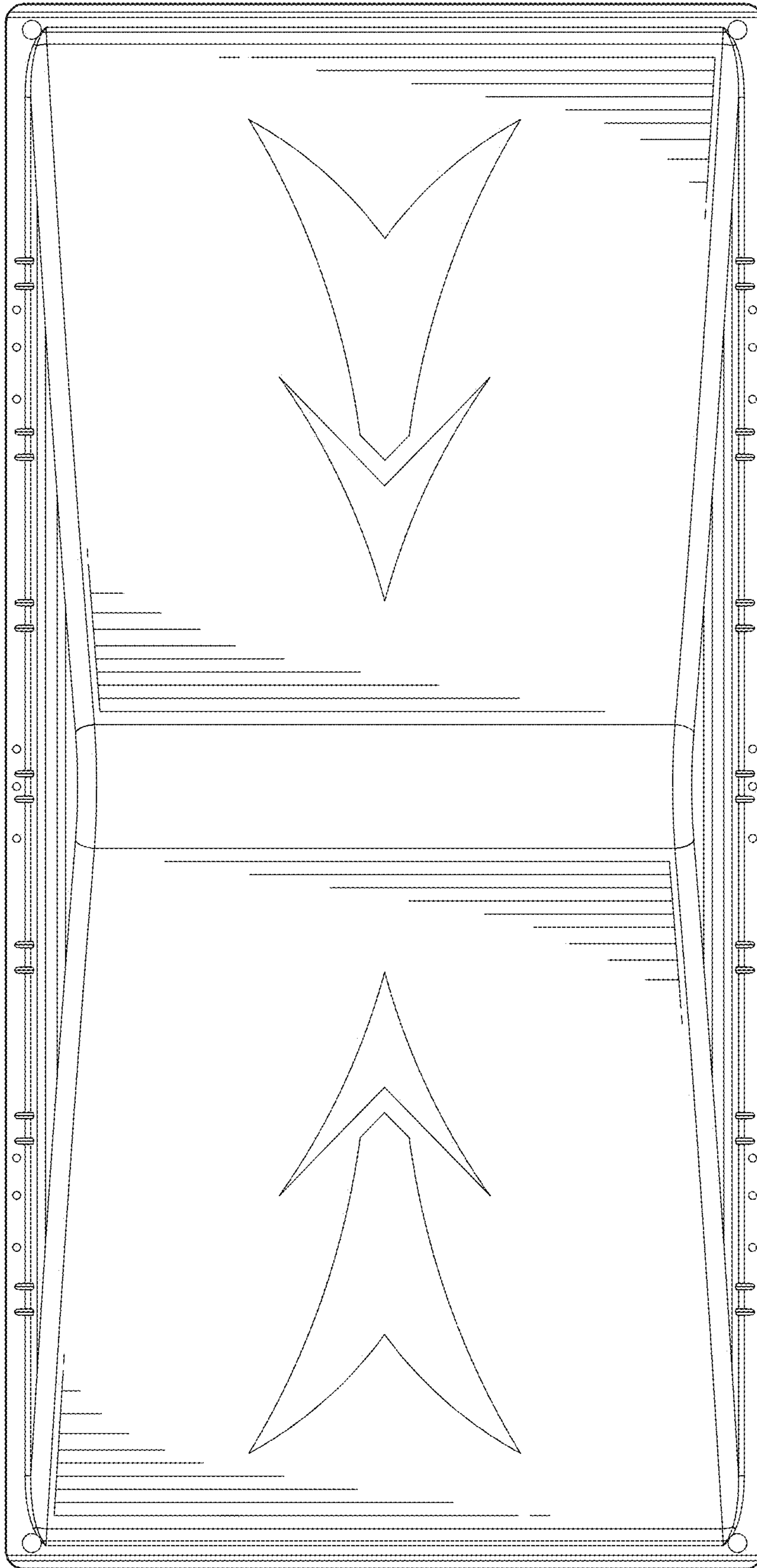


FIG. 6

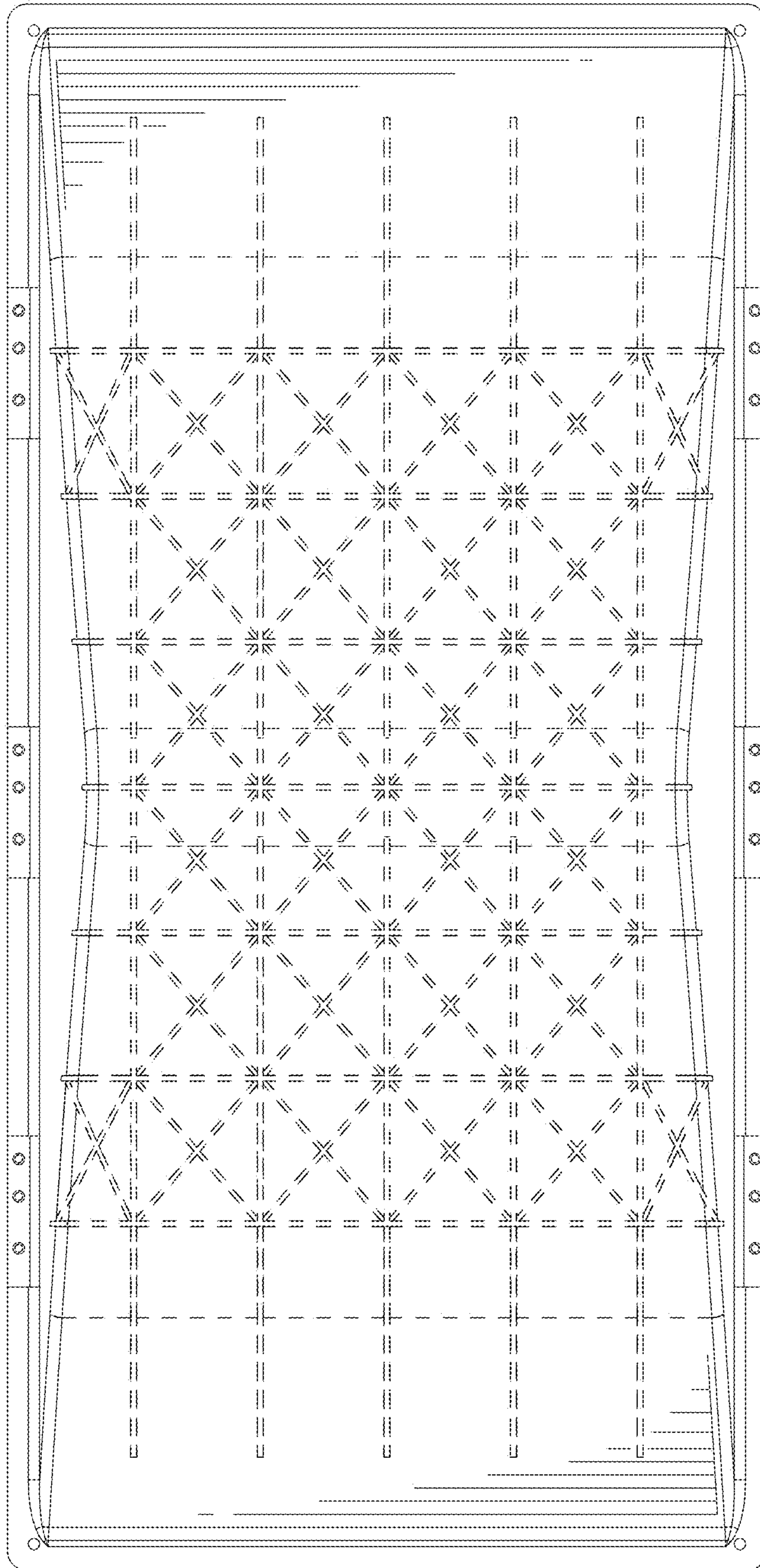


FIG. 7