

US00D942731S

(12) **United States Design Patent** (10) **Patent No.:** **US D942,731 S**  
**Hsu** (45) **Date of Patent:** **\*\* Feb. 1, 2022**

(54) **STORAGE RACK**  
(71) Applicant: **L&F PLASTICS, CO., LTD.**, Miaoli County (TW)  
(72) Inventor: **Mu-Chuan Hsu**, Miaoli County (TW)  
(73) Assignee: **L&F PLASTICS, CO., LTD.**, Miaoli County (TW)  
(\*\*) Term: **15 Years**  
(21) Appl. No.: **29/736,296**  
(22) Filed: **May 29, 2020**  
(51) **LOC (13) Cl.** ..... **12-02**  
(52) **U.S. Cl.**  
USPC ..... **D34/21**  
(58) **Field of Classification Search**  
USPC ..... D34/12, 17, 20, 21  
CPC ..... B62B 1/186; B62B 1/125; B62B 1/262;  
B62B 1/264; B62B 1/14; B62B 3/02;  
B62B 3/06; B62B 3/10; B62B 3/14;  
B62B 3/006; B62B 1/12; B62B 1/20  
See application file for complete search history.

D846,825 S \* 4/2019 Cao ..... D34/21  
D850,753 S \* 6/2019 Cao ..... D34/21  
D852,448 S \* 6/2019 Hu ..... D34/21  
D898,319 S \* 10/2020 Strandmark ..... D34/21  
D899,826 S \* 10/2020 Cheng ..... D6/675.1  
D901,123 S \* 11/2020 Liu ..... D34/21  
D901,816 S \* 11/2020 Liu ..... D34/21  
D902,521 S \* 11/2020 Tsai ..... D34/21  
D919,918 S \* 5/2021 Liu ..... D34/21  
D920,619 S \* 5/2021 Cao ..... D34/21  
D922,021 S \* 6/2021 Phillips ..... D34/21  
D922,023 S \* 6/2021 Chen ..... D34/21  
D926,415 S \* 7/2021 Su ..... D34/21  
2014/0217690 A1 \* 8/2014 Schumaker ..... A47B 31/00  
280/47.35

\* cited by examiner

*Primary Examiner* — Cynthia Ramirez

(74) *Attorney, Agent, or Firm* — Karin L. Williams; Alan D. Kamrath; Mayer & Williams PC

(57) **CLAIM**

I claim the ornamental design for a storage rack, substantially as shown and described.

**DESCRIPTION**

FIG. 1 is a perspective view of a storage rack showing my new design;

FIG. 2 is a front view thereof;

FIG. 3 is a rear view thereof;

FIG. 4 is a left side view thereof, and its right side view being a mirror image thereof;

FIG. 5 is a top view thereof; and,

FIG. 6 is a bottom view thereof.

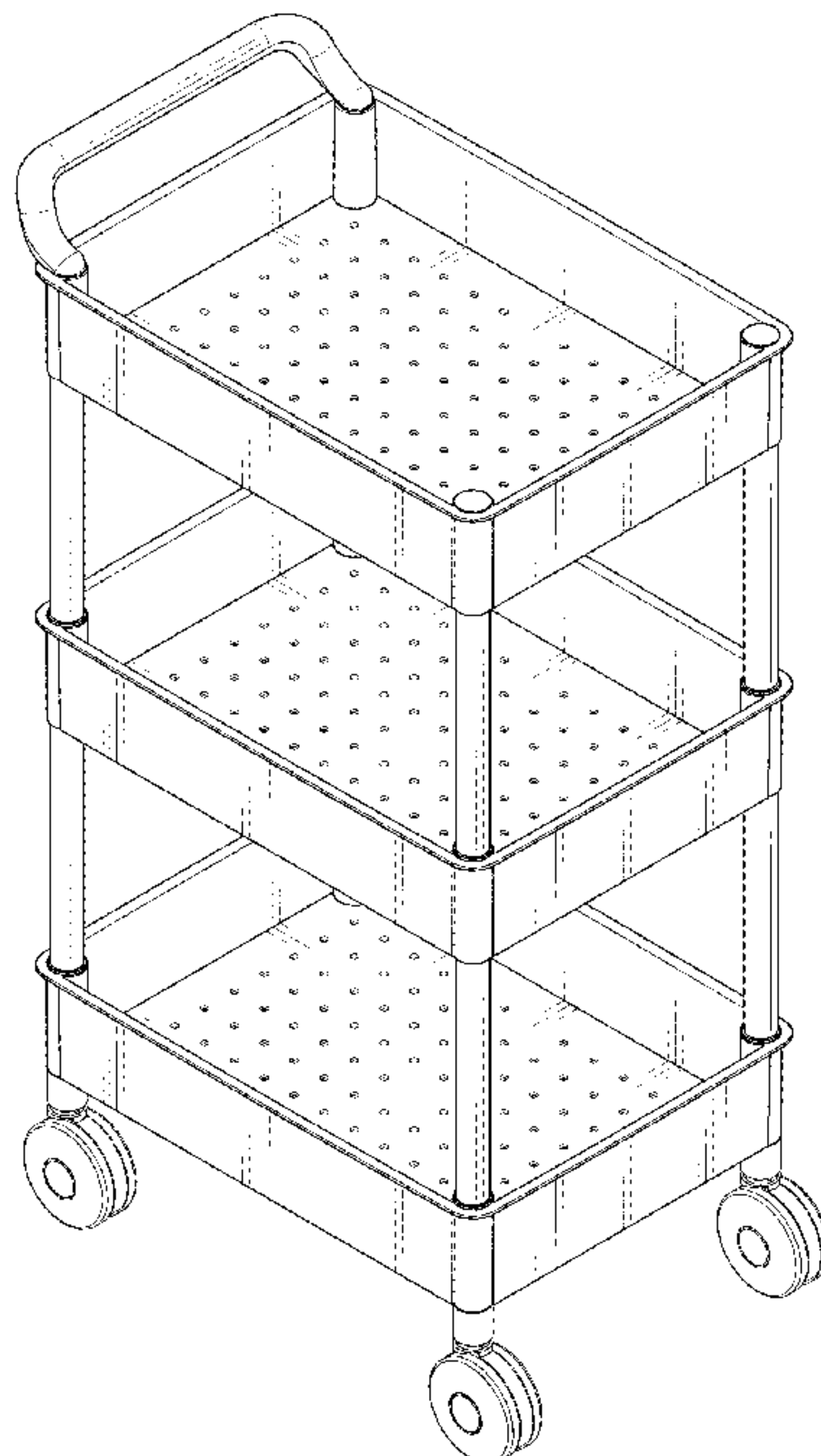
The broken lines shown in FIG. 6 are included for the purpose of illustrating portions of the storage rack, which form no part of the claimed design.

**1 Claim, 6 Drawing Sheets**

(56) **References Cited**

U.S. PATENT DOCUMENTS

4,763,799 A \* 8/1988 Cohn ..... A47B 31/00  
108/147.13  
D554,323 S \* 10/2007 Roth ..... D34/12  
D561,972 S \* 2/2008 Roever ..... D34/17  
D675,394 S \* 1/2013 Pedersen ..... D34/17  
D710,064 S \* 7/2014 Schumaker ..... D34/17  
D748,359 S \* 1/2016 Lustig ..... D34/21  
D831,292 S \* 10/2018 Thuma ..... D34/12  
D832,549 S \* 10/2018 Cao ..... D34/21  
D846,824 S \* 4/2019 Cao ..... D34/21



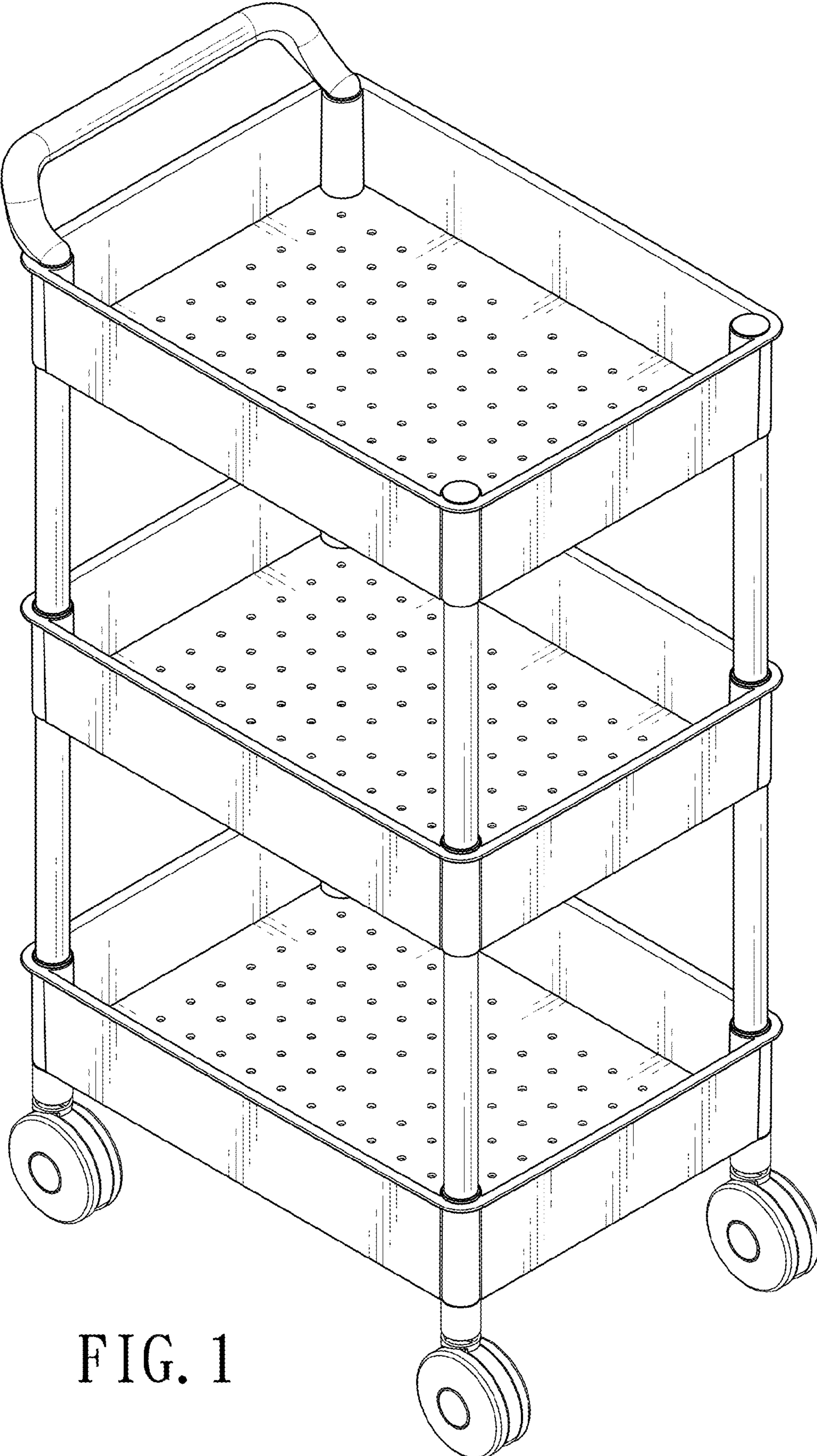


FIG. 1

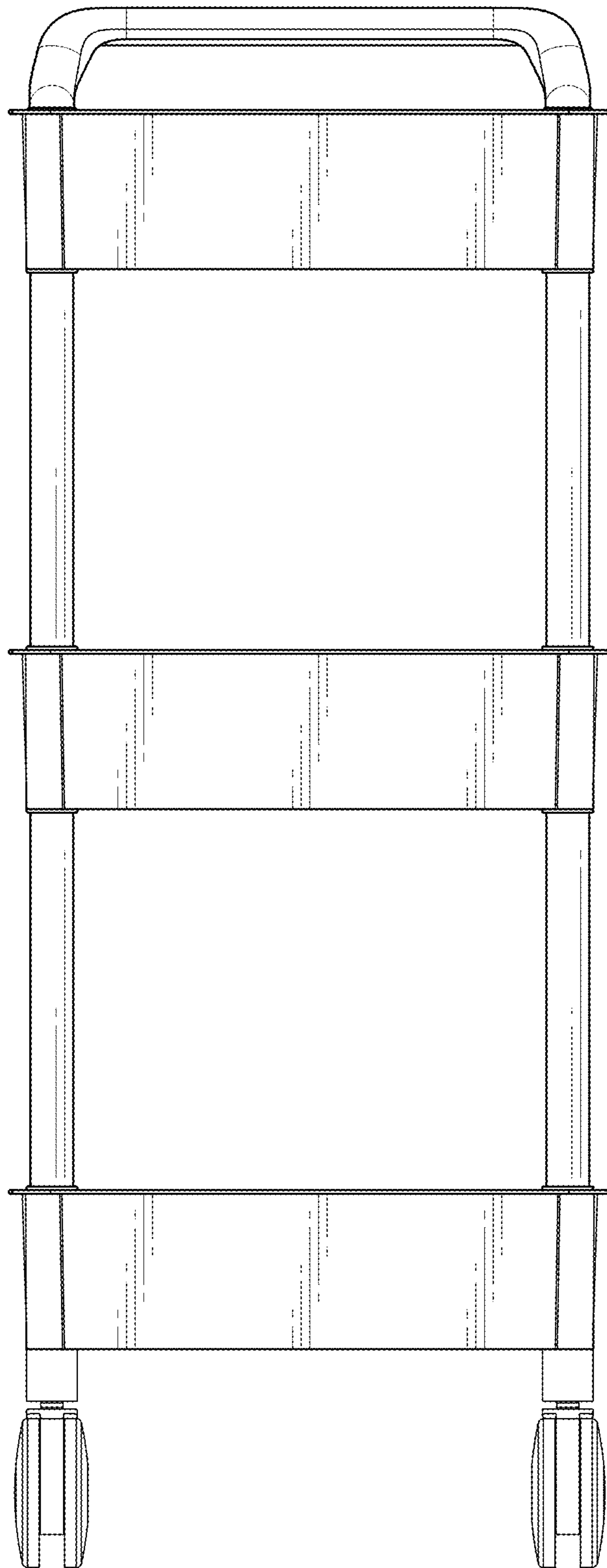


FIG. 2

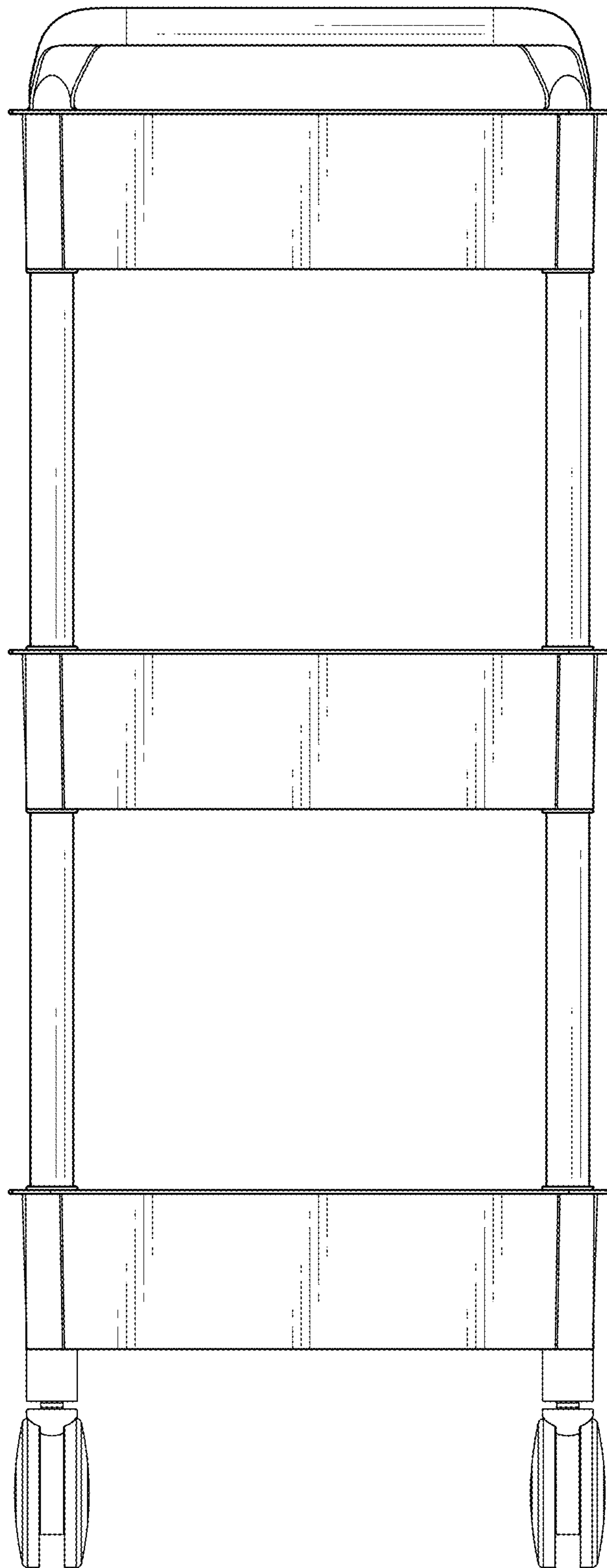


FIG. 3



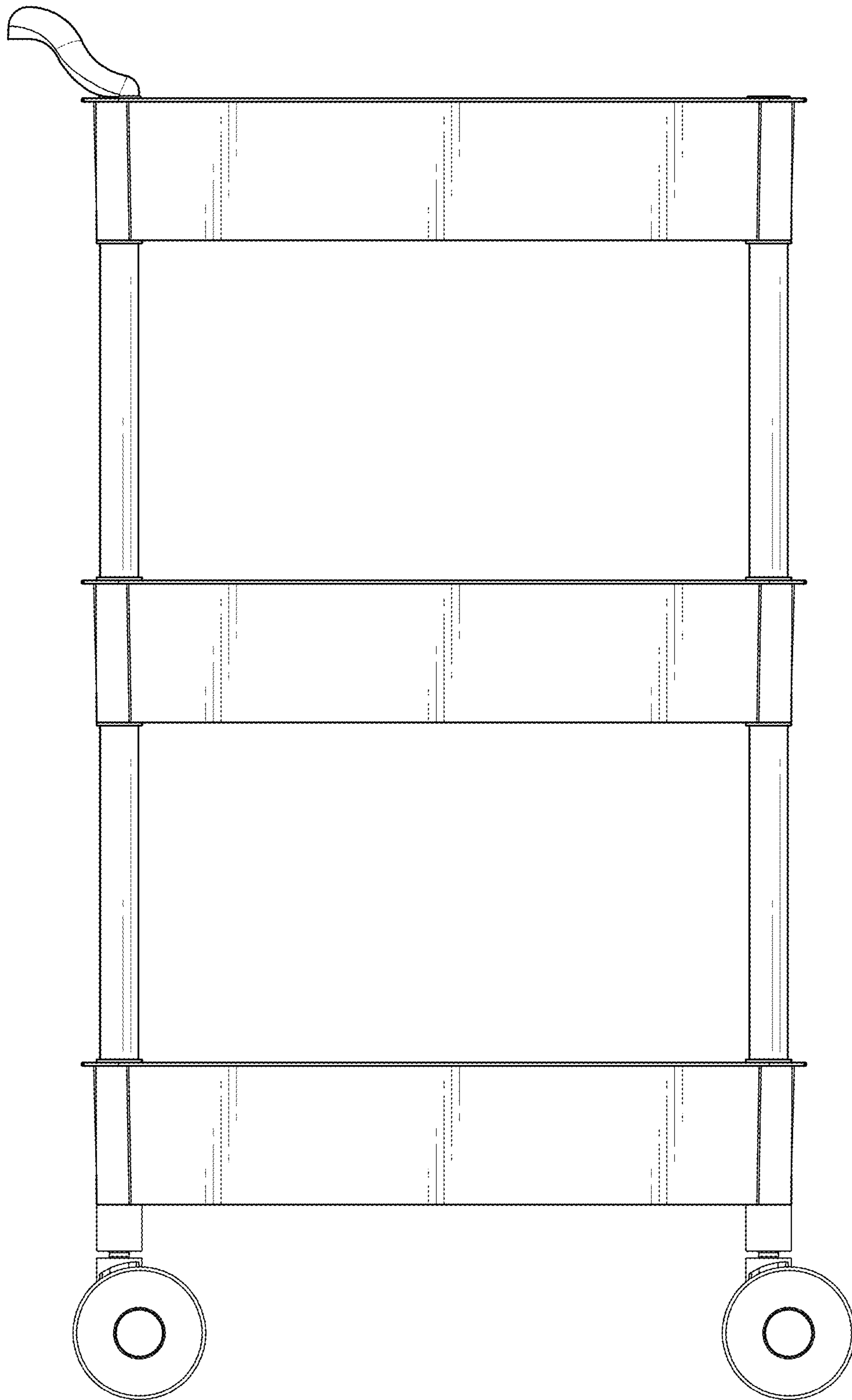


FIG. 4

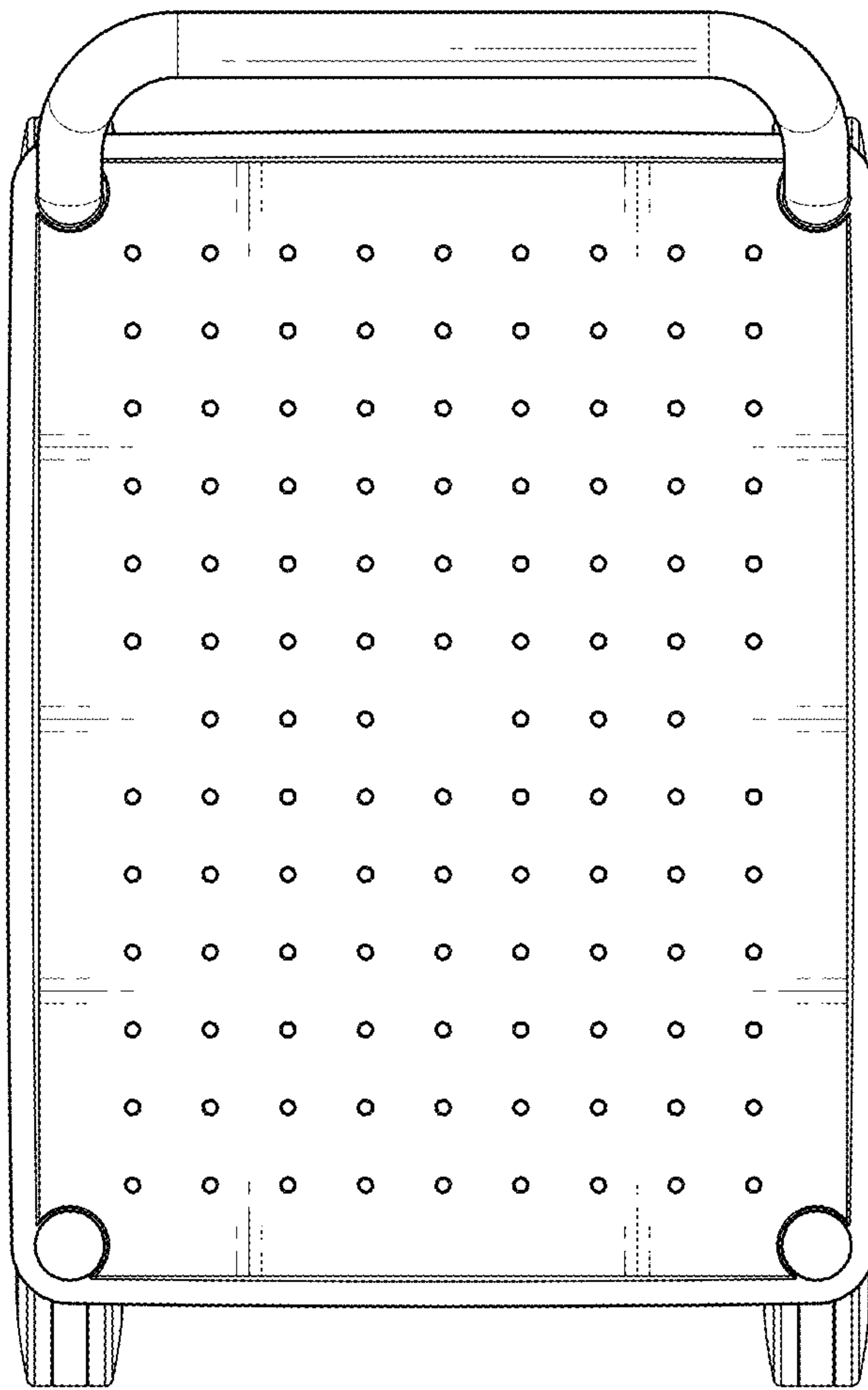


FIG. 5

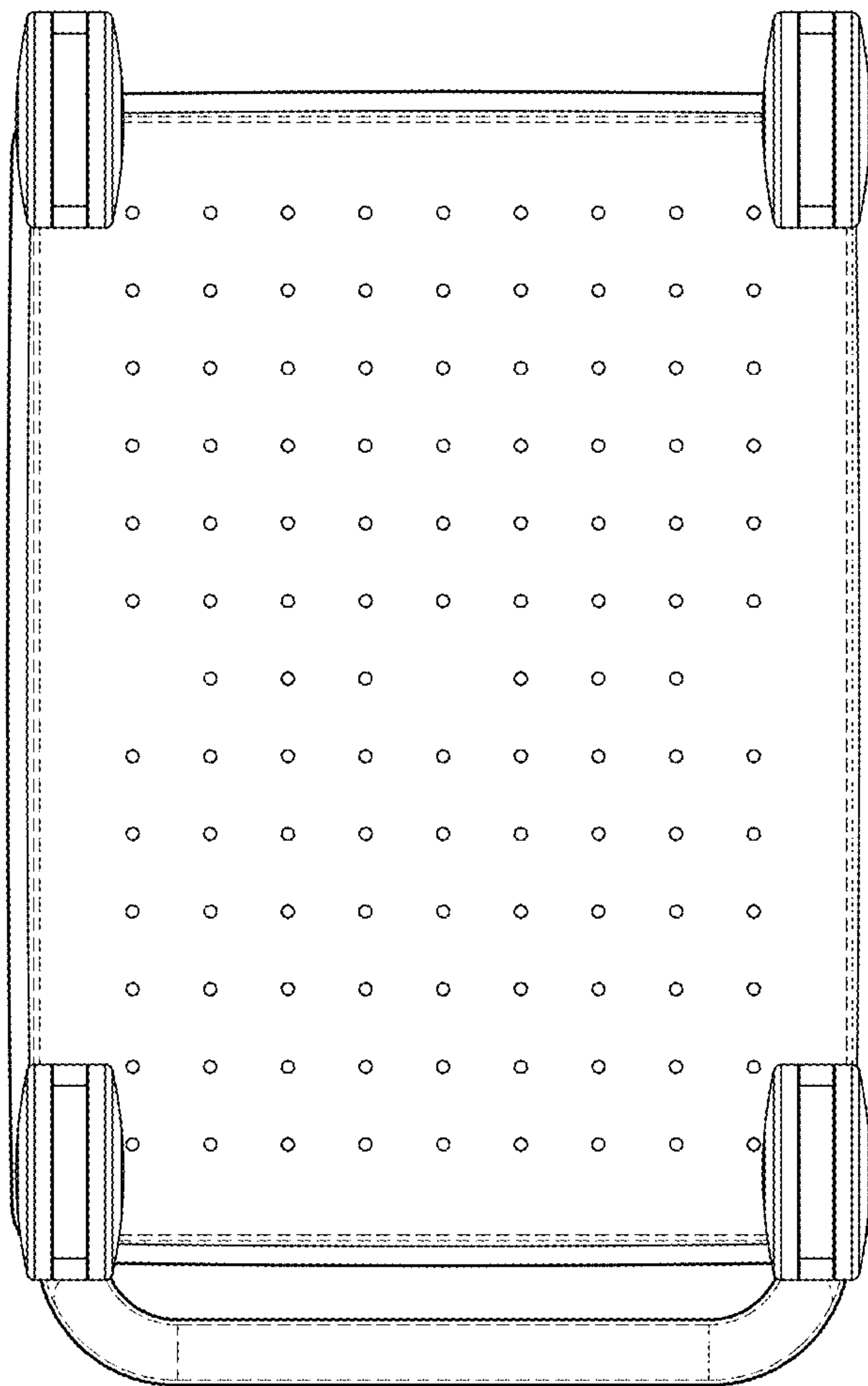


FIG. 6