



US00D942729S

(12) **United States Design Patent** (10) **Patent No.:** **US D942,729 S**
Howze et al. (45) **Date of Patent:** **** Feb. 1, 2022**

(54) **FOOD TRAY CART**
(71) Applicants: **Dion Howze**, Redford, MI (US);
Denisha Howze, Redford, MI (US)
(72) Inventors: **Dion Howze**, Redford, MI (US);
Denisha Howze, Redford, MI (US)
(**) Term: **15 Years**
(21) Appl. No.: **29/729,893**
(22) Filed: **Mar. 31, 2020**
(51) **LOC (13) Cl.** **12-02**
(52) **U.S. Cl.**
USPC **D34/14**
(58) **Field of Classification Search**
USPC D34/12, 14, 20, 21, 17, 19, 25
CPC B62B 1/112; B62B 1/006; B62B 1/262;
B62B 1/264; B62B 1/14; B62B 1/125;
B62B 3/002; B62B 3/005; B62B 3/029;
B62B 3/02; B62B 3/1408; B62B 3/146;
B62B 3/142; B62B 3/10; B62B 3/12;
B62B 3/14; B62B 3/1492; B62B 3/165;
B62B 2501/065; A47B 31/00; A47B
31/006; A47B 31/02; A47B 2031/002
See application file for complete search history.

7,975,643 B1 7/2011 Johnson
D739,538 S * 9/2015 Bernal D24/185
D806,340 S * 12/2017 Stalter D34/14
D861,879 S * 10/2019 Houlihan D24/185
D894,402 S * 8/2020 Couch D24/185
D894,403 S * 8/2020 Couch D24/185
D898,319 S * 10/2020 Strandmark D34/21
D899,826 S * 10/2020 Cheng D6/675.1
D901,122 S * 11/2020 Lee D34/21
D901,123 S * 11/2020 Liu D34/21
D901,816 S * 11/2020 Liu D34/21
D902,521 S * 11/2020 Tsai D34/21
D908,303 S * 1/2021 Prince D34/17
D919,098 S * 5/2021 Couch D24/185
D919,099 S * 5/2021 Couch D24/185
D930,934 S * 9/2021 Hale D34/14
2012/0217710 A1 * 8/2012 Houlihan B62B 3/008
280/35
2013/0200579 A1 * 8/2013 Abernethy B62B 5/04
280/6.15
2014/0084558 A1 * 3/2014 Ergun A47B 21/0314
280/47.35
2017/0141597 A1 * 5/2017 Mifsud F16M 11/42
(Continued)

Primary Examiner — Cynthia Ramirez

(57) **CLAIM**

The ornamental design for a food tray cart, as shown and described.

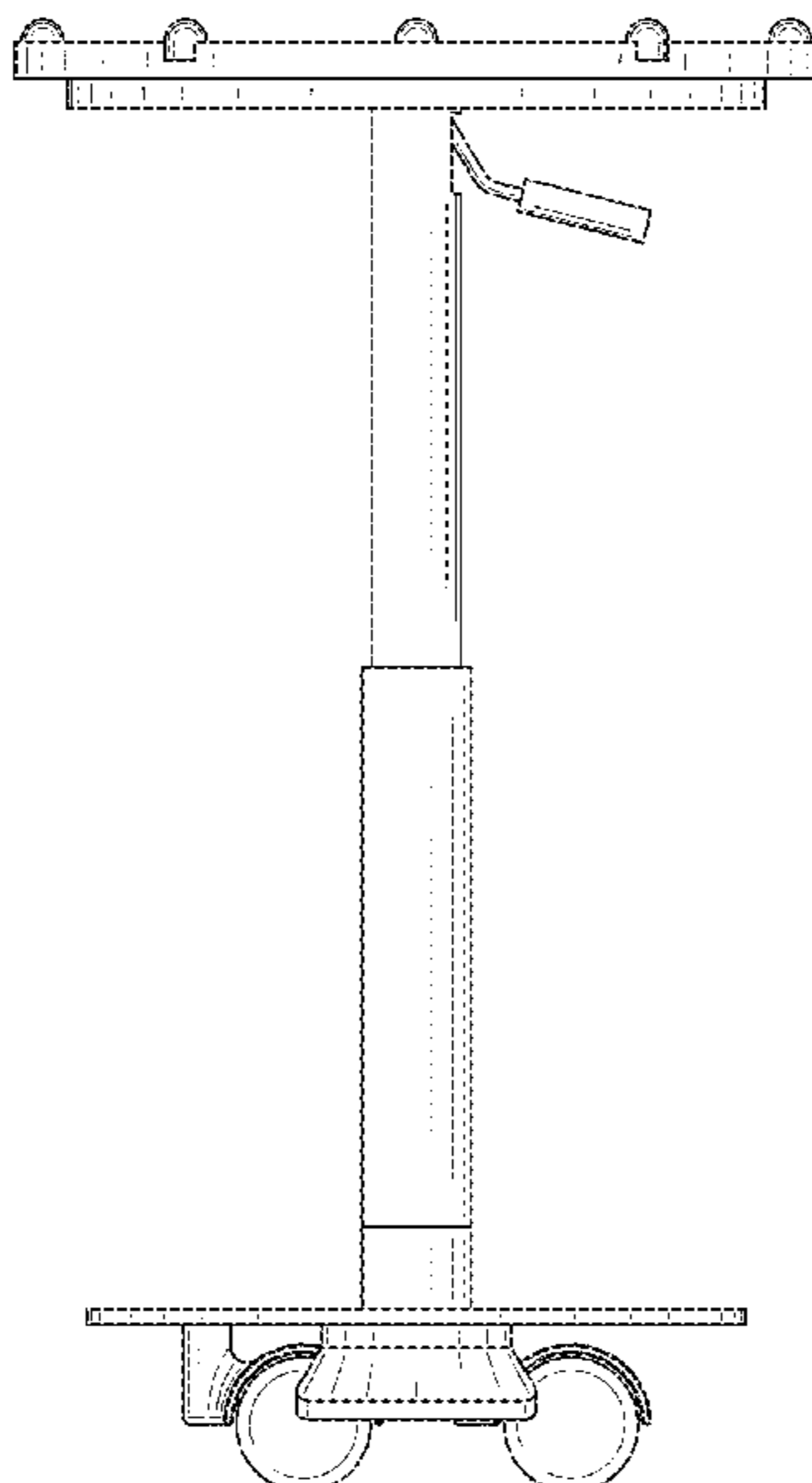
DESCRIPTION

(56) **References Cited**
U.S. PATENT DOCUMENTS

1,472,348 A 10/1923 Whitmore
2,192,102 A 2/1940 Pinto
3,099,356 A 9/1963 Burnett
3,436,092 A 4/1969 Werner
3,972,419 A 8/1976 Short
4,478,428 A 10/1984 Zillani
4,645,081 A 2/1987 Korth
4,793,266 A 12/1988 Napolitano
D398,123 S * 9/1998 Dell D34/12
D408,953 S 4/1999 Golichowski
D588,272 S * 3/2009 Meiser D24/185

FIG. 1 is a front view of a food tray cart showing my new design;
FIG. 2 is a rear view of the food tray cart;
FIG. 3 is a right side view of the food tray cart;
FIG. 4 is a left side view of the food tray cart;
FIG. 5 is a top view of the food tray cart;
FIG. 6 is a bottom view of the food tray cart; and,
FIG. 7 is a top front side perspective view of the food tray cart.

1 Claim, 6 Drawing Sheets



(56)

References Cited

U.S. PATENT DOCUMENTS

2018/0192771 A1* 7/2018 Takahashi B62B 3/005
2020/0315324 A1* 10/2020 Fox A45D 19/016

* cited by examiner

FIG. 1

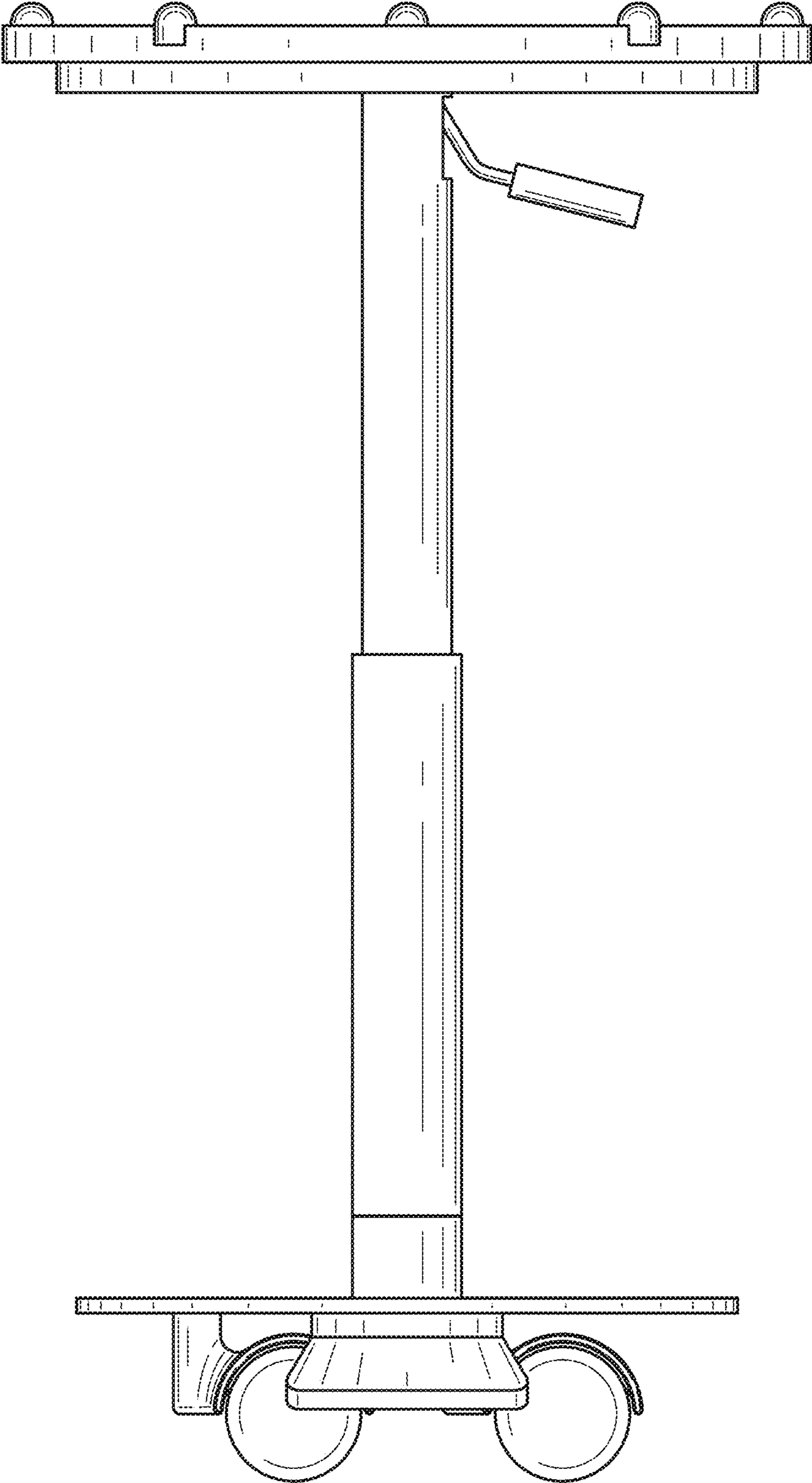


FIG. 2

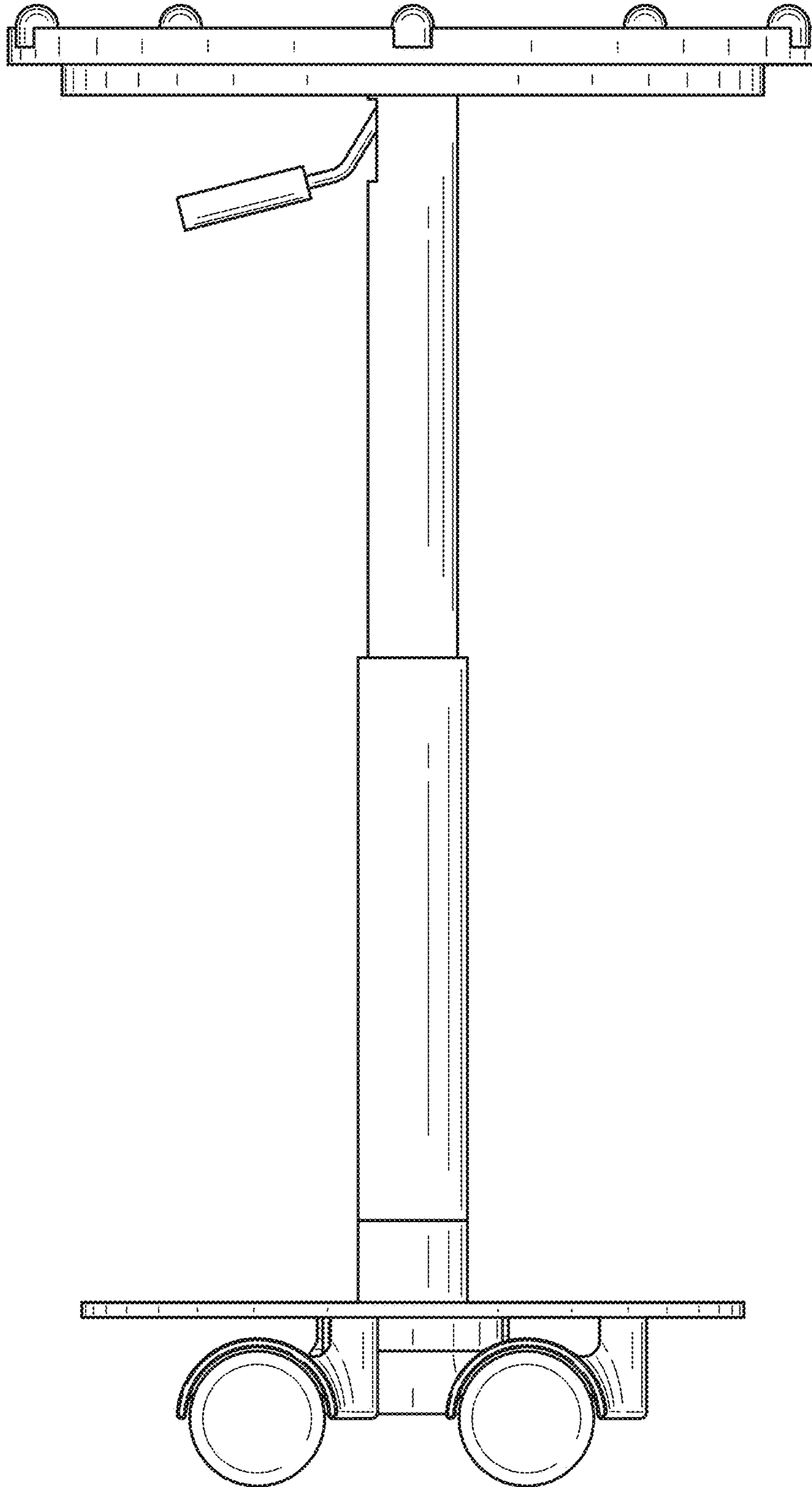


FIG. 3

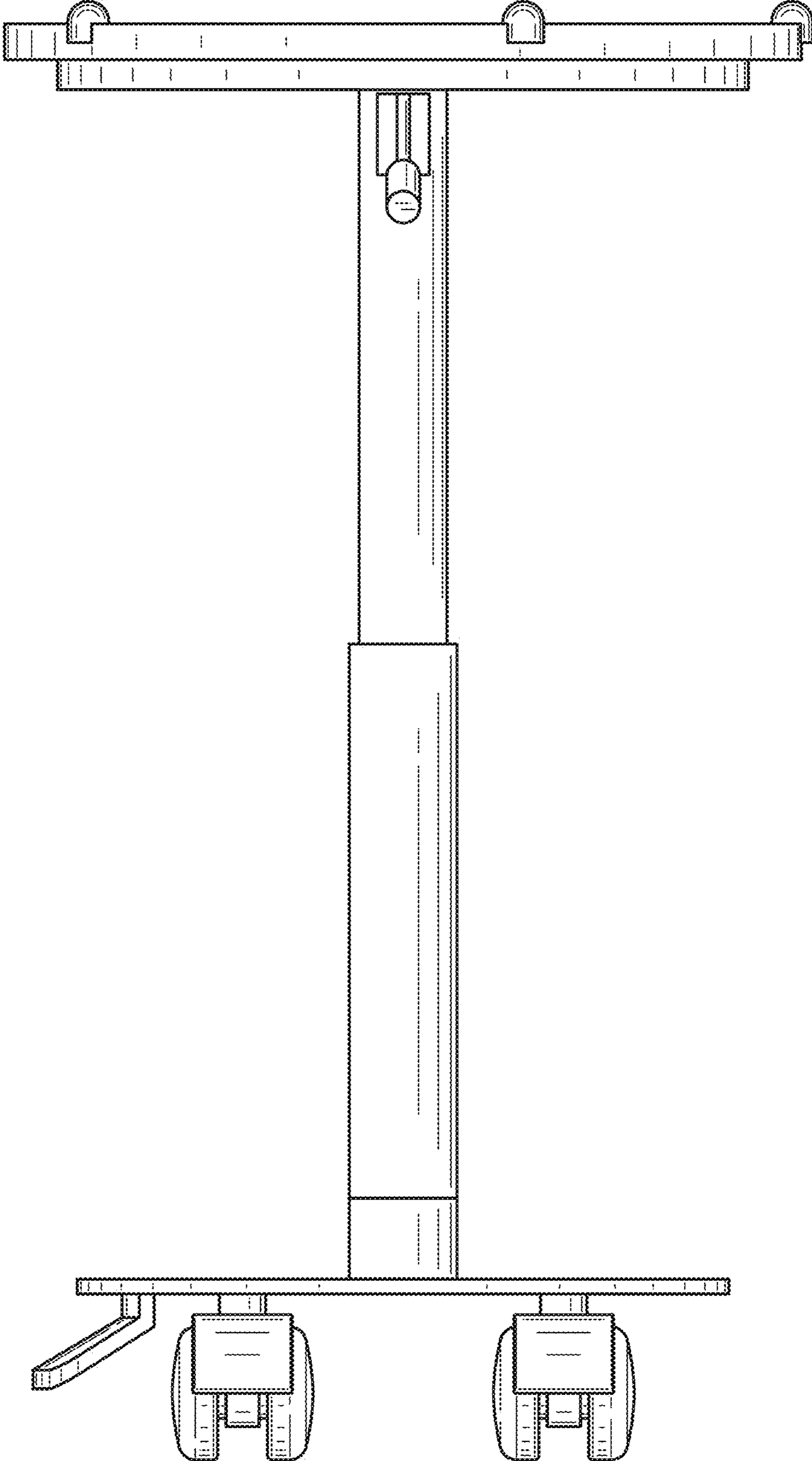


FIG. 4

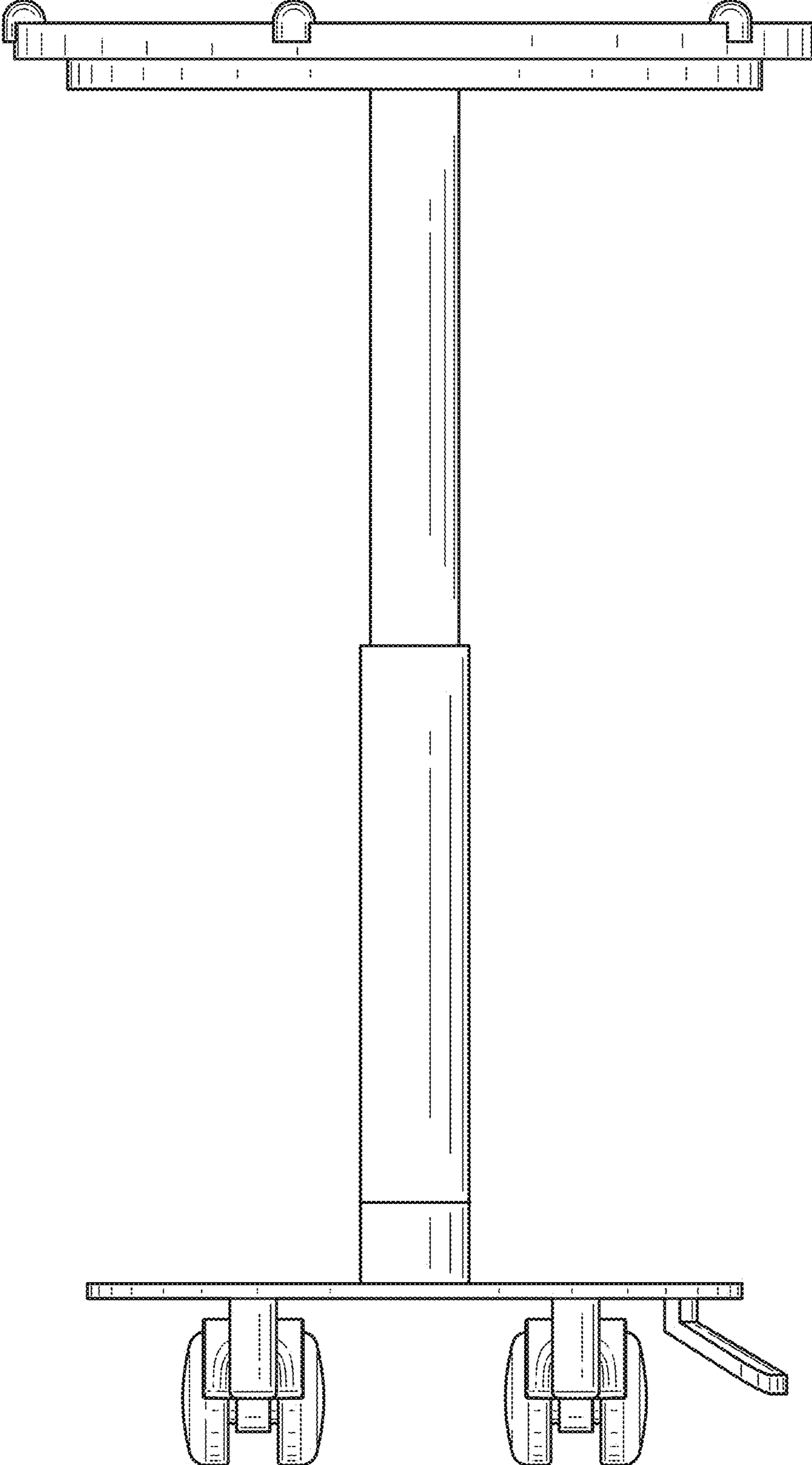


FIG. 5

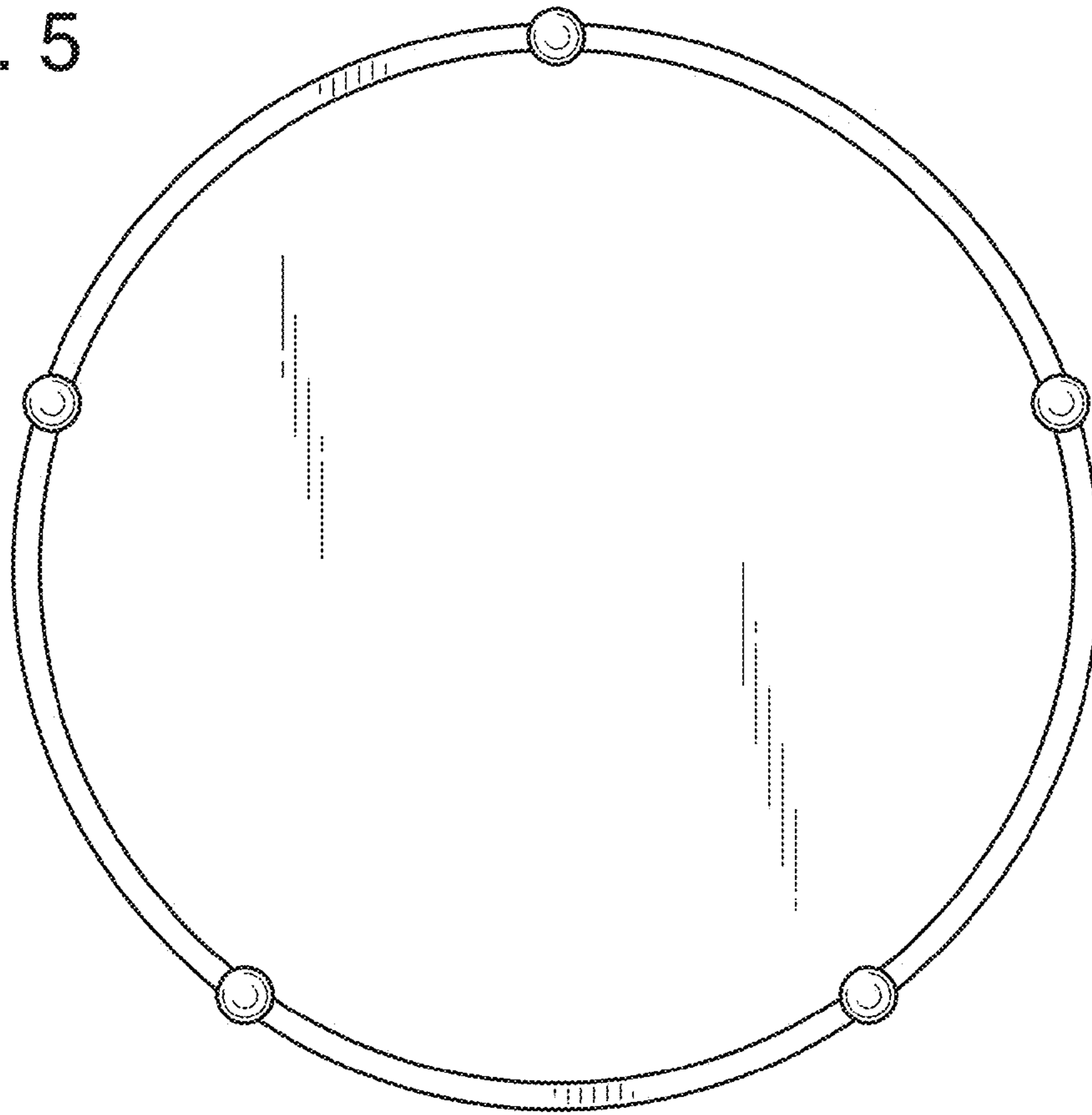


FIG. 6

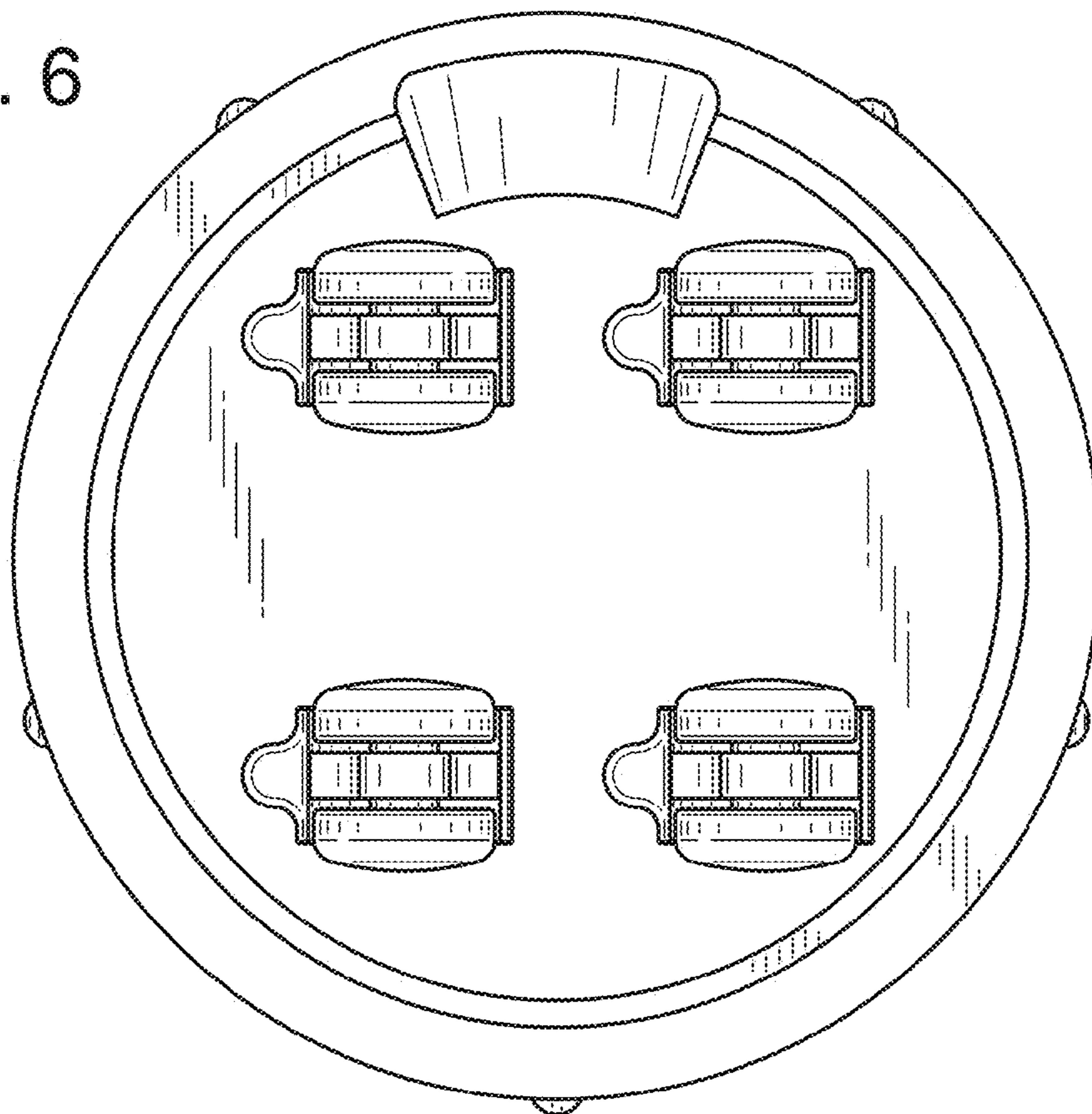


FIG. 7

