



US00D942728S

(12) **United States Design Patent** (10) **Patent No.:** **US D942,728 S**
Xu (45) **Date of Patent:** **** Feb. 1, 2022**

(54) **CAR TRASH CAN**
(71) Applicant: **Fuzhou Huodan Electronic Technology Co., Ltd, Fuzhou (CN)**
(72) Inventor: **Yixuan Xu, Shenzhen (CN)**

D881,655 S * 4/2020 Jacobsen D7/607
D923,423 S * 6/2021 Rong D7/607
D923,424 S * 6/2021 Rong D7/607
D927,260 S * 8/2021 Winters Giesting D7/607
D927,261 S * 8/2021 Rong D7/607
2016/0052710 A1* 2/2016 Butler B65F 1/141
220/560

(**) Term: **15 Years**

OTHER PUBLICATIONS

(21) Appl. No.: **29/760,008**
(22) Filed: **Nov. 27, 2020**
(51) **LOC (13) Cl.** **09-09**
(52) **U.S. Cl.**
USPC **D34/7**
(58) **Field of Classification Search**
USPC D34/1, 7; D3/289; D7/605, 607
CPC B65F 1/006; B65F 1/1607; B65F 1/06;
B65F 1/1426; B65F 1/004; B65F 1/0053;
B65F 1/0066; B65F 1/1468; B65F
1/0046; B65F 1/1615; B65F 1/0173;
B65F 1/067; B65F 1/085; B65F 1/141;
B65F 1/16; F25D 3/02; F25D 3/08; F25D
3/04

Google search Aug. 30, 2021, Xinney leak-proof car trash can with lid and organization side storage pocket, <https://www.walmart.com/ip/Xinney-Leak-Proof-Car-Trash-Can-with-Lid-and-Organization-Side-Storage-Pocket-Black-2-4-Gallons/739439681> (Year: 2021).*
Google search Aug. 30, 2021, Waterproof car trash can garbage bin, <https://www.amazon.com/Waterproof-Garbage-Storage-Pockets-Organizer/dp/B0921Z24GR> (Year: 2021).*

* cited by examiner

Primary Examiner — Cynthia Ramirez
(74) *Attorney, Agent, or Firm* — Rumit Ranjit Kanakia

(57) **CLAIM**

I claim the ornamental design for a car trash can, as shown and described.

See application file for complete search history.

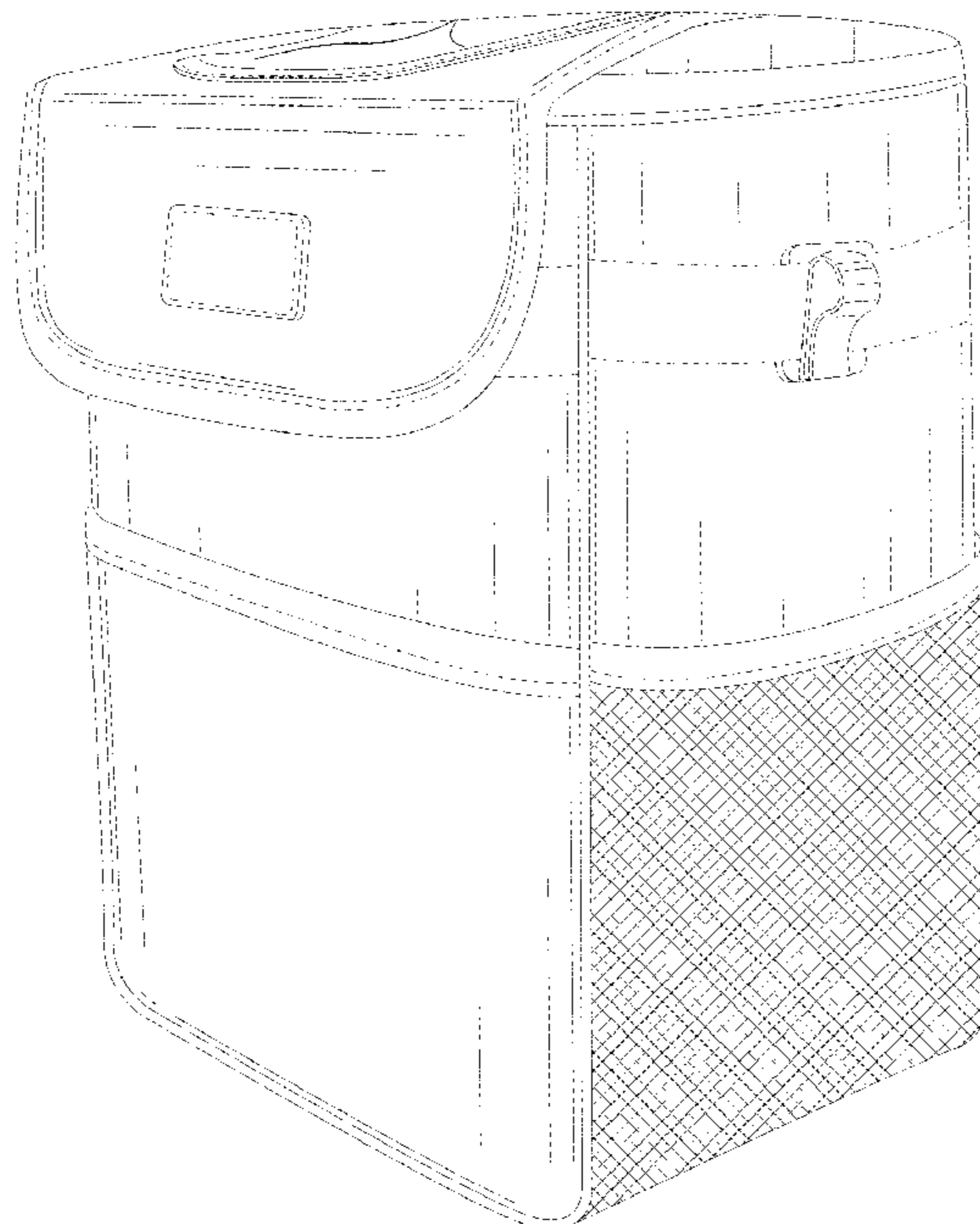
DESCRIPTION

(56) **References Cited**
U.S. PATENT DOCUMENTS

D463,960 S * 10/2002 McDonald D7/709
D534,322 S * 12/2006 Watson D30/161
D734,643 S * 7/2015 Boroski D7/605
D751,262 S 3/2016 Currier
D765,336 S * 8/2016 Doyon D34/10
D825,878 S 8/2018 Lewis
D838,481 S 1/2019 Currier et al.
D851,931 S 6/2019 Currier
D854,770 S 7/2019 Ozer et al.
D875,028 S 2/2020 Yang et al.

FIG. 1 is a Perspective view of a car trash can showing my new design;
FIG. 2 is Front view thereof;
FIG. 3 is Back view thereof;
FIG. 4 is a Right-side view thereof;
FIG. 5 is a Left-side view thereof;
FIG. 6 is a Top view thereof; and,
FIG. 7 is a Bottom view thereof.
The broken lines in the drawings depict portions of the car trash can that form no part of the claimed design.

1 Claim, 7 Drawing Sheets



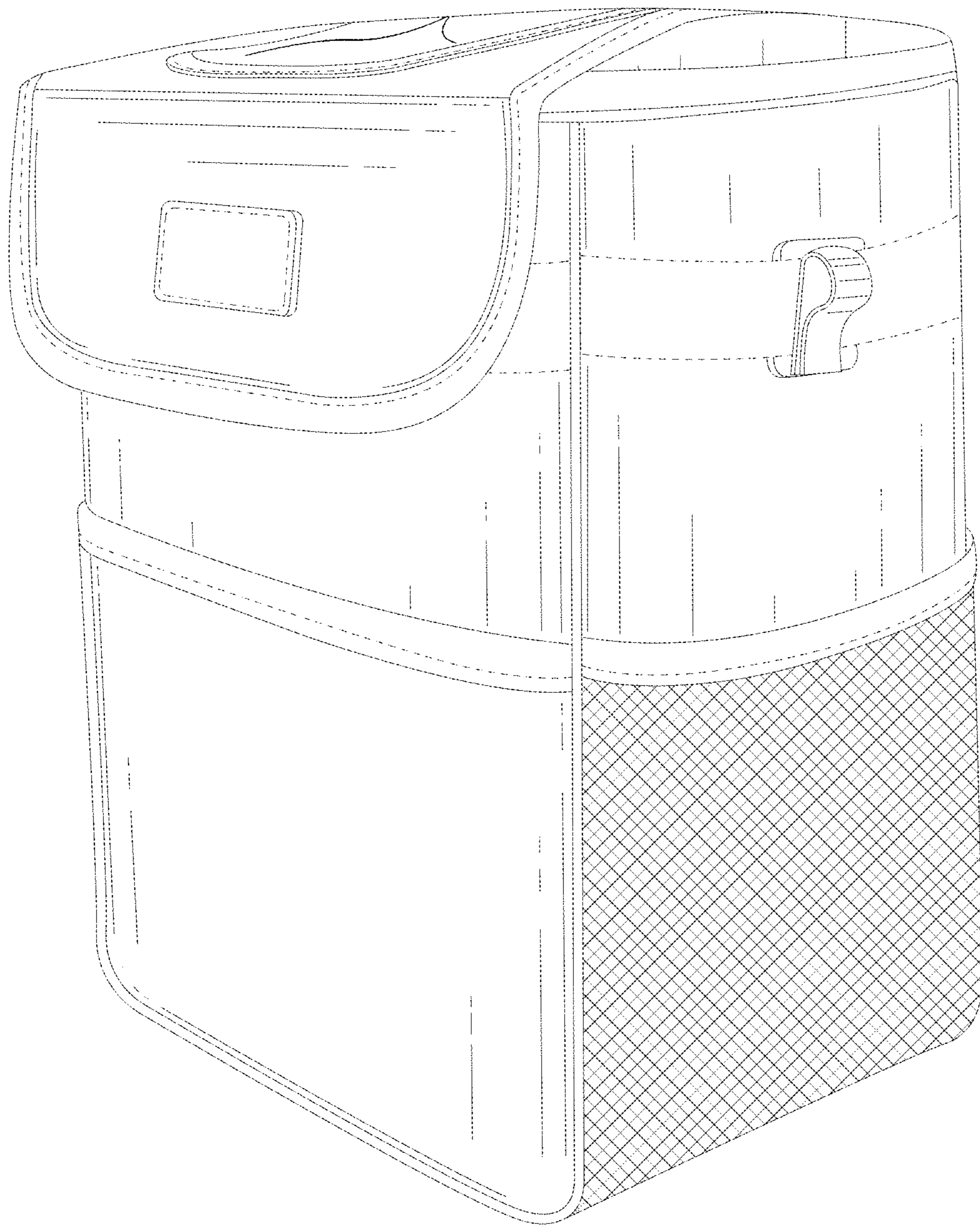


FIG. 1



FIG. 2



FIG. 3

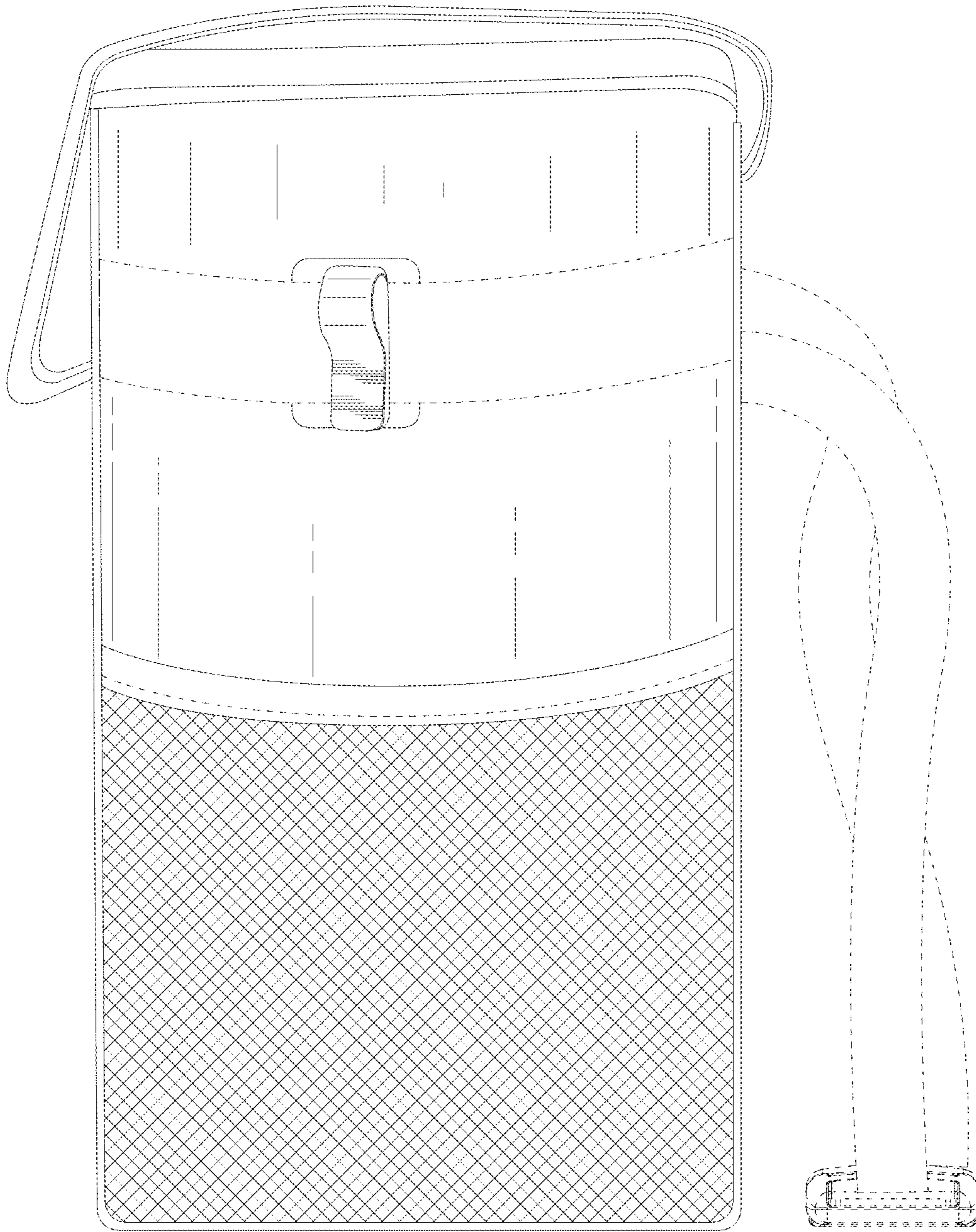


FIG. 4

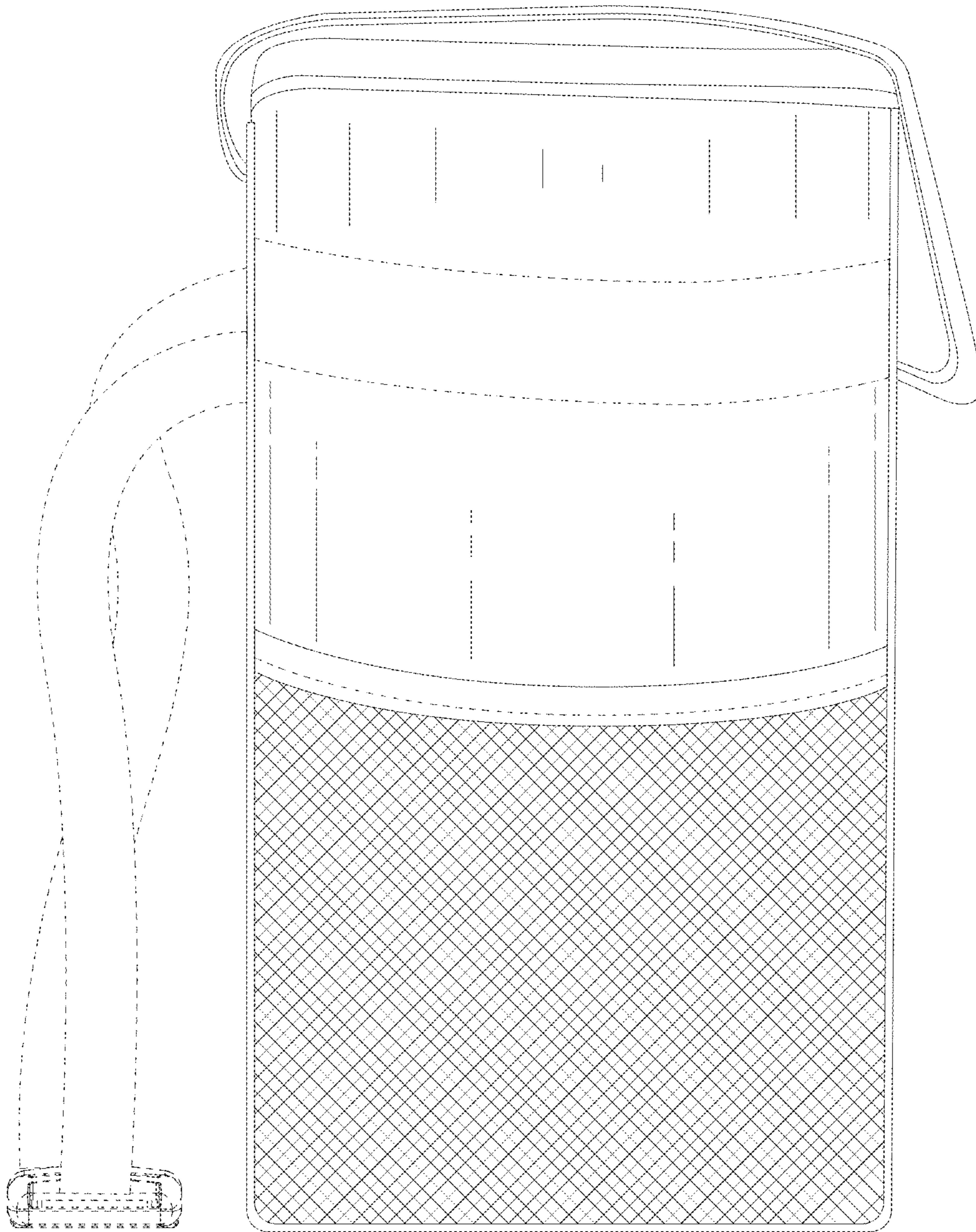


FIG. 5

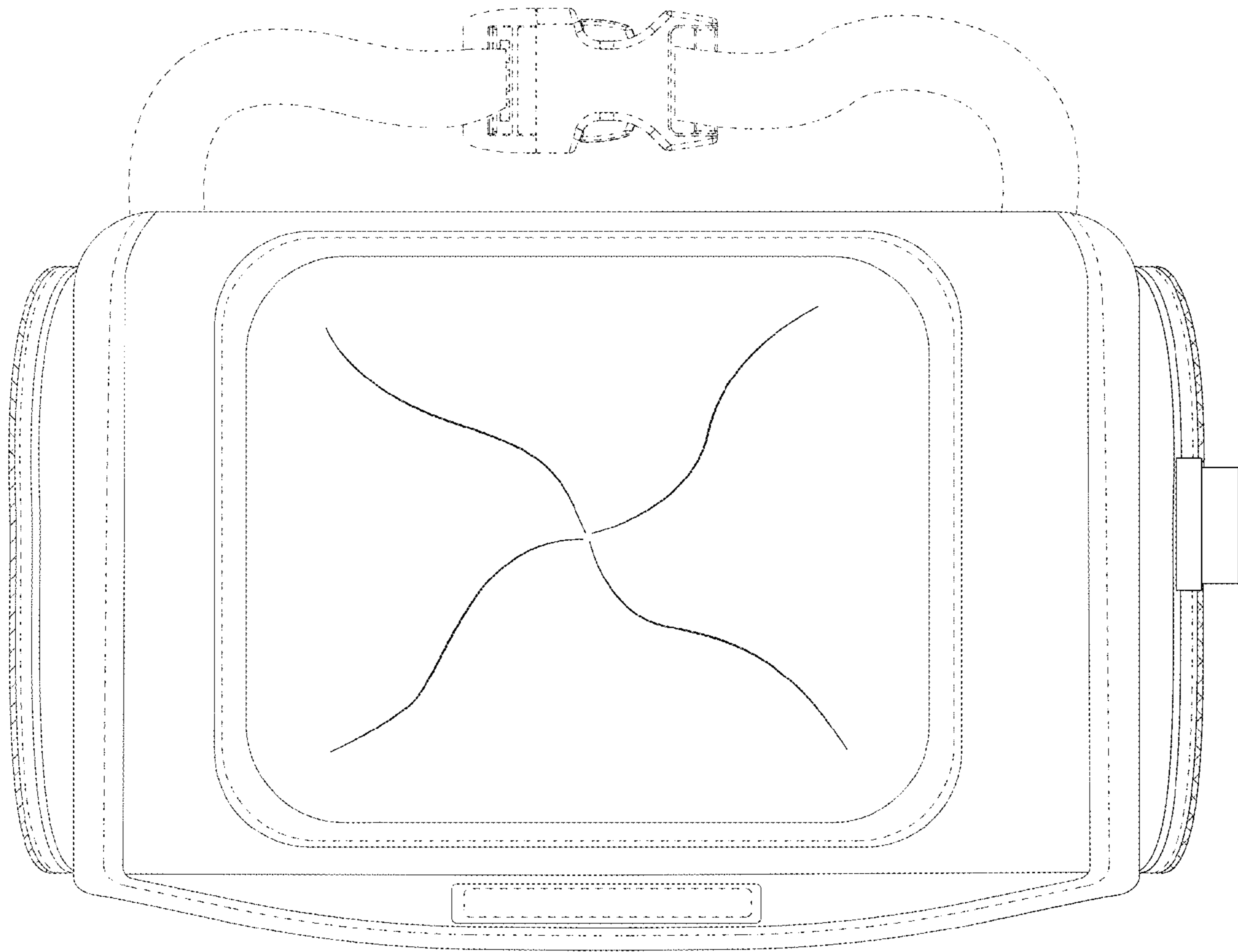


FIG. 6

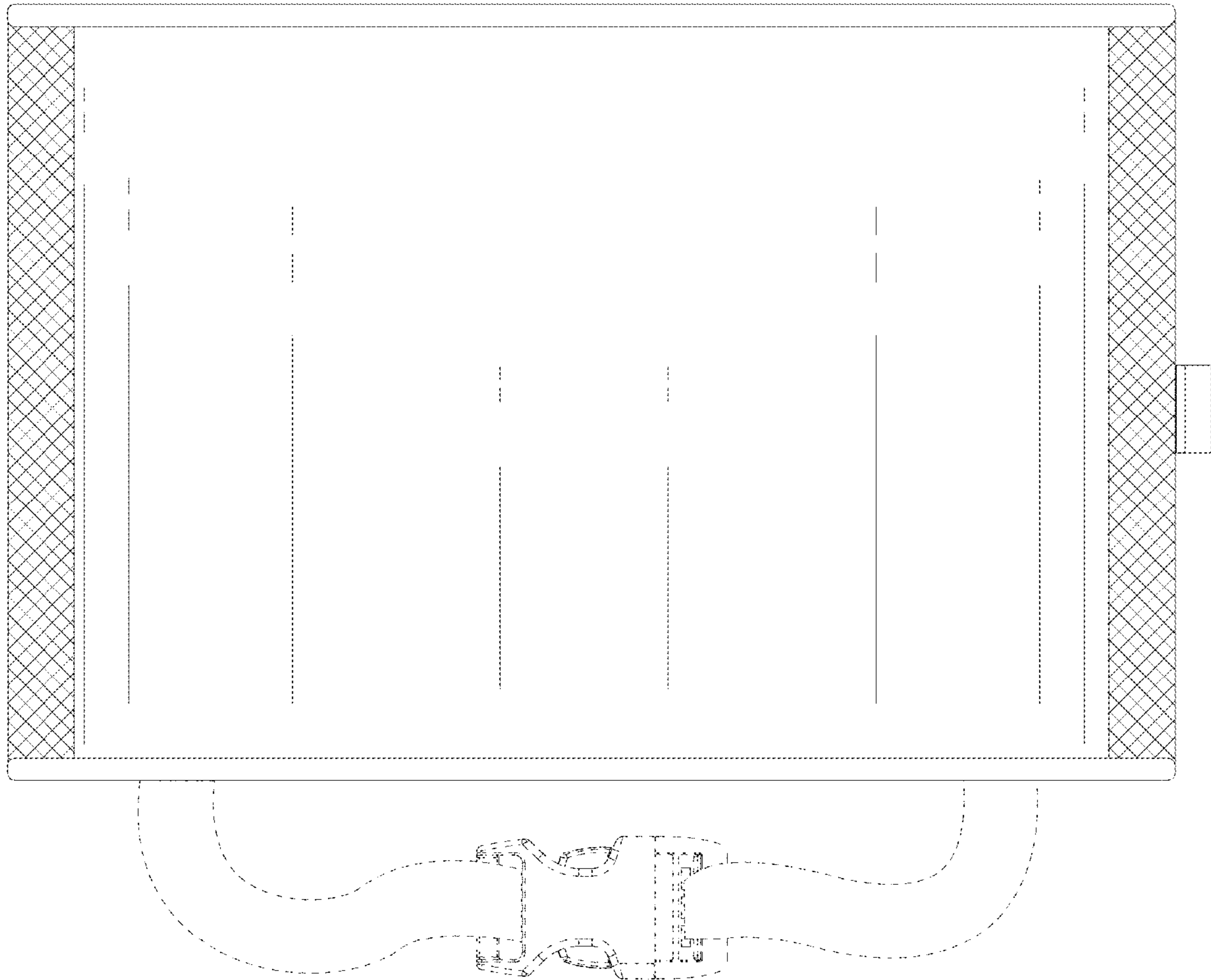


FIG. 7