



US00D942727S

(12) **United States Design Patent** (10) **Patent No.:** **US D942,727 S**
Ross et al. (45) **Date of Patent:** **** Feb. 1, 2022**

(54) DUMPSTER	D853,068 S	7/2019	Chen	
	D909,001 S *	1/2021	Ross B65F 1/122 D34/7
(71) Applicant: Southern Illinois Waste Container, LLC, Marion, IL (US)	2009/0179444 A1 *	7/2009	Apps B65F 1/122 294/68.2
(72) Inventors: Darrell Ross, Marion, IL (US); Mark Colombo, Marion, IL (US); Dax Mezo, Herrin, IL (US)	2011/0036854 A1 *	2/2011	Baltz B65F 1/16 220/810
	2012/0043327 A1 *	2/2012	Baltz B65F 1/004 220/315
(73) Assignee: Southern Illinois Waste Container, LLC, Marion, IL (US)	2012/0199590 A1 *	8/2012	Therrien B65F 1/1607 220/564
	2017/0088353 A1 *	3/2017	Rae B65F 1/1473

(**) Term: **15 Years**

(21) Appl. No.: **29/760,028**

(22) Filed: **Nov. 27, 2020**

Related U.S. Application Data

(63) Continuation of application No. 29/698,164, filed on Jul. 15, 2019, now Pat. No. Des. 909,001.

(51) **LOC (13) Cl.** **09-09**

(52) **U.S. Cl.**
USPC **D34/3**

(58) **Field of Classification Search**
USPC D34/1-35
CPC B65F 1/122; B65F 1/12; B65F 1/00; B65F 1/1415; B65F 1/16; Y10S 220/908
See application file for complete search history.

(56) **References Cited**

U.S. PATENT DOCUMENTS

D398,430 S	9/1998	Taylor	
5,967,361 A	10/1999	Darnell	
D517,265 S *	3/2006	Berres, Jr. et al. D34/3
D5,172,655	3/2006	Berres, Jr. et al.	
D781,936 S *	3/2017	Broyhill D15/123
9,718,616 B1 *	8/2017	Deming B65F 1/1646

OTHER PUBLICATIONS

Design U.S. Appl. No. 29/698,164, filed Jul. 15, 2019.

* cited by examiner

Primary Examiner — Cynthia Ramirez

Assistant Examiner — Tamara L Hahn

(74) *Attorney, Agent, or Firm* — Craig R. Miles; CR Miles P.C.

(57) **CLAIM**

The ornamental design for a dumpster, as shown and described.

DESCRIPTION

FIG. 1 is a perspective view of a dumpster, embodying our new design;

FIG. 2 is a right side view thereof;

FIG. 3 is a left side view thereof;

FIG. 4 is a rear side view thereof;

FIG. 5 is a front view thereof; and,

FIG. 6 is a top plan view thereof.

The broken lines in the drawings depict portions of the dumpster that form no part of the claimed design.

1 Claim, 4 Drawing Sheets

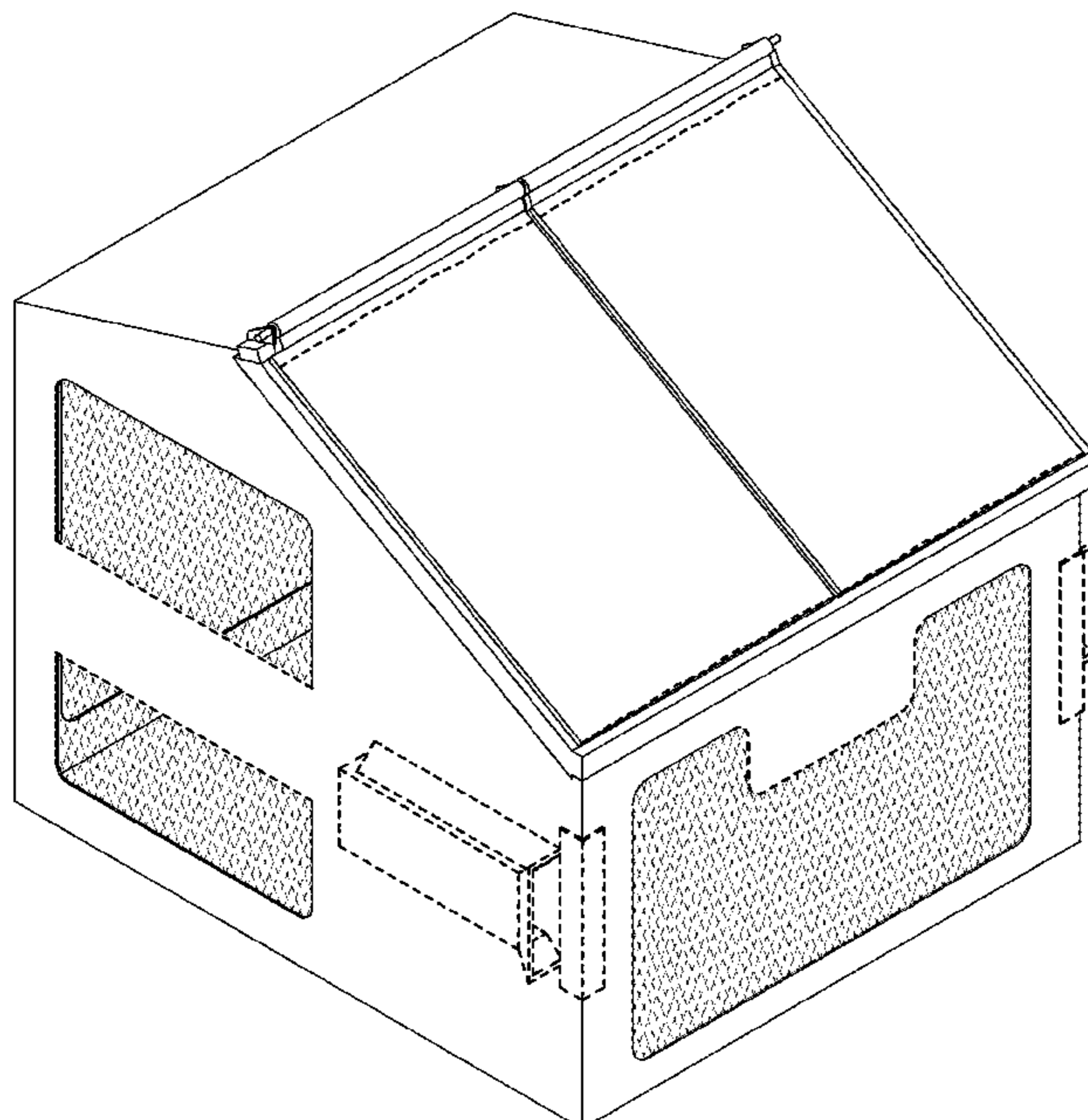


FIG. 1

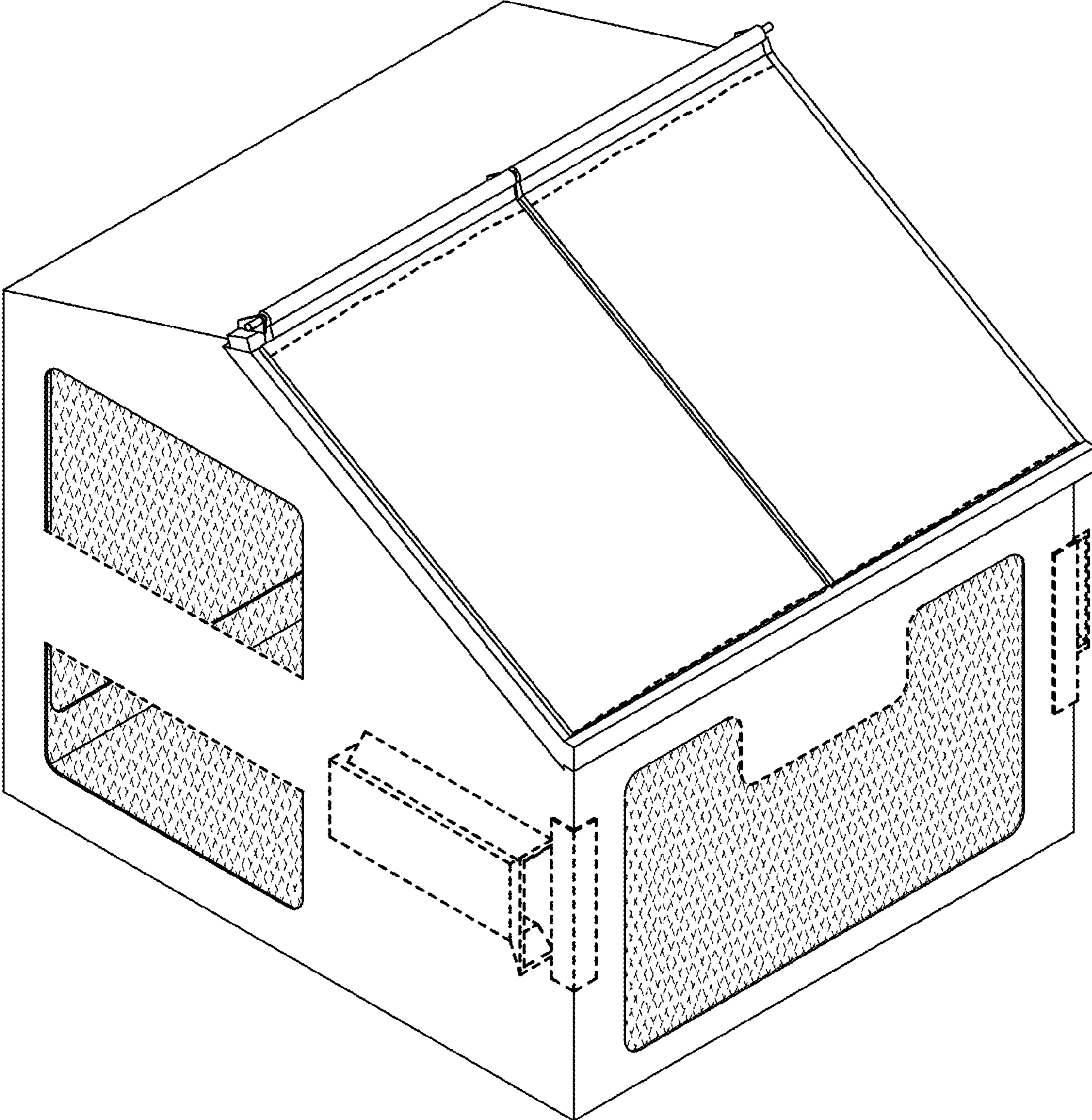


FIG. 2

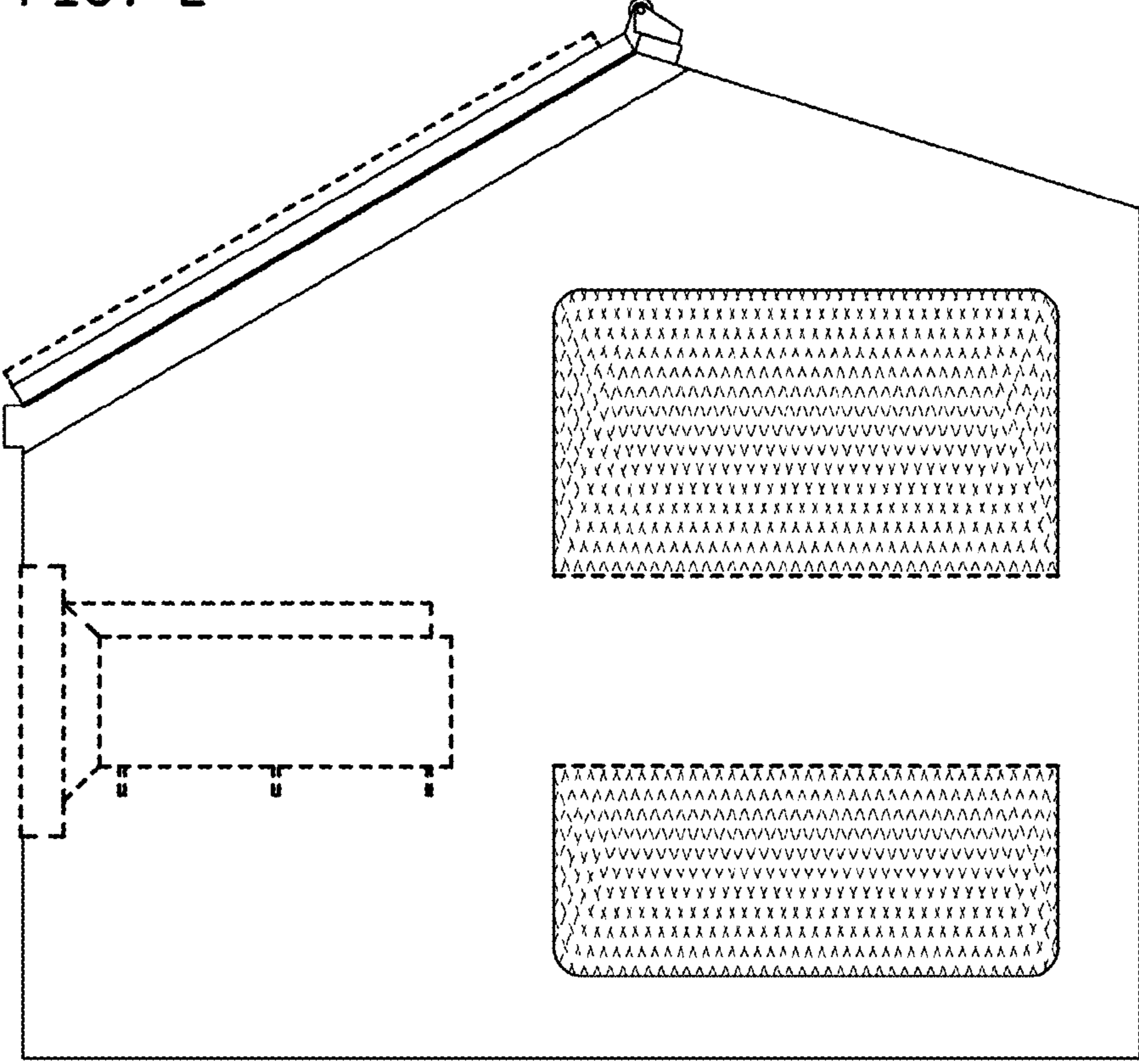


FIG. 3

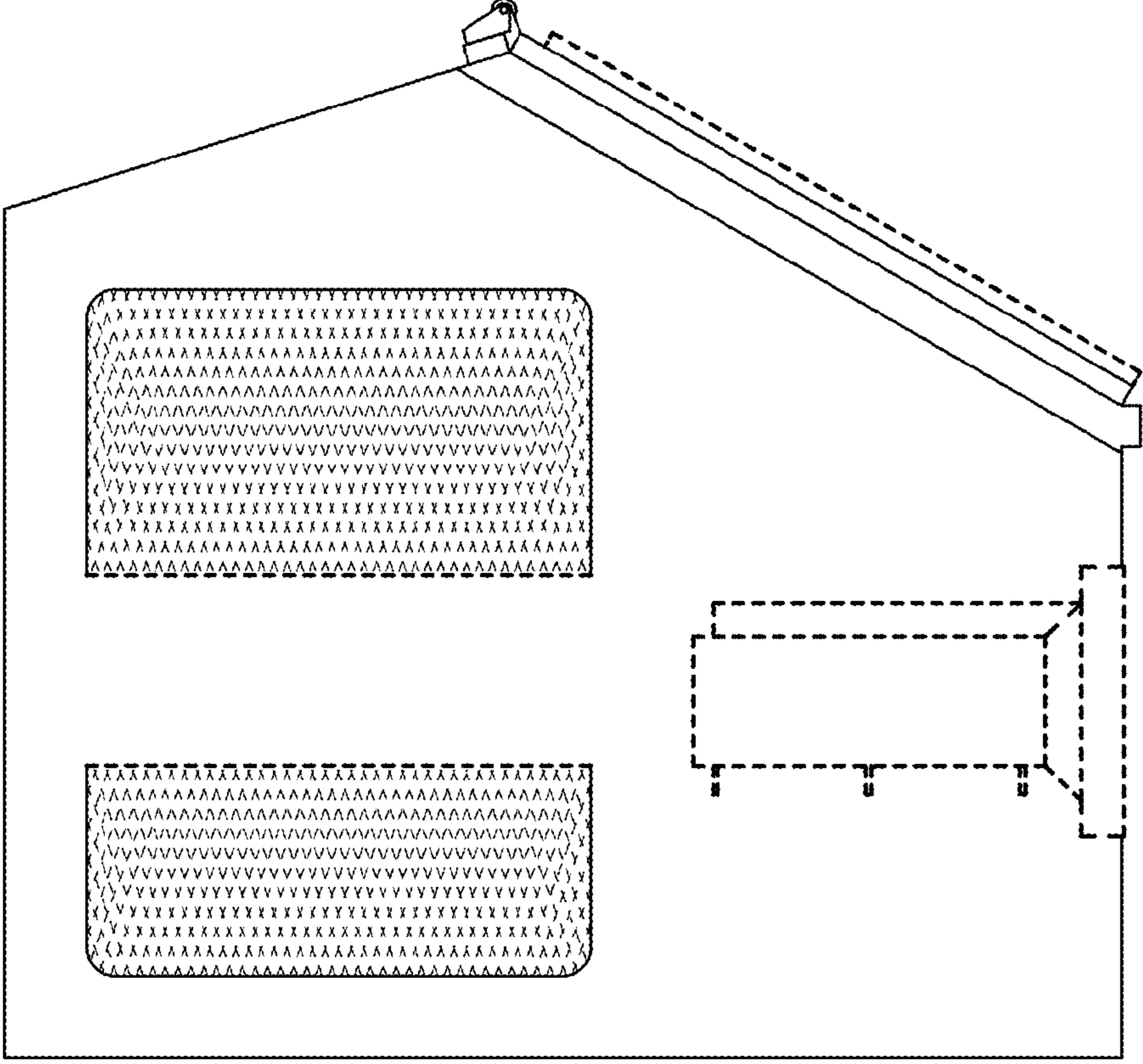


FIG. 5

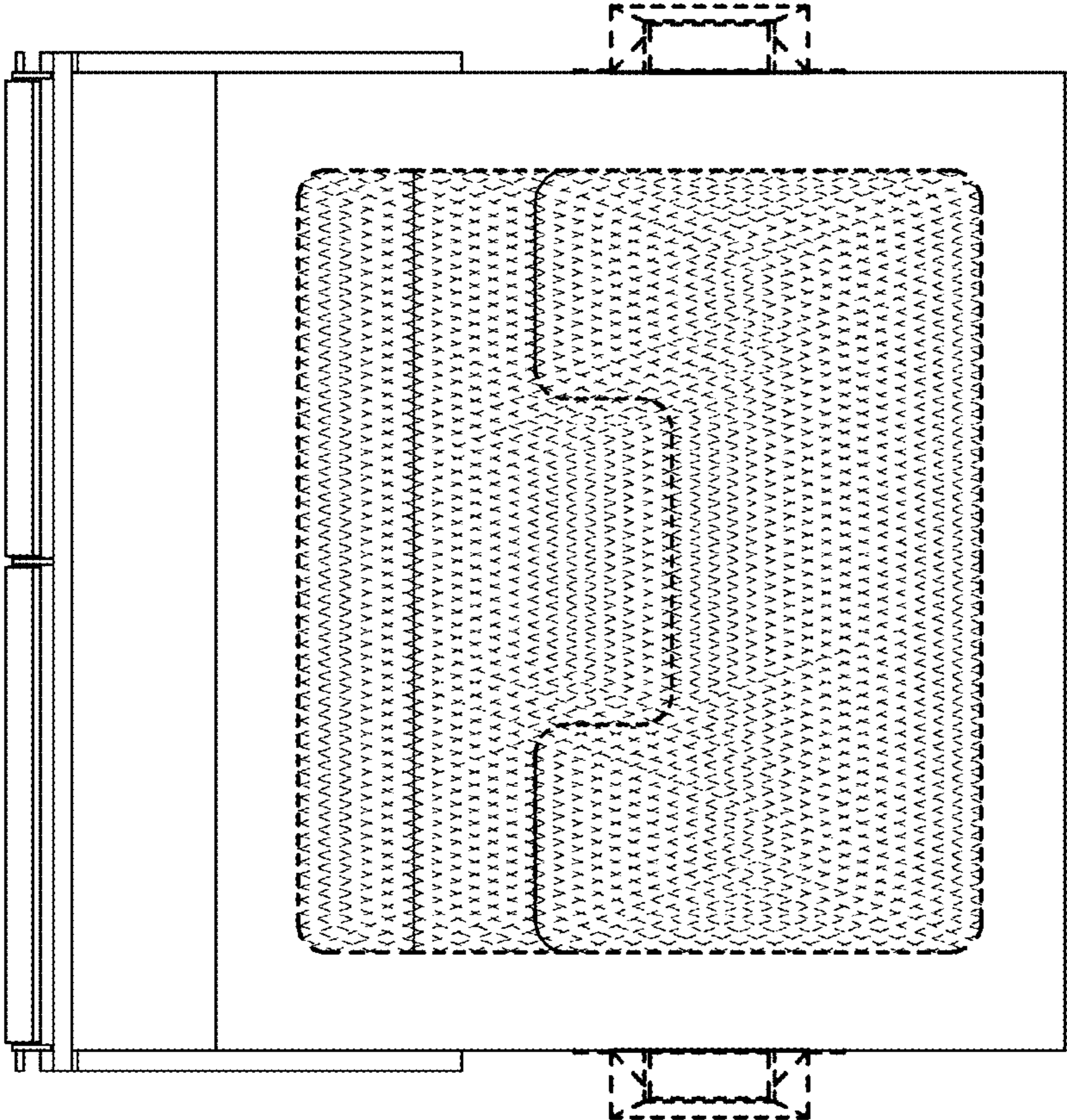


FIG. 4

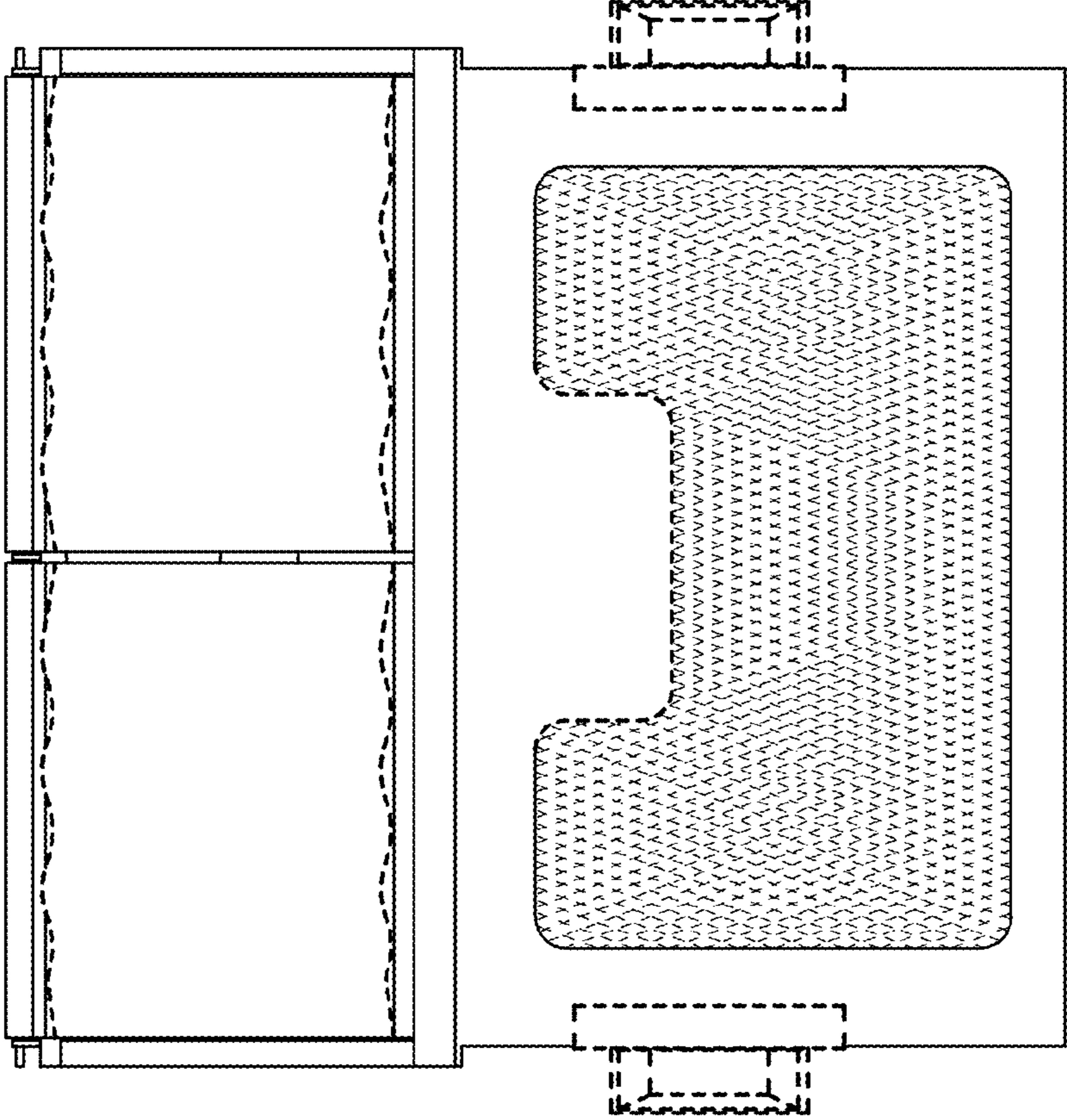


FIG. 6

