



US00D942725S

(12) **United States Design Patent**  
**Schlütter**

(10) **Patent No.:** **US D942,725 S**  
(45) **Date of Patent:** **\*\* Feb. 1, 2022**

(54) **DISH DRYING RACK SINK ACCESSORY**

(71) Applicant: **Zentrum LLC**, Delray Beach, FL (US)  
(72) Inventor: **Michael Schlütter**, West Palm Beach, FL (US)  
(73) Assignee: **Zentrum LLC**, Delray Beach, FL (US)  
(\*\*) Term: **15 Years**

(21) Appl. No.: **29/784,889**  
(22) Filed: **May 21, 2021**  
(51) **LOC (13) Cl.** ..... **07-05**  
(52) **U.S. Cl.**  
USPC ..... **D32/55**  
(58) **Field of Classification Search**  
USPC ..... D32/55, 276, 3; D6/510, 525; D30/133;  
211/41.5, 41.4, 41.3, 41.8; 361/679.4;  
312/311, 333, 334.4; D7/354, 629  
CPC ..... A47J 47/20; A47J 2201/00; A47J 47/00;  
B65D 35/02; B65D 35/22; B65D 35/56  
See application file for complete search history.

(56) **References Cited**

**U.S. PATENT DOCUMENTS**

6,182,305	B1	2/2001	O'Connell et al.	
7,246,387	B2	7/2007	Erickson et al.	
7,305,723	B2	12/2007	Fulks	
D588,243	S	3/2009	Aykens et al.	
D625,482	S *	10/2010	Yang	D32/57
D655,798	S	3/2012	Miller et al.	
D707,005	S *	6/2014	Levy	D32/57
9,173,487	B2	11/2015	Booth et al.	

(Continued)

**FOREIGN PATENT DOCUMENTS**

CN	105297844	A	2/2016
MX	2010011044	A	10/2010
WO	2009/126228	A1	10/2009

**OTHER PUBLICATIONS**

Havens Luxury Metals, Stainless Kitchen Sinks Collection, Undermount and Farmhouse, USA Handcrafted, <https://www.havensmetal.com/collections/undermount-stainless-sinks>.

(Continued)

*Primary Examiner* — Austin Murphy

(74) *Attorney, Agent, or Firm* — Carlson, Gaskey & Olds, P.C.

(57) **CLAIM**

I claim the ornamental design of a dish drying rack sink accessory, as shown and described.

**DESCRIPTION**

FIG. 1 illustrates a perspective view of a dish drying rack sink accessory disposed on a sink.

FIG. 2 illustrates a perspective view of the dish drying rack sink accessory of FIG. 1.

FIG. 3 illustrates a face of the dish drying rack sink accessory of FIG. 1.

FIG. 4 illustrates a face of the dish drying rack sink accessory of FIG. 1 that is opposite the face of FIG. 3.

FIG. 5 illustrates a side view the dish drying rack sink accessory of FIG. 1 that corresponds to a left side of FIG. 3.

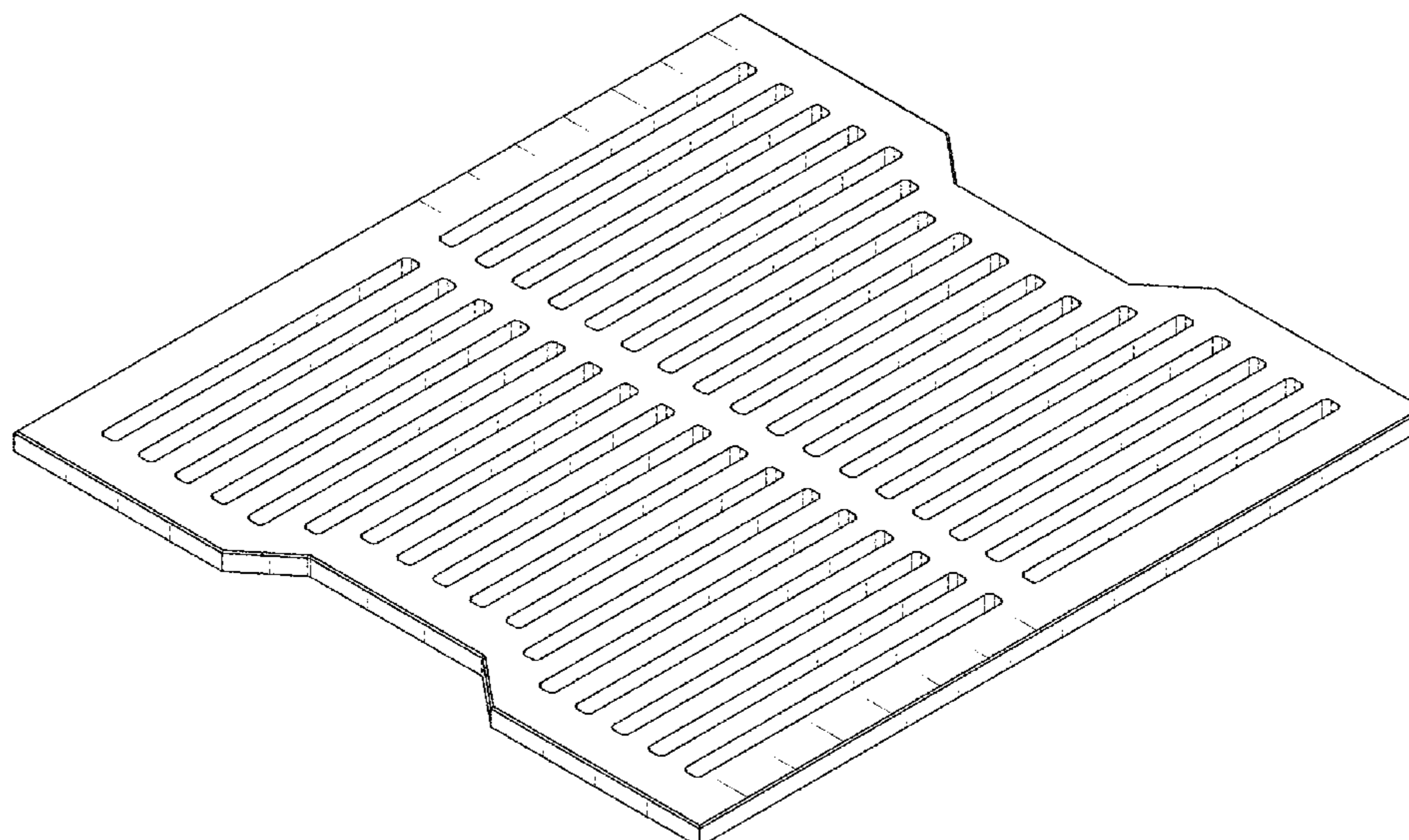
FIG. 6 illustrates a side view of the dish drying rack sink accessory of FIG. 1 that is opposite the side view of FIG. 5, and corresponds to a right side of FIG. 3.

FIG. 7 illustrates a side view of the dish drying rack sink accessory of FIG. 1 that corresponds to a top side of FIG. 3; and,

FIG. 8 illustrates a side view of the dish drying rack sink accessory of FIG. 1 that is opposite the side view of FIG. 7, and corresponds to a bottom side of FIG. 3.

The broken lines in the Figures are for illustrative purposes only and form no part of the claimed design. The shade lines in the Figures show contour or the flatness of a surface, and not surface ornamentation.

**1 Claim, 5 Drawing Sheets**



(56)

**References Cited**

U.S. PATENT DOCUMENTS

D776,386 S \* 1/2017 Green ..... D32/55  
 9,574,333 B2 2/2017 O'Brien et al.  
 D781,018 S \* 3/2017 Evans ..... D32/55  
 9,783,967 B2 10/2017 Jain et al.  
 D803,598 S \* 11/2017 Li ..... D6/536  
 D830,657 S \* 10/2018 Green ..... D32/55  
 10,704,241 B2 7/2020 Miller  
 D904,709 S \* 12/2020 Gee, II ..... D32/57  
 D904,710 S \* 12/2020 Gee, II ..... D32/57  
 D914,313 S \* 3/2021 Diefenbach ..... D32/57  
 D915,019 S \* 3/2021 Green ..... D32/57  
 D923,275 S \* 6/2021 Driscoll ..... D32/57  
 D924,515 S \* 7/2021 Levi ..... D32/57  
 2002/0078497 A1 6/2002 Perucchi  
 2008/0179264 A1\* 7/2008 Abrams ..... A47L 19/02  
 211/41.3  
 2010/0275369 A1 11/2010 Eilmus et al.

2012/0204343 A1 8/2012 Shollmier  
 2013/0283521 A1 10/2013 Jain et al.  
 2015/0067962 A1 3/2015 O'Brien et al.  
 2017/0172379 A1 6/2017 Keller et al.  
 2018/0030704 A1 2/2018 Bomatter et al.  
 2020/0102726 A1 4/2020 Miller  
 2020/0263401 A1 8/2020 Levi

OTHER PUBLICATIONS

Kraus, Kore Workstation 35" Drop-In/Undermount Sink, <https://www.kraususa.com/kraus-kwt311-25-workstation-25-drop-inundermount-16-gauge-stainless-steel-single-bowl-kitchen-sink.html>.  
 Ruvati, Dual Tier, 45" Workstation Two-Tiered Ledge Undermount Sink, <https://www.ruvati.com/products/rvh8333-45-inch-workstation-two-tiered-ledge-kitchen-sink-undermount-16-gauge/>.

\* cited by examiner

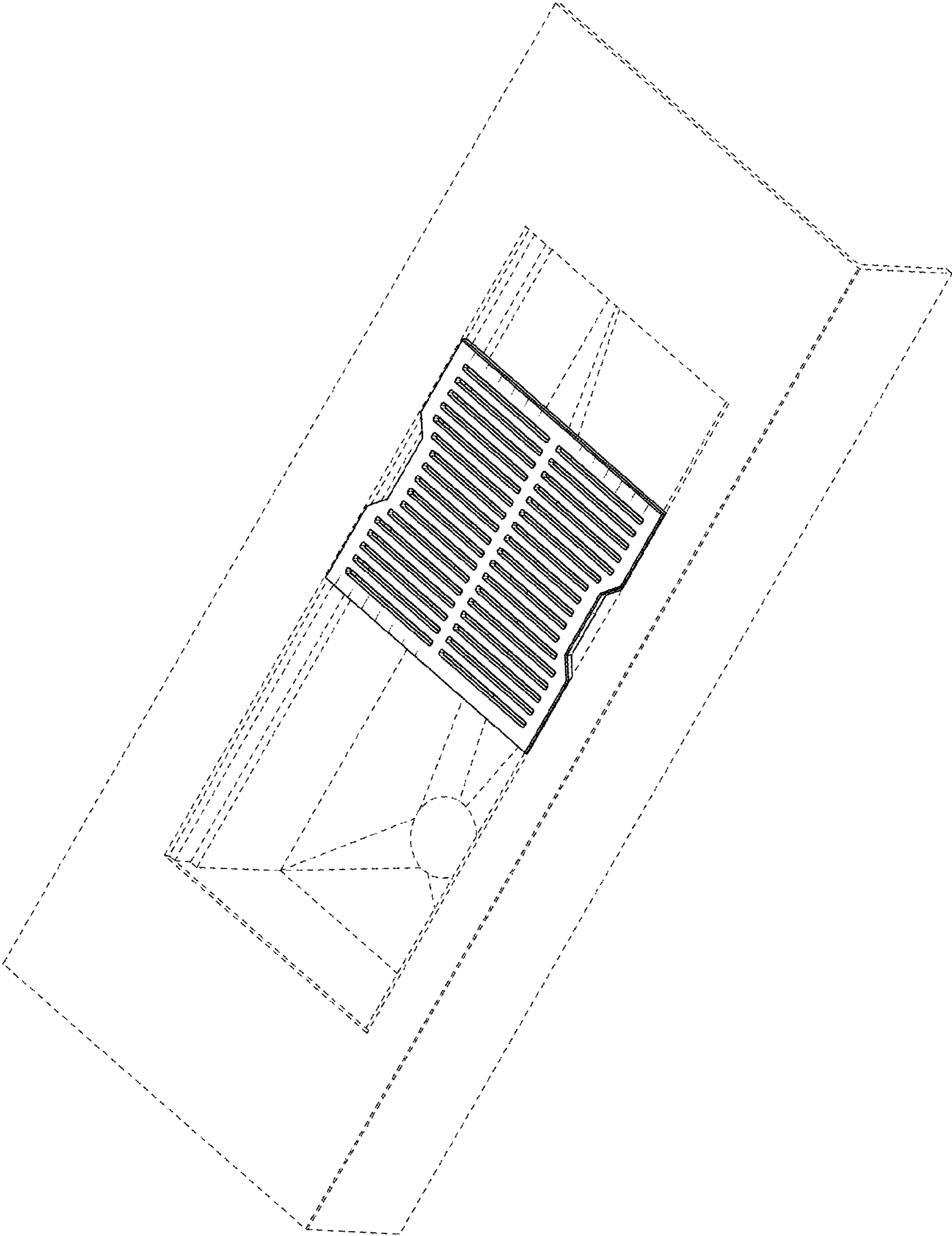


FIG. 1

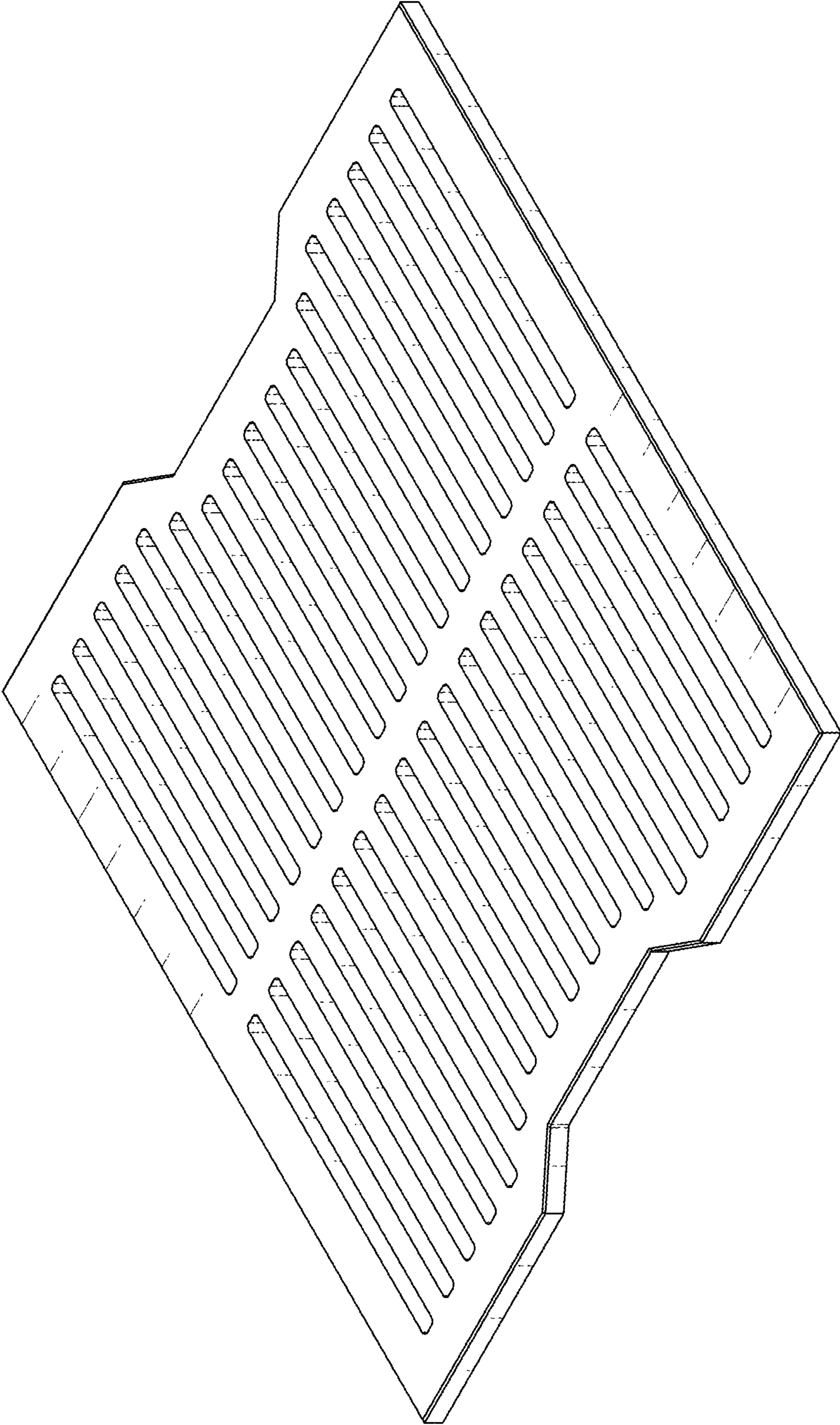


FIG. 2

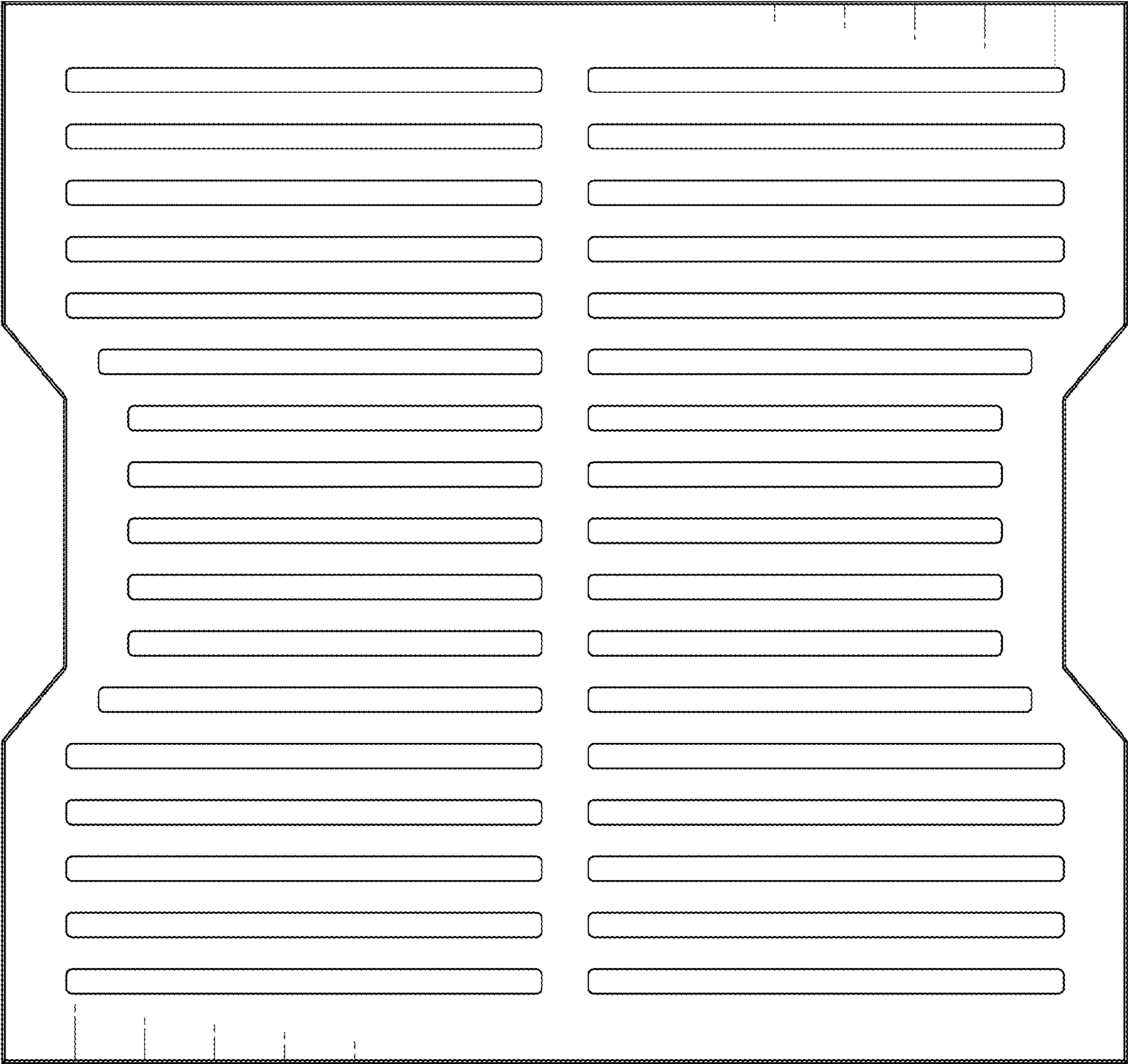


FIG. 3

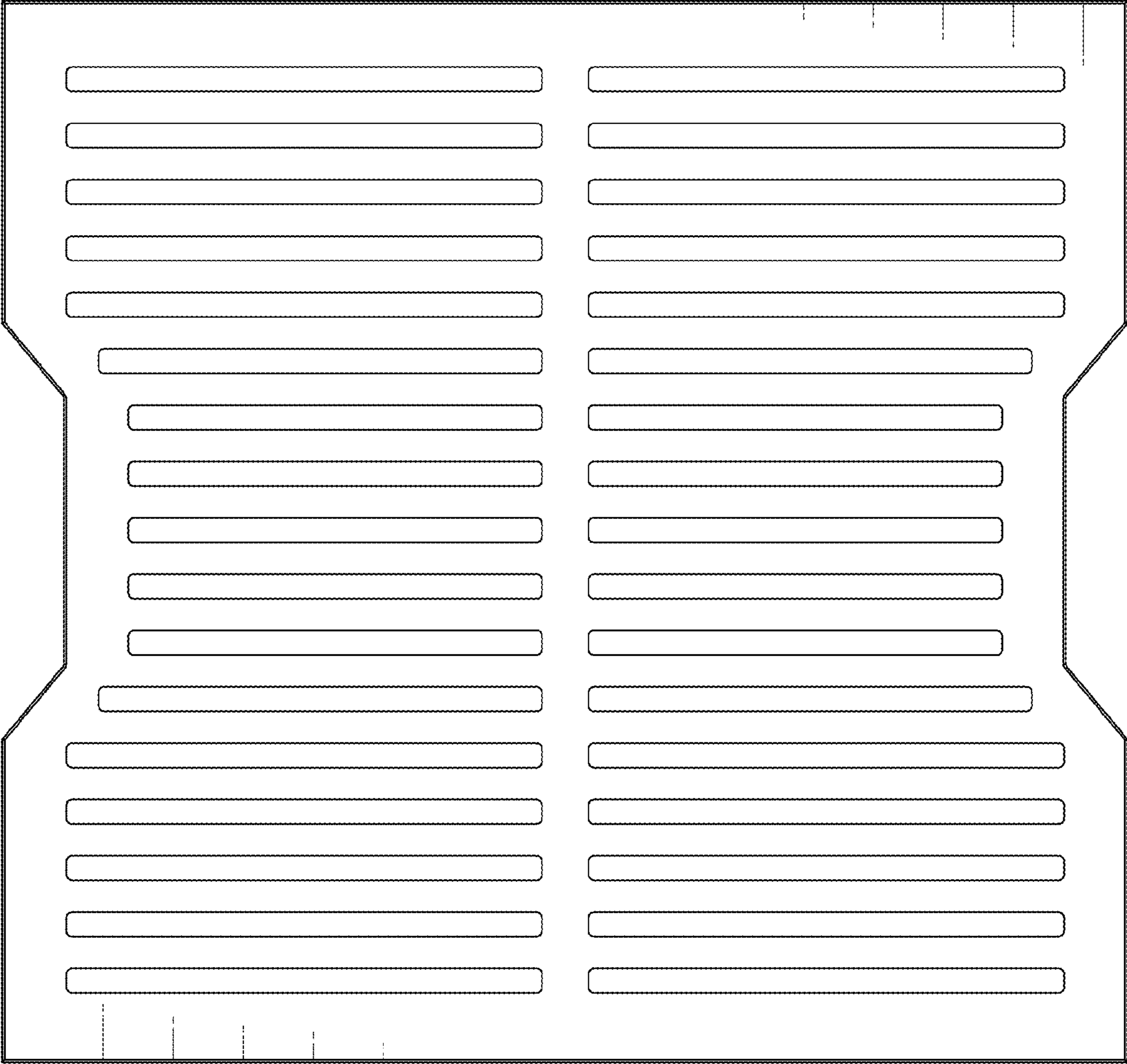


FIG. 4



FIG. 5



FIG. 6



FIG. 7



FIG. 8