

US00D942724S

(12) **United States Design Patent**  
**Luburic et al.**

(10) **Patent No.:** **US D942,724 S**  
(45) **Date of Patent:** **\*\* Feb. 1, 2022**

(54) **CONTAINER**

(71) Applicant: **BWAY Corporation**, Atlanta, GA (US)

(72) Inventors: **Frano Luburic**, Costa Mesa, CA (US);  
**John Richard Homan**, Naperville, IL (US)

(73) Assignee: **BWAY CORPORATION**, Atlanta, GA (US)

(\*\*) Term: **15 Years**

(21) Appl. No.: **29/725,732**

(22) Filed: **Feb. 26, 2020**

(51) **LOC (13) Cl.** ..... **07-05**

(52) **U.S. Cl.**  
USPC ..... **D32/53**

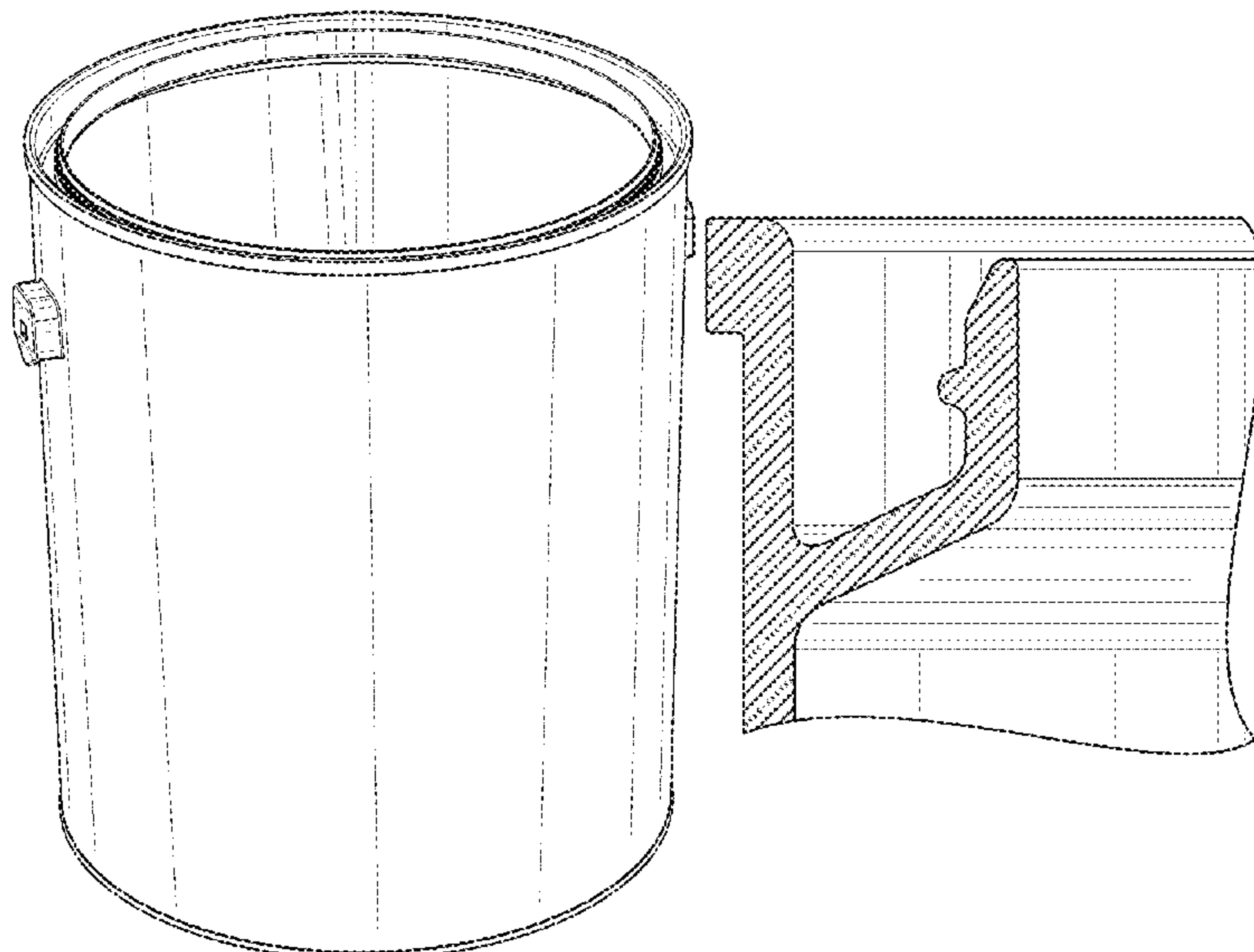
(58) **Field of Classification Search**  
USPC ..... D7/608; D9/500, 504; D32/53, 53.1, 54  
CPC ..... A45F 5/102; A46B 17/02; A46B 15/00;  
A41D 19/01594; B01F 15/0207; B01F 7/18;  
B01F 9/0016; B01F 13/002; B01D 29/03;  
B01D 29/15; B05C 17/002; B29C 45/4435;  
B29C 66/612; B29C 45/43; B25H 3/00;  
B44D 3/127; B44D 3/006; B44D 3/12;  
B44D 3/126; B44D 3/128; B44D 3/14;  
B44D 3/123; B44D 3/125; B44D 3/08;  
B65D 43/0256; B65D 21/0222; B65D 45/345;  
B65D 7/06; B65D 25/30; B65D 43/0216; B65D 21/0217;  
B65D 25/32; B65D 43/0218; B65D 43/0206;  
B65D 47/0895; B65D 21/022; B65D 21/0224;  
B65D 43/0241; B65D 43/021; B65D 25/325;  
B65D 1/46; B65D 21/0219; B65D 11/26; B65D 1/22;  
B65D 43/0212; B65D 1/48; B65D 17/401;  
E06C 7/14; F41A 9/68

See application file for complete search history.

(56) **References Cited**

U.S. PATENT DOCUMENTS

606,838	A *	7/1898	Heins .....	B65D 43/0216 220/797
1,454,958	A *	5/1923	Davies .....	B65D 43/0216 220/798
1,696,240	A *	12/1928	Kircher, Jr. ....	B44D 3/128 220/797
2,196,614	A *	4/1940	Spitz .....	B44D 3/128 220/697
2,885,108	A *	5/1959	Donoghue .....	B44D 3/128 220/798
3,913,785	A *	10/1975	Pattershall .....	B65D 21/0224 220/733
3,999,677	A *	12/1976	Oberkircher .....	B29C 45/4435 220/266
4,022,344	A *	5/1977	Roamer .....	B44D 3/128 220/4.03
4,101,046	A *	7/1978	Puntillo .....	B44D 3/123 220/697
4,125,204	A *	11/1978	Klein .....	B65D 17/401 220/268
4,128,223	A *	12/1978	Brownlee .....	E06C 7/14 182/106
4,145,789	A *	3/1979	Morgan, Sr. ....	B44D 3/128 15/257.06
4,171,063	A *	10/1979	Cloutier .....	B44D 3/127 220/276
4,176,768	A *	12/1979	Ritter .....	B44D 3/128 222/564
4,210,258	A *	7/1980	von Holdt .....	B65D 21/0222 206/508
4,228,916	A *	10/1980	Weingardt .....	B65D 1/48 220/798
4,245,753	A *	1/1981	Ellis .....	B44D 3/12 215/318
4,279,358	A *	7/1981	Jacobs .....	B65D 43/0212 220/321
4,293,080	A *	10/1981	Letica .....	B65D 1/22 220/659
4,308,970	A *	1/1982	Von Holdt .....	B29C 45/43 220/790
4,353,476	A *	10/1982	Cowgill .....	B44D 3/123 206/216



# US D942,724 S

<p>4,356,930 A * 11/1982 Roper ..... B65D 11/26 206/508</p> <p>4,375,948 A * 3/1983 von Holdt ..... B29C 45/43 425/437</p> <p>4,378,895 A * 4/1983 Woinarski ..... B65D 21/0217 206/508</p> <p>4,387,828 A * 6/1983 Yates, Jr. .... B65D 21/0222 220/284</p> <p>4,397,404 A * 8/1983 Blanchette ..... B65D 21/022 206/508</p> <p>4,446,986 A * 5/1984 Bowen ..... B44D 3/127 220/284</p> <p>4,458,825 A * 7/1984 Holota ..... B65D 21/0219 220/284</p> <p>D277,646 S * 2/1985 Jorgensen ..... D9/454</p> <p>D278,561 S * 4/1985 Anderson ..... D32/53</p> <p>4,512,494 A * 4/1985 Von Holdt ..... B65D 21/022 220/783</p> <p>D278,800 S * 5/1985 Bowen ..... D9/500</p> <p>4,518,094 A * 5/1985 Kodman ..... B65D 47/0895 220/254.3</p> <p>4,518,097 A * 5/1985 Milton ..... B65D 1/46 206/508</p> <p>4,524,882 A * 6/1985 Buc ..... B44D 3/127 220/783</p> <p>4,530,442 A * 7/1985 Vogel, Jr. .... B29C 66/612 220/644</p> <p>D280,038 S * 8/1985 Anderson ..... D32/53</p> <p>D296,421 S * 6/1988 Rayner ..... D9/779</p> <p>4,796,775 A * 1/1989 Dudzik ..... B65D 25/32 220/770</p> <p>4,799,603 A * 1/1989 Dudzik ..... B44D 3/127 220/659</p> <p>4,823,433 A * 4/1989 Curtis ..... B44D 3/14 16/411</p> <p>4,887,735 A * 12/1989 Dudzik ..... B65D 43/021 220/789</p> <p>4,895,269 A * 1/1990 Cade ..... B44D 3/123 220/695</p> <p>4,928,846 A * 5/1990 Murrin, Jr. .... B44D 3/127 220/733</p> <p>5,027,973 A * 7/1991 Drogos ..... B65D 25/325 220/657</p> <p>5,092,481 A * 3/1992 Skelton ..... B44D 3/12 220/751</p> <p>5,097,977 A * 3/1992 Straub ..... B65D 43/0206 220/783</p> <p>5,125,530 A * 6/1992 Straub ..... B65D 43/0206 220/783</p> <p>D329,597 S * 9/1992 Gallagher ..... D9/454</p> <p>5,161,689 A * 11/1992 Balson ..... B44D 3/127 206/508</p> <p>5,172,822 A * 12/1992 DeFrance ..... B44D 3/127 220/733</p> <p>5,181,626 A * 1/1993 Daenen ..... B65D 43/021 220/282</p> <p>5,186,329 A * 2/1993 Fogelberg ..... B25H 3/00 206/372</p> <p>5,251,781 A * 10/1993 Skelton ..... B65D 25/32 220/755</p> <p>5,261,551 A * 11/1993 Watt ..... B65D 43/0212 220/319</p> <p>5,307,949 A * 5/1994 Von Holdt, Jr. ... B65D 43/0241 220/276</p> <p>5,406,668 A * 4/1995 Goodhue ..... A46B 15/00 15/143.1</p> <p>5,471,681 A * 12/1995 Ferrini ..... A41D 19/01594 2/160</p> <p>5,494,352 A * 2/1996 L'Estrange, Jr. .... B01F 13/002 15/236.01</p> <p>5,566,465 A * 10/1996 Zoellner ..... B44D 3/08 33/572</p> <p>5,626,258 A * 5/1997 Maiorino ..... B44D 3/128 220/695</p> <p>5,626,319 A * 5/1997 Fusillo ..... B44D 3/123 248/110</p>	<p>5,716,034 A * 2/1998 Unkefer ..... E06C 7/14 248/211</p> <p>5,806,709 A * 9/1998 Marshall, II ..... B44D 3/14 220/755</p> <p>5,967,363 A * 10/1999 Allen ..... B44D 3/128 220/701</p> <p>6,179,158 B1 * 1/2001 Koda ..... B65D 1/46 220/659</p> <p>6,244,559 B1 * 6/2001 Stanton ..... A46B 17/02 15/246</p> <p>6,245,277 B1 * 6/2001 Diamond ..... B65D 43/0206 264/328.1</p> <p>6,250,494 B1 * 6/2001 Diamond ..... B65D 43/0206 220/782</p> <p>6,322,028 B1 * 11/2001 Fleckenstein ..... E06C 7/14 182/129</p> <p>6,436,286 B1 * 8/2002 Scott ..... B01D 29/27 210/232</p> <p>6,491,185 B1 * 12/2002 Azzarello ..... B65D 43/0206 206/508</p> <p>6,588,618 B1 * 7/2003 Davis ..... B44D 3/127 220/254.7</p> <p>D498,339 S * 11/2004 Doelling ..... D32/54</p> <p>6,820,848 B1 * 11/2004 Adam ..... B44D 3/128 220/697</p> <p>6,964,348 B2 * 11/2005 Breimon ..... B65D 21/022 206/508</p> <p>8,695,846 B2 * 4/2014 Letica ..... B44D 3/127 220/789</p> <p>8,985,383 B2 * 3/2015 Campbell ..... B65D 43/0206 220/780</p> <p>9,662,929 B2 * 5/2017 Smith ..... B44D 3/128</p> <p>10,543,964 B2 * 1/2020 Mortensen ..... B65D 25/32</p> <p>2005/0133517 A1 * 6/2005 Jackson ..... B44D 3/125 220/699</p> <p>2006/0113310 A1 * 6/2006 Hawkins ..... B44D 3/123 220/736</p> <p>2007/0221531 A1 * 9/2007 Coughlin ..... B01F 15/0207 206/524.7</p> <p>2007/0221675 A1 * 9/2007 Bootz ..... B44D 3/12 220/699</p> <p>2008/0272133 A1 * 11/2008 Chornenky ..... B44D 3/127 220/698</p> <p>2009/0032542 A1 * 2/2009 Temple ..... B65D 25/30 220/669</p> <p>2010/0108705 A1 * 5/2010 De Jesus ..... B65D 43/0256 220/789</p> <p>2011/0036843 A1 * 2/2011 Letica ..... B65D 21/0217 220/319</p> <p>2013/0048657 A1 * 2/2013 Heiser, Jr. .... B44D 3/12 220/760</p> <p>2013/0146609 A1 * 6/2013 Campbell ..... F41A 9/68 220/760</p> <p>2013/0182526 A1 * 7/2013 Dertina, Sr. .... B01F 9/0016 366/56</p> <p>2015/0102034 A1 * 4/2015 Hutt ..... B65D 43/0216 220/315</p> <p>2016/0280423 A1 * 9/2016 Luburic ..... B65D 7/06</p> <p>2016/0311584 A1 * 10/2016 Van Oosten ..... B65D 45/345</p> <p>2020/0016923 A1 * 1/2020 LeWan ..... A46B 17/02</p> <p>2021/0031558 A1 * 2/2021 Mazur ..... B01F 7/18</p>
--	--

## OTHER PUBLICATIONS

1 quart bucket <https://www.thecarycompany.com/metal-paint-can-30wc4u> (Year: 2021).\*

Bucket [https://www.amazon.com/KEILEOHO-Gallon-Tinplate-Organizing-Chemical/dp/B086MYKLDK/ref=sr\\_1\\_2?dchild=1&keywords=keileoho+buckets&qid=1622127636&sr=8-2](https://www.amazon.com/KEILEOHO-Gallon-Tinplate-Organizing-Chemical/dp/B086MYKLDK/ref=sr_1_2?dchild=1&keywords=keileoho+buckets&qid=1622127636&sr=8-2) (Year: 2020).\*

Basko <https://www.zoro.com/basco-paint-can-handle-and-lid-lined-1-gal-mpc128l-bp/i/G6515448/?recommended=true> (Year: 2021).\*

Empty metal can <https://www.rona.ca/en/empty-metal-can-13705002> (Year: 2021).\*

\* cited by examiner



*Primary Examiner* — Michelle E. Wilson

*Assistant Examiner* — Richard E Yenchsky

(74) *Attorney, Agent, or Firm* — Morris, Manning & Martin, LLP; Bryan D. Stewart; William Sparkman

(57) **CLAIM**

The ornamental design for the container, as shown and described.

**DESCRIPTION**

FIG. 1 is a perspective view of an exemplary container;  
FIG. 2 is a top view of an exemplary container;  
FIG. 3 is a bottom view of an exemplary container;  
FIG. 4 is a front view of an exemplary container;  
FIG. 5 is a side view of an exemplary container; and,  
FIG. 6 is a cross-sectional view of an exemplary container.  
The broken lines shown in the drawings illustrate portions of the container that form no part of the claimed design.

**1 Claim, 6 Drawing Sheets**

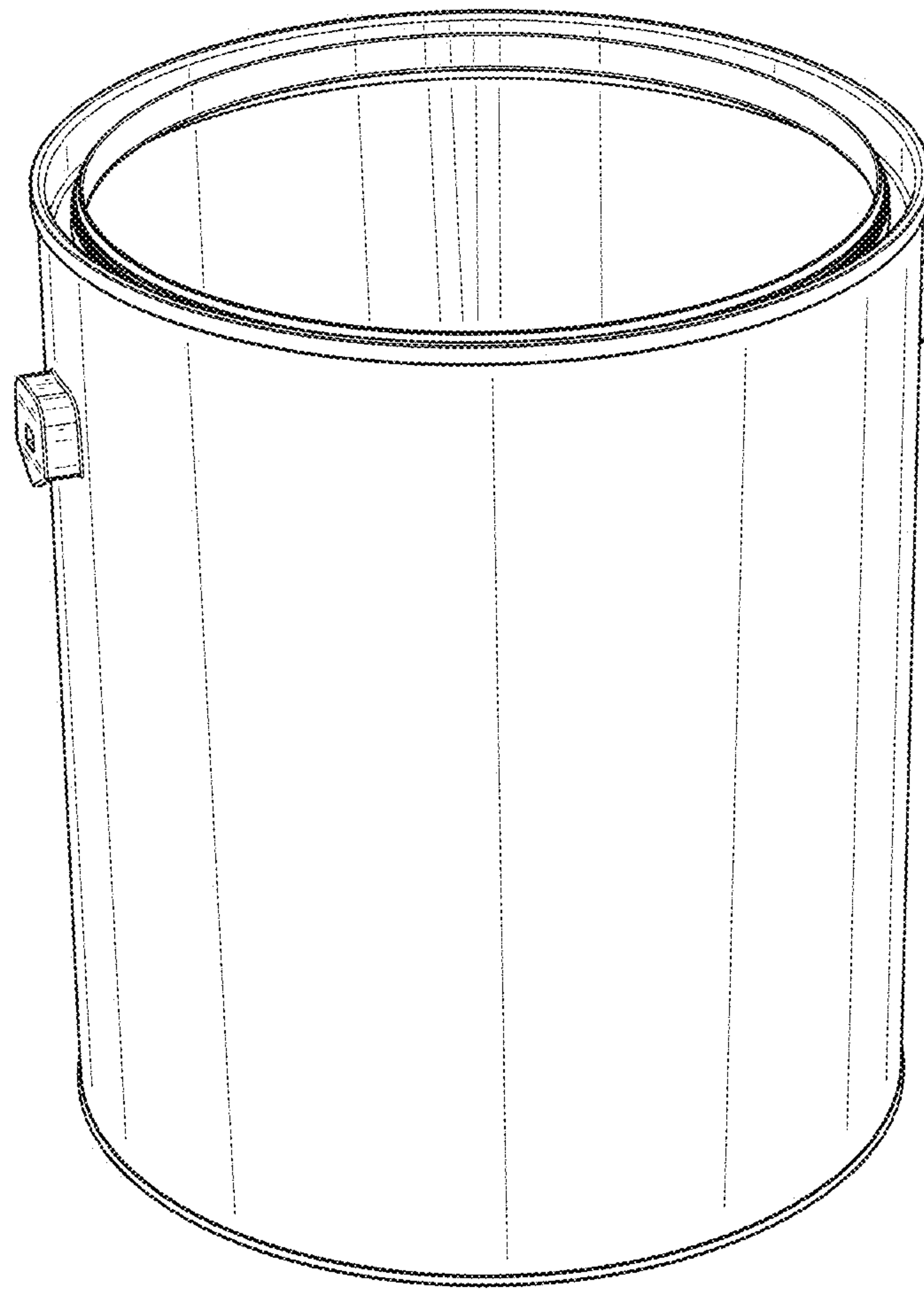


FIG. 1

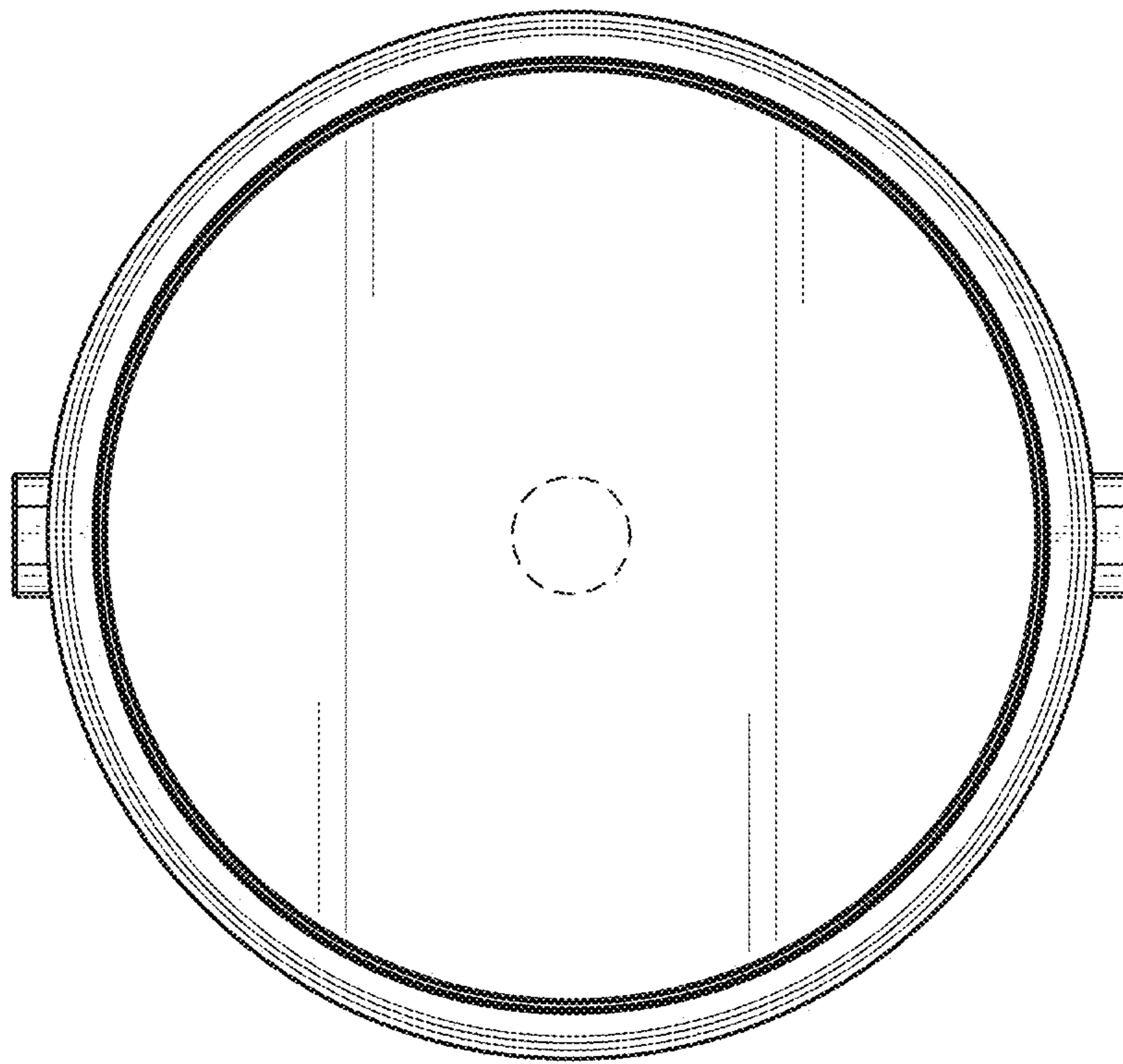


FIG. 2

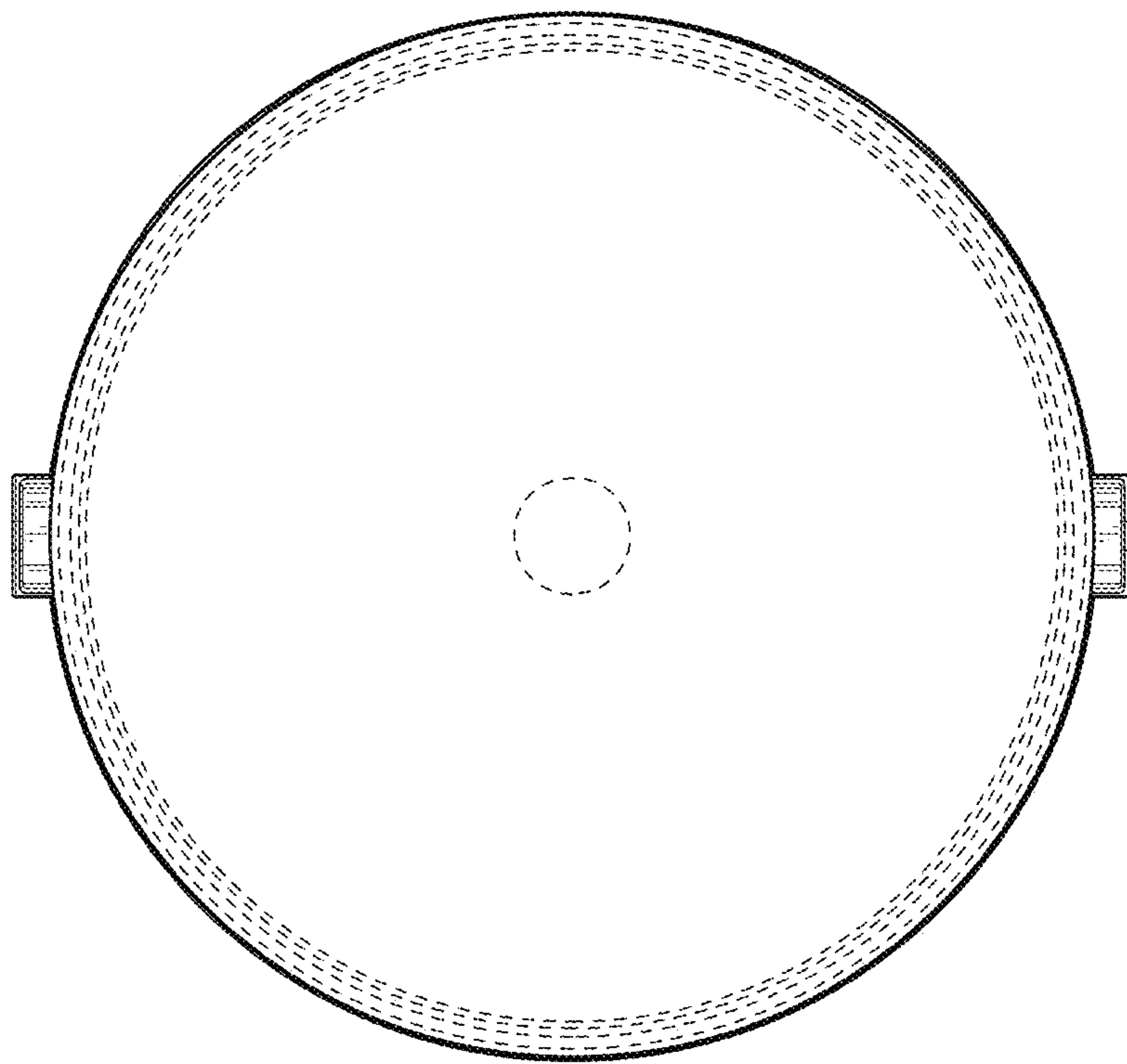


FIG. 3

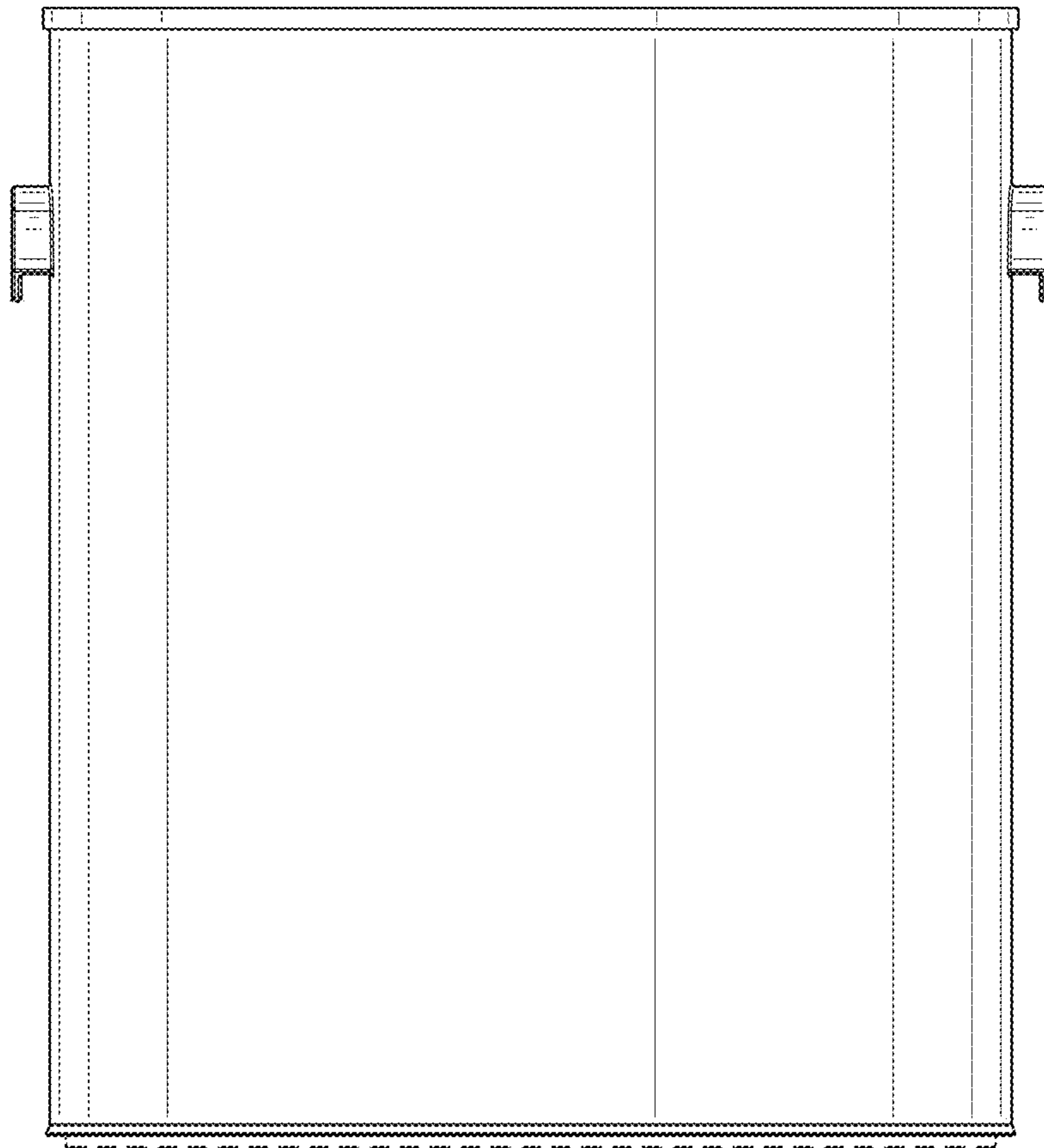


FIG. 4

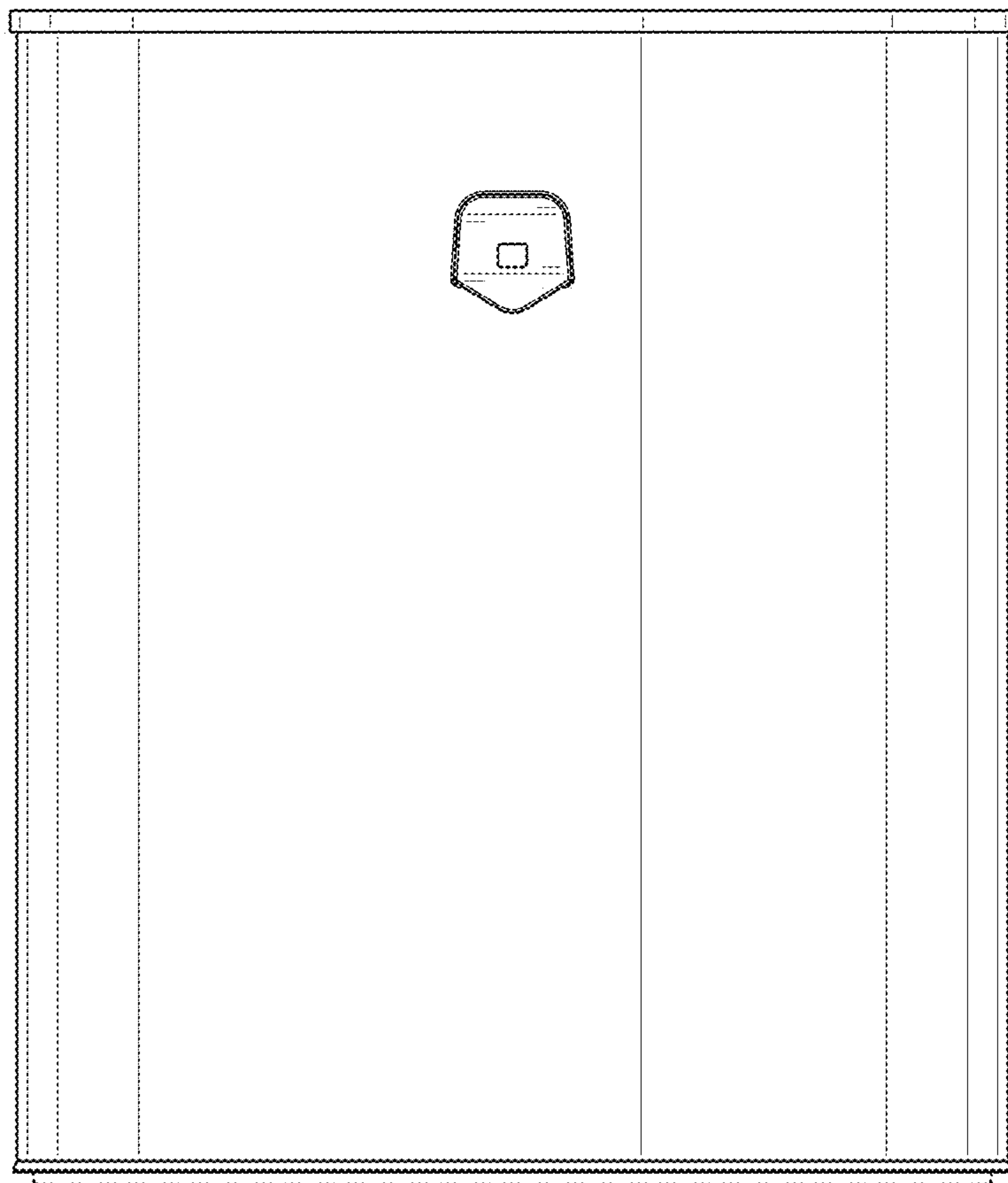


FIG. 5



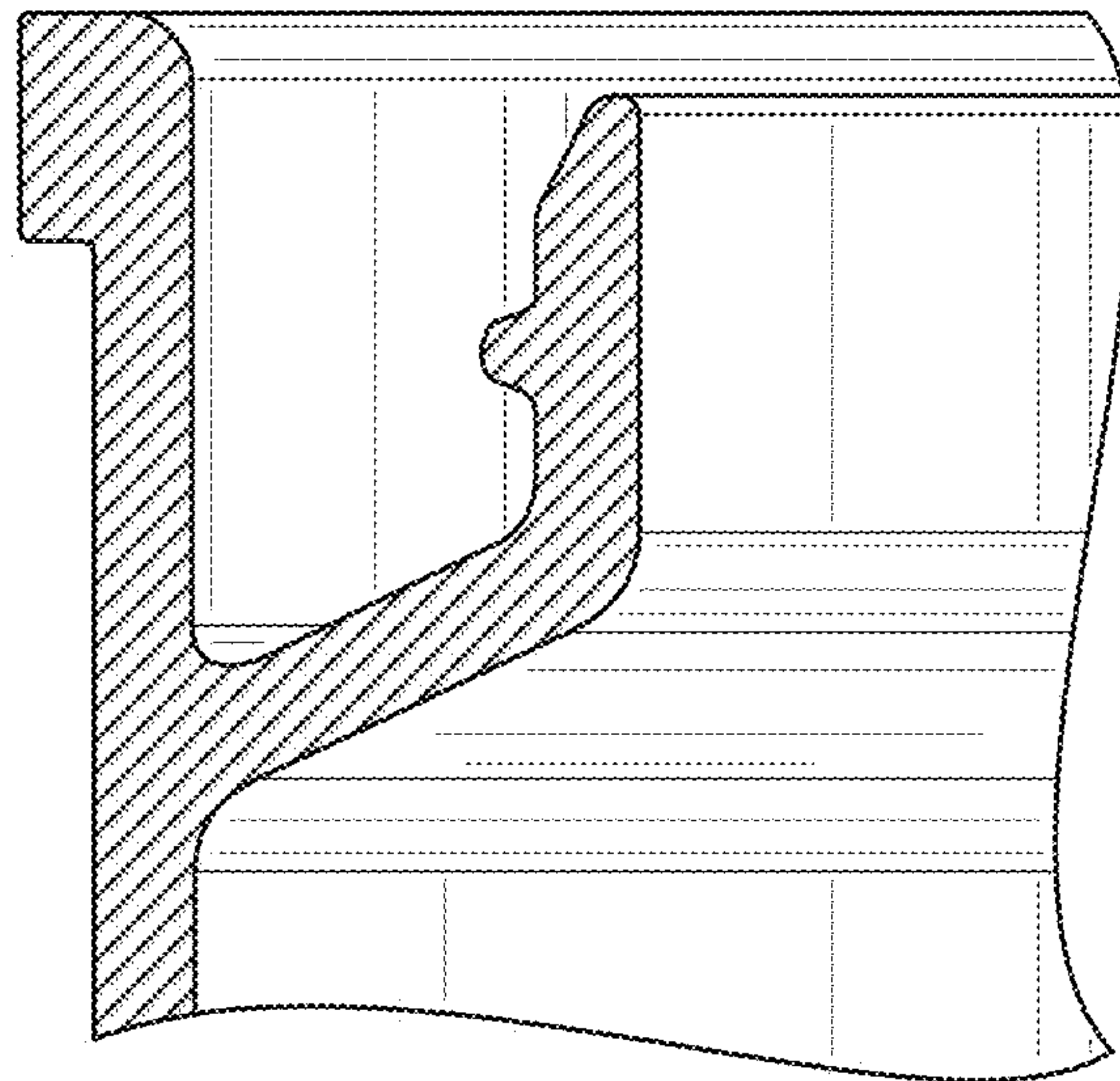


FIG. 6