



US00D942722S

(12) **United States Design Patent**
Lin

(10) **Patent No.:** **US D942,722 S**
(45) **Date of Patent:** **** Feb. 1, 2022**

- (54) **FOAM CANNON FOR PRESSURE WASHER**
- (71) Applicant: **Shanghai Mingbiao Trading Co., Ltd.,**
Shanghai (CN)
- (72) Inventor: **Quanming Lin,** Shanghai (CN)
- (73) Assignee: **Shanghai Mingbiao Trading Co., Ltd.,**
Shanghai (CN)

D636,272 S * 4/2011 Pearson D9/685
 D675,713 S * 2/2013 Christensen D23/225
 D709,988 S * 7/2014 Ford D23/213
 (Continued)

(**) Term: **15 Years**

(21) Appl. No.: **29/778,223**

(22) Filed: **Apr. 12, 2021**

(51) **LOC (13) Cl.** **15-05**

(52) **U.S. Cl.**
USPC **D32/25; D23/225**

(58) **Field of Classification Search**
 USPC D32/1, 4, 15, 16, 25, 23; D8/61, 62, 66,
 D8/107, 303; D9/516, 542, 560, 574,
 D9/685, 719; D23/205, 213, 223, 224,
 D23/225, 226, 230, 252; D27/148
 CPC A46B 5/021; A46B 5/026; A47L 7/0014;
 A47L 11/4075; A47L 11/4083; A47L
 13/03; A47L 13/17; A47L 13/19; B08B
 3/00; B08B 3/003; B08B 3/02; B08B
 3/024; B08B 3/026; B25G 1/00; B25G
 1/10; B25G 3/00; B25G 3/04; Y10S
 16/12; Y10S 16/19; Y10S 16/40; Y10S
 16/41; Y10S 16/90; Y10T 16/44; Y10T
 16/4559; Y10T 16/466; Y10T 16/4713;
 Y10T 74/20732; Y10T 74/20822; Y10T
 74/20864

See application file for complete search history.

(56) **References Cited**

U.S. PATENT DOCUMENTS

- 2,119,906 A * 6/1938 Dorman B05B 15/30
239/343
- D251,793 S * 5/1979 DeGelder D23/225
- D445,952 S 7/2001 Orlando
- D537,977 S 3/2007 Chen

FOREIGN PATENT DOCUMENTS

- CN 304742727 * 7/2018
- GB 2014782 * 7/1992

OTHER PUBLICATIONS

M Mingle Foam Cannon, available in Amazon.ca, date first avail-
 able Oct. 12, 2019 [online], [site visited Nov. 17, 2021], Available
 from the internet URL: [https://www.amazon.ca/MINGLE-Cannon-
 Replacement-Pressure-Connector/dp/B07SWYXDJ2/ref=pb_allspark_
 dp_sims_pao_desktop_session_based_5/131-7770085-4065942?](https://www.amazon.ca/MINGLE-Cannon-

 Replacement-Pressure-Connector/dp/B07SWYXDJ2/ref=pb_allspark_

 dp_sims_pao_desktop_session_based_5/131-7770085-4065942?) (Year:
 2019).*

(Continued)

Primary Examiner — Dana K Weiland
Assistant Examiner — Jennylou M Binas
 (74) *Attorney, Agent, or Firm* — ScienBiziP, P.C.

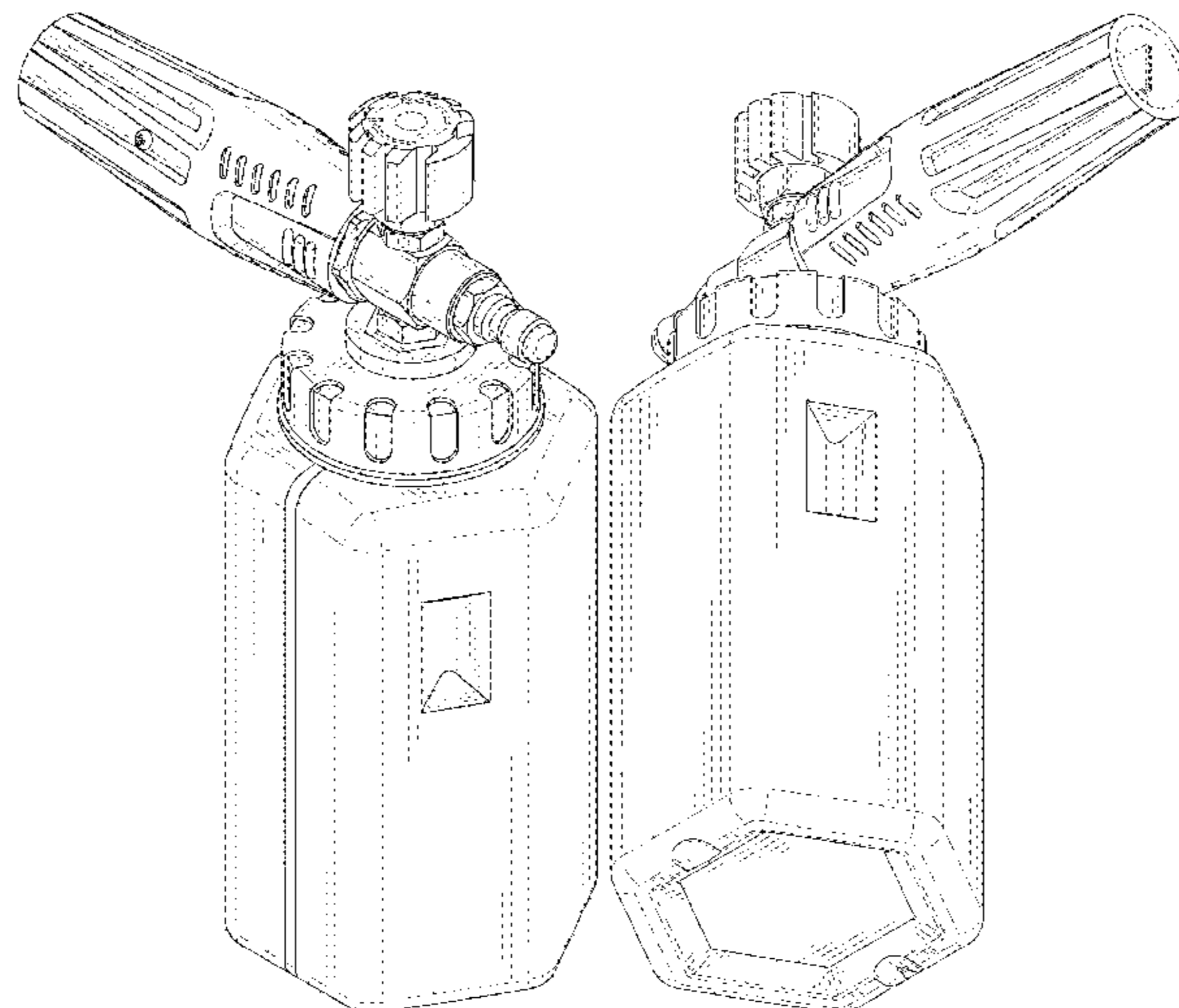
(57) **CLAIM**

The ornamental design for a foam cannon for pressure washer, as shown and described.

DESCRIPTION

FIG. 1 is a front, left, and top perspective view of a foam cannon for pressure washer, showing my design.
 FIG. 2 is a rear, right, and bottom perspective view thereof.
 FIG. 3 is a front elevation view thereof.
 FIG. 4 is a rear elevation view thereof.
 FIG. 5 is a left side elevation view thereof.
 FIG. 6 is a right side elevation view thereof.
 FIG. 7 is a top plan view thereof; and,
 FIG. 8 is a bottom plan view thereof.
 The broken lines shown in the drawings are included for the purpose of illustrating portions of the foam cannon for pressure washer that form no part of the claimed design.

1 Claim, 8 Drawing Sheets



(56)

References Cited

U.S. PATENT DOCUMENTS

D823,091	S	*	7/2018	Burchard	D8/303
D827,773	S	*	9/2018	Schneider	D23/225
D827,774	S	*	9/2018	Schneider	D23/225
D827,775	S	*	9/2018	Schneider	D23/225
D827,776	S	*	9/2018	Schneider	D23/225
D911,489	S	*	2/2021	Spooner	D23/213
D918,341	S	*	5/2021	Wang	D23/225
D923,748	S	*	6/2021	Lo	D23/225

OTHER PUBLICATIONS

FUNTECK Foam Cannon, available in Amazon.ca, date first available Aug. 19, 2019 [online], [site visited Nov. 17, 2021], Available from the internet URL: https://www.amazon.ca/FUNTECK-Adjustable-Compatible-Karchers-Pressure/dp/B07WNGS25C/ref=pd_sbs_4/133-9679745-5060430? (Year: 2019).*

Sun Joe SPX-FC26 26-Oz Adjustable Snow Foamer Cannon, available in Amazon.ca, date first available Mar. 8, 2018 [online], [site visited Nov. 17, 2021], Available from the internet URL: https://www.amazon.ca/dp/B079Z4J9ZV/ref=sspa_dk_detail_3? (Year: 2018).*

* cited by examiner

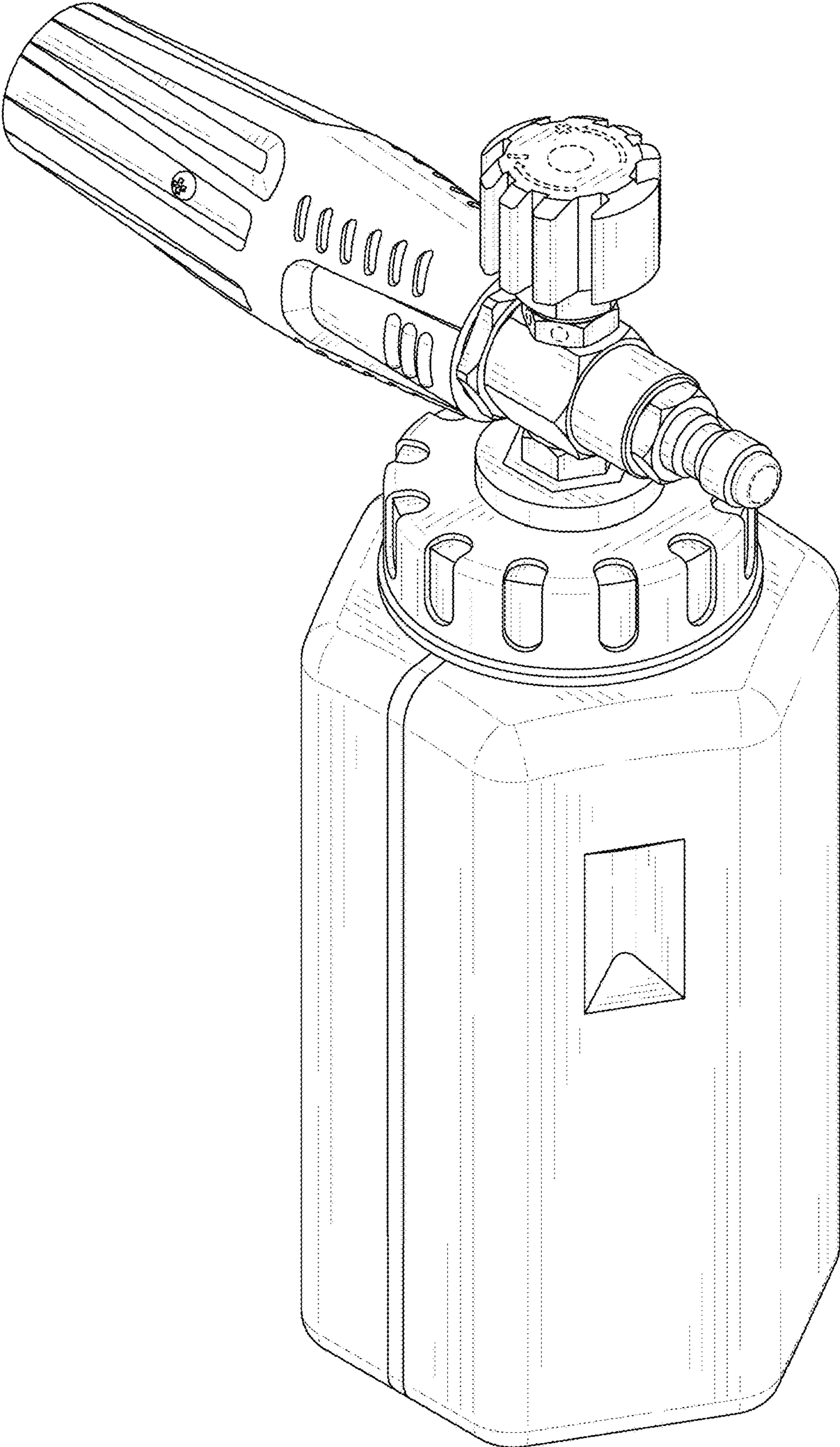


FIG. 1

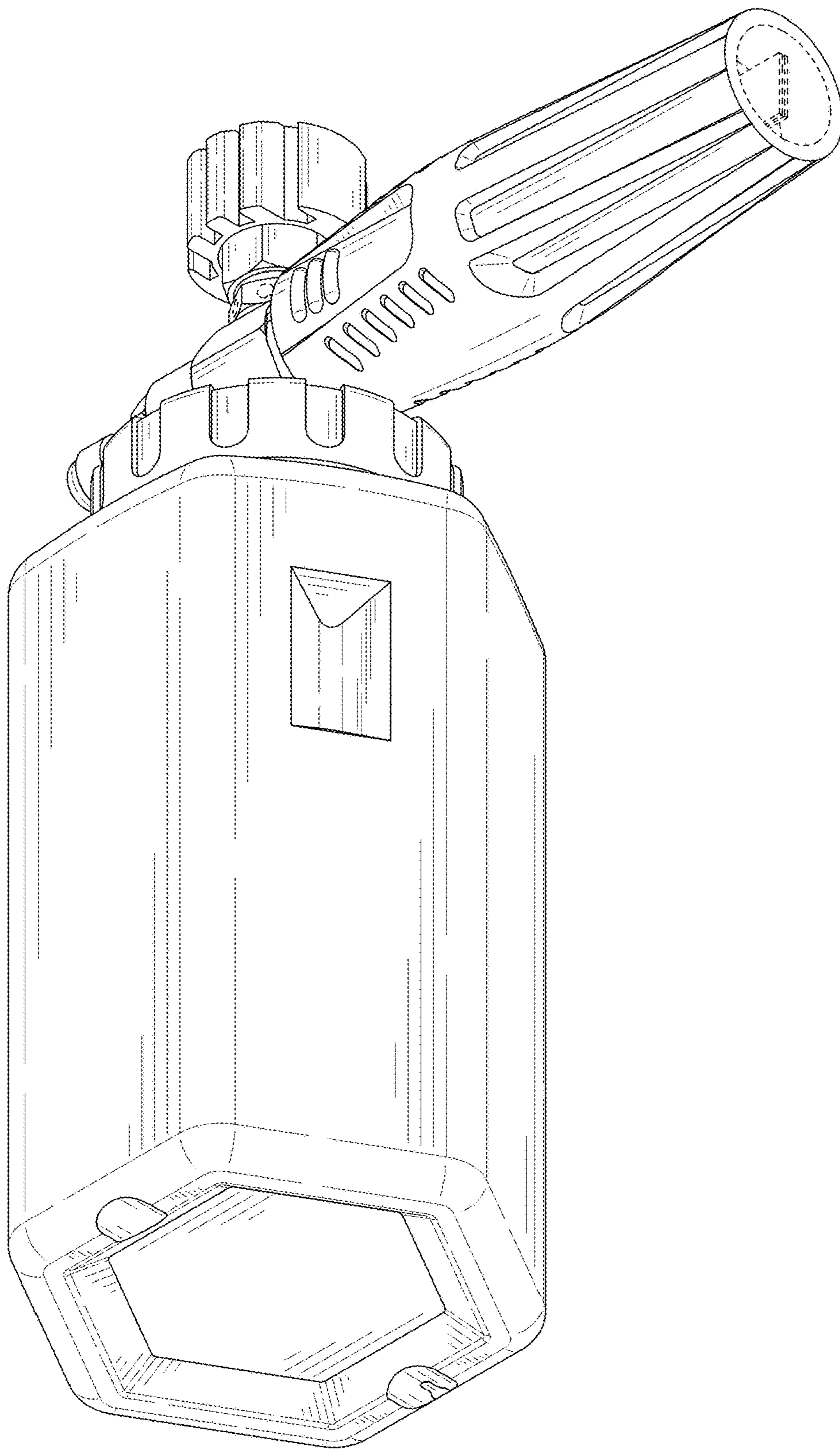


FIG. 2

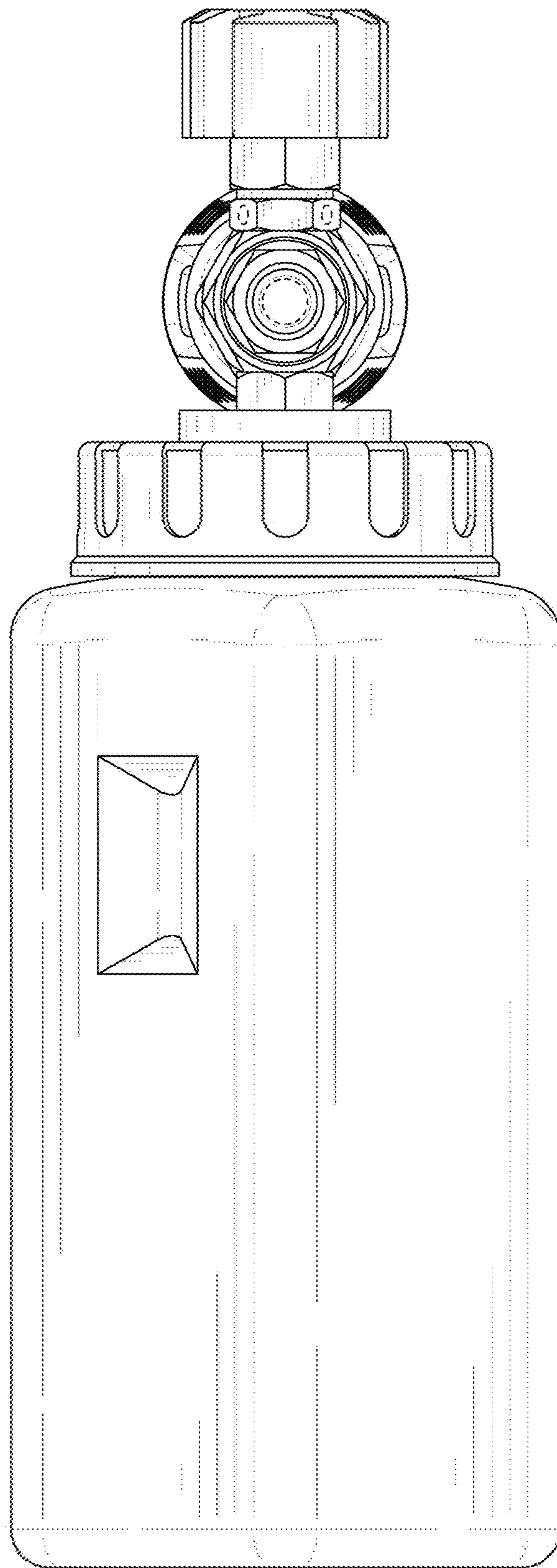


FIG. 3

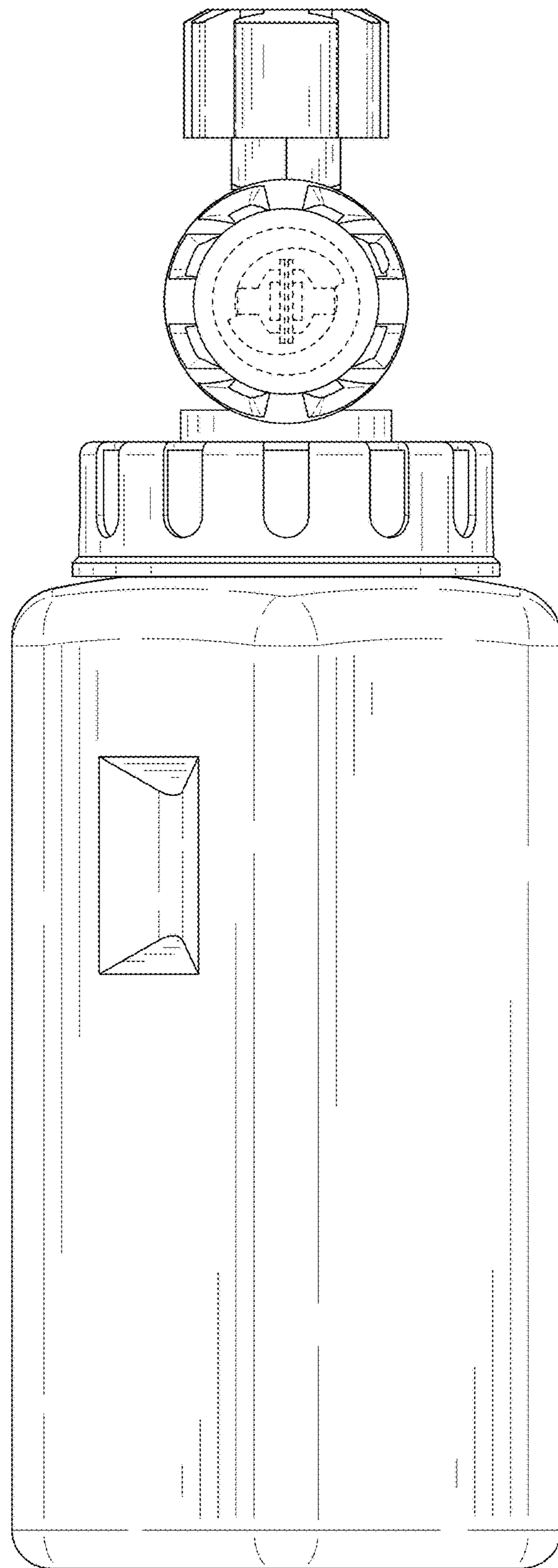


FIG. 4

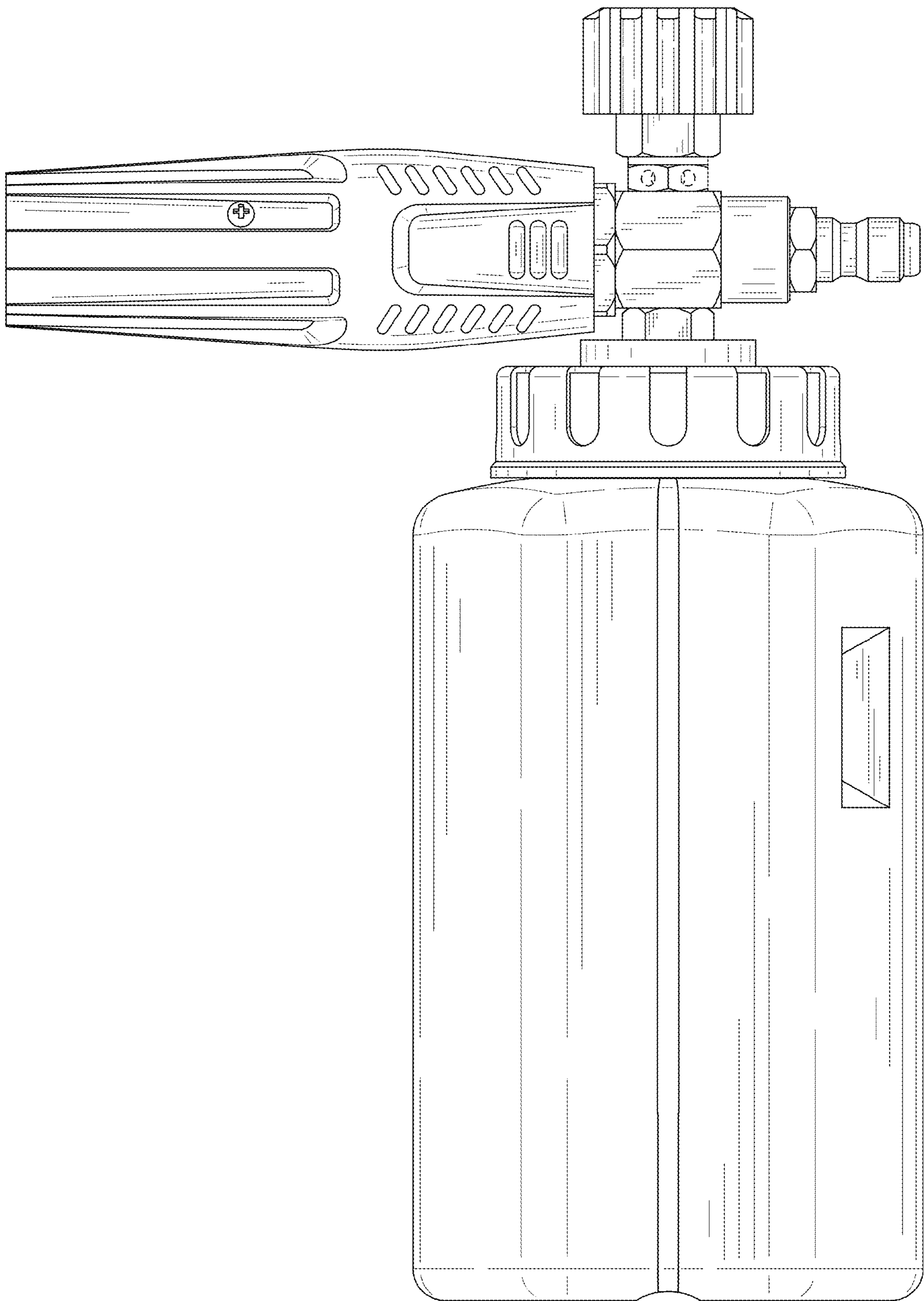


FIG. 5

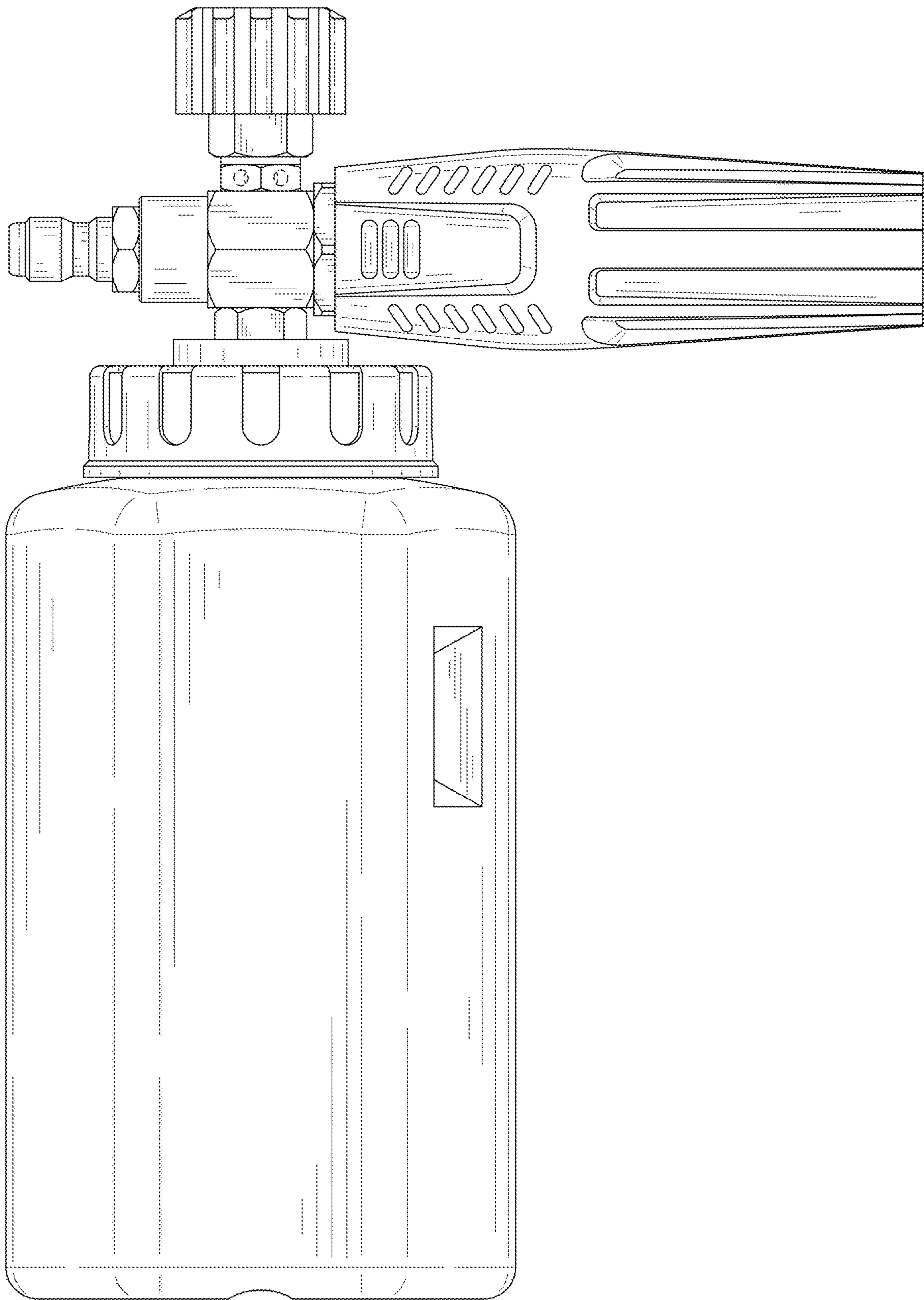


FIG. 6

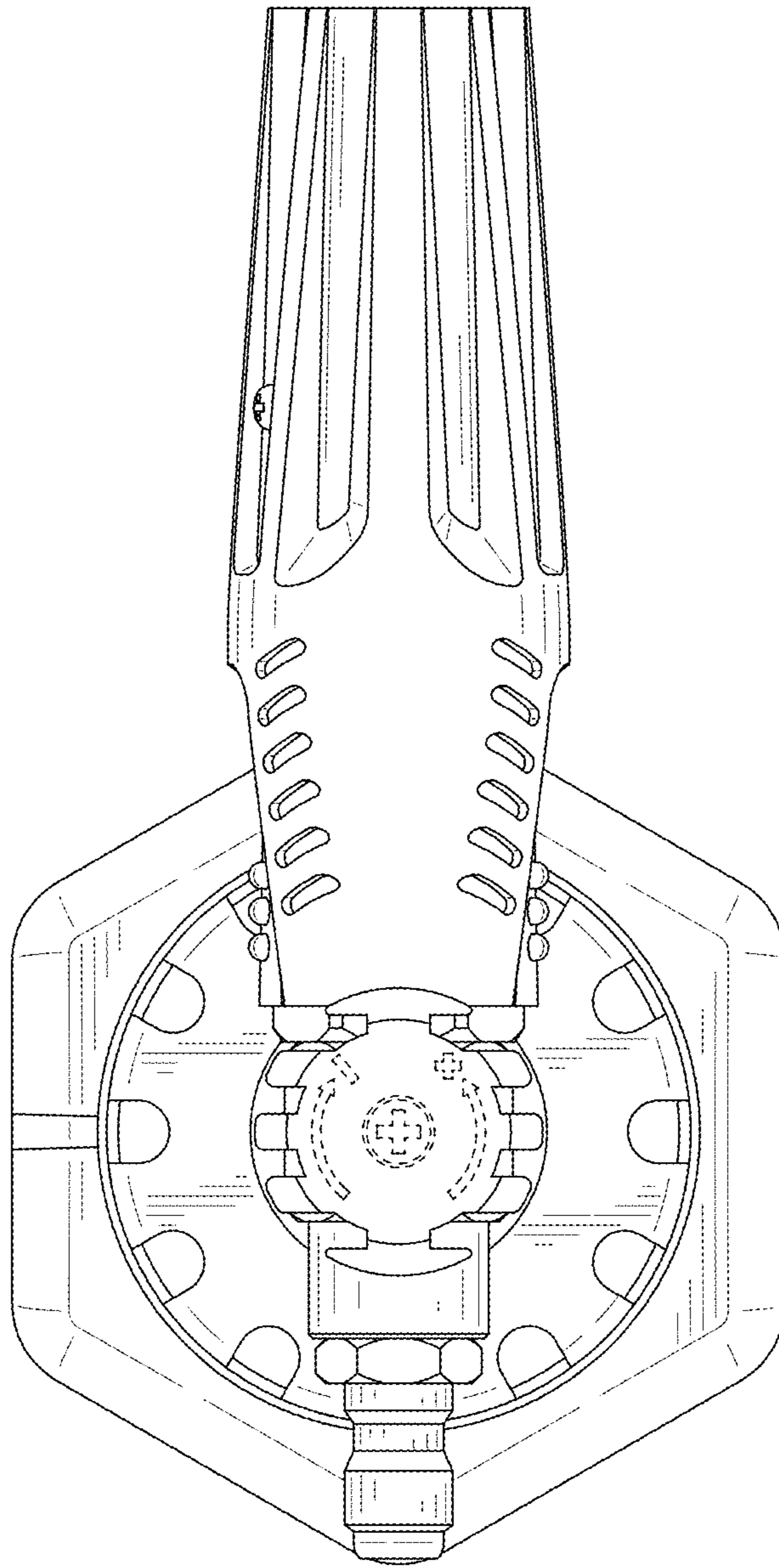


FIG. 7

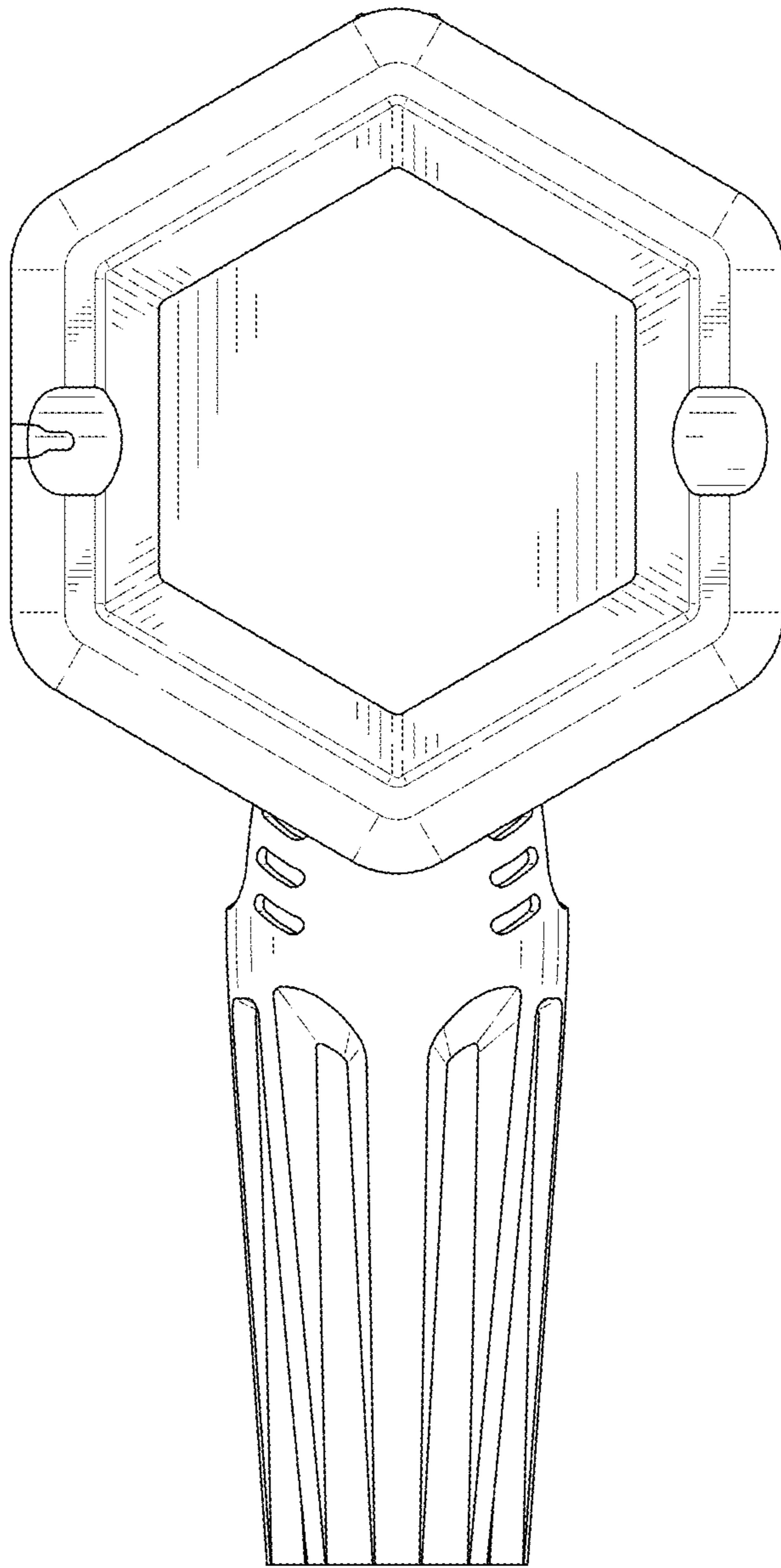


FIG. 8