



US00D942721S

(12) **United States Design Patent**
Yoon et al.

(10) **Patent No.:** **US D942,721 S**
(45) **Date of Patent:** **** Feb. 1, 2022**

(54) **CLEANER**

(71) Applicant: **Samsung Electronics Co., Ltd.**,
Suwon-si (KR)

(72) Inventors: **Sanghoon Yoon**, Suwon-si (KR);
Jinsun Park, Suwon-si (KR);
Kangkyung Lee, Suwon-si (KR);
Hwandong Lee, Suwon-si (KR)

(73) Assignee: **SAMSUNG ELECTRONICS CO., LTD.**,
Gyeonggi-Do (KR)

(**) Term: **15 Years**

(21) Appl. No.: **29/726,308**

(22) Filed: **Mar. 2, 2020**

(30) **Foreign Application Priority Data**

Sep. 3, 2019 (KR) 30-2019-0042470

(51) **LOC (13) Cl.** **15-05**

(52) **U.S. Cl.**
USPC **D32/22**

(58) **Field of Classification Search**
USPC D32/15, 21, 22, 31, 33, 49, 50, 51, 52;
D21/526
CPC A46B 9/06; A47L 5/24; A47L 5/28; A47L
5/30; A47L 5/34; A47L 7/0004; A47L
9/04; A47L 9/325; A47L 9/1683; A47L
11/302; A47L 11/34; A47L 11/4005;
A47L 11/4008; A47L 11/4016; A47L
11/4041; A47L 11/4044; A47L 11/4088;
A47L 13/225; B04C 5/185; B08B 3/04;
B23Q 11/0046; B23Q 11/0071; E04H
4/1636

See application file for complete search history.

(56) **References Cited**

U.S. PATENT DOCUMENTS

D43,654 S * 2/1913 Straschnow D32/22
D114,601 S * 5/1939 Rosen et al. D32/45

D155,903 S * 11/1949 Kelly D32/22
D157,774 S * 3/1950 Minerley D32/22
D188,411 S * 7/1960 Gantz D32/22
D189,124 S * 11/1960 Kelnhofer D32/22

(Continued)

FOREIGN PATENT DOCUMENTS

CN 303454266 11/2015
CN 306604287 * 6/2021

(Continued)

OTHER PUBLICATIONS

SWDK Cordless Slight Wet Electronic Mop, available in Amazon.com, available in Amazon.com, date first available Aug. 27, 2020 [online], [site visited Jul. 26, 2021], Available from the internet URL: https://www.amazon.com/dp/B08GSM5F25/ref=cm_sw_r_em_apa_glt_fabc_E5C90CXFJYT640MKKB0W?_encoding=UTF8&pvc=1 (Year: 2020).*

Primary Examiner — Dana K Weiland

Assistant Examiner — Jennylou M Binas

(74) *Attorney, Agent, or Firm* — Cantor Colburn LLP

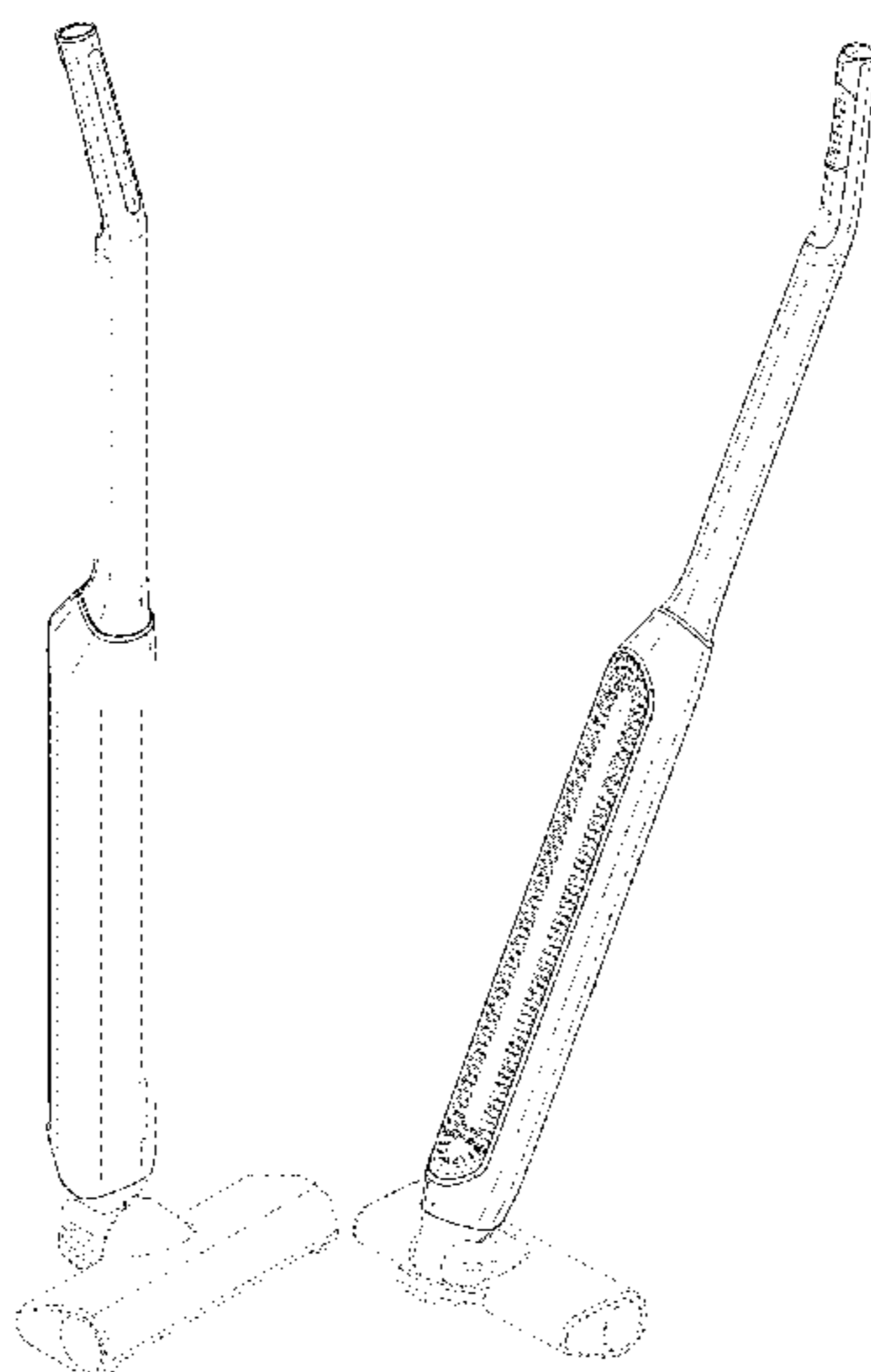
(57) **CLAIM**

The ornamental design for a cleaner, as shown and described.

DESCRIPTION

FIG. 1 is a front perspective view of a cleaner, showing our new design;
FIG. 2 is a front view thereof;
FIG. 3 is a rear view thereof;
FIG. 4 is a left-side view thereof;
FIG. 5 is a right-side view thereof;
FIG. 6 is a top view thereof;
FIG. 7 is a bottom view thereof; and,
FIG. 8 is a rear perspective view thereof.
The broken lines depict portions of the cleaner that form no part of the claimed design.

1 Claim, 7 Drawing Sheets



(56)

References Cited

U.S. PATENT DOCUMENTS

D191,300 S * 9/1961 Anderson D32/22
 D198,443 S * 6/1964 Mango D32/22
 D203,968 S * 3/1966 Lagerstrom D32/22
 D280,661 S * 9/1985 Hill D23/383
 D296,486 S * 6/1988 Staubitz D32/22
 D305,373 S * 1/1990 Yamamoto D32/22
 D364,948 S * 12/1995 Hunt D32/45
 D382,681 S * 8/1997 Thomas D32/22
 D398,096 S * 9/1998 Gildersleeve D32/22
 D398,099 S * 9/1998 Leung D32/22
 D420,475 S * 2/2000 Yuen D32/22
 D482,506 S * 11/2003 Honda D32/22
 D482,829 S * 11/2003 Vosbikian D32/45
 D539,977 S * 4/2007 Wen D21/725
 D558,943 S * 1/2008 Labarbera D32/22
 D667,065 S * 9/2012 Cavanagh D21/725
 D714,407 S * 9/2014 Santorelli D21/725

D731,608 S * 6/2015 Krouse D21/756
 D743,125 S * 11/2015 Lee D32/22
 D872,396 S * 1/2020 Miyawaki D32/22

FOREIGN PATENT DOCUMENTS

CN 306648181 * 6/2021
 CN 306663207 * 7/2021
 CN 306713721 * 7/2021
 CN 306722481 * 7/2021
 DE 402015100559-0001 4/2015
 EM 0022644240007 7/2013
 GB 2064891 * 10/1997
 JP D1488410 1/2014
 JP D1642674 * 10/2019
 JP D1642675 * 10/2019
 KR 300787218.0000 3/2015
 KR 301119913.0000 * 7/2021

* cited by examiner

FIG. 1

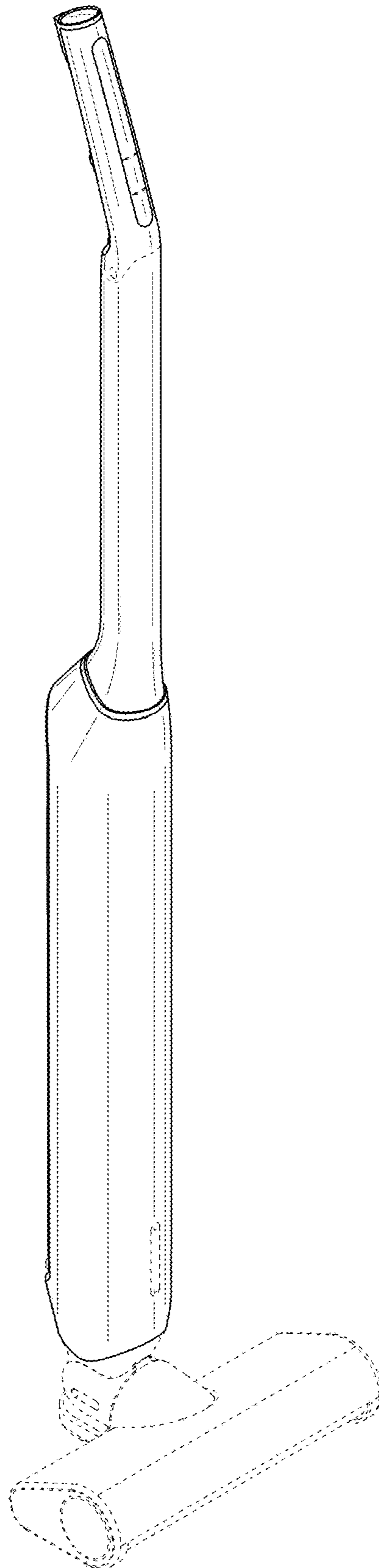


FIG. 2

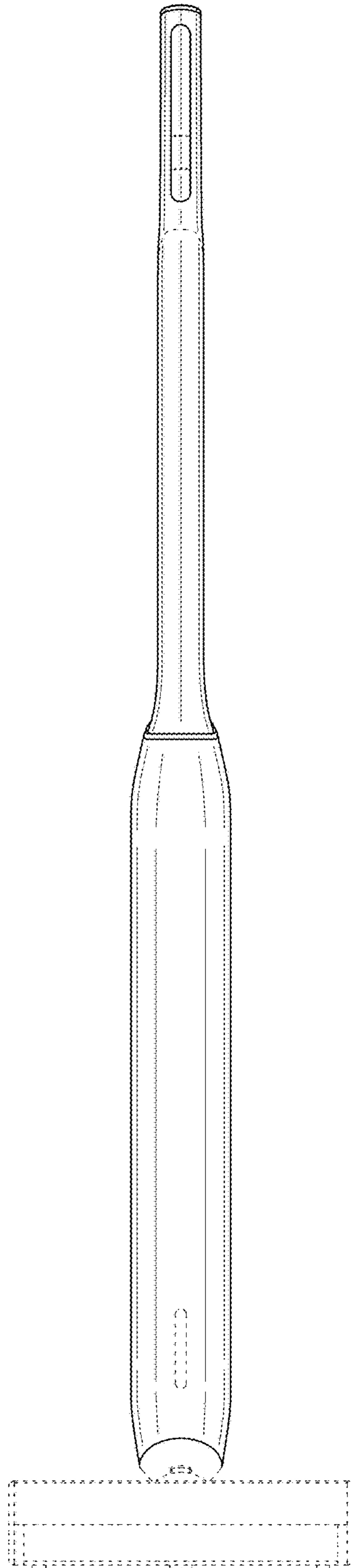


FIG. 3

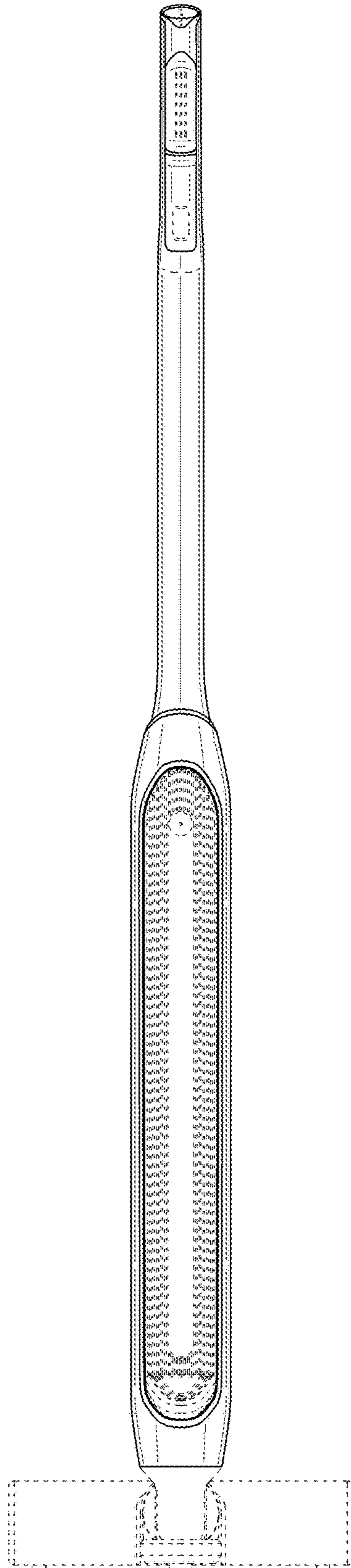


FIG. 4

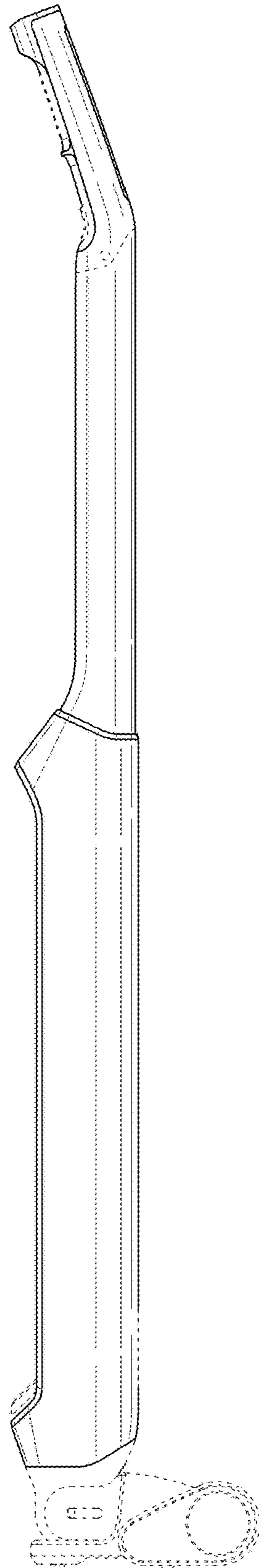


FIG. 5

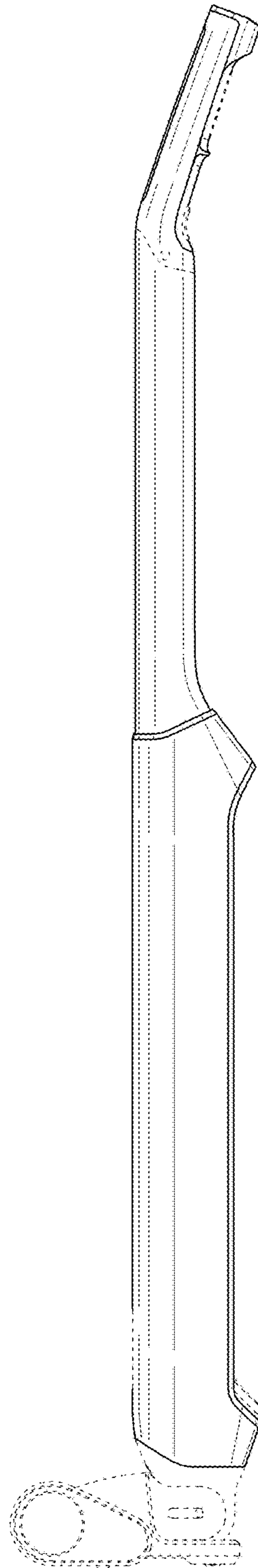


FIG. 6

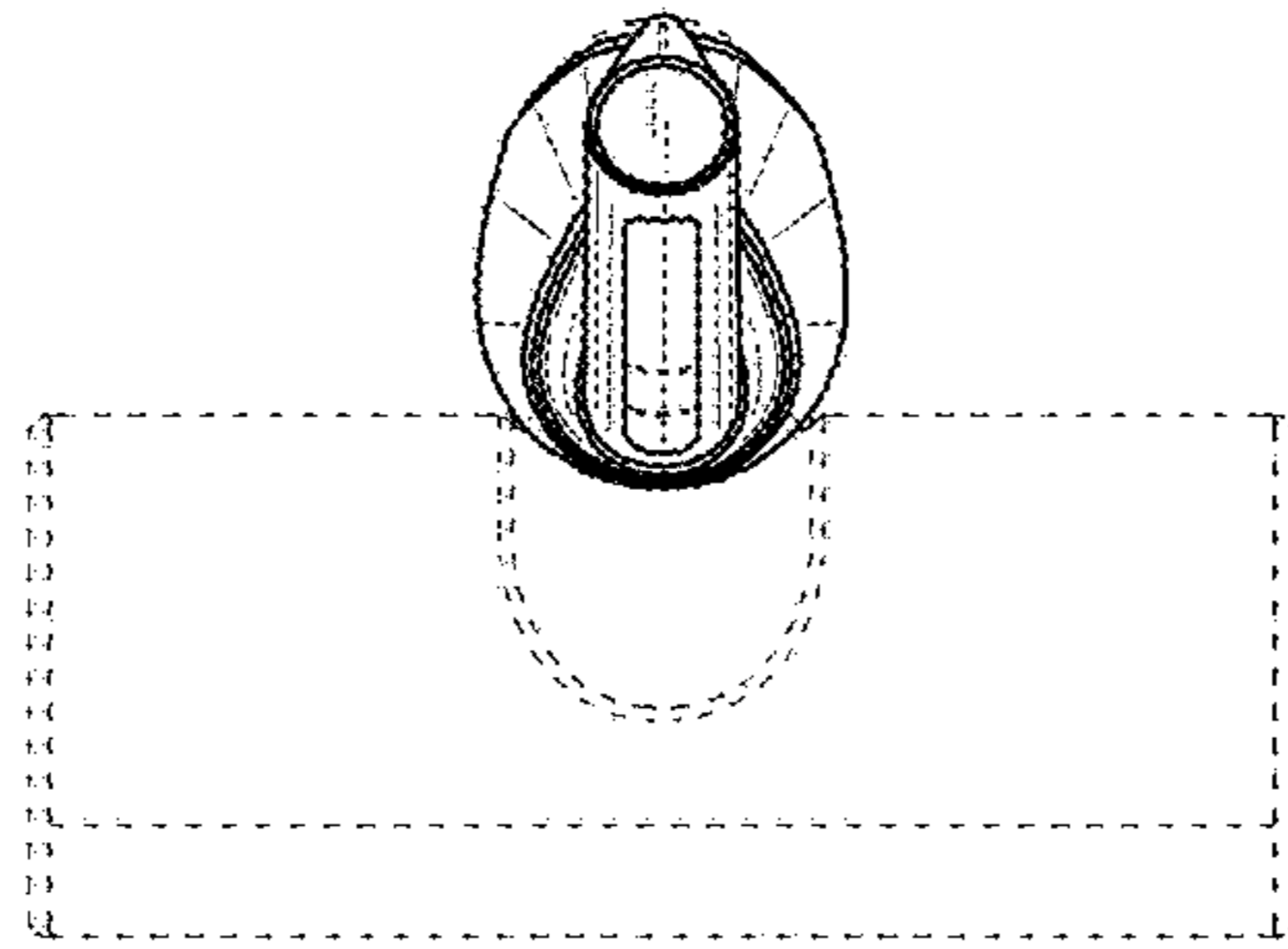


FIG. 7

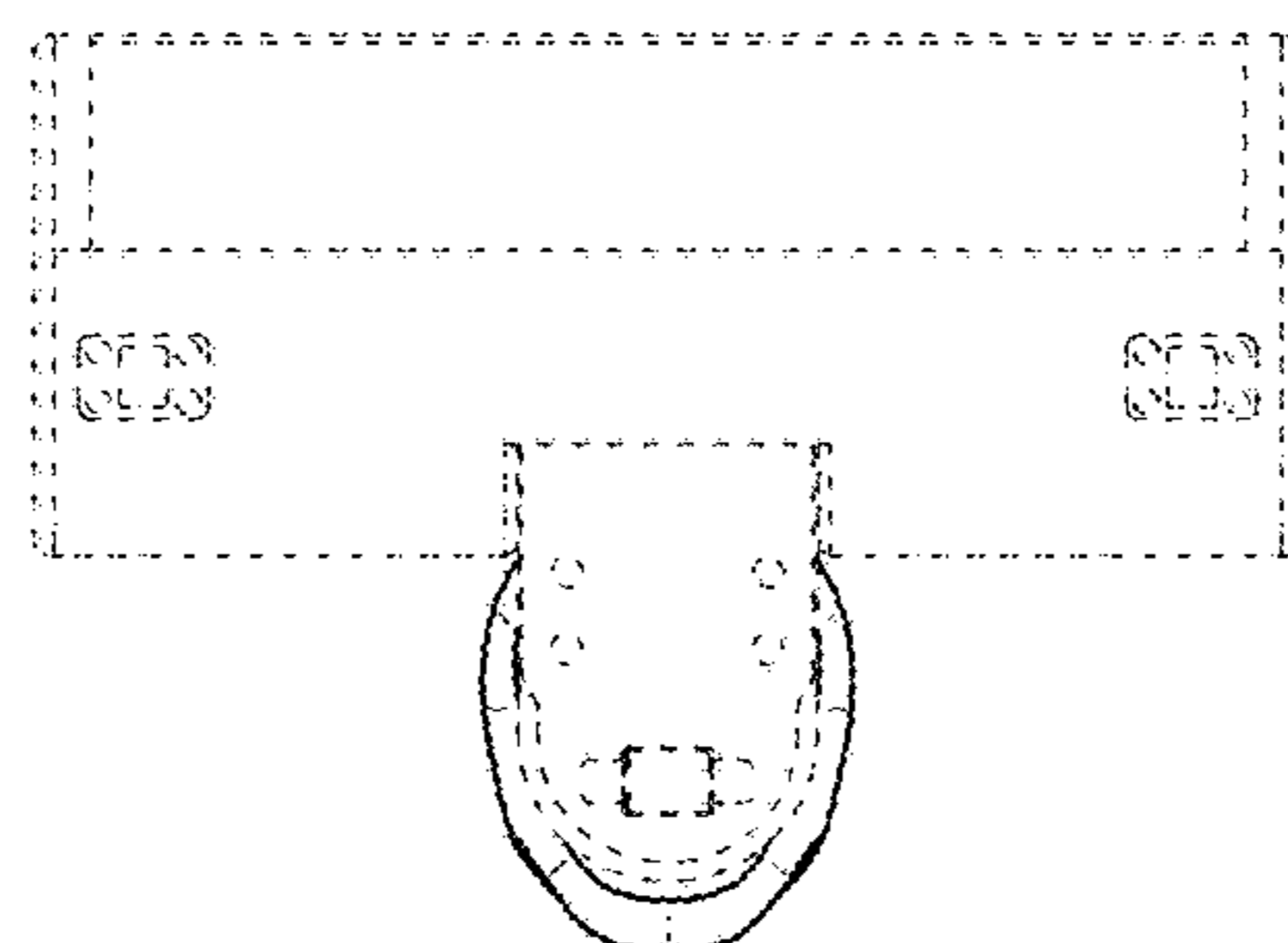


FIG. 8

