



US00D942720S

(12) **United States Design Patent** (10) **Patent No.:** **US D942,720 S**
Niedzwecki et al. (45) **Date of Patent:** **** Feb. 1, 2022**

(54) **VACUUM CLEANER**

(71) Applicant: **SHARKNINJA OPERATING LLC**,
Needham, MA (US)

(72) Inventors: **Scott B. Niedzwecki**, Walpole, MA
(US); **Robert J. Bone**, Stoughton, MA
(US)

(73) Assignee: **SHARKNINJA OPERATING LLC**,
Needham, MA (US)

(**) Term: **15 Years**

(21) Appl. No.: **29/726,020**

(22) Filed: **Feb. 28, 2020**

(51) **LOC (13) Cl.** **15-05**

(52) **U.S. Cl.**
USPC **D32/22; D32/18**

(58) **Field of Classification Search**
USPC **D32/17, 18, 22, 31; D21/526**
(Continued)

(56) **References Cited**

U.S. PATENT DOCUMENTS

D731,130 S * 6/2015 Dyson D32/18
D770,111 S * 10/2016 Lee D32/34
(Continued)

FOREIGN PATENT DOCUMENTS

CA 179448 * 3/2021
CN 304887706 * 11/2018
(Continued)

OTHER PUBLICATIONS

Shark Anti Hair Wrap Corded Stick Vacuum Cleaner, available in Amazon.co.uk, date first available Aug. 25, 2020 [online], [site visited Apr. 2, 2021], Available from the internet . . . URL: <https://www.amazon.co.uk/Shark-Corded-Cleaner-Flexology->

HZ500UKT/dp/B08GLGJJ81/ref=sr_1_1?dchild=1&keywords=Shark+Anti+Hair+Wrap+Corded+Stick+Vacuum+Cleaner+with+Flexology+%5BHZ500UKT%5D%2C+Pet+Model%2C+Rose+Gold&qid=1617817799&sr=8-1 (Year: 2020).*

(Continued)

Primary Examiner — Dana K Weiland
Assistant Examiner — Jennylou M Binas

(74) *Attorney, Agent, or Firm* — Grossman, Tucker, Perrealt & Pfleger, PLLC

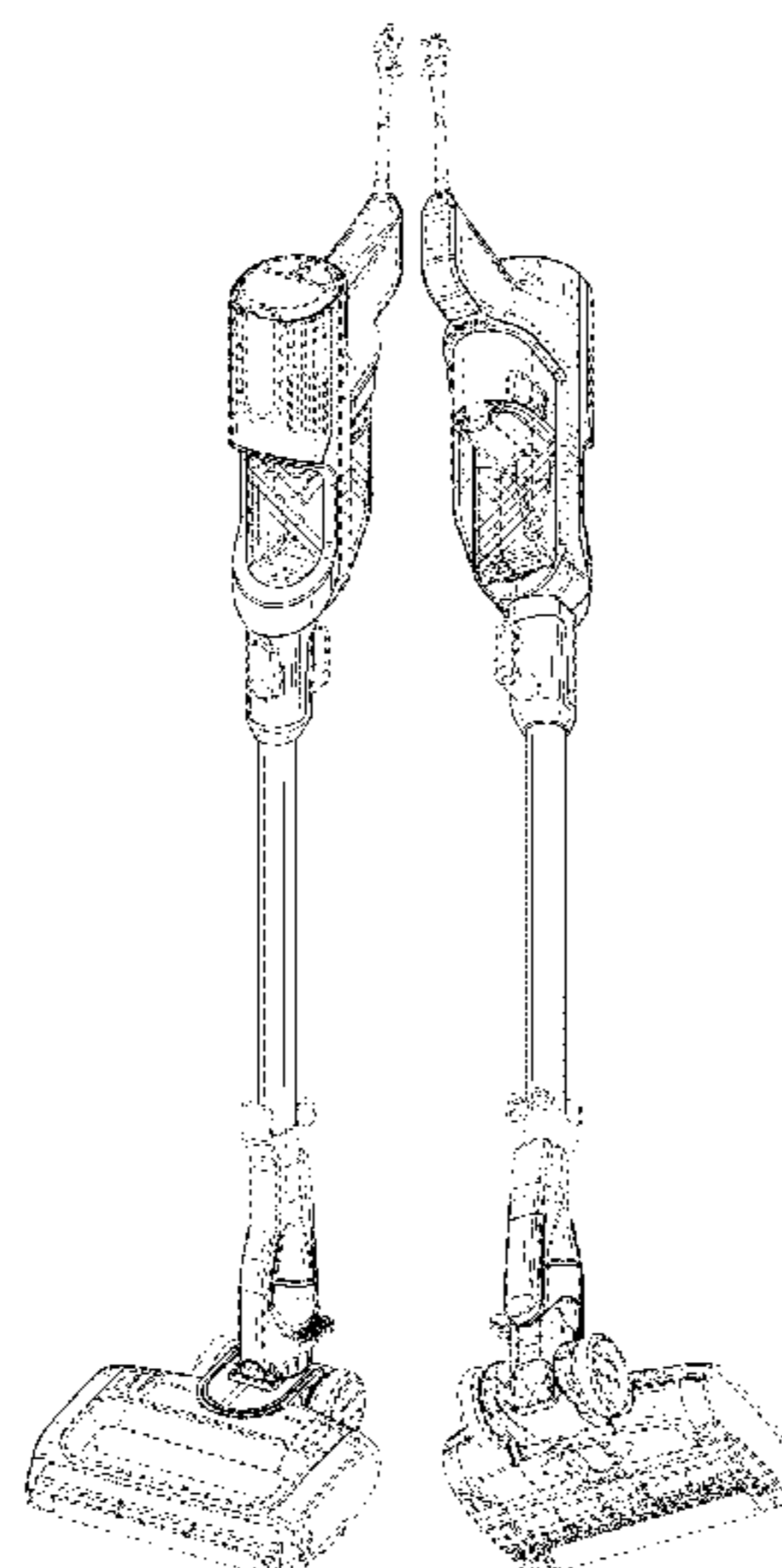
(57) **CLAIM**

The ornamental design for a vacuum cleaner, as shown and described.

DESCRIPTION

FIG. 1 is a perspective front, top, right view of a vacuum cleaner showing the claimed design;
FIG. 2 is perspective front, top, left view of the vacuum cleaner of FIG. 1;
FIG. 3 is a perspective front, bottom, right view of the vacuum cleaner of FIG. 1;
FIG. 4 is a perspective front, bottom, left view of the vacuum cleaner of FIG. 1;
FIG. 5 is a perspective rear, top, right view of the vacuum cleaner of FIG. 1;
FIG. 6 is a perspective rear, top, left view of the vacuum cleaner of FIG. 1;
FIG. 7 is a perspective rear, bottom, right view of the vacuum cleaner of FIG. 1;
FIG. 8 is a perspective rear, bottom, left view of the vacuum cleaner of FIG. 1;
FIG. 9 is a front view of the vacuum cleaner of FIG. 1;
FIG. 10 is a rear view of the vacuum cleaner of FIG. 1;
FIG. 11 is a right view of the vacuum cleaner of FIG. 1;
FIG. 12 is a left view of the vacuum cleaner of FIG. 1;
FIG. 13 is a top view of the vacuum cleaner of FIG. 1; and,
FIG. 14 is a bottom view of the vacuum cleaner of FIG. 1.
The broken lines in the drawings depict portions of the vacuum cleaner that form no part of the claimed design.

1 Claim, 8 Drawing Sheets



(58) **Field of Classification Search**

CPC A47L 5/24; A47L 5/28; A47L 5/30; A47L 5/34; A47L 5/36; A47L 9/04; A47L 9/102; A47L 9/106; A47L 11/30; A47L 11/302; A47L 11/4005; A47L 11/4008; A47L 11/4044; B04C 5/185; B23Q 11/0046; B23Q 11/0071; E04H 4/1636

See application file for complete search history.

D908,990 S * 1/2021 Chen D32/22
D912,344 S * 3/2021 Choi D32/22
2018/0289227 A1* 10/2018 Takano A47L 9/0081
2020/0274382 A1* 8/2020 Conrad A47L 9/2894

FOREIGN PATENT DOCUMENTS

IN 296545-0001 * 6/2018
JP D1567165 * 1/2017

(56) **References Cited**

U.S. PATENT DOCUMENTS

D800,980 S * 10/2017 Carter D32/21
D819,282 S * 5/2018 Kim D32/22
D861,268 S * 9/2019 Meyer D32/22
D862,011 S * 10/2019 Kim D32/22
D870,406 S * 12/2019 Niedzwecki D32/33
D897,616 S * 9/2020 Chen D32/22
D905,919 S * 12/2020 Niedzwecki D32/34

OTHER PUBLICATIONS

Shark HZ2002 Vertex Corded Ultralight, available in Amazon.ca, date first available Jun. 9, 2020 [online], [site visited Apr. 2, 2021], Available from the internet . . . URL: https://www.amazon.ca/Shark-HZ2002-Ultralight-PowerFins-Self-Cleaning/dp/B089TQGC8T/ref=sr_1_1?dchild=1&keywords=shark+hz2002+vertex+corded+ultralight&qid=1617818360&sr=8-1 (Year: 2020).*

* cited by examiner

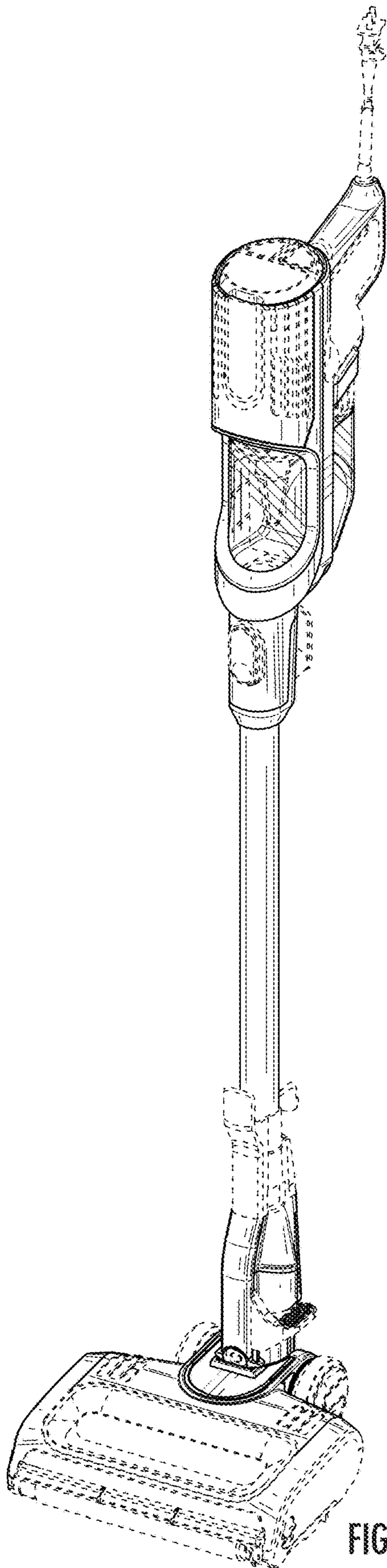


FIG. 1

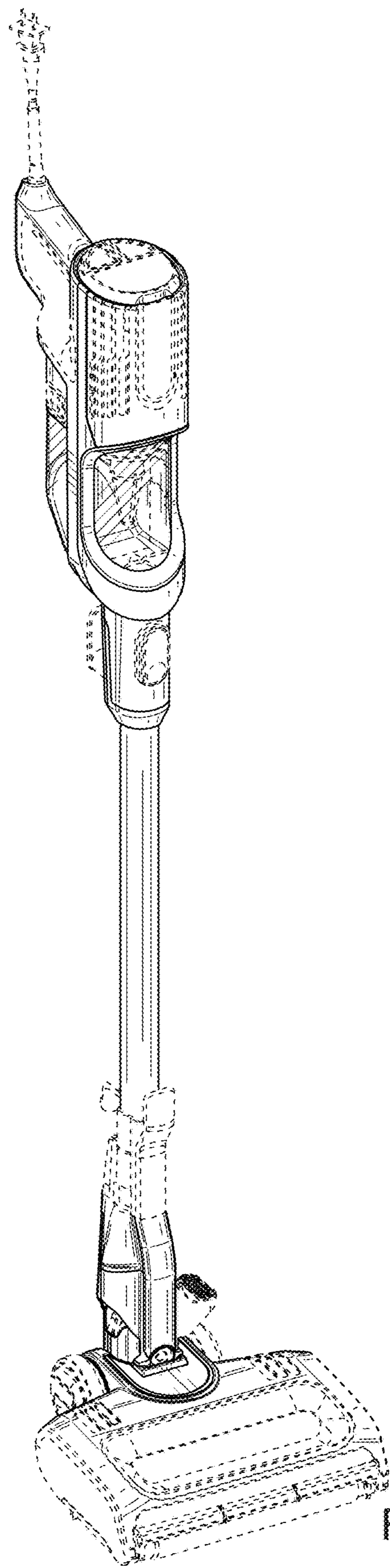
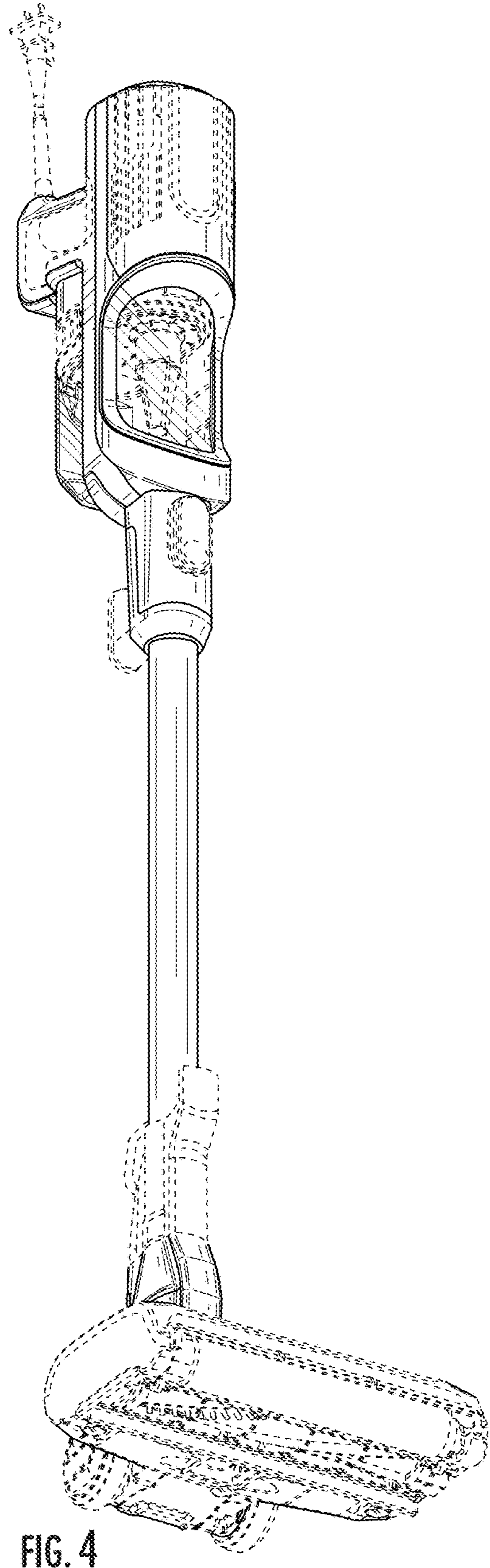
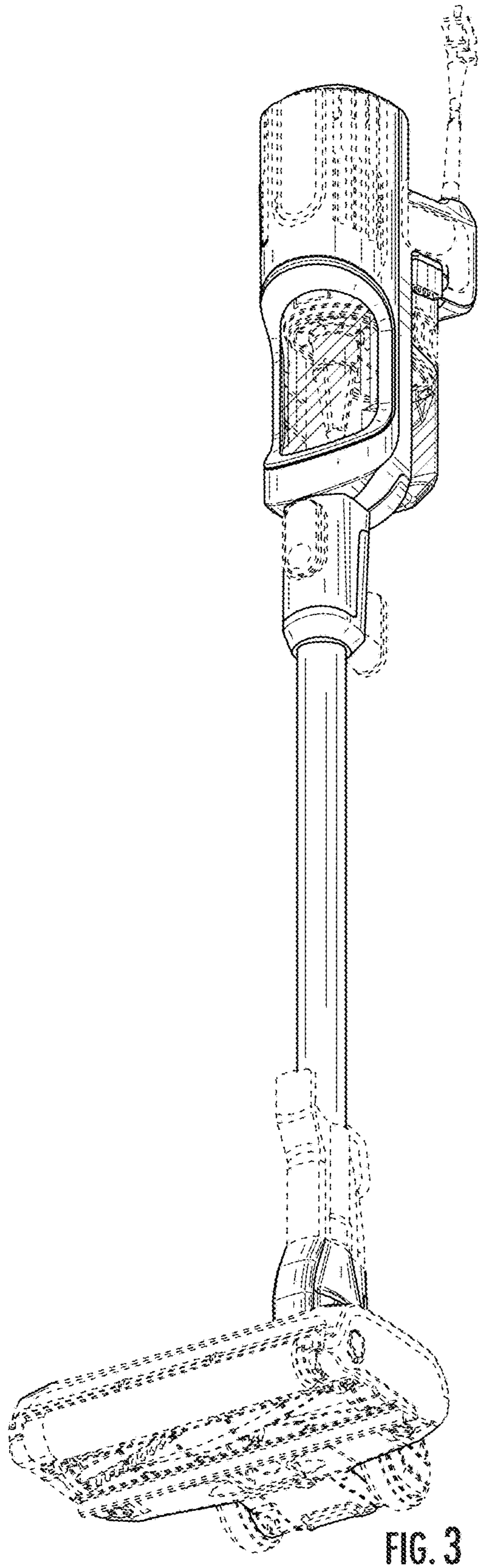


FIG. 2



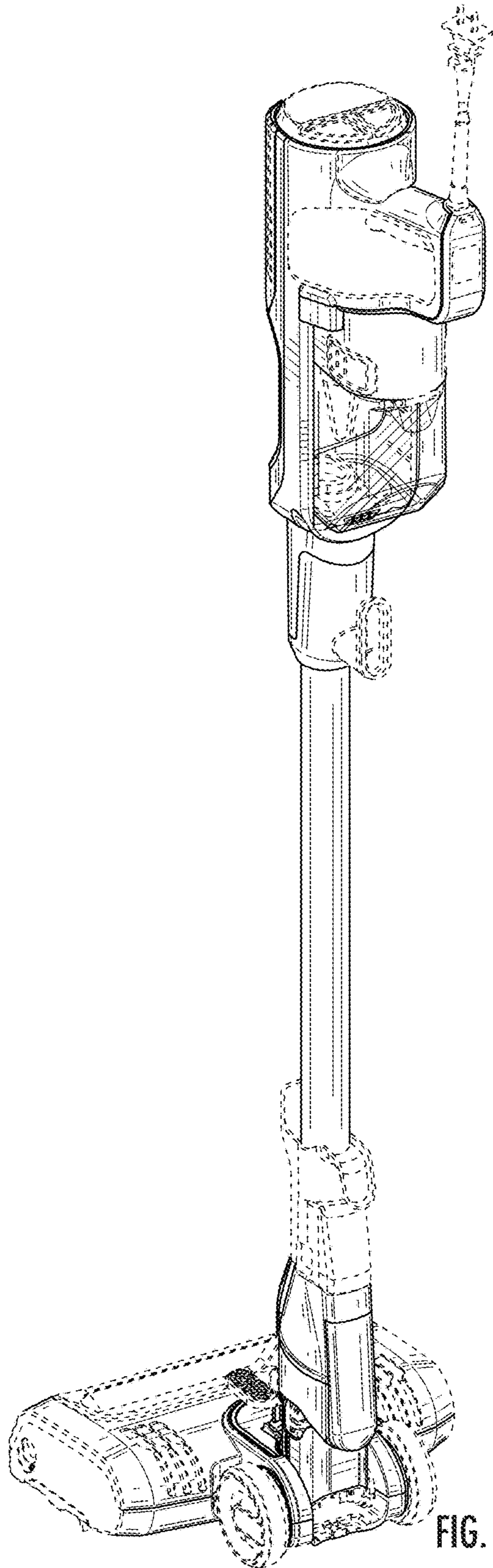


FIG. 5

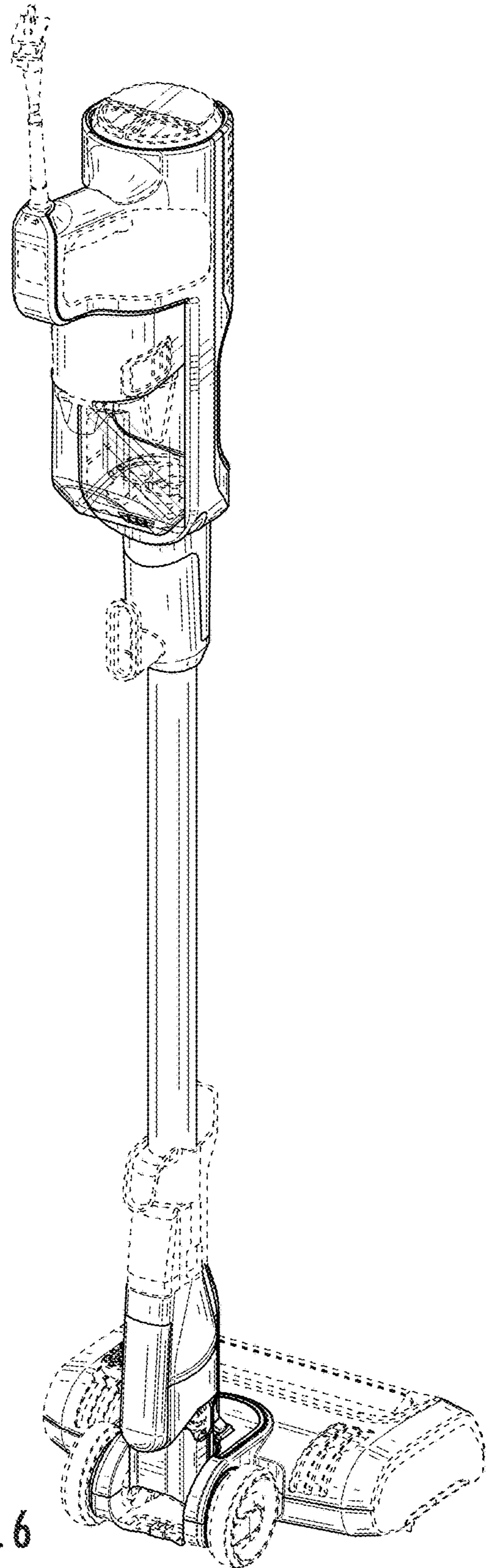


FIG. 6

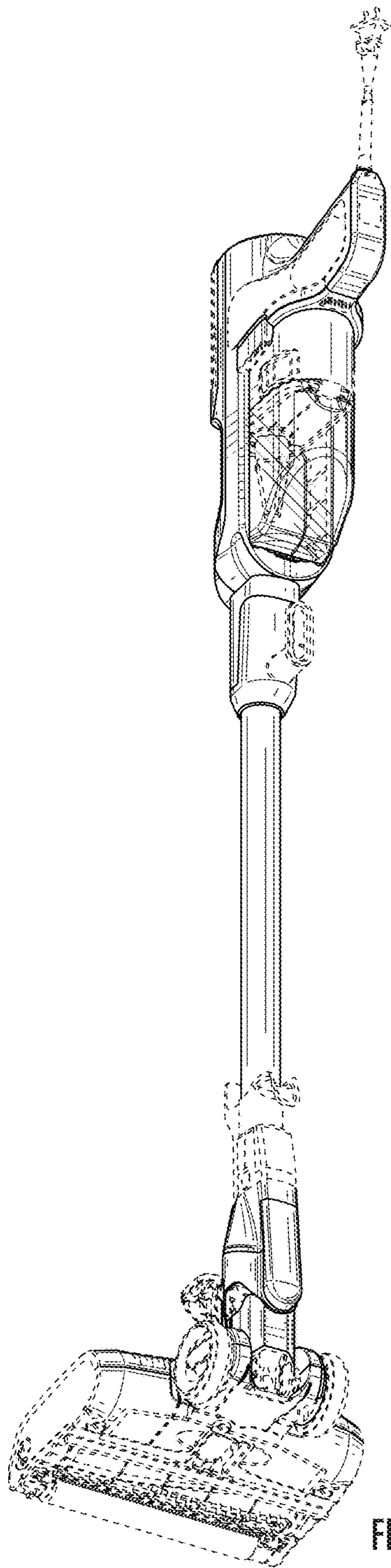


FIG. 7

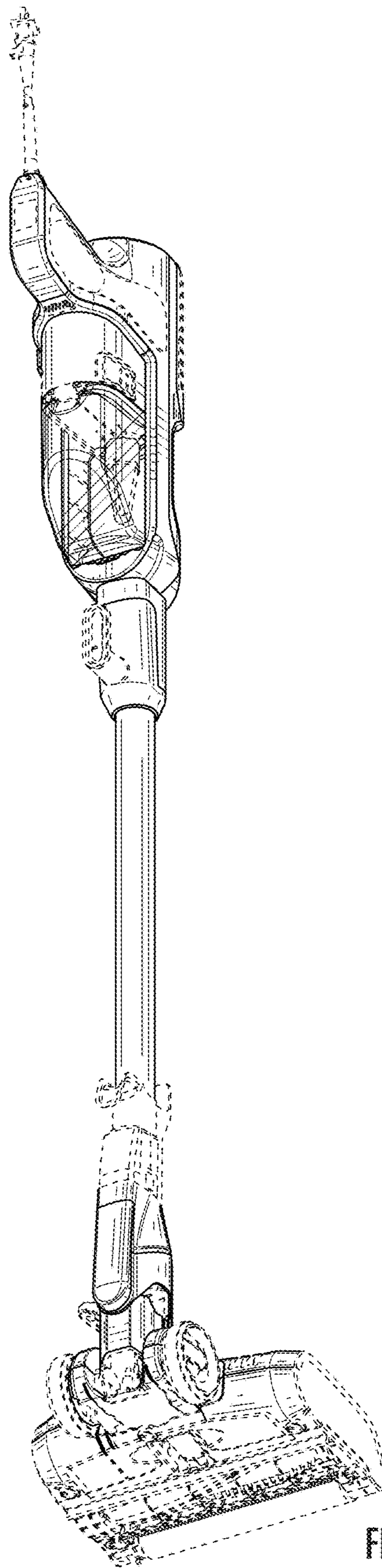


FIG. 8

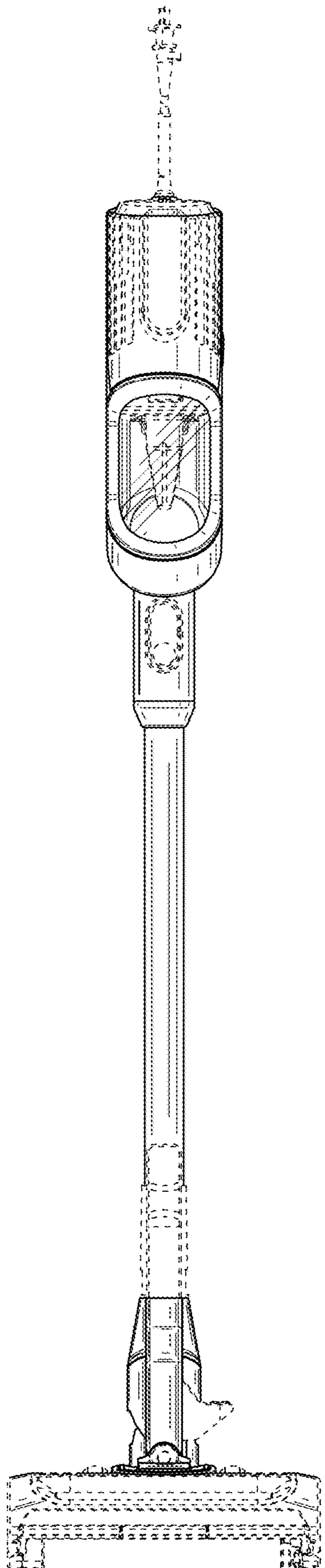


FIG. 9

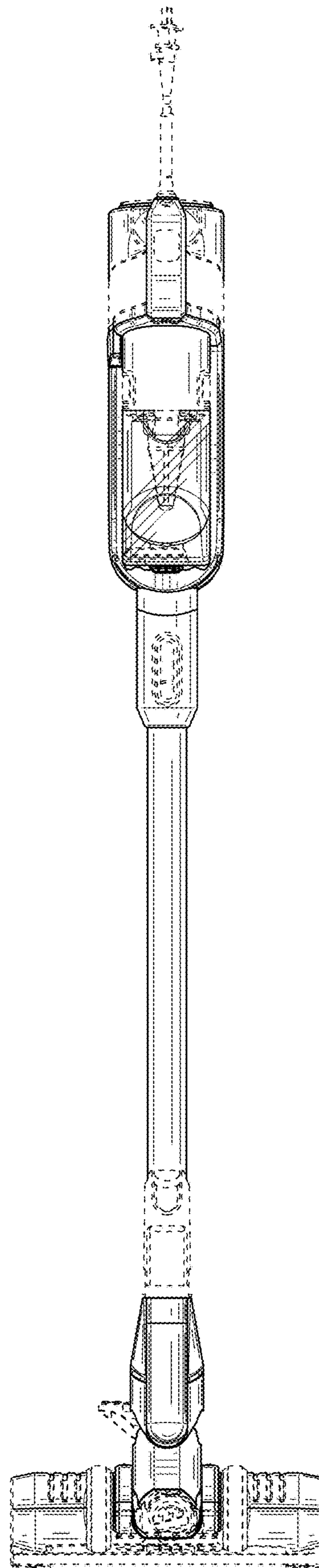
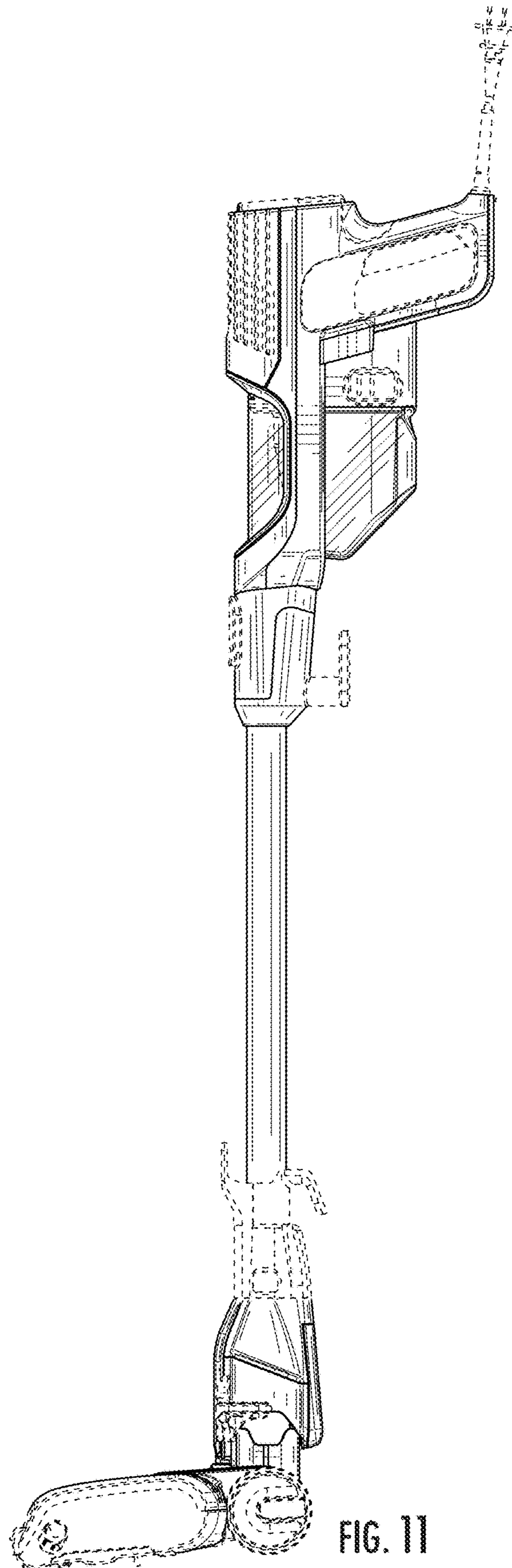


FIG. 10



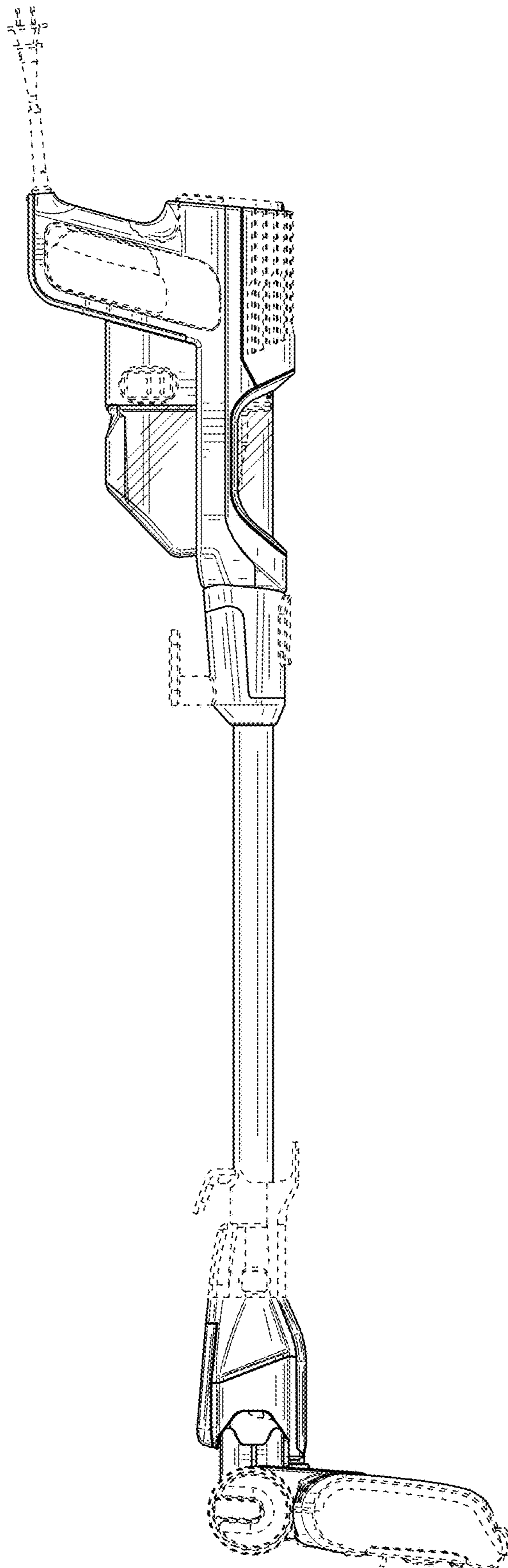


FIG. 12

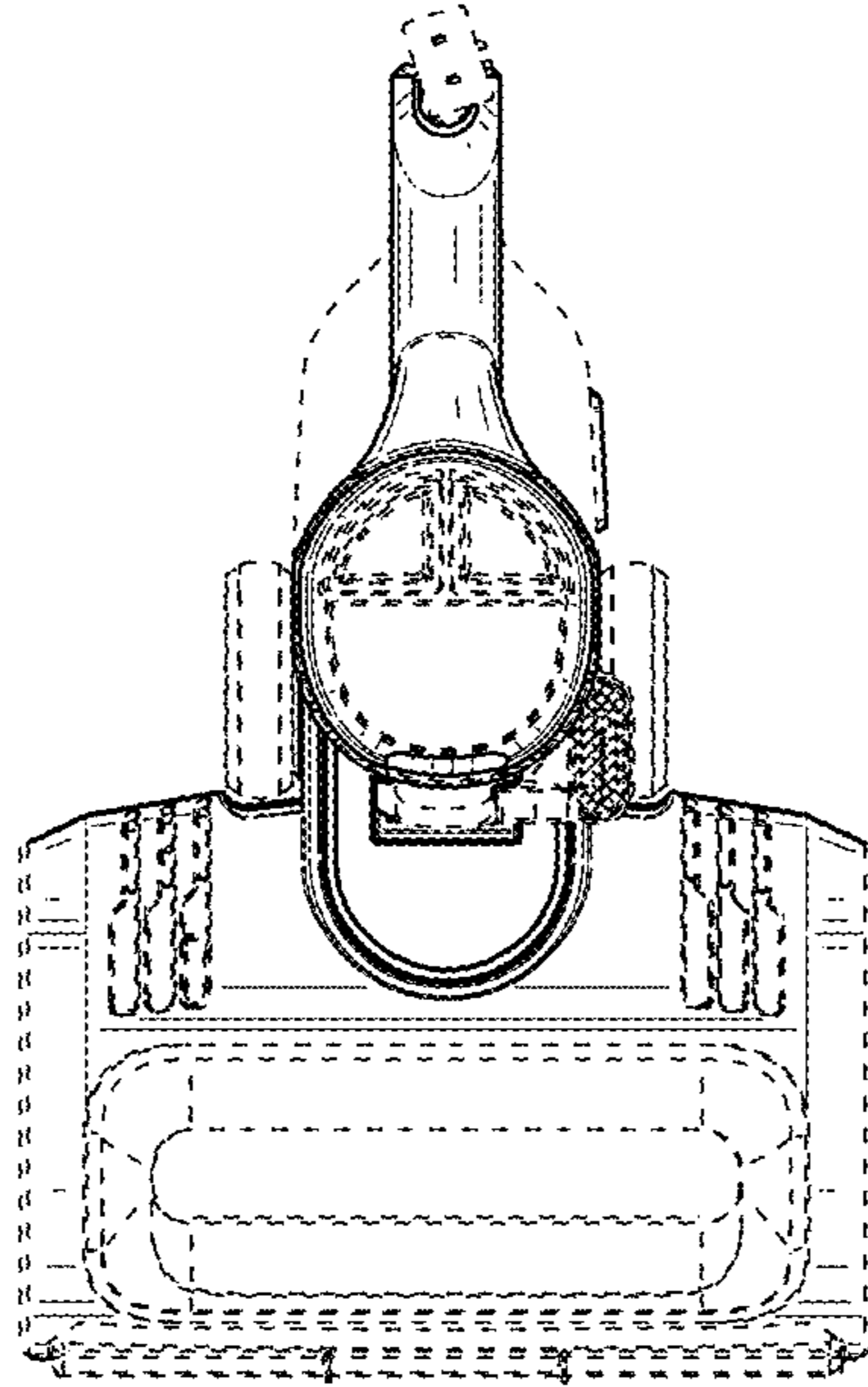


FIG. 13

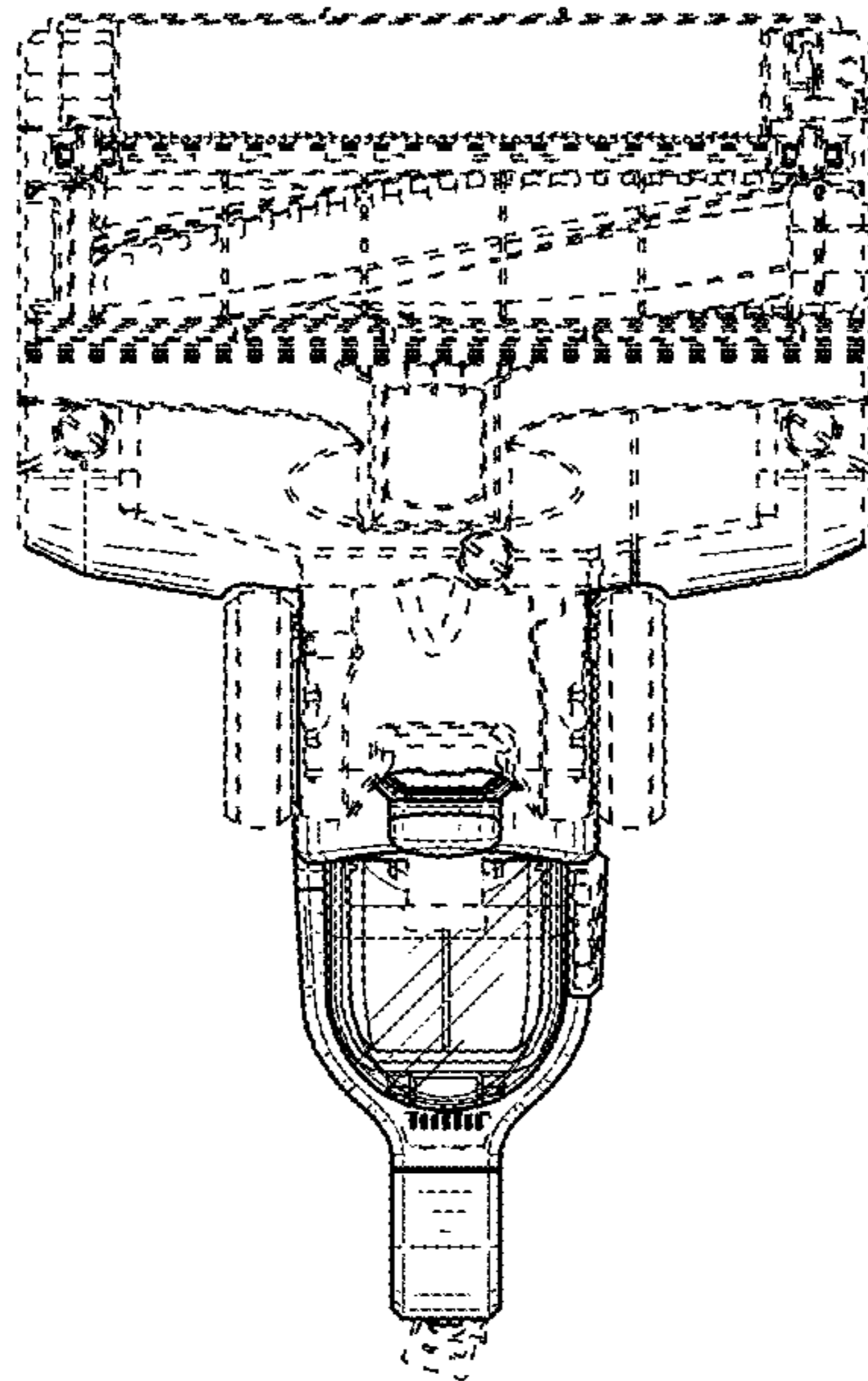


FIG. 14