



US00D942719S

(12) **United States Design Patent**
Seipp et al.

(10) **Patent No.:** **US D942,719 S**

(45) **Date of Patent:** **** Feb. 1, 2022**

(54) **DUST EXTRACTOR**

8,753,047 B2 * 6/2014 Hahn B23Q 11/0046
408/67

(71) Applicant: **Black & Decker Inc.**, New Britain, CT
(US)

D842,560 S * 3/2019 Tschopp D32/21
D876,734 S * 2/2020 Chen D32/21

(Continued)

(72) Inventors: **Jochen Seipp**, Staufenberg (DE);
Stefan D. Gensmann, Frucht (DE);
Fabian Riedl, Frankfurt (DE); **Stefan**
Sell, Mainz (DE)

FOREIGN PATENT DOCUMENTS

CN 304981029 * 1/2019
GB 3011994 * 4/2003

(73) Assignee: **Black & Decker Inc.**, New Britain, CT
(US)

OTHER PUBLICATIONS

(**) Term: **15 Years**

Dust Extractor, available in homedepot.com,customer review oldest date Oct. 24, 2020[online],[visited Nov. 16, 2020],Available from URL: [https://www.homedepot.com/p/DEWALT-20-Volt-MAX-Brushless-Universal-Dust-Extractor-Tool-Only-DWH161B/314366156?MERCH=REC-_pip_alternatives_-301900128_-314366156_-N&\(Year: 2020\).*](https://www.homedepot.com/p/DEWALT-20-Volt-MAX-Brushless-Universal-Dust-Extractor-Tool-Only-DWH161B/314366156?MERCH=REC-_pip_alternatives_-301900128_-314366156_-N&(Year: 2020).*)

(Continued)

(21) Appl. No.: **29/684,863**

(22) Filed: **Mar. 25, 2019**

(51) **LOC (13) Cl.** **15-05**

(52) **U.S. Cl.**
USPC **D32/21**

(58) **Field of Classification Search**
USPC D32/17, 18, 21, 23, 24, 31; D3/276, 294;
D8/70

CPC A47L 5/24; A47L 5/28; A47L 5/30; A47L
5/34; A47L 9/04; A47L 9/1683; A47L
11/30; A47L 11/302; A47L 11/34; A47L
11/4005; A47L 11/4008; A47L 11/4016;
A47L 11/4041; A47L 11/4044; A47L
11/4011; A47L 11/4038; B04C 5/185;
B25J 9/0003; B25J 9/1694; B23Q
11/0046; B23Q 11/0071; E04H 4/1636

See application file for complete search history.

Primary Examiner — Dana K Weiland

Assistant Examiner — Jennylou M Binas

(74) *Attorney, Agent, or Firm* — Amir R. Rohani

(57) **CLAIM**

The ornamental design for a dust extractor, as shown and described.

DESCRIPTION

FIG. 1 is a front view of a dust extractor showing the new design;

FIG. 2 is a rear view thereof;

FIG. 3 is a top view thereof;

FIG. 4 is a bottom view thereof;

FIG. 5 is a left side view thereof;

FIG. 6 is a right side view thereof;

FIG. 7 is a front perspective view thereof; and,

FIG. 8 is a rear perspective view thereof.

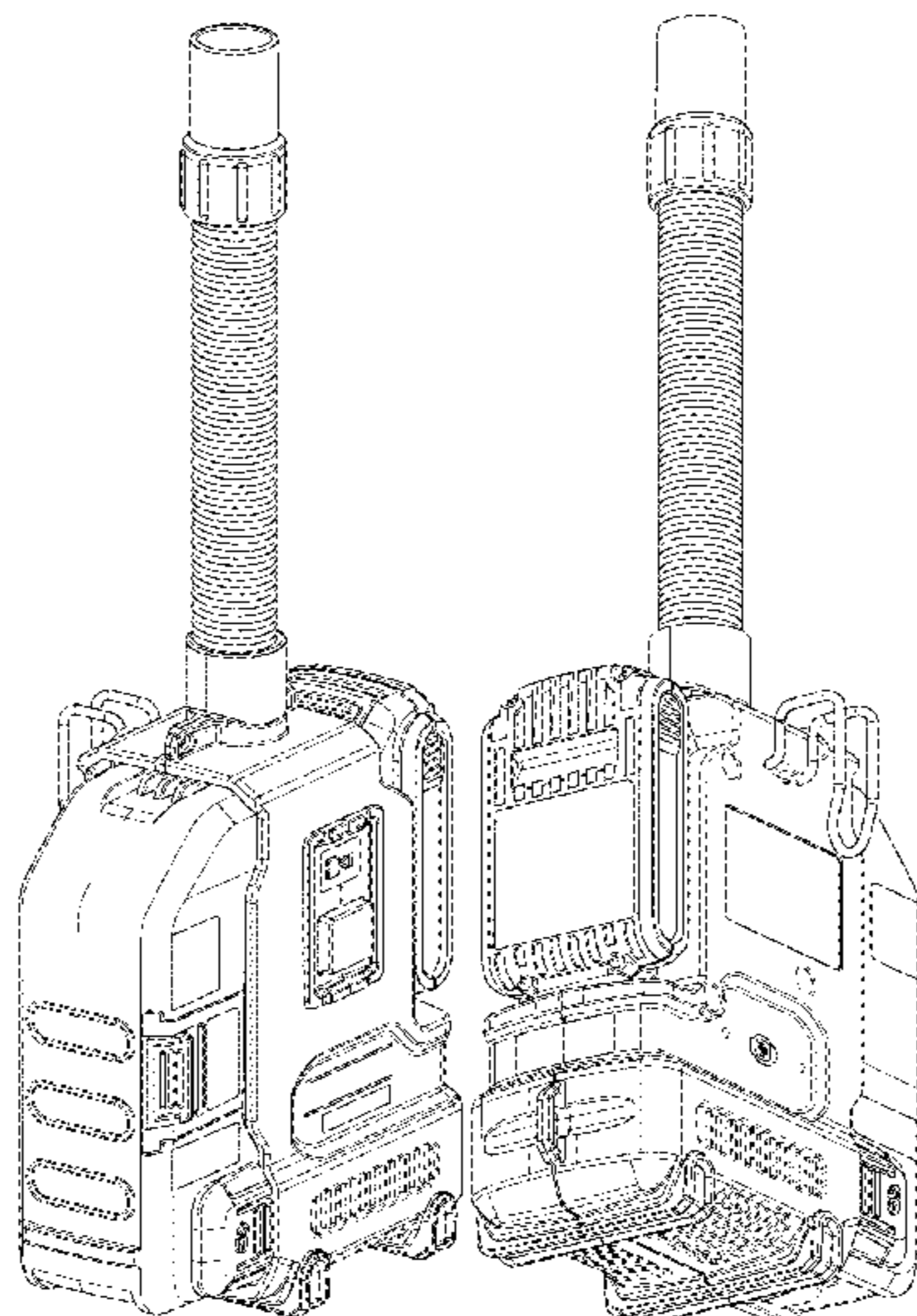
The broken lines shown in the drawings depict portions of the dust extractor that form no part of the claimed design.

(56) **References Cited**

U.S. PATENT DOCUMENTS

D541,495 S * 4/2007 DiPasquale D32/18
D558,410 S * 12/2007 Hill D32/21
D581,609 S * 11/2008 Conrad D32/18
D636,547 S * 4/2011 Moore, Jr. D32/24
D664,354 S * 7/2012 Crevling, Jr. D3/274
D687,195 S * 7/2013 Sell D32/21

1 Claim, 8 Drawing Sheets



(56)

References Cited

U.S. PATENT DOCUMENTS

2018/0220861 A1* 8/2018 Zhang A47L 7/0023
2019/0380549 A1* 12/2019 Liu B01D 46/2411
2020/0069130 A1* 3/2020 Mantes A47L 9/20
2020/0093341 A1* 3/2020 Bian A47L 9/00

OTHER PUBLICATIONS

Multi-Surface Dust Extractor, available in homedepot.com, customer review oldest date Jul. 14, 2020 [online], [site visited Nov. 16, 2020], Available from the internet URL: <https://www.homedepot.com/p/DEWALT-Multi-Surface-Dust-Extractor-DWH304DH/301900128?MERCH=REC--pipsem--314366642--301900128--N> (Year: 2020).*

* cited by examiner

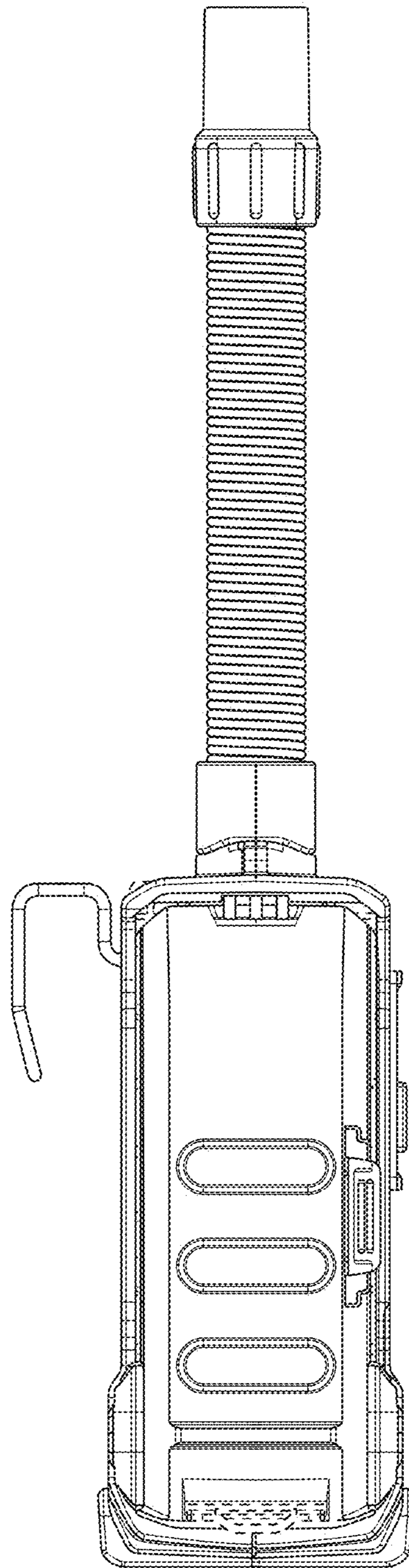


FIG. 1

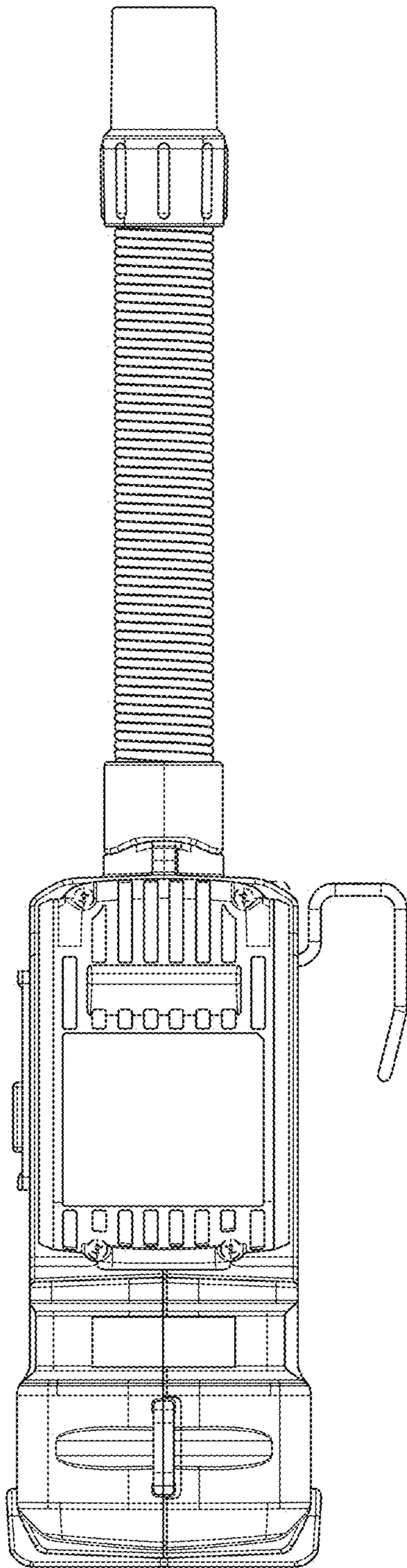


FIG. 2

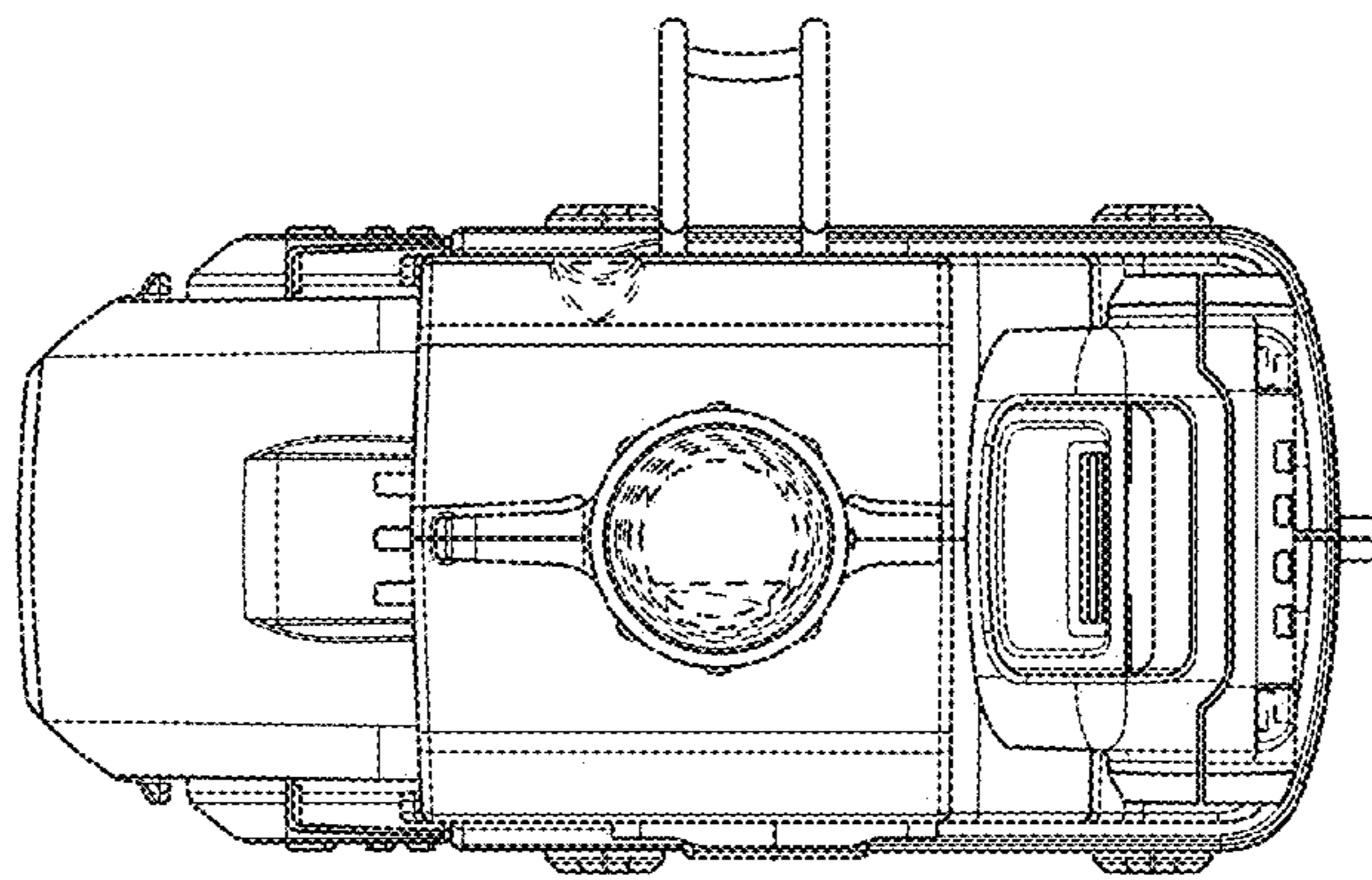


FIG. 3

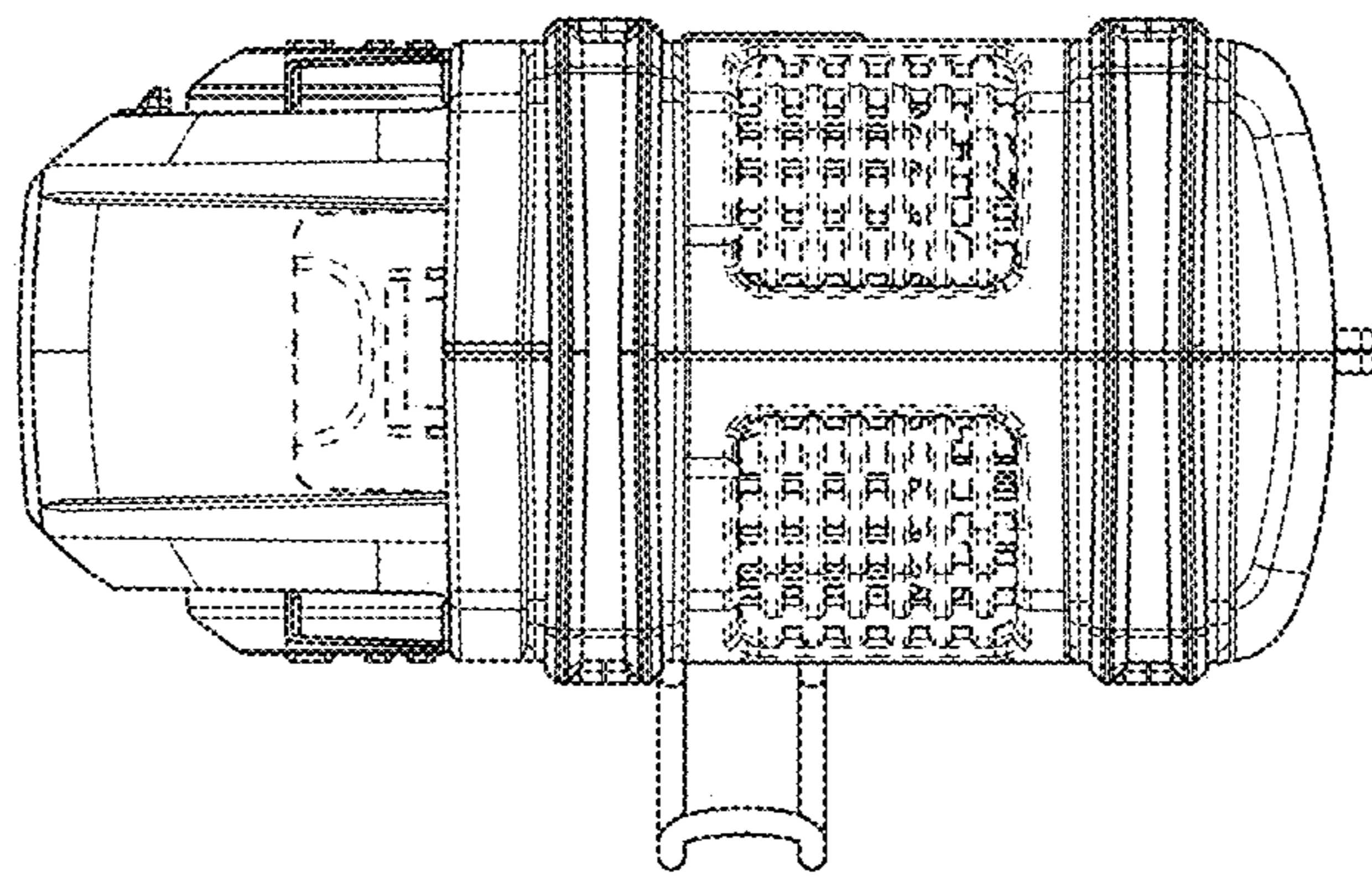


FIG. 4

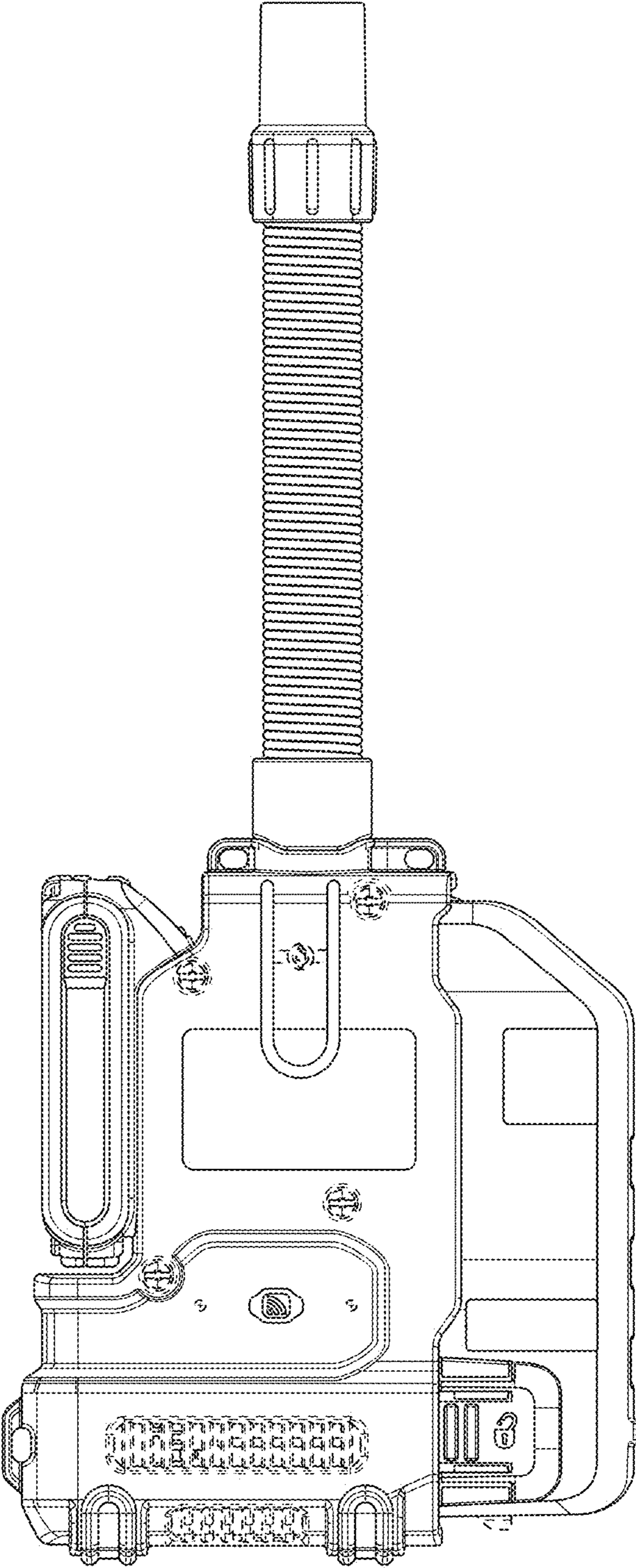


FIG. 5

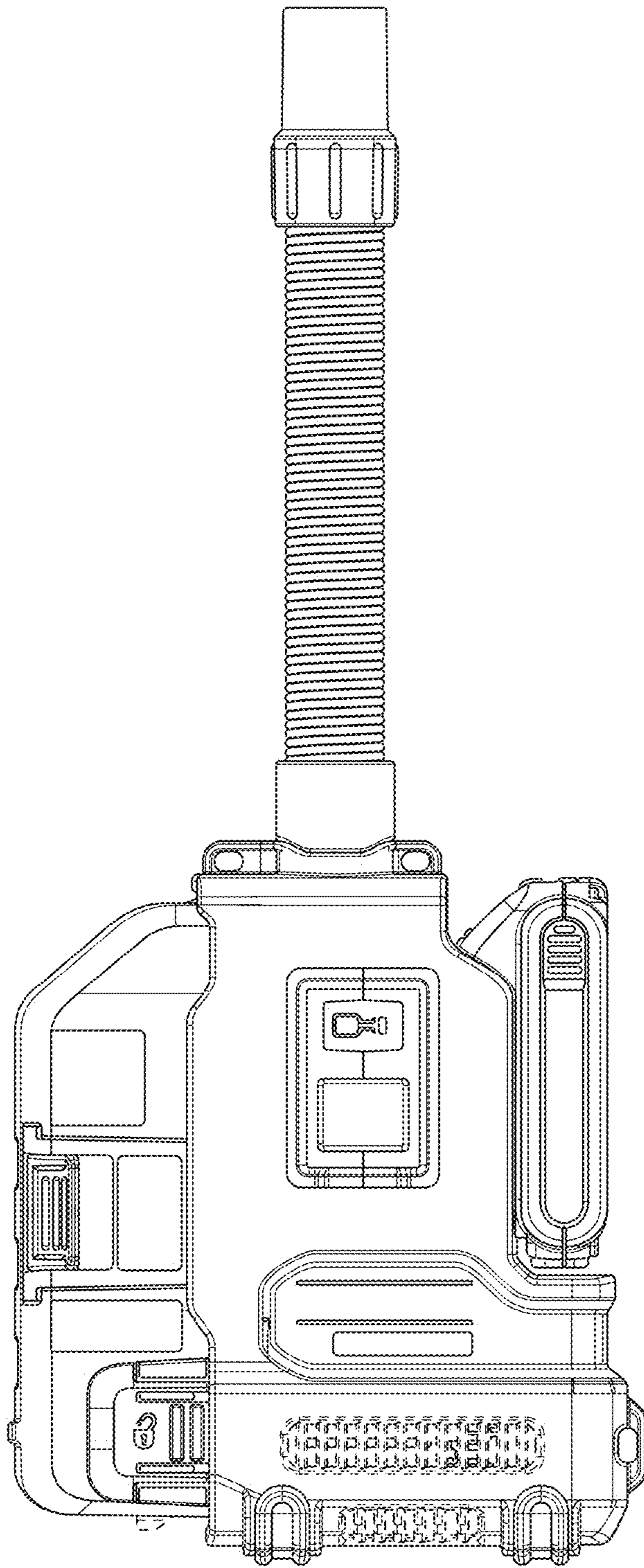


FIG. 6

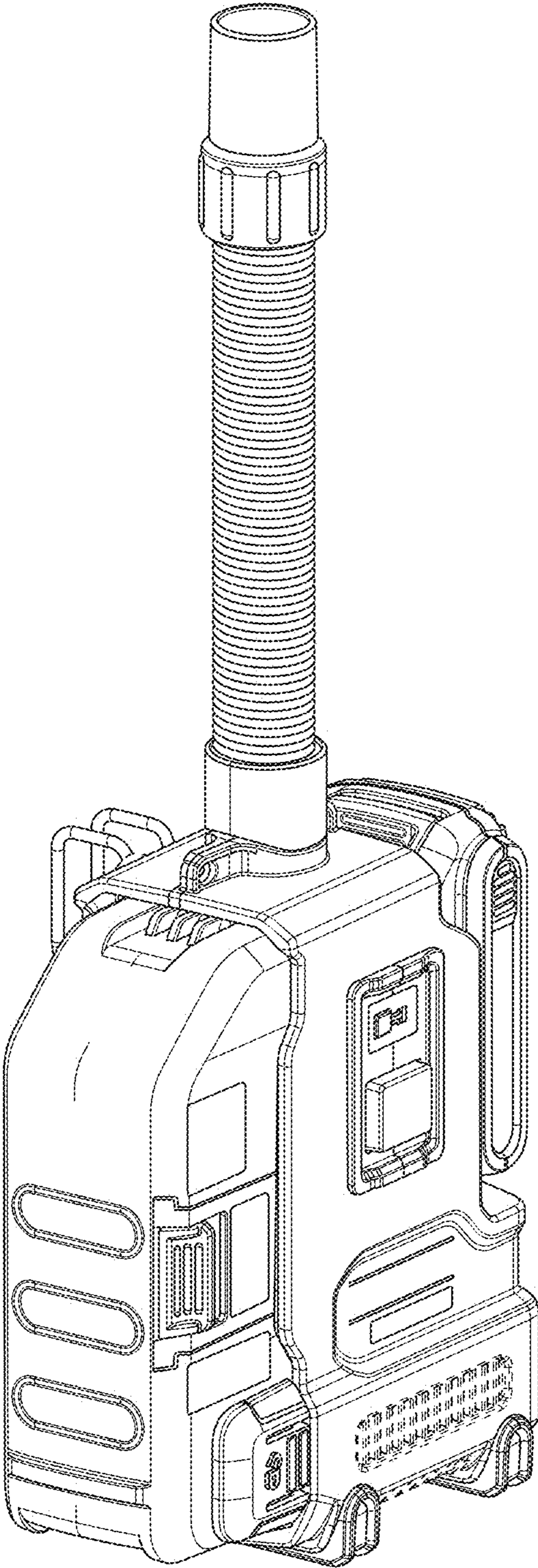


FIG. 7

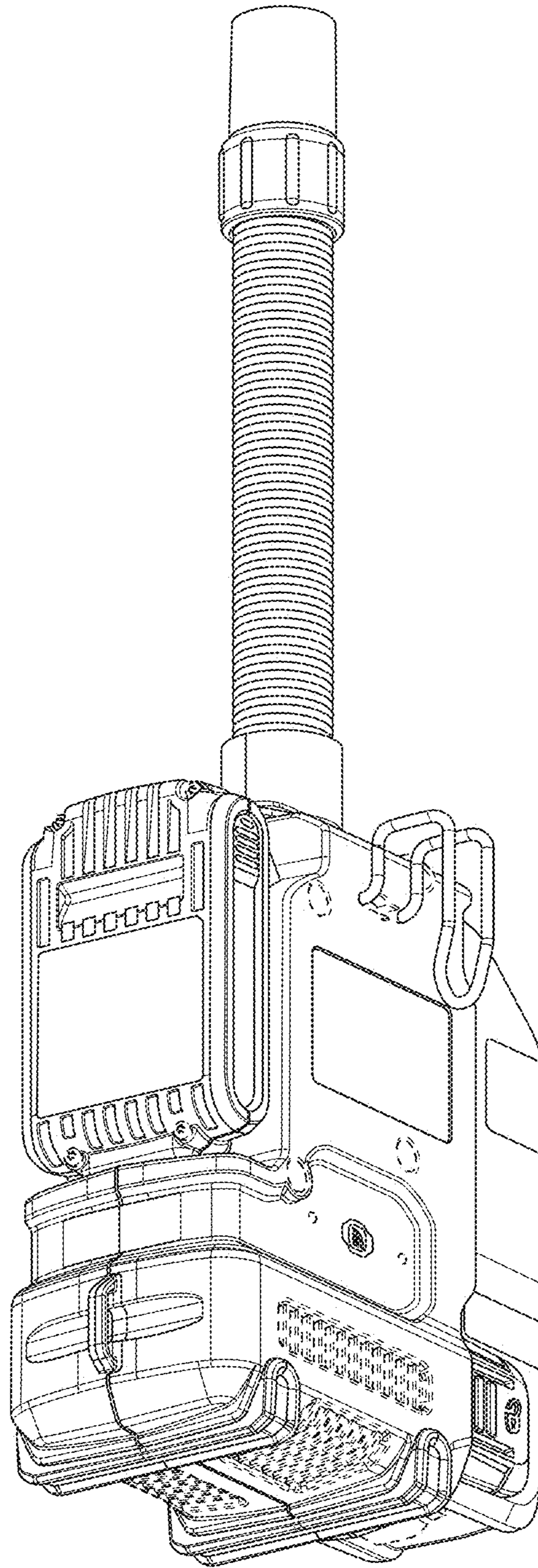


FIG. 8