



US00D942717S

(12) **United States Design Patent** (10) **Patent No.:** **US D942,717 S**
Buckley et al. (45) **Date of Patent:** **** Feb. 1, 2022**

(54) **PLUNGER**

FOREIGN PATENT DOCUMENTS

(71) Applicant: **Unger Marketing International, LLC**,
Bridgeport, CT (US)

EP 0233961 A1 9/1987

(72) Inventors: **James M. Buckley**, New Harford, CT
(US); **Brandon Temple**, Stamford, CT
(US); **Stephen P. Huda**, Shelton, CT
(US); **Joseph K. Patterson**, Monroe,
CT (US)

OTHER PUBLICATIONS

EZ plunge <https://www.homedepot.com/p/HDX-E-Z-Bellows-Plunger-HDX00320/302136268> (Year: 2018).*

(Continued)

(73) Assignee: **UNGER MARKETING
INTERNATIONAL, LLC**, Bridgeport,
CT (US)

Primary Examiner — Michelle E. Wilson
Assistant Examiner — Richard E Yenchesky
(74) *Attorney, Agent, or Firm* — Cantor Colburn LLP

(**) Term: **15 Years**

(57) **CLAIM**

(21) Appl. No.: **29/738,261**

The ornamental design for a plunger, as shown and described.

(22) Filed: **Jun. 16, 2020**

(51) **LOC (13) Cl.** **15-05**

(52) **U.S. Cl.**
USPC **D32/14**

(58) **Field of Classification Search**
USPC D6/551; D21/398; D32/14, 35, 40
CPC E03C 1/308; E03C 1/304; E03D 9/00
See application file for complete search history.

DESCRIPTION

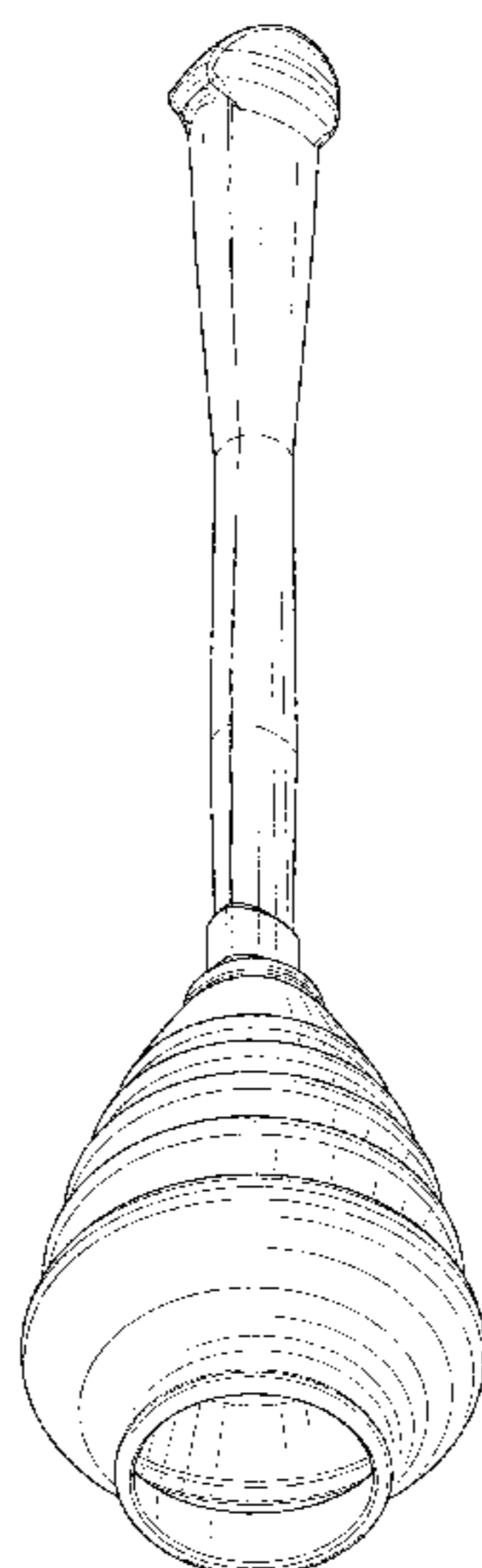
(56) **References Cited**

U.S. PATENT DOCUMENTS

2,844,826 A * 7/1958 Cheiten E03C 1/308
4/255.11
D292,631 S 11/1987 Tash
4,745,641 A * 5/1988 Tash E03C 1/308
4/255.11
D381,146 S * 7/1997 Tash D32/35
D381,147 S * 7/1997 Tash D32/35
D385,073 S * 10/1997 Tash D32/35
6,145,135 A 11/2000 Pool et al.
6,192,525 B1 * 2/2001 Tash E03C 1/308
4/255.11
D456,574 S 4/2002 Chen
(Continued)

FIG. 1 is top-down perspective view of a plunger, showing our new design;
FIG. 2 is a bottom-up perspective view of the embodiment shown in FIG. 1;
FIG. 3 is a front elevation view of the embodiment shown in FIG. 1, with the back elevation view being identical;
FIG. 4 is a side elevation view of the embodiment shown in FIG. 1, with the opposing side elevation view being identical;
FIG. 5 is top-down plan view of the embodiment shown in FIG. 1;
FIG. 6 is a bottom-up plan view of the embodiment shown in FIG. 1; and,
FIG. 7 is a bottom-up perspective view illustrating a view of the interior of the embodiment shown in FIG. 1.
The broken lines in FIGS. 1-4 represent the bounds of the claimed design and form no part thereof.

1 Claim, 5 Drawing Sheets



(56)

References Cited

U.S. PATENT DOCUMENTS

6,434,760 B1 * 8/2002 Montalvo E03C 1/308
 4/255.05
 D508,151 S * 8/2005 Hay D32/14
 D647,671 S * 10/2011 Stein D32/14
 8,245,329 B2 * 8/2012 Stein E03C 1/308
 4/255.11
 8,307,468 B2 * 11/2012 Stein E03C 1/308
 4/255.11
 D688,840 S 8/2013 Wu
 D722,210 S * 2/2015 Gwen D32/14
 D738,434 S * 9/2015 Baumann D21/398
 D796,127 S 8/2017 Guthrie
 D809,720 S * 2/2018 Salas D32/14
 D811,025 S * 2/2018 Fordyce D32/14
 D836,869 S * 12/2018 Wu D32/35
 D851,340 S * 6/2019 Metzel D32/14
 10,329,757 B1 * 6/2019 Waite E03D 9/00
 D853,060 S * 7/2019 Tschopp D32/14

D857,311 S * 8/2019 Cavalcanti D32/14
 D861,263 S * 9/2019 de Martrin-Donos D32/14
 D897,725 S * 10/2020 Stelmarski D6/551
 2001/0037522 A1 * 11/2001 Pool E03C 1/308
 4/255.11
 2014/0075661 A1 * 3/2014 Zeng E03D 9/00
 4/255.11
 2014/0182052 A1 * 7/2014 Cohen E03C 1/308
 4/255.11
 2019/0329302 A1 * 10/2019 Wu E03C 1/304

OTHER PUBLICATIONS

Power Deluxe https://www.amazon.com/LDR-Industries-512-3410-PLUNGER/dp/B002ZRWWDE/ref=asc_df_B002ZRWWDE/
 (Year: 2012).*
 Cobra Tools Plunge-N-Store <https://www.sears.com/cobra-products-00207-high-efficiency-toilet-plunger-tools/p-SPM14518139710> (Year: 2021).*

* cited by examiner

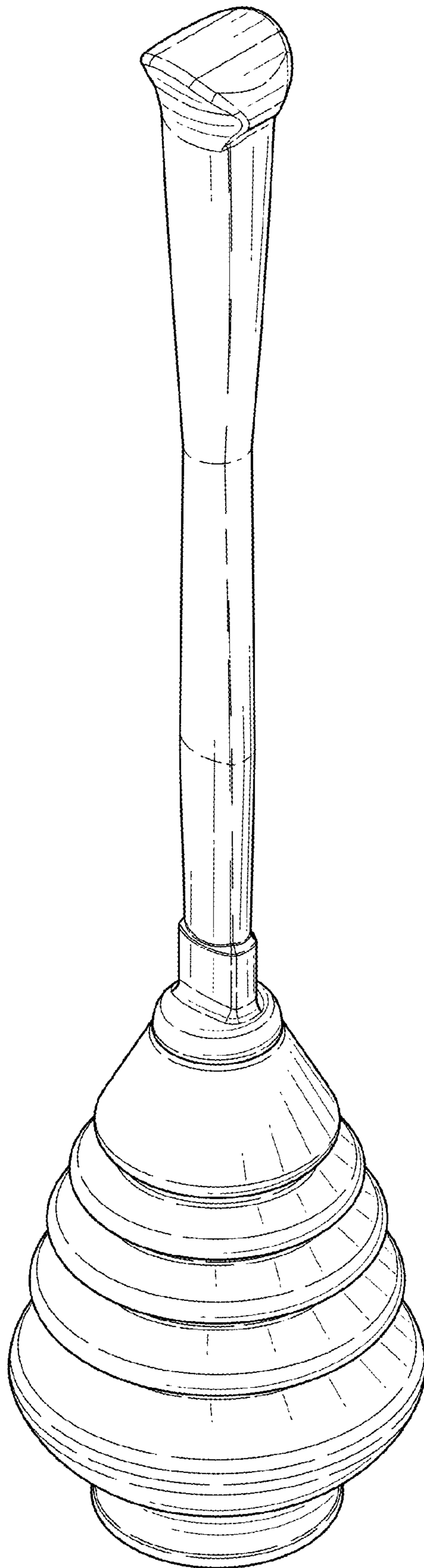


FIG. 1

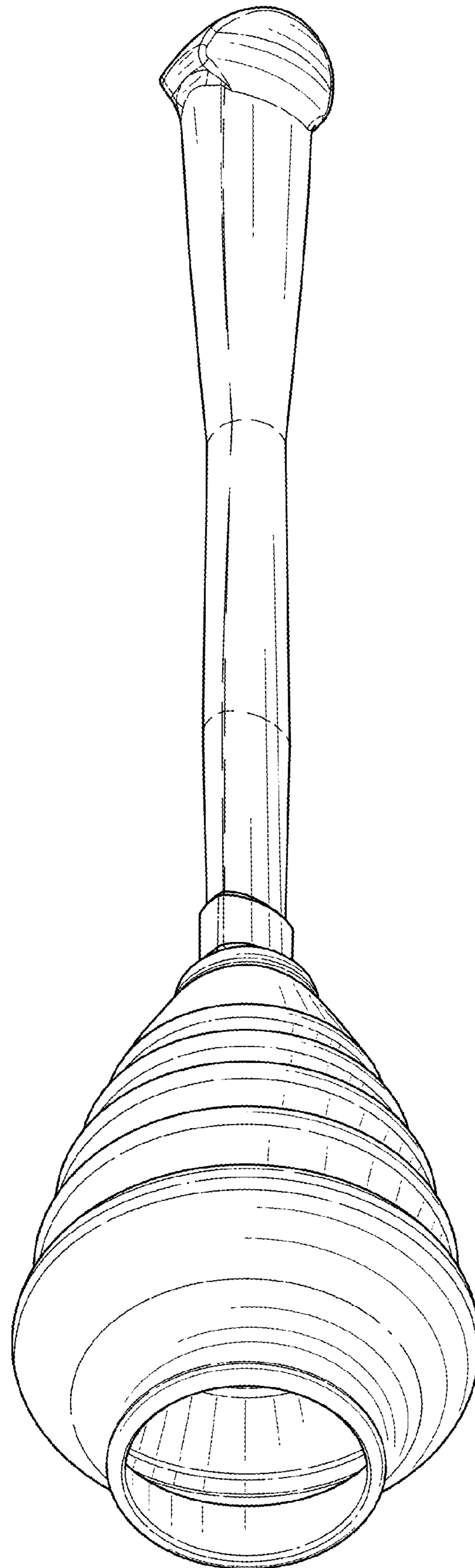


FIG. 2

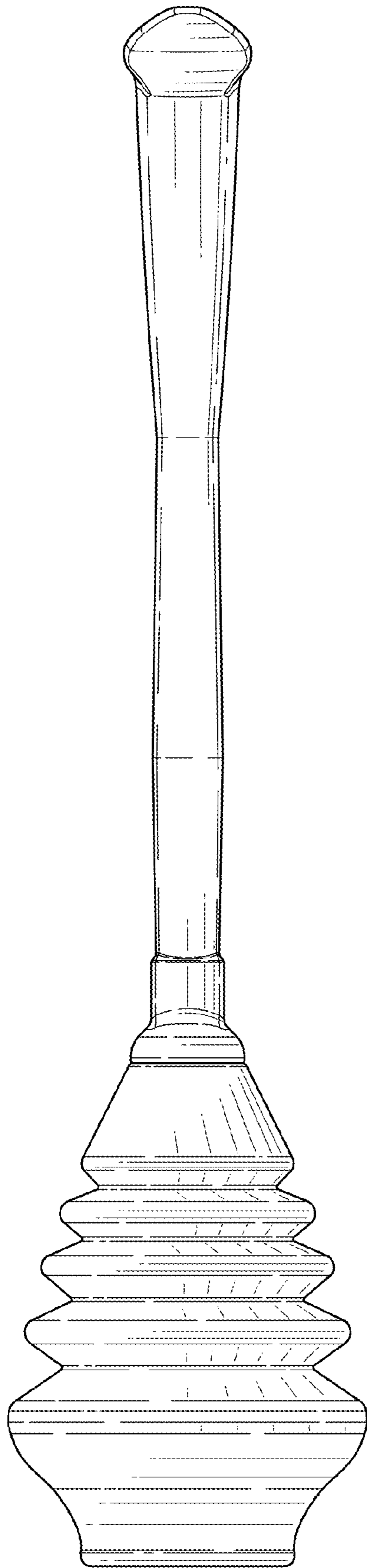


FIG. 3

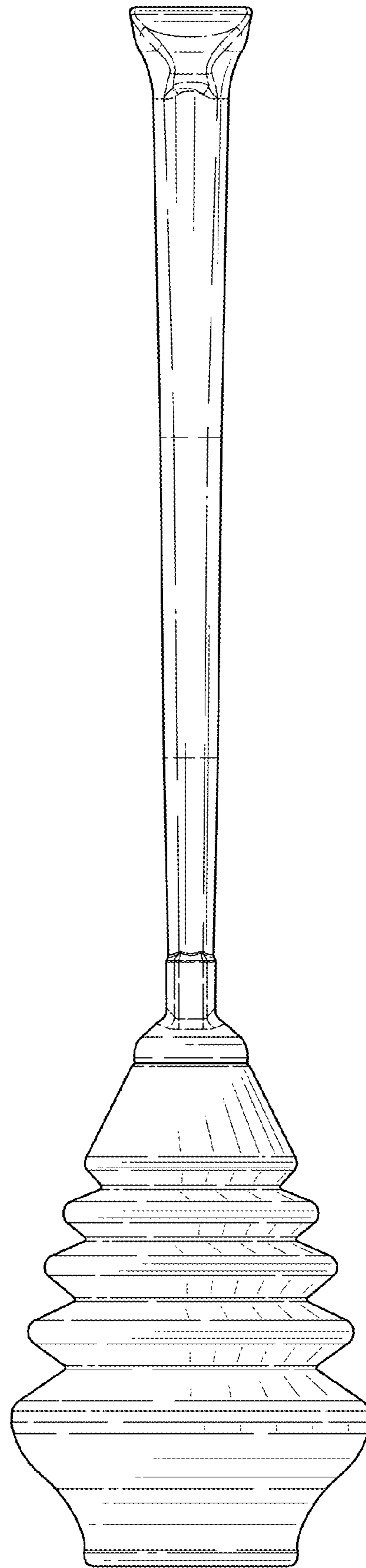


FIG. 4

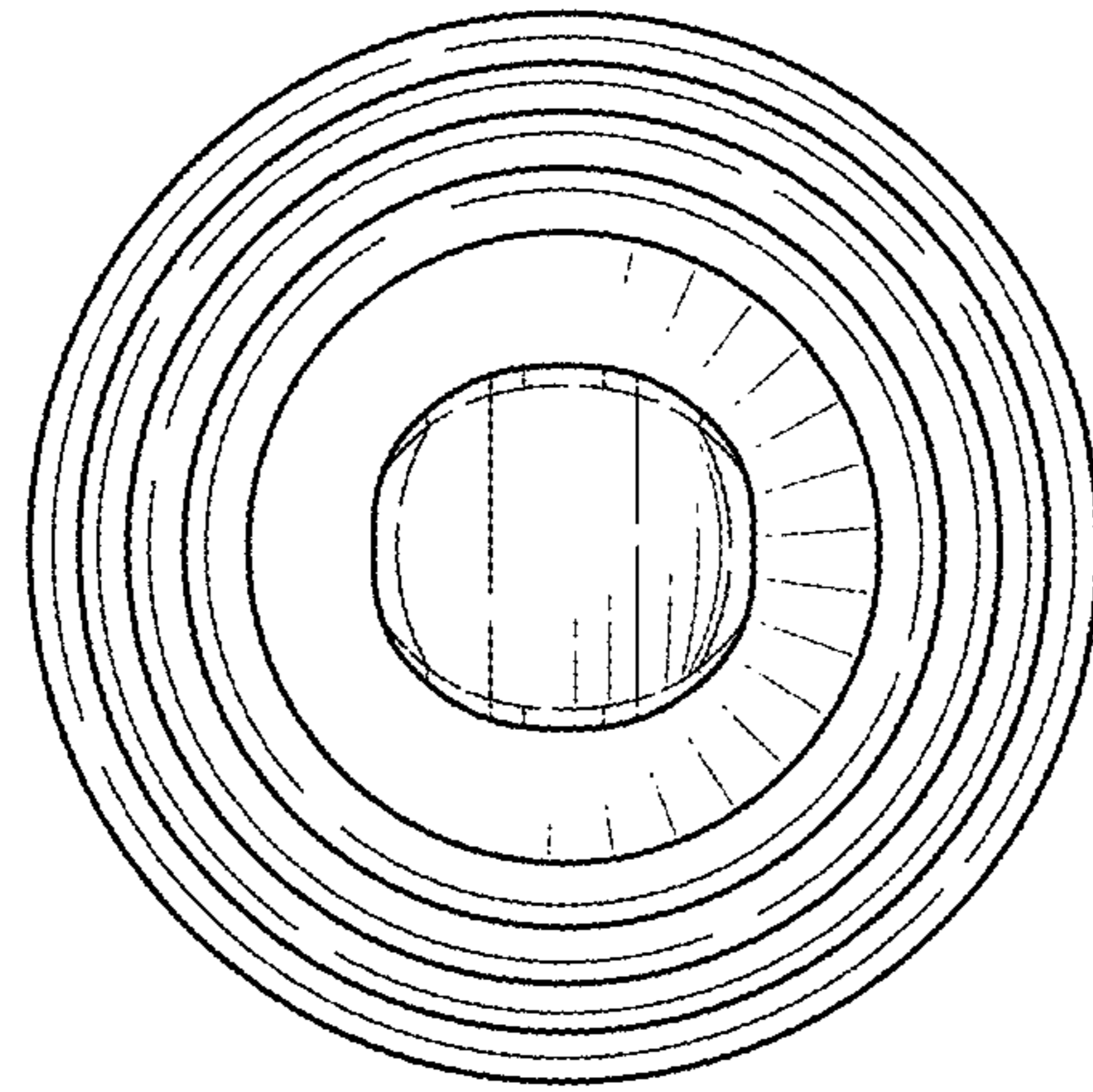


FIG. 5

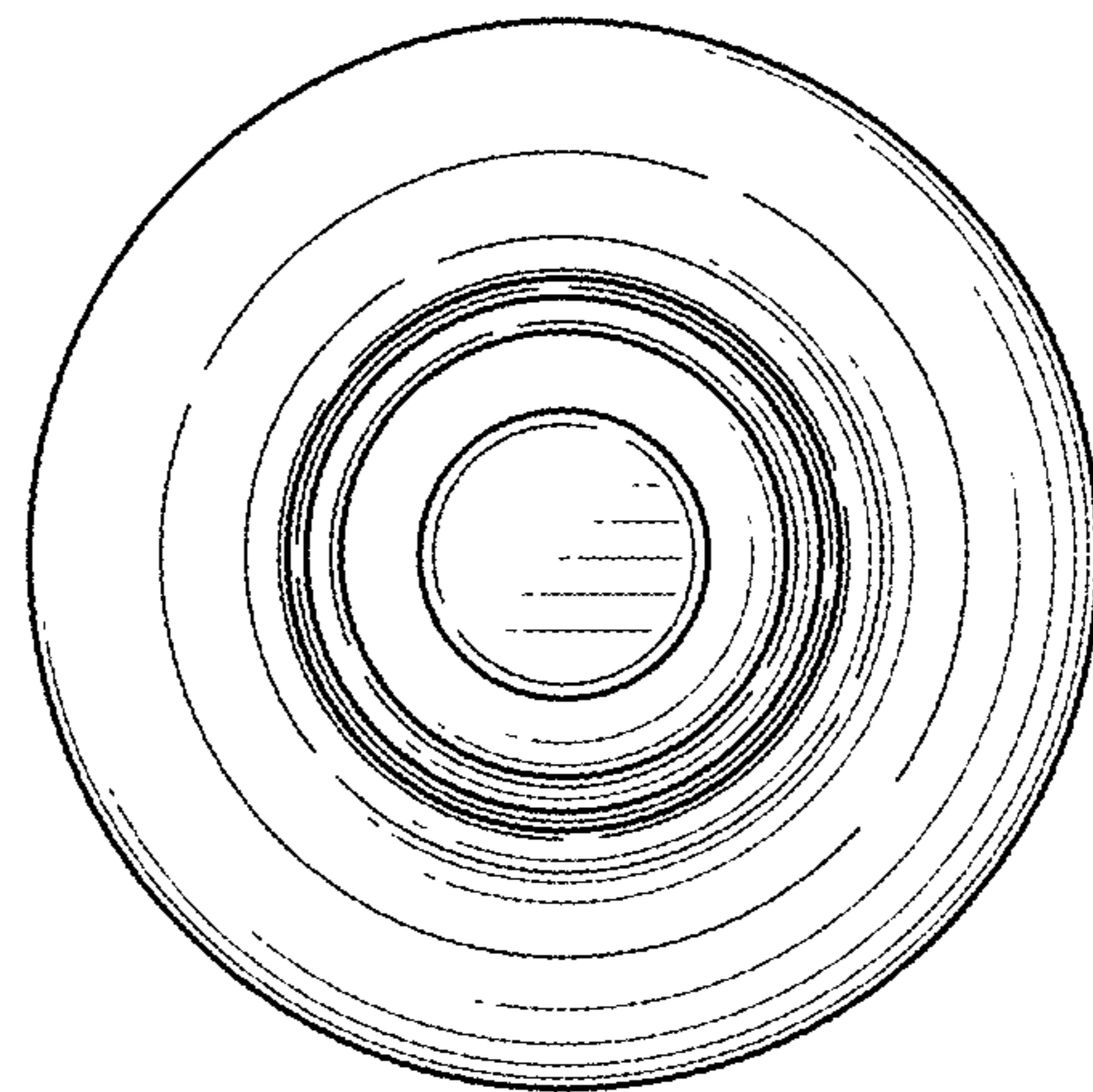


FIG. 6

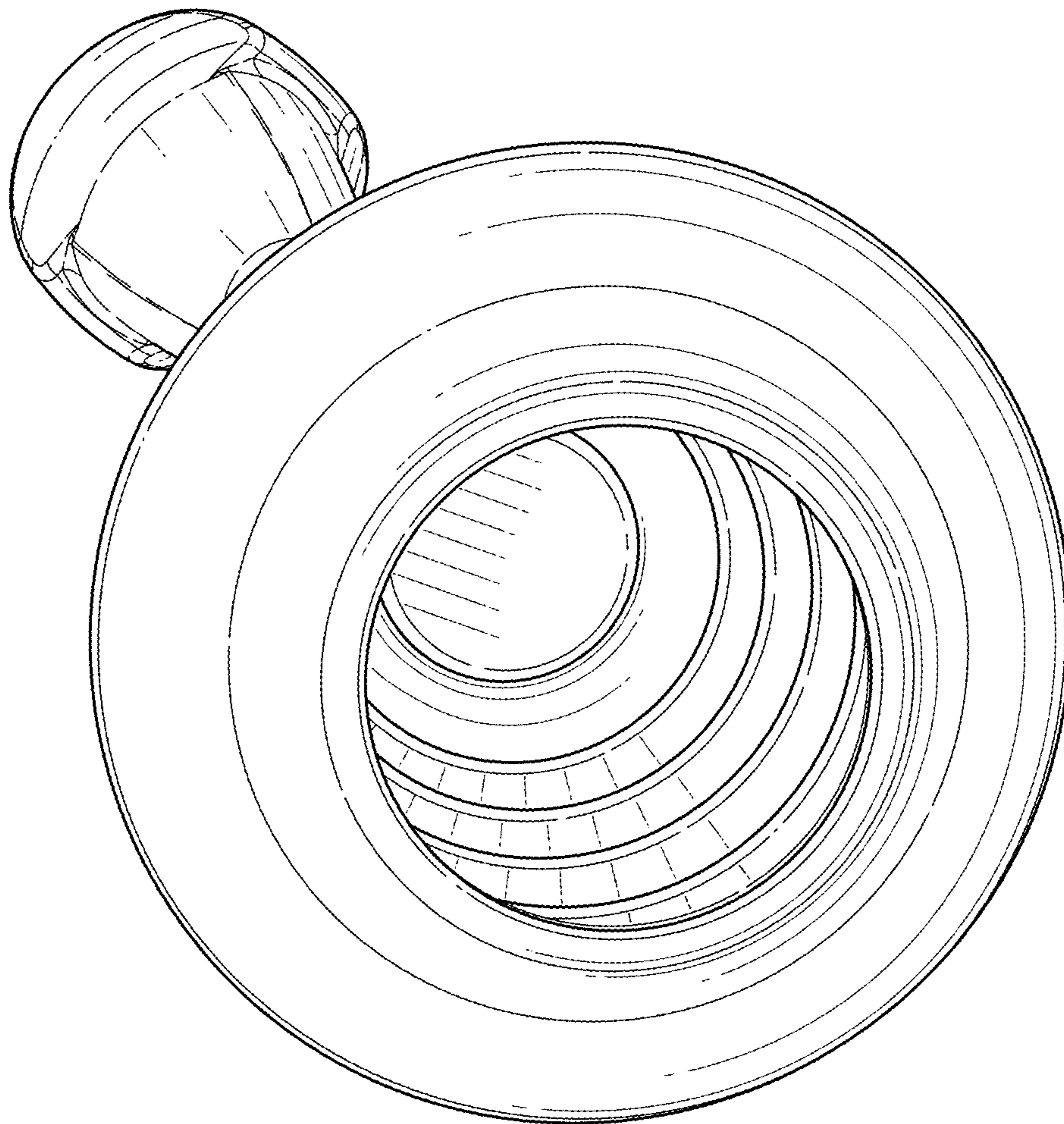


FIG. 7