



US00D942716S

(12) **United States Design Patent** (10) **Patent No.:** **US D942,716 S**  
**Bixby et al.** (45) **Date of Patent:** **\*\* Feb. 1, 2022**

(54) **TOPLOAD WASHING APPLIANCE**

- (71) Applicant: **WHIRLPOOL CORPORATION**,  
Benton Harbor, MI (US)
- (72) Inventors: **Seth E. Bixby**, Stevensville, MI (US);  
**Richard K. Gresens**, St. Joseph, MI  
(US); **John W. McConnell**, St. Joseph,  
MI (US); **Patrick J. Schiavone**, Benton  
Harbor, MI (US); **Samuel B.**  
**Breneman**, St. Joseph, MI (US)
- (73) Assignee: **Whirlpool Corporation**, Benton  
Harbor, MI (US)
- (\*\*) Term: **15 Years**

(21) Appl. No.: **29/716,491**

(22) Filed: **Dec. 10, 2019**

**Related U.S. Application Data**

(60) Continuation of application No. 29/613,288, filed on  
Aug. 9, 2017, now Pat. No. Des. 873,515, which is a  
division of application No. 29/499,792, filed on Aug.  
19, 2014, now Pat. No. Des. 797,387.

(51) **LOC (13) Cl.** ..... **15-05**

(52) **U.S. Cl.**  
USPC ..... **D32/6**

(58) **Field of Classification Search**  
USPC ..... D32/1, 6, 8, 25, 28  
CPC ..... D06F 17/12; D06F 33/48; D06F 37/30;  
D06F 37/40; D06F 35/00; H02P 21/05;  
H02K 1/278; H02K 16/02; G01M 99/005  
See application file for complete search history.

(56) **References Cited**

**U.S. PATENT DOCUMENTS**

4,307,588 A	12/1981	Smith et al.
4,429,817 A	2/1984	Ikeda
D359,602 S	6/1995	Swartz et al.
D360,500 S	7/1995	Millet et al.

(Continued)

**OTHER PUBLICATIONS**

Whirlpool Top-Loading Washing Machine <https://www.lowes.com/pd/Whirlpool-4-5-cu-ft-Top-Load-Agitorator-Washer-with-Built-in-Faucet-White/5005489193> (Year: 2021).\*

*Primary Examiner* — Michelle E. Wilson  
*Assistant Examiner* — Richard E Yenchesky  
(74) *Attorney, Agent, or Firm* — Price Heneveld LLP

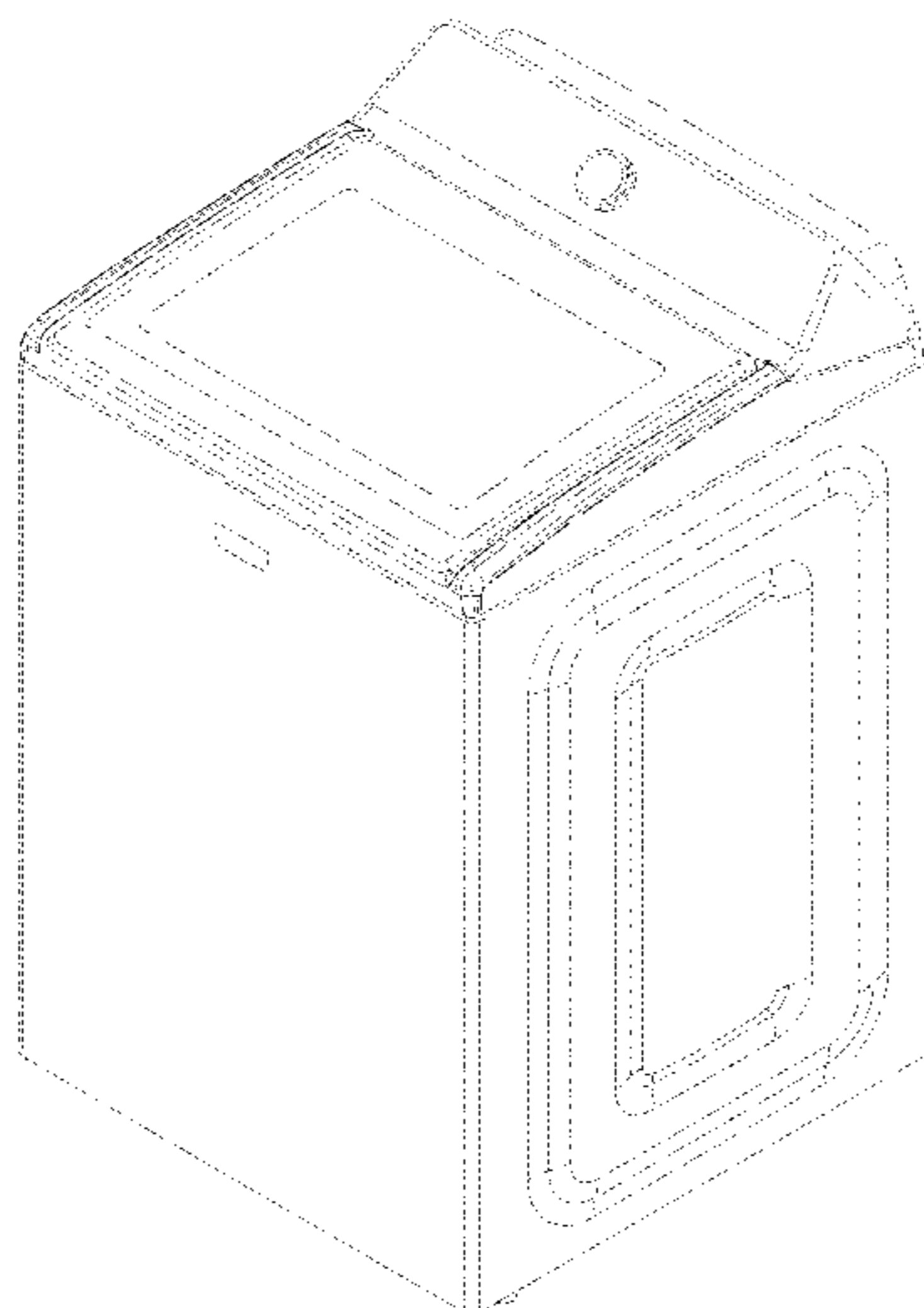
(57) **CLAIM**

We claim the ornamental design for a topload washing appliance, as shown.

**DESCRIPTION**

FIG. 1 is a first top perspective view of the topload washing appliance of the present invention;  
FIG. 2 is a second top perspective view of the topload washing appliance of the present invention;  
FIG. 3 is a top plan view of the topload washing appliance of the present invention;  
FIG. 4 is a bottom plan view of the topload washing appliance of the present invention;  
FIG. 5 is a first side elevation view of the topload washing appliance of the present invention;  
FIG. 6 is a second side elevation view of the topload washing appliance of the present invention;  
FIG. 7 is a third side elevation view of the topload washing appliance of the present invention;  
FIG. 8 is a fourth side elevation view of the topload washing appliance of the present invention; and,  
FIG. 9 is another first side elevation view of the topload washing appliance of the present invention with the door in an open position to view the underside of the topload washing appliance door.  
The broken lines in the figures are for contextual purposes or show the environment and form no part of the claimed design.

**1 Claim, 9 Drawing Sheets**



(56)

References Cited

U.S. PATENT DOCUMENTS

6,618,887 B2 9/2003 Kim et al.  
D489,152 S \* 4/2004 Sneddon ..... D32/28  
D492,073 S 6/2004 Sneddon  
D527,150 S 8/2006 Jun  
D527,853 S 9/2006 Carey et al.  
D532,941 S 11/2006 Carey et al.  
D538,488 S 3/2007 Carey et al.  
D542,487 S 5/2007 Jun  
D556,394 S 11/2007 Kim  
D568,563 S \* 5/2008 Stephens ..... D32/28  
D575,012 S 8/2008 Rossetto et al.  
D630,807 S 1/2011 Song et al.  
D632,033 S 2/2011 Song et al.  
D633,261 S 2/2011 Song et al.  
D648,084 S \* 11/2011 Browne ..... D32/28  
D648,085 S \* 11/2011 Miller ..... D32/28  
D648,497 S \* 11/2011 Bhattacharya ..... D32/28  
D654,640 S 2/2012 Song et al.  
D679,462 S 4/2013 Zhang et al.  
D694,965 S 12/2013 Lee et al.  
D695,474 S \* 12/2013 Calmeise ..... D32/28  
D699,907 S \* 2/2014 Choi ..... D32/28  
D701,656 S 3/2014 Choi et al.  
D729,998 S 5/2015 Jeon et al.  
D739,096 S 9/2015 Qin et al.  
D759,325 S 6/2016 Jeon et al.  
D760,454 S 6/2016 Joo et al.  
D760,967 S 7/2016 Joo et al.  
D761,502 S 7/2016 Joo et al.  
D761,503 S 7/2016 Choi et al.  
D762,021 S 7/2016 Qin et al.  
D762,025 S 7/2016 Joo et al.  
D764,120 S 8/2016 Choi et al.  
D764,121 S 8/2016 Choi et al.  
D764,123 S 8/2016 Kim et al.  
D772,505 S 11/2016 Bixby et al.  
D772,506 S 11/2016 Bixby et al.  
D774,713 S 12/2016 Bixby et al.  
D775,438 S 12/2016 Kang et al.  
D783,212 S 4/2017 Jeon et al.  
D793,012 S \* 7/2017 Bixby ..... D32/6  
D797,387 S 9/2017 Bixby et al.

D798,511 S 9/2017 Bixby et al.  
D818,219 S 5/2018 Bixby et al.  
D824,607 S 7/2018 Bixby et al.  
D824,608 S \* 7/2018 Bixby ..... D32/6  
D831,907 S \* 10/2018 Bixby ..... D32/8  
D833,091 S \* 11/2018 Ayers ..... D32/6  
D833,694 S \* 11/2018 Kang ..... D32/6  
D837,349 S 1/2019 Chung et al.  
D839,513 S \* 1/2019 Ayers ..... D32/25  
D846,208 S \* 4/2019 Grasselli ..... D32/1  
D847,444 S \* 4/2019 Ayers ..... D32/6  
D855,265 S 7/2019 Chung et al.  
D858,010 S \* 8/2019 Xie ..... D32/6  
D858,013 S \* 8/2019 Kang ..... D32/6  
D858,015 S \* 8/2019 Bixby ..... D32/8  
D858,914 S \* 9/2019 Bixby ..... D32/6  
D858,916 S \* 9/2019 Bixby ..... D32/8  
D859,766 S \* 9/2019 Ayers ..... D32/25  
D867,692 S \* 11/2019 Ayers ..... D32/6  
D869,791 S \* 12/2019 Ko ..... D32/6  
D869,799 S \* 12/2019 Ayers ..... D32/25  
D873,515 S \* 1/2020 Bixby ..... D32/25  
D875,332 S \* 2/2020 Zhang ..... D32/6  
D876,732 S \* 2/2020 Shin ..... D32/6  
D877,993 S \* 3/2020 Shin ..... D32/6  
D884,997 S \* 5/2020 Kim ..... D32/6  
D887,095 S \* 6/2020 Choi ..... D32/6  
D887,654 S \* 6/2020 Choi ..... D32/6  
D887,655 S \* 6/2020 Choi ..... D32/6  
D888,356 S \* 6/2020 Shin ..... D32/6  
D894,507 S \* 8/2020 Kim ..... D32/25  
D916,401 S \* 4/2021 Bixby ..... D32/6  
2015/0176171 A1 \* 6/2015 Kim ..... D06F 17/12  
68/152  
2015/0211165 A1 \* 7/2015 Willey ..... D06F 35/00  
8/137  
2015/0284895 A1 \* 10/2015 Davis ..... G01M 99/005  
68/131  
2017/0292216 A1 \* 10/2017 Goshgarian ..... D06F 37/40  
2017/0302208 A1 \* 10/2017 Je ..... H02P 21/05  
2017/0327989 A1 \* 11/2017 Farrington ..... D06F 37/30  
2019/0032266 A1 \* 1/2019 Miyake ..... H02K 16/02  
2020/0040509 A1 \* 2/2020 Shinohara ..... D06F 33/48  
2020/0080246 A1 \* 3/2020 Miyake ..... H02K 1/278

\* cited by examiner

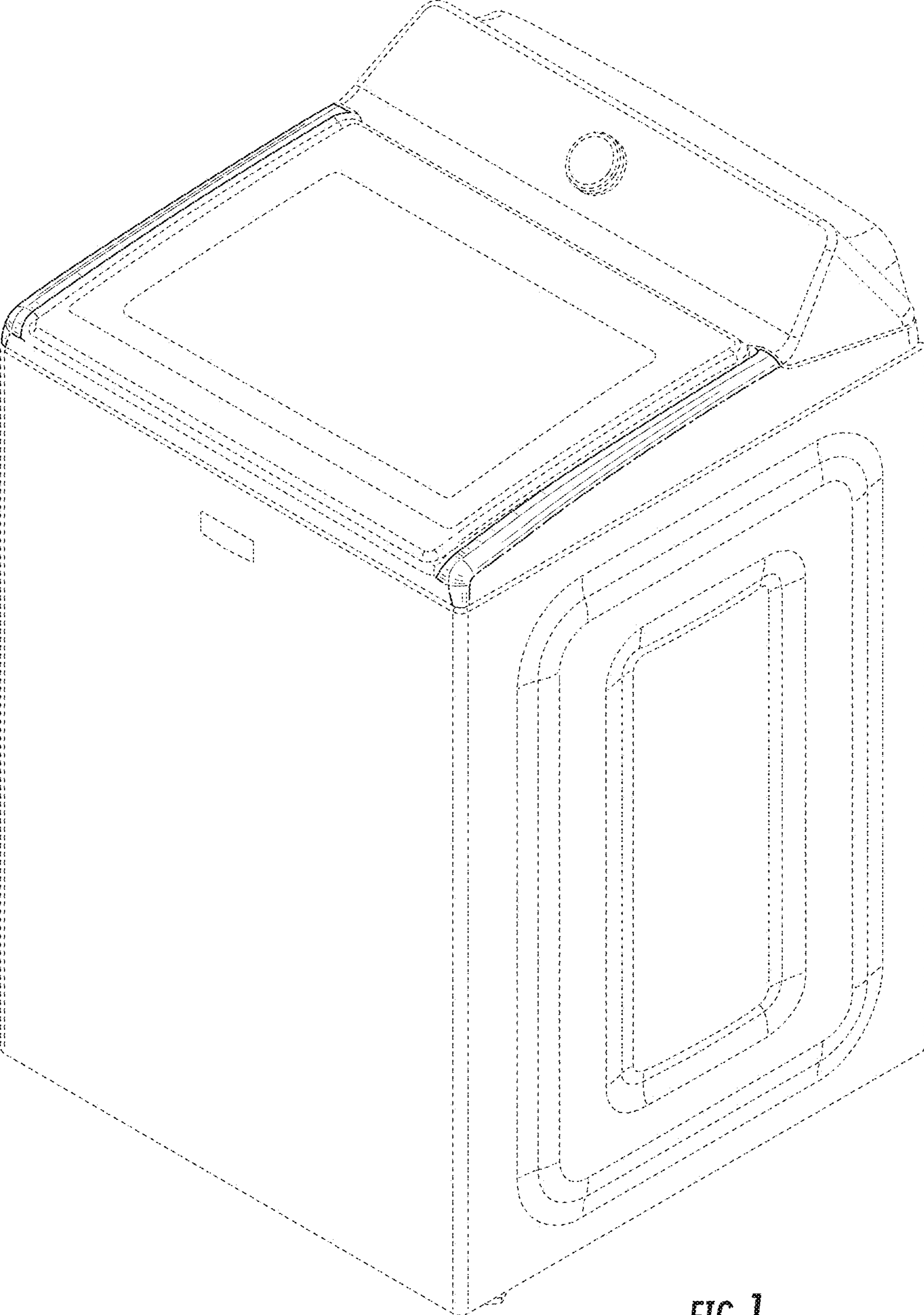


FIG. 1

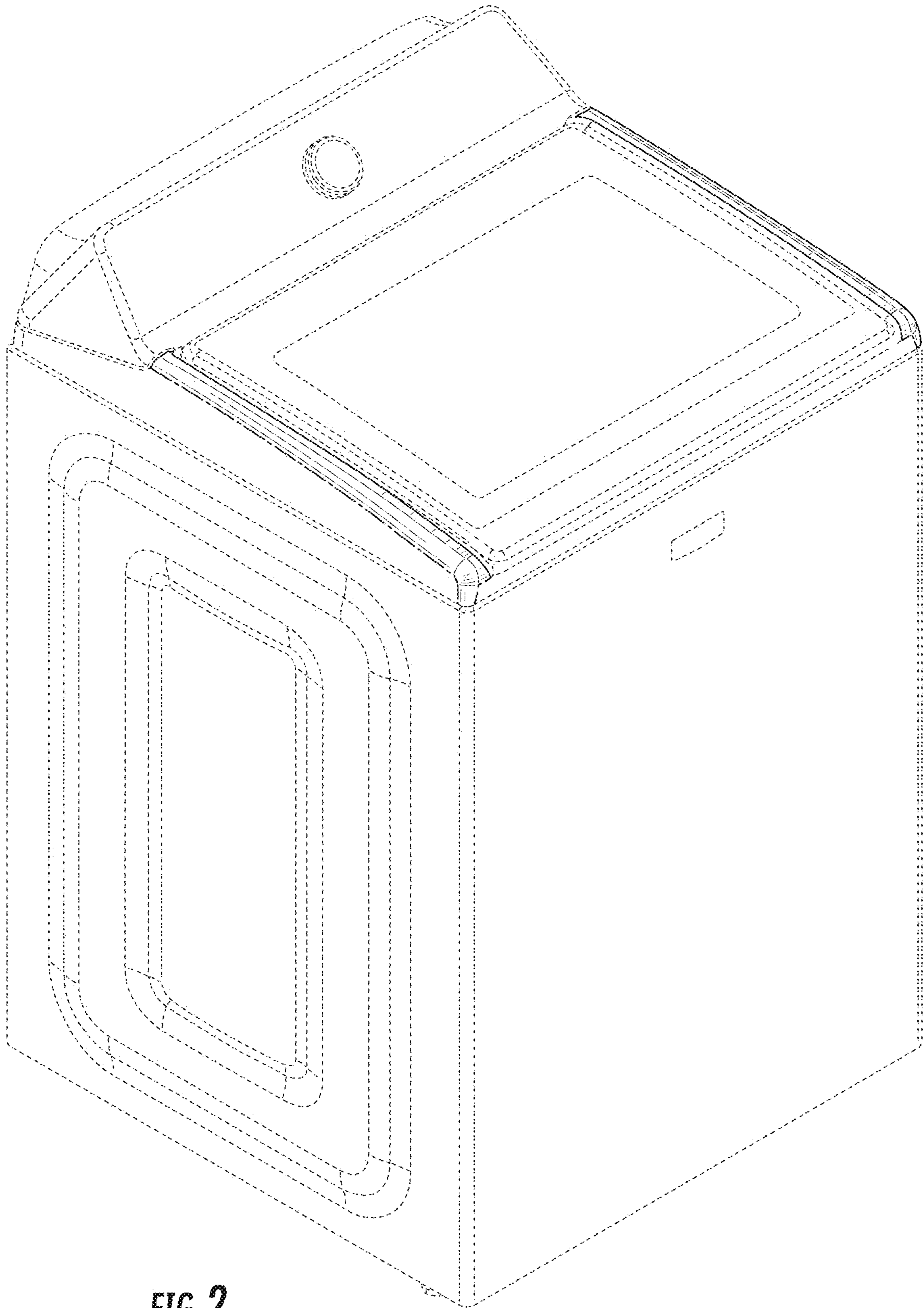


FIG. 2

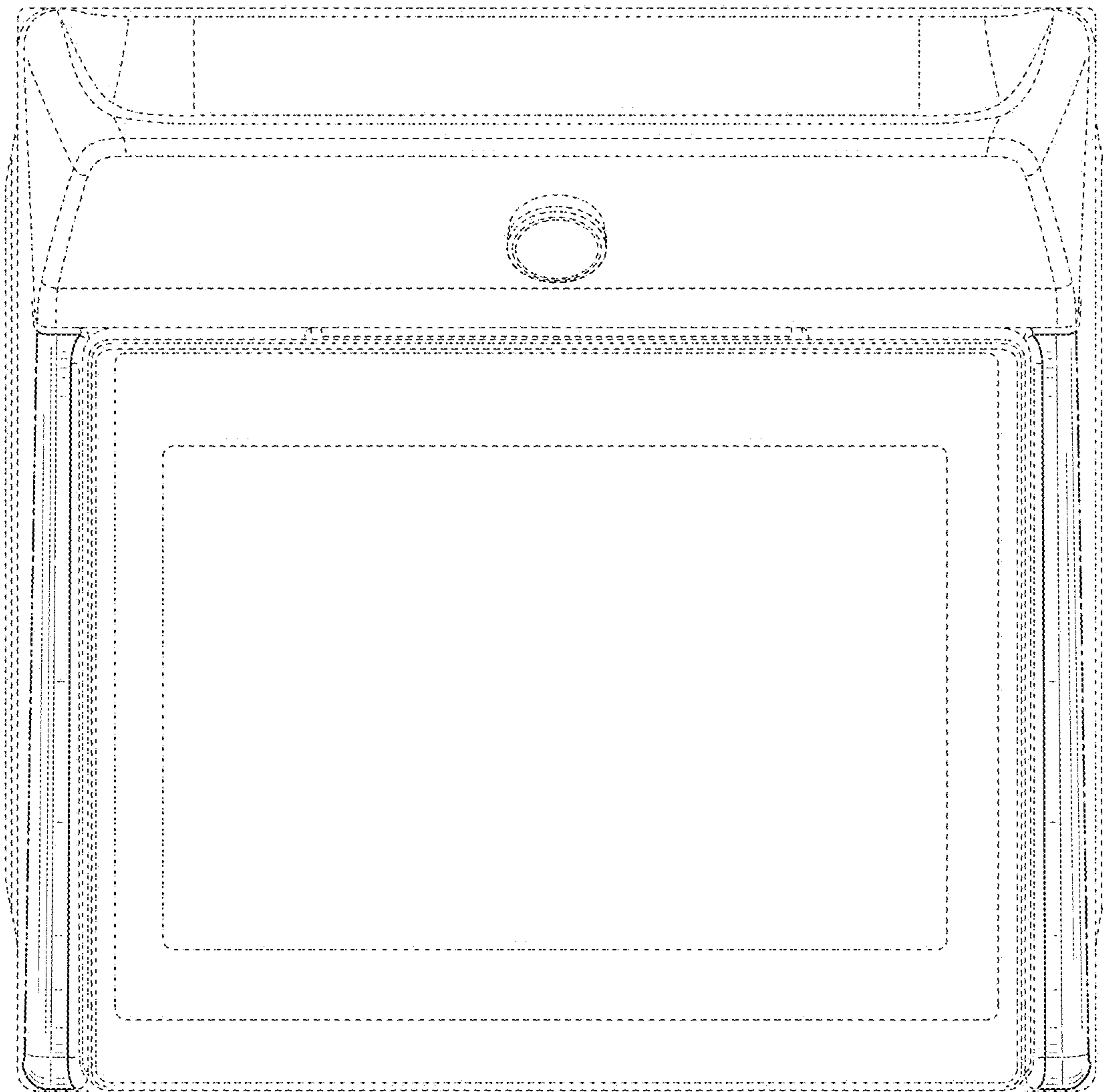
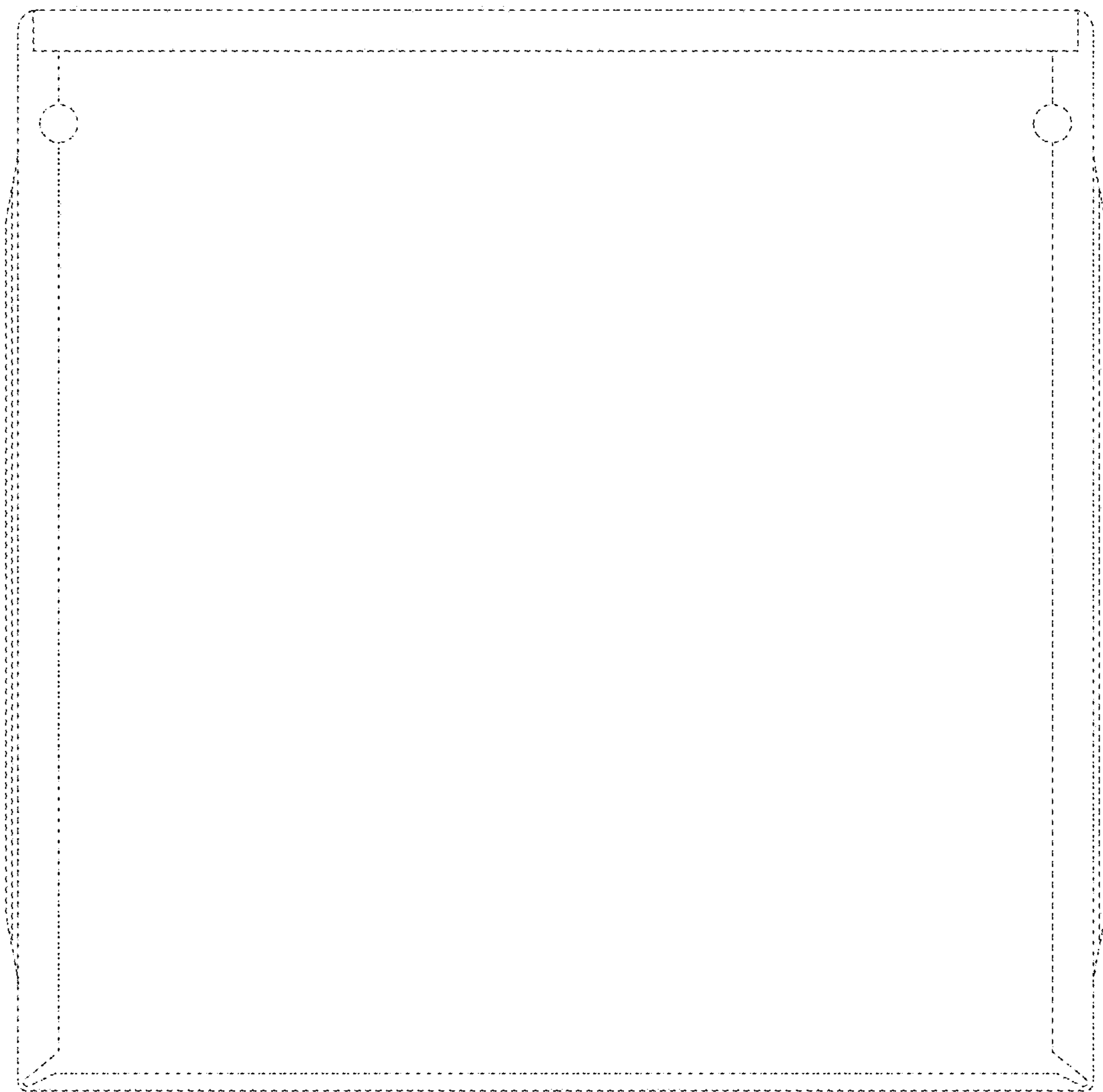


FIG. 3



**FIG. 4**

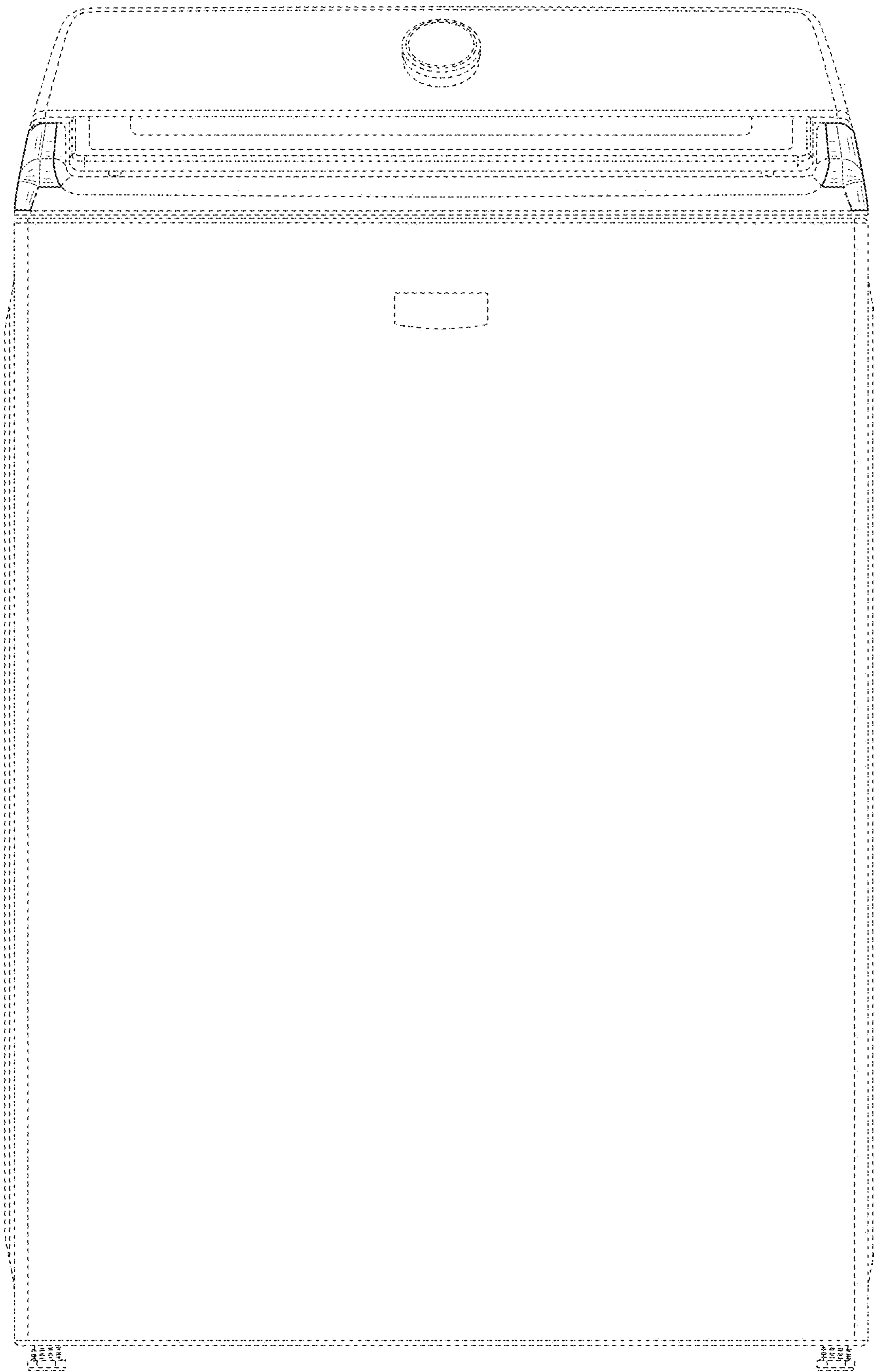


FIG. 5

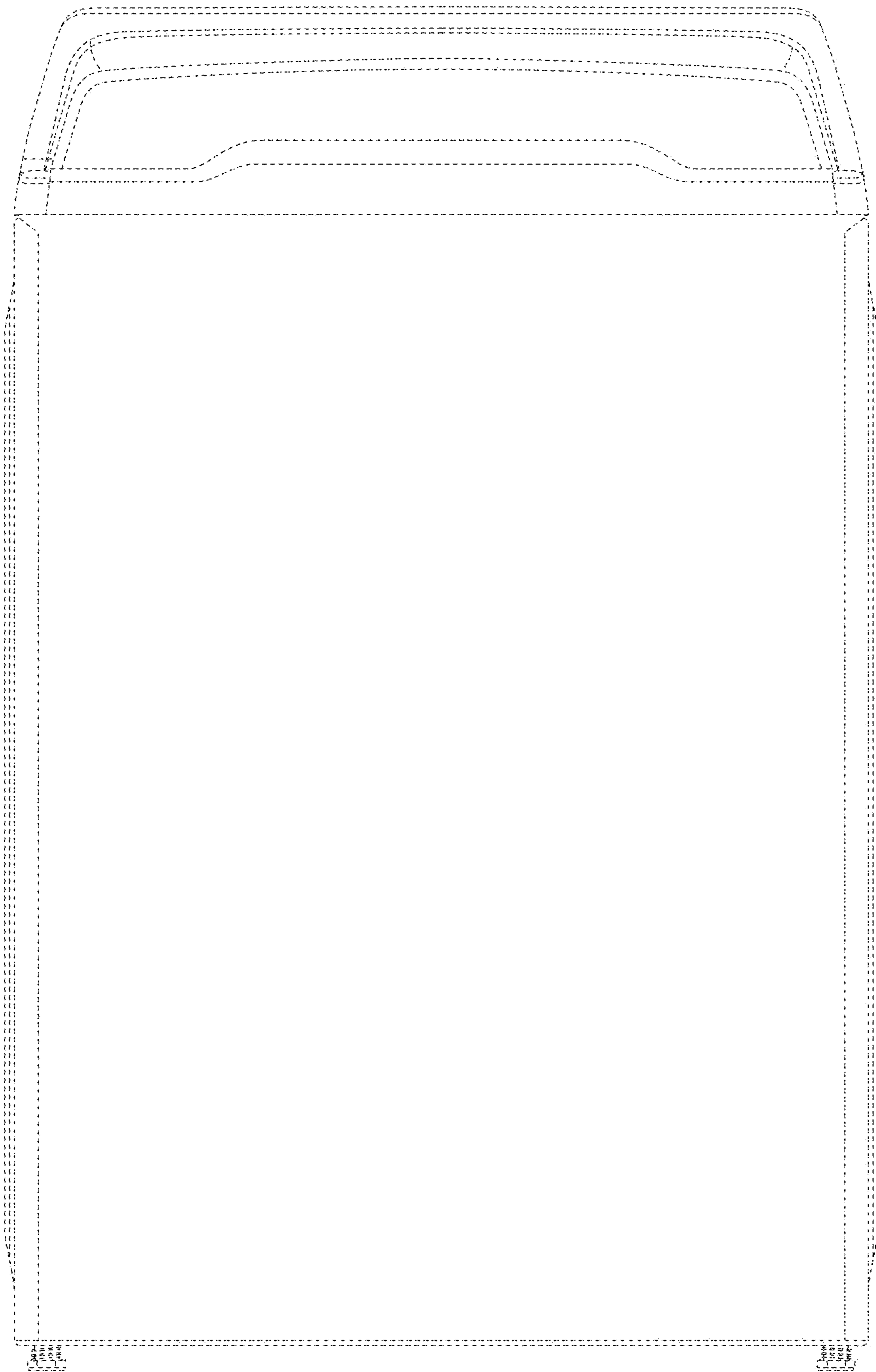


FIG. 6



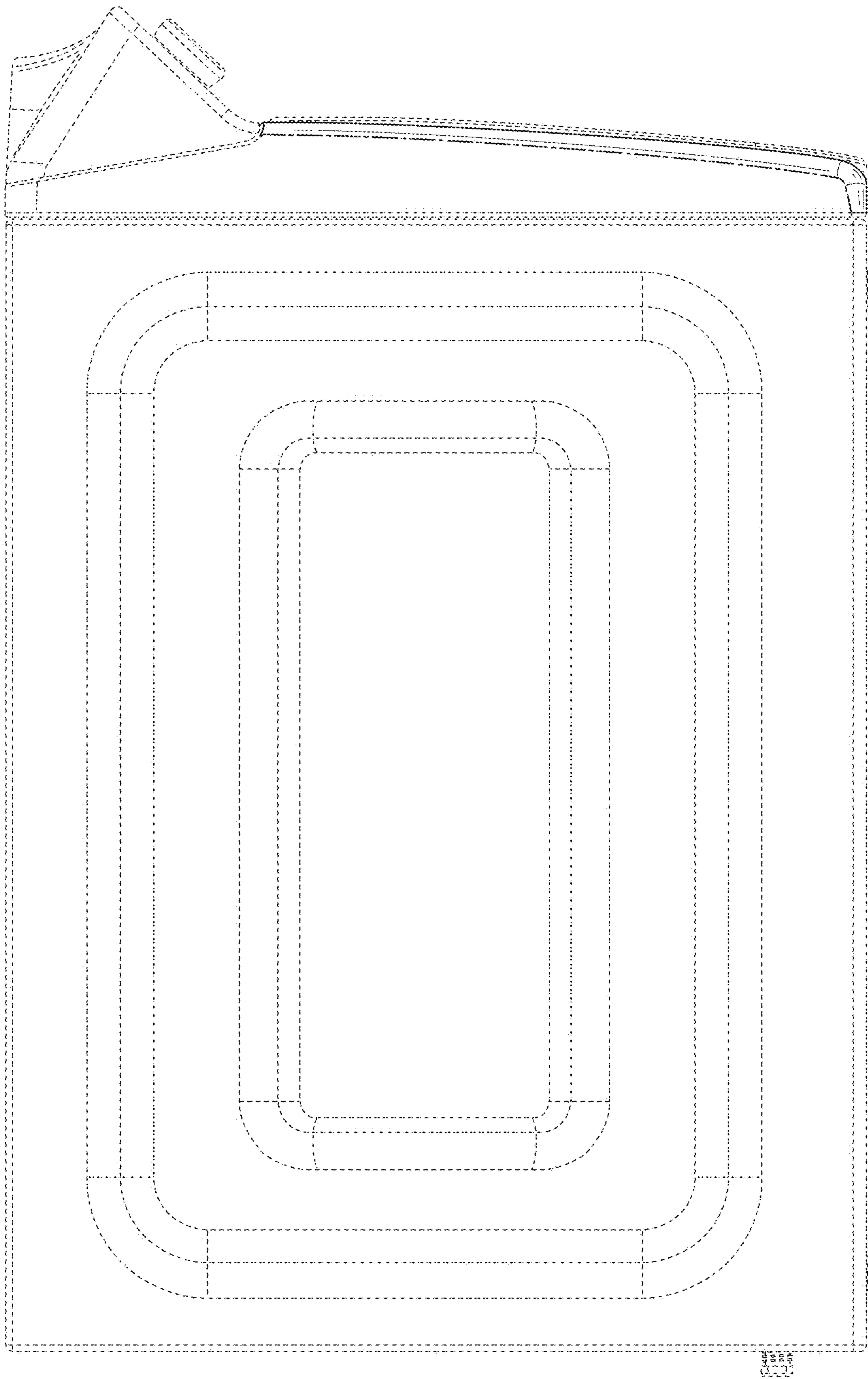


FIG. 7

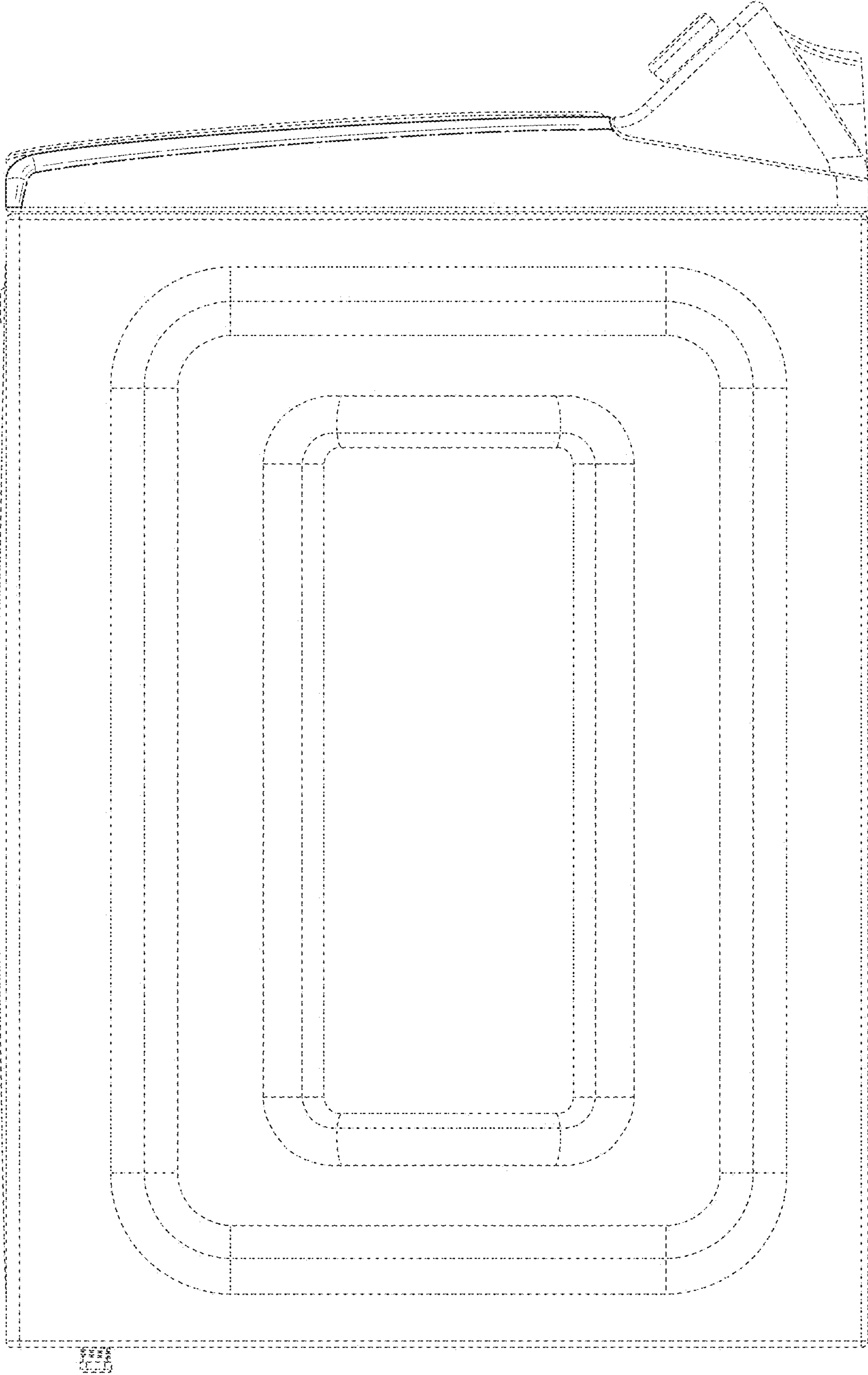


FIG. 8

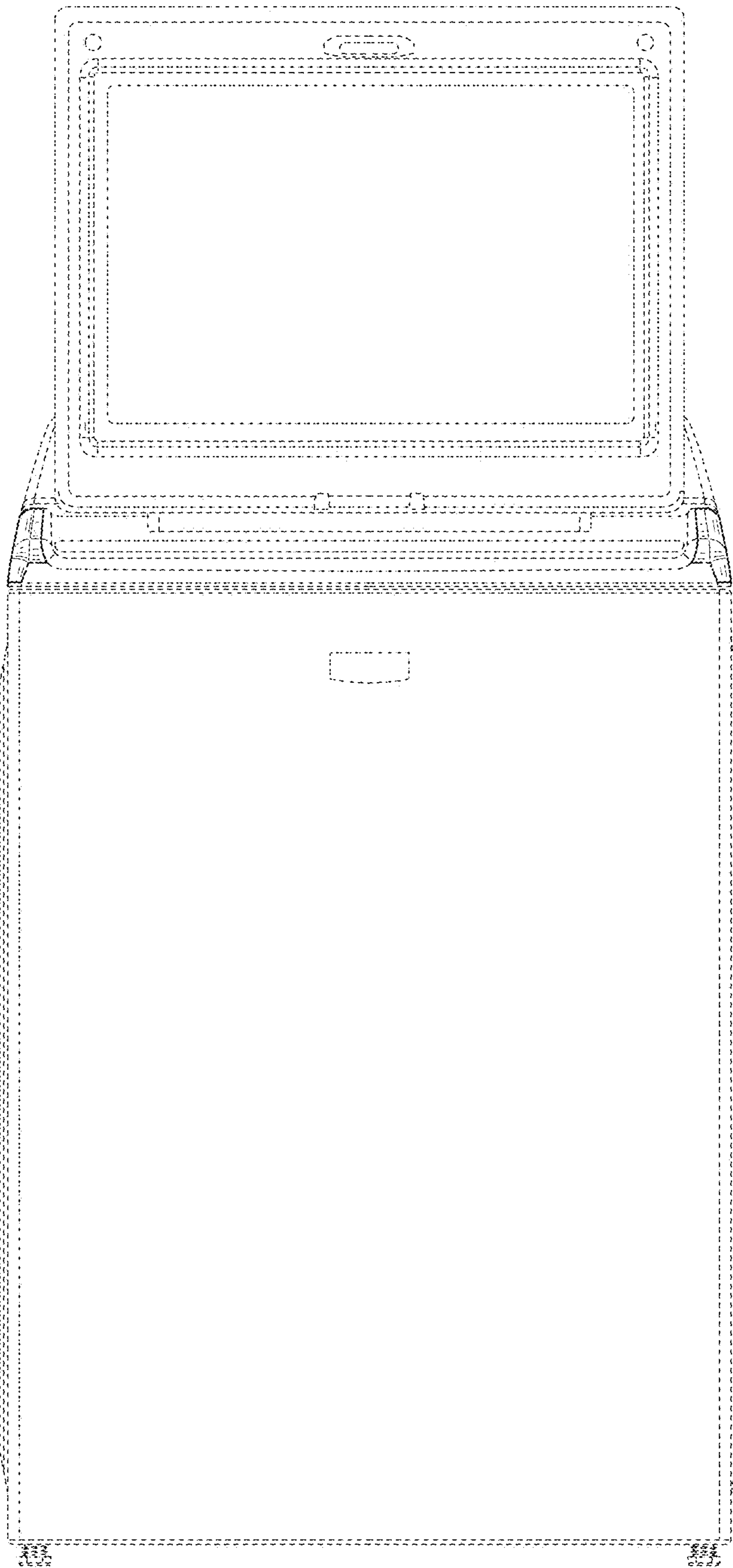


FIG. 9