



US00D942715S

(12) **United States Design Patent** (10) **Patent No.:** **US D942,715 S**
Alarcon et al. (45) **Date of Patent:** **** Feb. 1, 2022**

(54) **FABRIC CARE APPLIANCE**

D359,602 S 6/1995 Swartz et al.
D360,500 S 7/1995 Millet et al.
5,437,168 A * 8/1995 Mason D06F 37/10
68/3 R

(71) Applicant: **WHIRLPOOL CORPORATION**,
Benton Harbor, MI (US)

(Continued)

(72) Inventors: **Luis Antonio Alarcon**, Nuevo León (MX); **Seth E. Bixby**, Stevensville, MI (US); **Marcos Lima Nogueira Costa**, Joinville (BR); **Marco Ali Curti Espinosa**, Nuevo León (MX); **Sayer J. Murphy**, St. Joseph, MI (US); **Jun Young Park**, St. Joseph, MI (US); **Bruno T. Ramasco**, Stevensville, MI (US); **Joel R. Shinaberry**, St. Joseph, MI (US); **Andrew C. Kubasiak**, St. Joseph, MI (US)

FOREIGN PATENT DOCUMENTS

EP 1508284 A1 2/2005
WO 0216686 A1 2/2002

(Continued)

OTHER PUBLICATIONS

Whirlpool Top loading washer <https://www.lowes.com/pd/Whirlpool-Smart-4-8-cu-ft-High-Efficiency-Top-Load-Washer-White/1002589180> (Year: 2020).*

(Continued)

(73) Assignee: **Whirlpool Corporation**, Benton Harbor, MI (US)

Primary Examiner — Michelle E. Wilson
Assistant Examiner — Richard E Yenchesky

(**) Term: **15 Years**

(74) *Attorney, Agent, or Firm* — Price Heneveld LLP

(21) Appl. No.: **29/665,854**

(57) **CLAIM**

(22) Filed: **Oct. 8, 2018**

The ornamental design for a fabric care appliance, as shown and described.

(51) **LOC (13) Cl.** **15-05**

DESCRIPTION

(52) **U.S. Cl.**

USPC **D32/1**

(58) **Field of Classification Search**

USPC D32/1, 6, 8, 25, 28
CPC D06F 17/12; D06F 33/00; D06F 33/48;
D06F 37/40; D06F 37/203; D06F 39/088;
D06F 37/24; D06F 37/10; H02K 21/16;
H02K 1/187; H02P 6/08; C11D 3/0063

See application file for complete search history.

FIG. 1 is a front perspective view of a fabric care appliance according to a first embodiment of our design; FIG. 2 is a front elevation view thereof; FIG. 3 is a back elevation view thereof; FIG. 4 is a left side elevation view thereof; FIG. 5 is a right side elevation view thereof; FIG. 6 is a top plan view thereof; and, FIG. 7 is a bottom plan view thereof.

The portions of the article shown in broken line form no part of the claimed design.

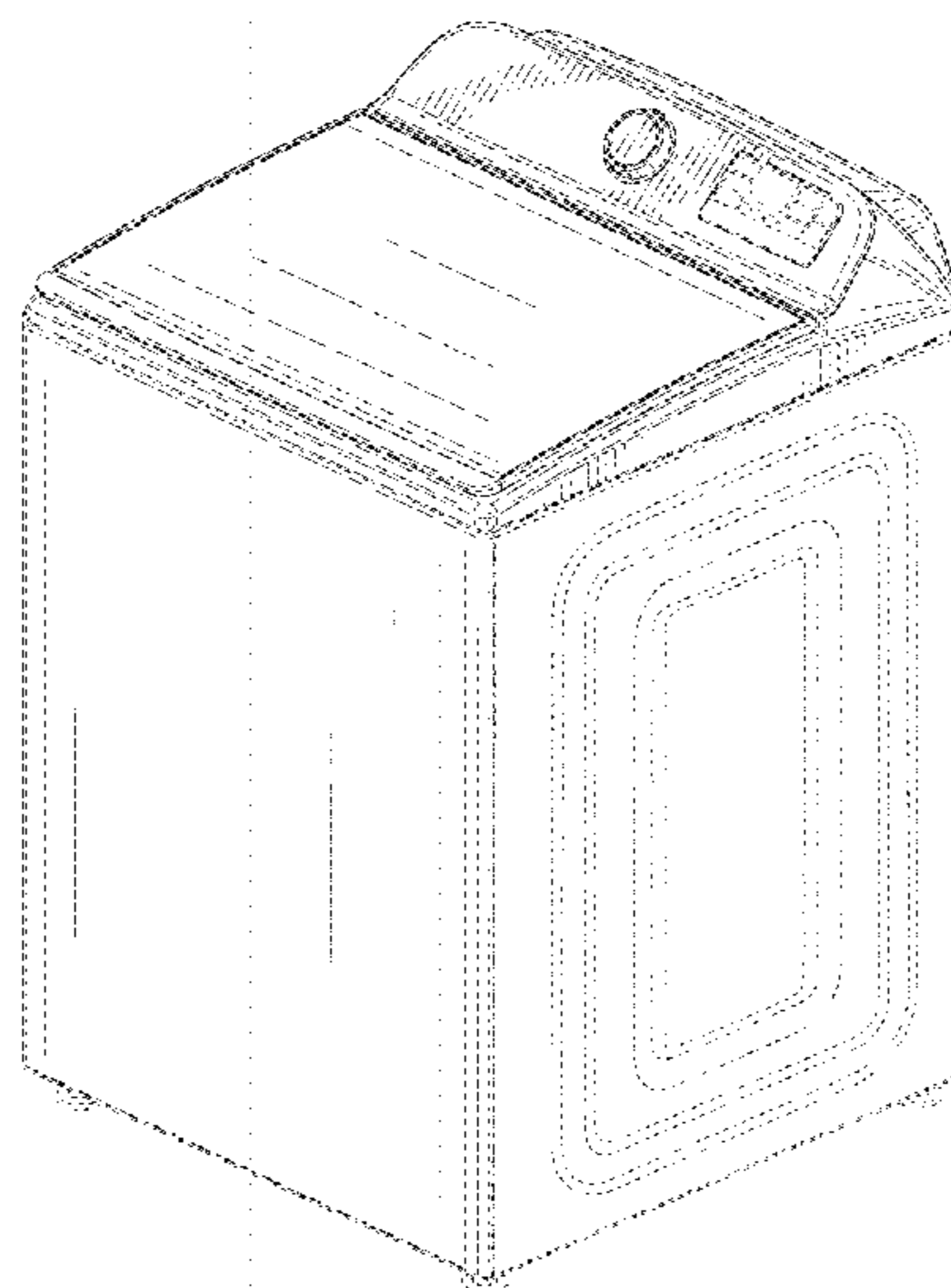
Dash-dot lines adjacent un-shaded areas represent bounds of the claimed design and form no part of the claimed design themselves.

(56) **References Cited**

U.S. PATENT DOCUMENTS

3,490,254 A 1/1970 Mason
4,307,588 A 12/1981 Smith et al.
4,429,817 A 2/1984 Ikeda

1 Claim, 7 Drawing Sheets



(56)

References Cited

U.S. PATENT DOCUMENTS

D380,883 S *	7/1997	Katz	D32/25	9,027,370 B2	5/2015	Leibman et al.	
6,210,064 B1	4/2001	White et al.		D733,372 S	6/2015	Song et al.	
6,216,498 B1	4/2001	Wright et al.		D733,375 S	6/2015	Uk et al.	
6,353,954 B1	3/2002	Dunsbergen et al.		9,049,929 B2	6/2015	Kilgore et al.	
D465,308 S	11/2002	Resuello et al.		D739,096 S	9/2015	Qin et al.	
D474,313 S *	5/2003	Byrne	D32/28	9,200,842 B2	12/2015	Hopkins	
D484,652 S	12/2003	Clark et al.		D758,028 S	5/2016	Bixby et al.	
6,665,984 B2	12/2003	Bienick et al.		D758,029 S	5/2016	Bixby et al.	
D489,152 S *	4/2004	Sneddon	D32/28	D758,033 S *	5/2016	Bixby	D32/25
D489,496 S *	5/2004	Sneddon	D32/6	D759,325 S	6/2016	Jeon et al.	
D491,324 S	6/2004	Kim et al.		D760,454 S	6/2016	Joo et al.	
D492,073 S	6/2004	Sneddon		D760,967 S	7/2016	Joo et al.	
D496,507 S	9/2004	Johnson et al.		D761,502 S	7/2016	Joo et al.	
D515,256 S	2/2006	Tsuda et al.		D761,503 S	7/2016	Choi et al.	
D517,254 S	3/2006	Geyer		D762,021 S	7/2016	Qin et al.	
D521,197 S	5/2006	Kim et al.		D762,025 S	7/2016	Joo et al.	
D524,494 S	7/2006	Kim et al.		D764,121 S	8/2016	Coi et al.	
D527,150 S	8/2006	Jun		D771,329 S	11/2016	Fueglein et al.	
D527,853 S	9/2006	Carey et al.		D772,505 S	11/2016	Bixby et al.	
D532,941 S	11/2006	Carey et al.		D772,506 S	11/2016	Bixby et al.	
D538,488 S	3/2007	Carey et al.		D773,756 S	12/2016	Hwang et al.	
D542,487 S	5/2007	Jun		D773,757 S	12/2016	Hwang et al.	
D554,307 S	10/2007	Kim		D780,386 S	2/2017	Lee	
D556,394 S	11/2007	Kim		D781,004 S	3/2017	Lee	
D568,563 S *	5/2008	Stephens	D32/28	D781,007 S	3/2017	Jang et al.	
D571,964 S	6/2008	Kim		D793,012 S	7/2017	Bixby et al.	
D575,012 S	8/2008	Rossetto et al.		D793,632 S	8/2017	Ayers et al.	
D575,464 S	8/2008	Rossetto et al.		D797,387 S	9/2017	Bixby et al.	
D585,164 S	1/2009	Kosukegawa et al.		D798,005 S	9/2017	Bixby et al.	
D589,215 S	3/2009	Cho et al.		D798,006 S	9/2017	Kang et al.	
D618,865 S	6/2010	Cline et al.		D798,510 S	9/2017	Bixby et al.	
D619,314 S	7/2010	Bixby et al.		D798,511 S *	9/2017	Bixby	D32/6
D620,656 S	7/2010	Bixby et al.		D809,222 S *	1/2018	Kim	D32/6
D621,563 S	8/2010	Bixby et al.		D812,325 S	3/2018	Bixby et al.	
D627,115 S	11/2010	Jeon et al.		D818,219 S *	5/2018	Bixby	D32/6
D630,807 S	1/2011	Song et al.		D824,122 S *	7/2018	Yoon	D32/6
D631,215 S	1/2011	Song et al.		D824,607 S *	7/2018	Bixby	D32/6
D631,623 S	1/2011	Chung et al.		D824,608 S *	7/2018	Bixby	D32/6
D632,033 S	2/2011	Song et al.		D830,650 S *	10/2018	Kim	D32/6
D633,261 S	2/2011	Song et al.		D831,907 S *	10/2018	Bixby	D32/8
D648,084 S	11/2011	Browne et al.		D833,091 S *	11/2018	Ayers	D32/6
D648,085 S	11/2011	Miller et al.		D840,614 S *	2/2019	Bixby	D32/8
D648,497 S	11/2011	Bhattacharya		D841,905 S *	2/2019	Kim	D32/6
D654,640 S	2/2012	Song et al.		D843,670 S *	3/2019	Yoon	D32/6
D661,852 S	6/2012	Song et al.		D846,208 S *	4/2019	Grasselli	D32/1
8,297,085 B2	10/2012	Kim et al.		D847,444 S *	4/2019	Ayers	D32/6
D679,462 S	4/2013	Zhang et al.		D858,914 S *	9/2019	Bixby	D32/6
D681,892 S	5/2013	Meda et al.		D867,691 S *	11/2019	Lee	D32/6
D682,492 S	5/2013	Chung et al.		D867,692 S *	11/2019	Ayers	D32/6
D683,088 S	5/2013	Chung et al.		D869,791 S *	12/2019	Ko	D32/6
8,511,115 B2	8/2013	Kim et al.		D873,515 S *	1/2020	Bixby	D32/25
D690,061 S	9/2013	Kim		D894,507 S *	8/2020	Kim	D32/25
D694,965 S	12/2013	Lee et al.		D916,401 S *	4/2021	Bixby	D32/6
D695,474 S	12/2013	Calmeise		D922,700 S *	6/2021	Kim	D32/8
D697,680 S	1/2014	Hwang et al.		2003/0042654 A1	3/2003	Bienick et al.	
D699,906 S	2/2014	Choi et al.		2003/0104962 A1	6/2003	Verherbrugghen et al.	
D699,907 S	2/2014	Choi et al.		2004/0068951 A1	4/2004	Bienick et al.	
D700,410 S	2/2014	Hwang et al.		2004/0231370 A1	11/2004	Cheo et al.	
D701,656 S	3/2014	Choi et al.		2004/0265042 A1	12/2004	Chan et al.	
D701,659 S	3/2014	Choi		2005/0050925 A1	3/2005	Je et al.	
D703,887 S	4/2014	Lee et al.		2006/0254323 A1	11/2006	Kim	
D704,907 S	5/2014	Yoo et al.		2006/0288742 A1	12/2006	Hapke et al.	
D705,508 S *	5/2014	Calmeise	D32/28	2007/0107471 A1 *	5/2007	Zaccone	D06F 39/088 68/3 R
D708,800 S	7/2014	Choi et al.		2009/0193678 A1	8/2009	Latack et al.	
D709,657 S	7/2014	Shin et al.		2009/0229320 A1	9/2009	Yoo et al.	
8,763,431 B2	7/2014	Kim et al.		2011/0050059 A1	3/2011	Kim et al.	
D711,605 S	8/2014	Jo et al.		2011/0050060 A1	3/2011	Kim et al.	
D712,603 S	9/2014	Geyer et al.		2011/0062837 A1	3/2011	Kim et al.	
8,820,861 B2	9/2014	Kim et al.		2011/0089793 A1	4/2011	Kim et al.	
D718,505 S	11/2014	Hyoungsub et al.		2011/0121694 A1	5/2011	Kim et al.	
8,936,330 B2	1/2015	Kim et al.		2011/0296630 A1	12/2011	Frazer et al.	
D729,467 S	5/2015	Jee et al.		2011/0308281 A1 *	12/2011	Yu	D06F 37/24 68/212
D729,998 S	5/2015	Jeon et al.		2012/0327201 A1	12/2012	Kappler et al.	
D730,595 S	5/2015	Jeong et al.		2013/0193823 A1	8/2013	Cho et al.	
D730,597 S *	5/2015	Jeon	D32/8	2013/0255330 A1 *	10/2013	Chupka	H02K 1/187 68/212

(56)

References Cited

U.S. PATENT DOCUMENTS

2013/0327101 A1* 12/2013 Leibman D06F 23/04
68/17 R

2014/0210324 A1 7/2014 Kilgore et al.

2014/0327101 A1 11/2014 Mori et al.

2014/0373284 A1 12/2014 Leibman et al.

2015/0123521 A1 5/2015 Lee et al.

2015/0211165 A1* 7/2015 Willey C11D 3/0063
8/137

2015/0233039 A1 8/2015 Cho et al.

2015/0233042 A1 8/2015 Kang et al.

2015/0252508 A1 9/2015 Kim et al.

2015/0267337 A1 9/2015 Kim et al.

2015/0284895 A1* 10/2015 Davis D06F 37/203
68/131

2015/0292136 A1 10/2015 Leonard et al.

2015/0345069 A1 12/2015 Leibman et al.

2016/0010268 A1 1/2016 Hawboldt et al.

2016/0220088 A1 8/2016 Zohar et al.

2017/0292216 A1* 10/2017 Goshgarian D06F 37/40

2017/0302208 A1* 10/2017 Je D06F 33/00

2017/0327989 A1* 11/2017 Farrington D06F 37/40

2017/0362762 A1 12/2017 Carpenter et al.

2018/0179689 A1* 6/2018 Kang D06F 39/088

2019/0032266 A1* 1/2019 Miyake H02P 6/08

2020/0040509 A1* 2/2020 Shinohara D06F 33/48

2020/0080246 A1* 3/2020 Miyake H02K 21/16

FOREIGN PATENT DOCUMENTS

WO 205009198 A1 2/2005

WO 2017067851 A1 4/2017

OTHER PUBLICATIONS

Whirlpool Front Load <https://www.homedepot.com/p/Whirlpool-7-0-cu-ft-240-Volt-White-Electric-Vented-Dryer-with-AUTODRY-Drying-System-WED4950HW/304753183> (Year: 2018).*

* cited by examiner

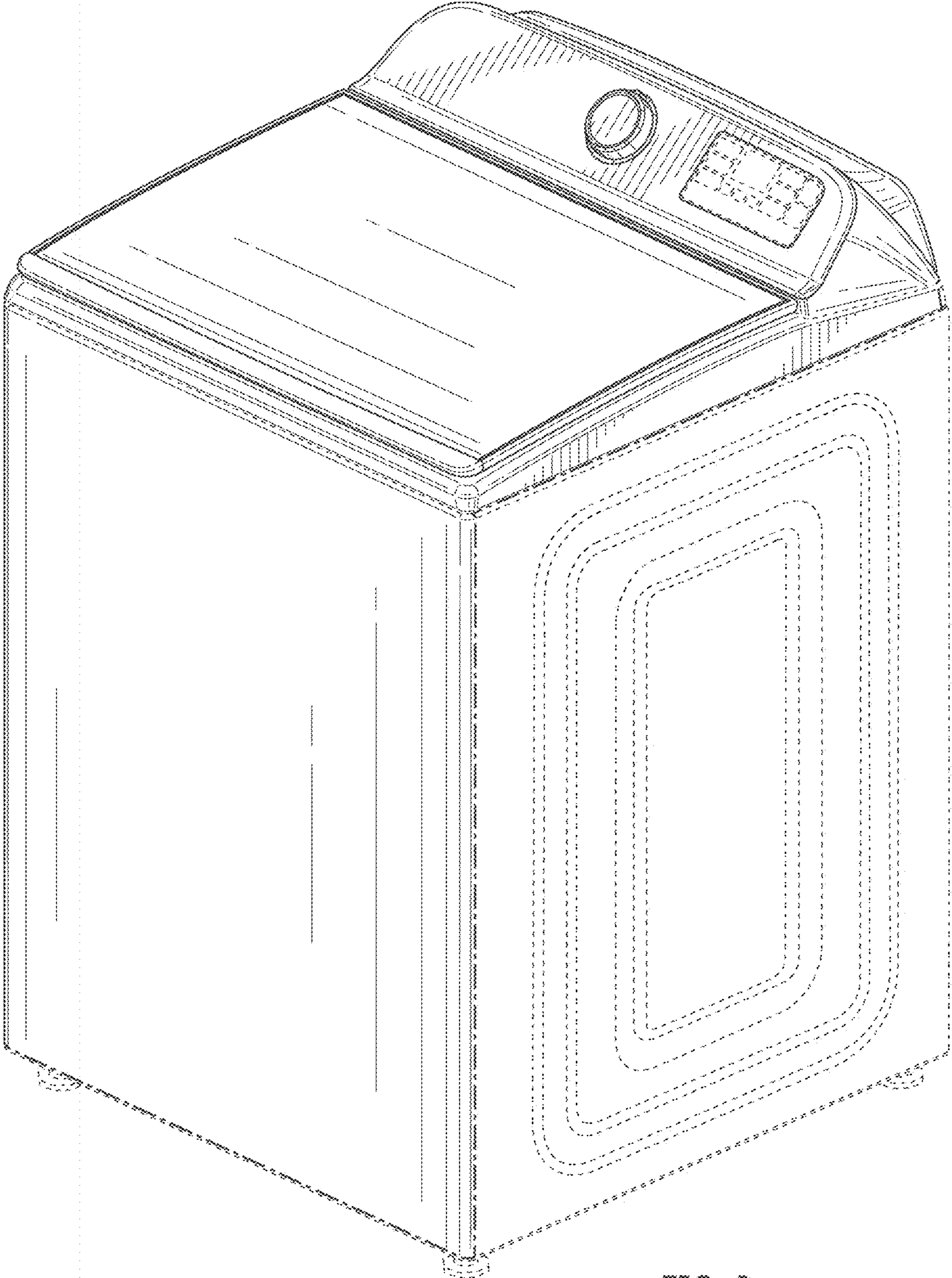


FIG. 1

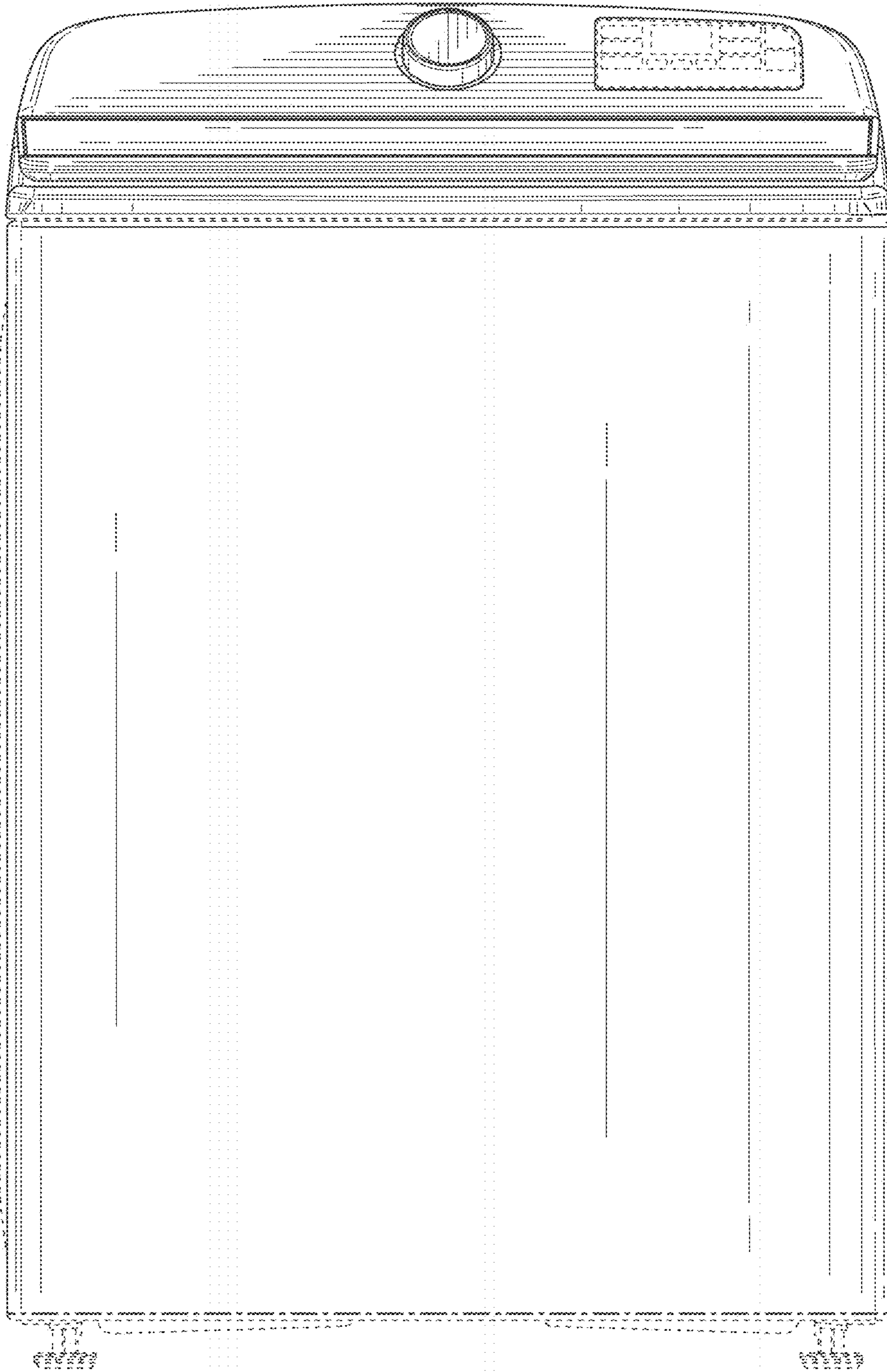


FIG. 2

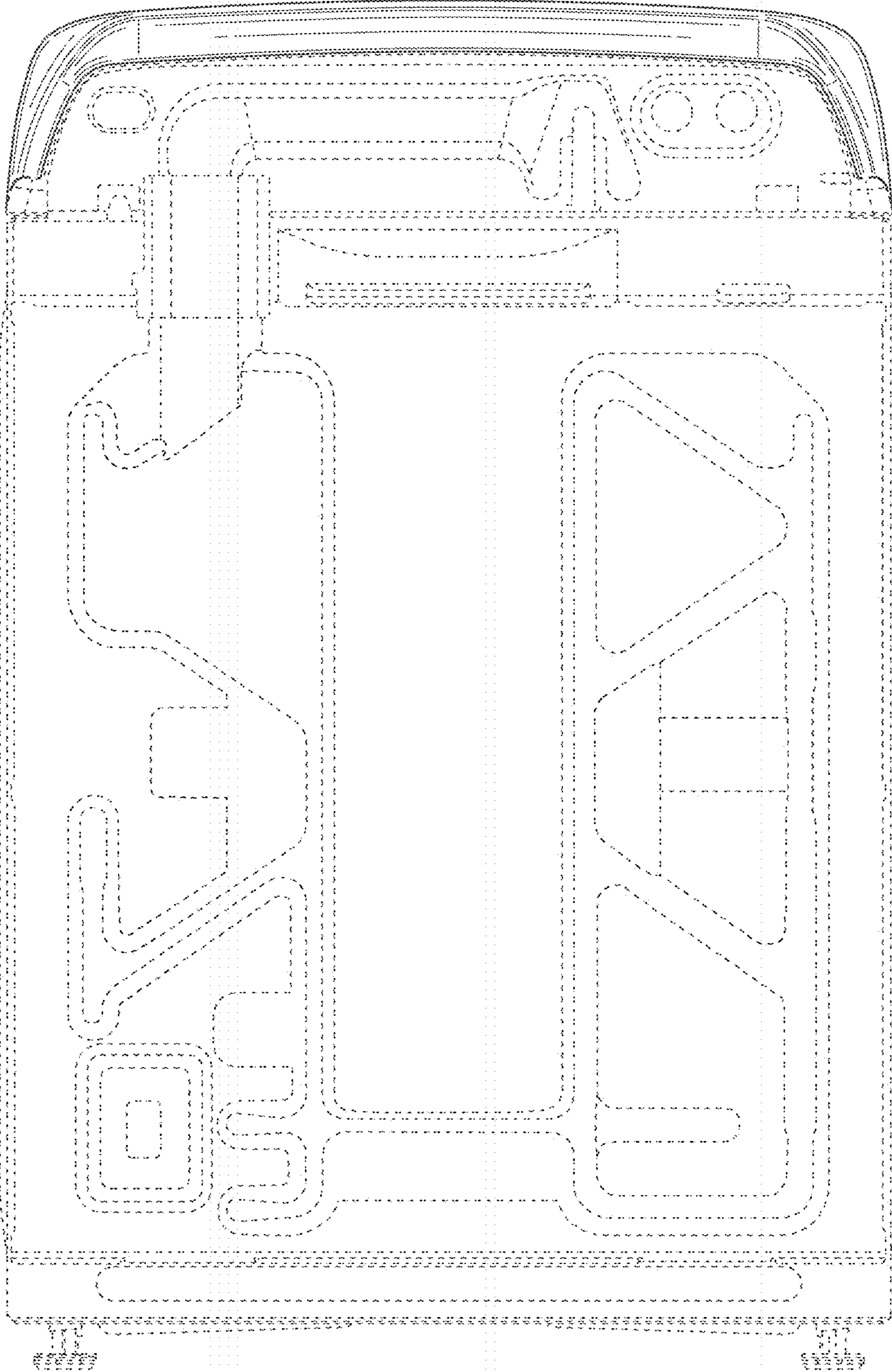


FIG. 3

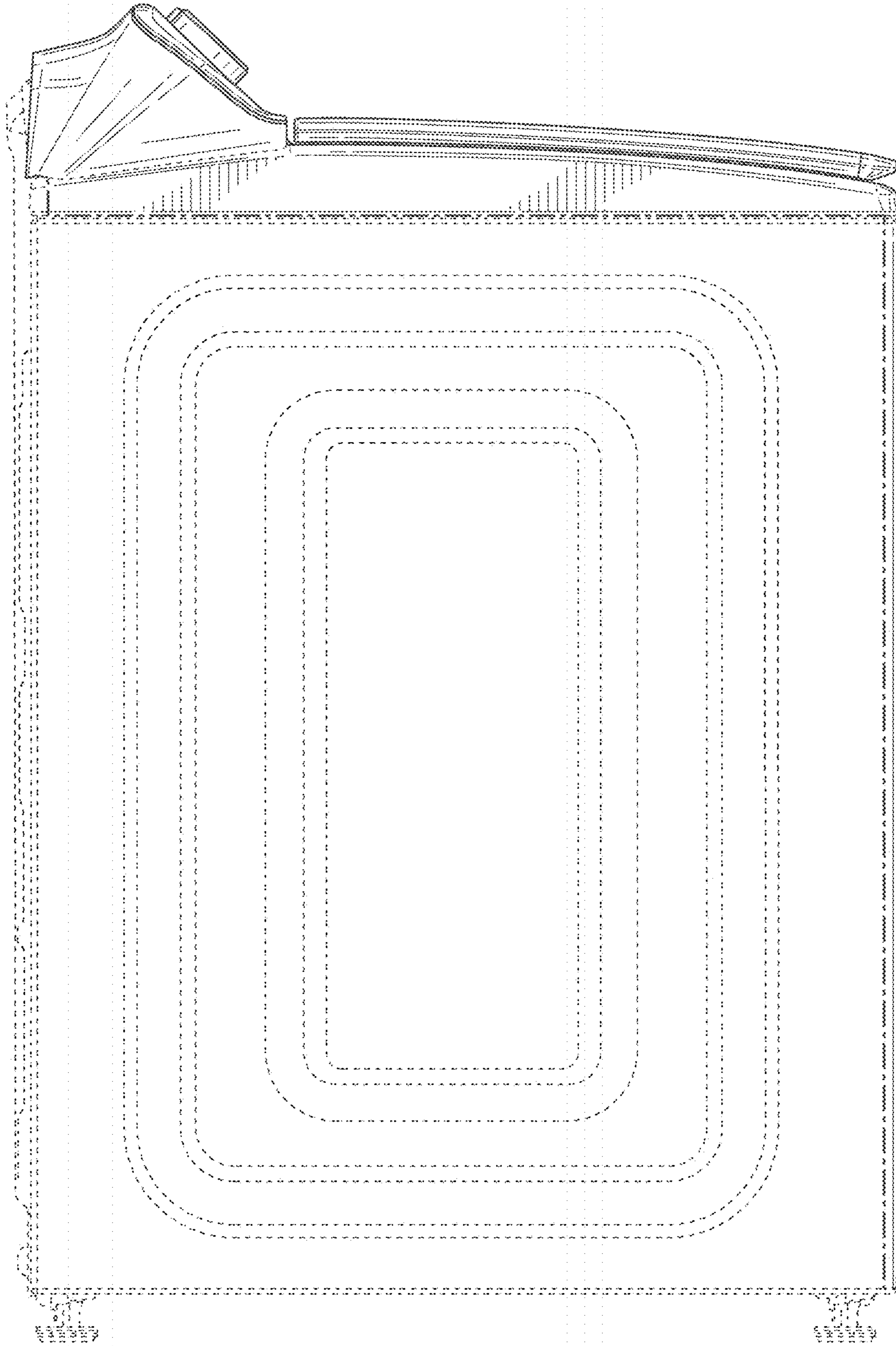


FIG. 4

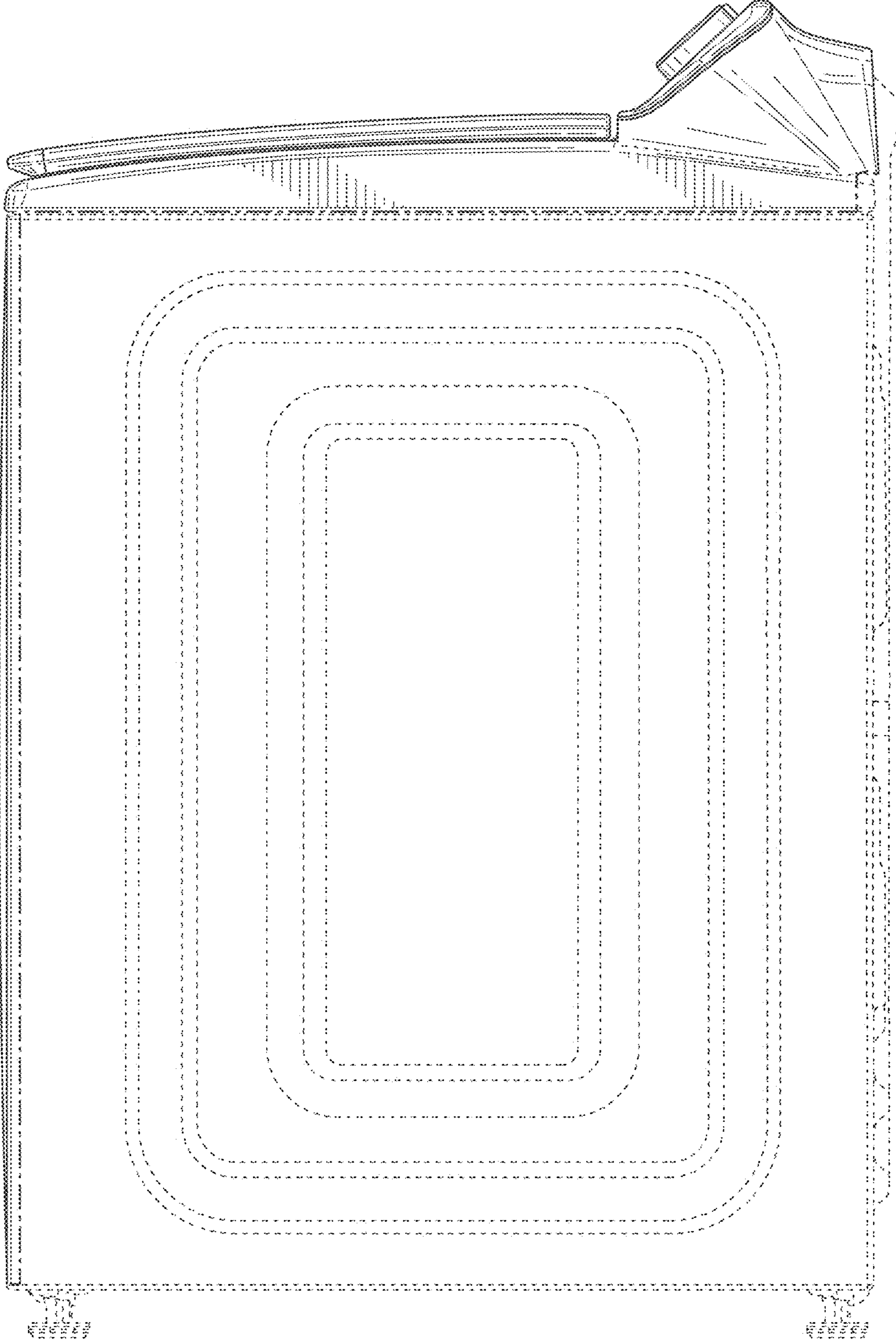


FIG. 5

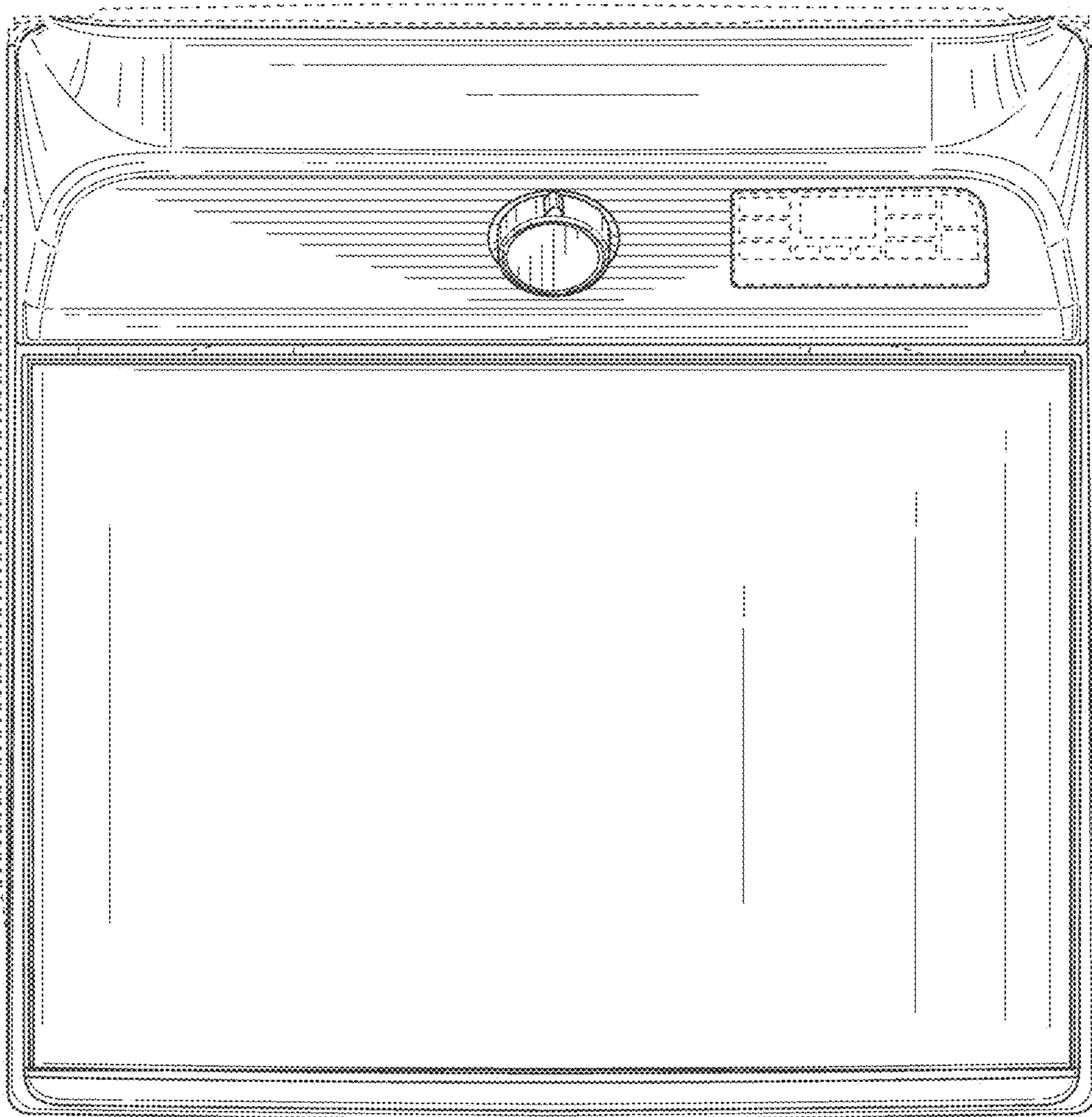


FIG. 6

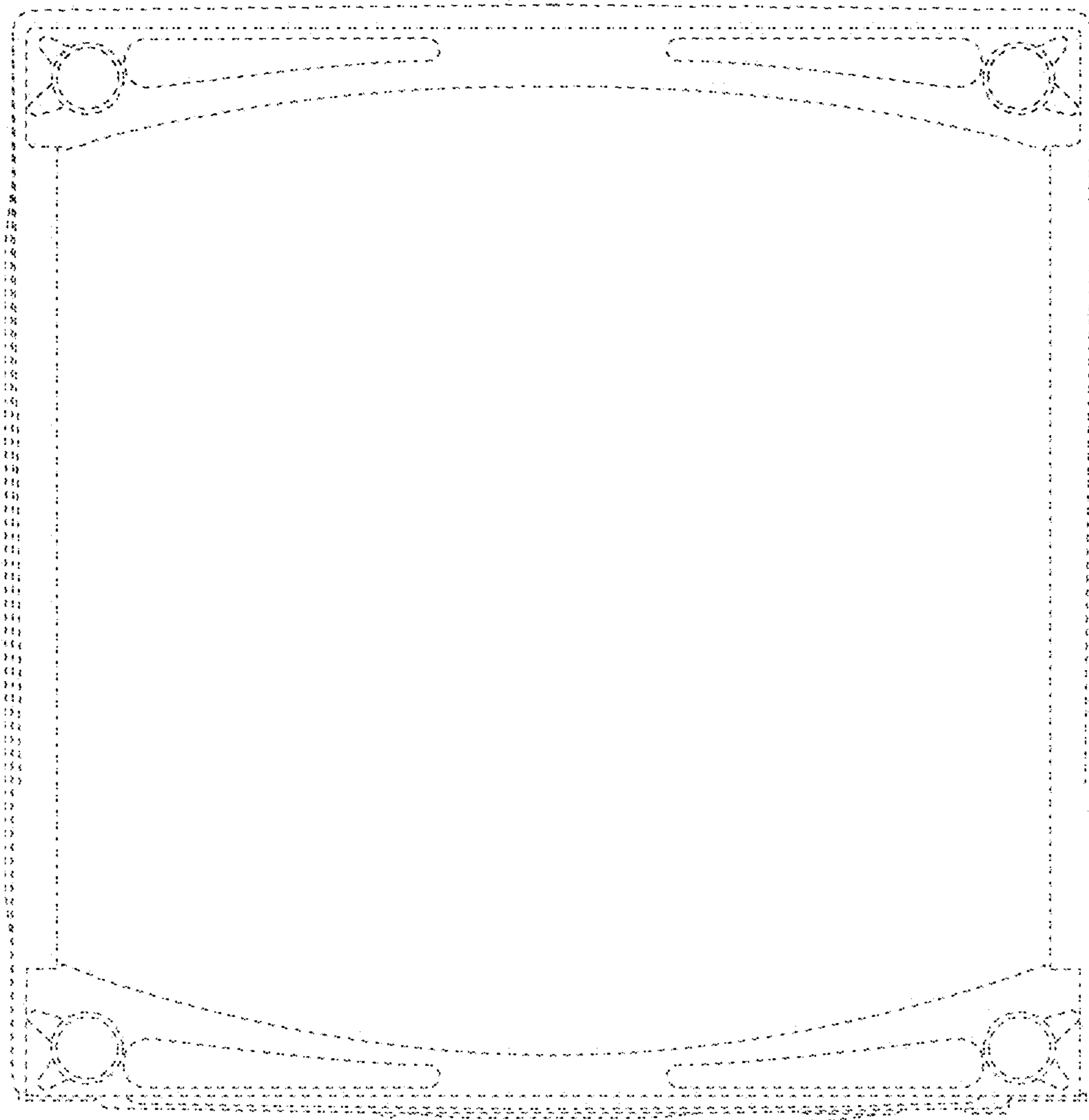


FIG. 7