



US00D942712S

(12) **United States Design Patent**
Huang

(10) **Patent No.:** **US D942,712 S**

(45) **Date of Patent:** **** Feb. 1, 2022**

(54) **CAT CLIMBING FRAME**
(71) Applicant: **Zhengzhou Biwei Import and Export Trade Co., Ltd., Zhengzhou (CN)**

D886,398 S * 6/2020 Song D30/160
D891,711 S * 7/2020 He D30/160
D891,712 S * 7/2020 He D30/160
D906,605 S * 12/2020 Roost D30/160
D911,633 S 2/2021 Ryan
2019/0230896 A1* 8/2019 Goldman A01K 1/035

(72) Inventor: **Zheng Huang, Xinye (CN)**

* cited by examiner

(**) Term: **15 Years**

Primary Examiner — Sheryl Lane

(21) Appl. No.: **29/774,654**

Assistant Examiner — Aula Soroush

(22) Filed: **Mar. 18, 2021**

(74) *Attorney, Agent, or Firm* — Rumit Ranjit Kanakia

(51) **LOC (13) Cl.** **30-99**

(52) **U.S. Cl.**
USPC **D30/160**

(57) **CLAIM**

The ornamental design for a cat climbing frame, as shown and described.

(58) **Field of Classification Search**
USPC D30/108–120, 158–161; D3/304
CPC A01K 1/0245; A01K 5/0114; A01K 15/02;
A01K 15/04; A01K 15/024; A01K
15/025; A01K 15/027

DESCRIPTION

See application file for complete search history.

FIG. 1 is a front elevational view of a cat climbing frame showing my new design;
FIG. 2 is a rear elevational view thereof;
FIG. 3 is a left elevational view thereof;
FIG. 4 is a right side view thereof;
FIG. 5 is a top plan view thereof;
FIG. 6 is a bottom plan view thereof;
FIG. 7 is a perspective view thereof;
FIG. 8 is a bottom perspective view thereof; and,
FIG. 9 is a partial enlarged view of FIG. 2.

(56) **References Cited**

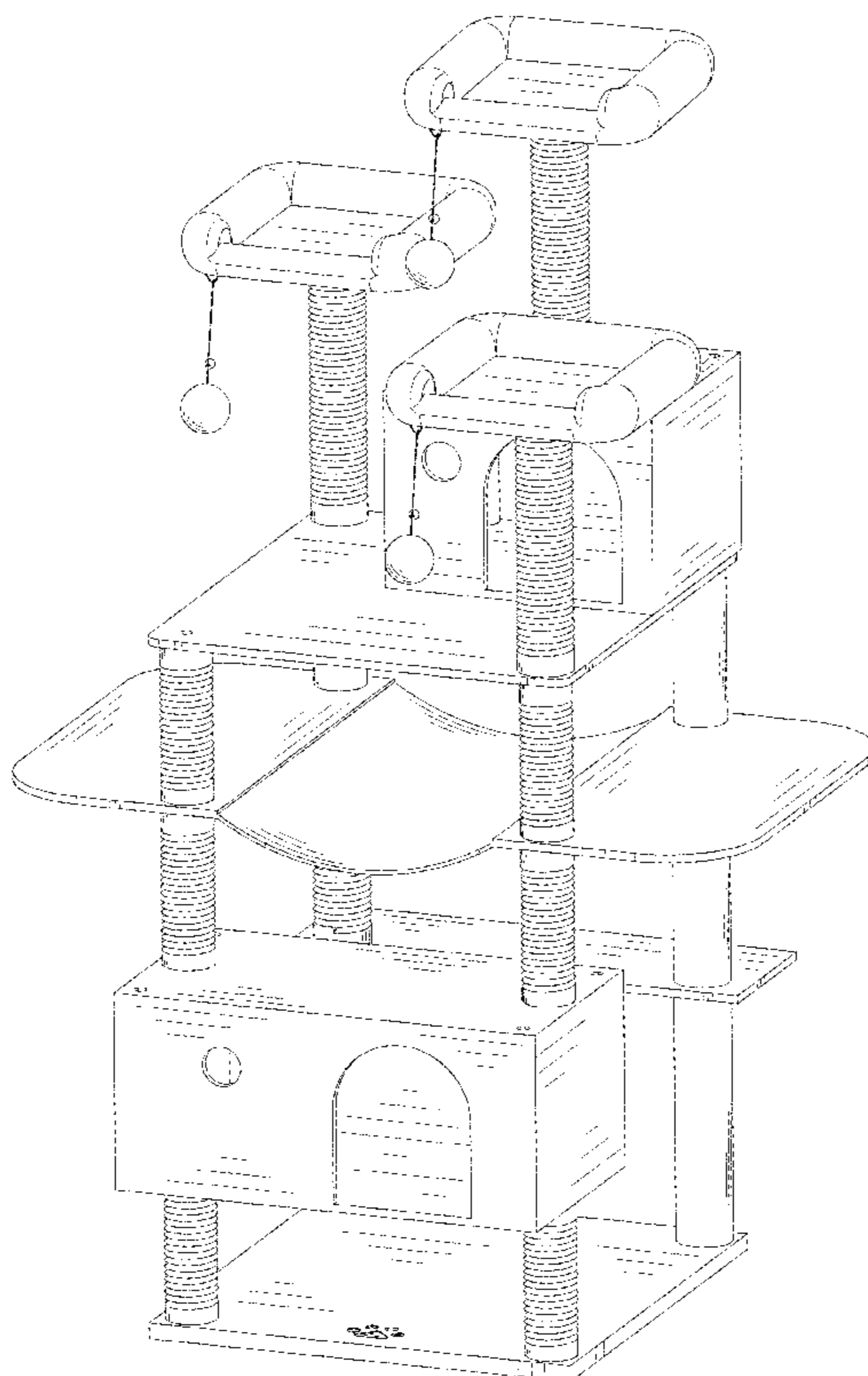
U.S. PATENT DOCUMENTS

D422,754 S 4/2000 Kolozsvan
D702,891 S 4/2014 Yang
D846,206 S * 4/2019 He D30/160
D846,818 S * 4/2019 He D30/160
D881,482 S 4/2020 Jayne
D883,585 S * 5/2020 Song D30/160
D883,586 S * 5/2020 Song D30/160
D884,991 S * 5/2020 Song D30/160
D885,691 S 5/2020 Song

The broken lines in the figures are for the purposes of illustrating portions of the cat climbing frame, which form no part of the claimed design.

All other broken lines in the drawings illustrate cutaways for the enlarged views that form no part of the claimed design.

1 Claim, 9 Drawing Sheets



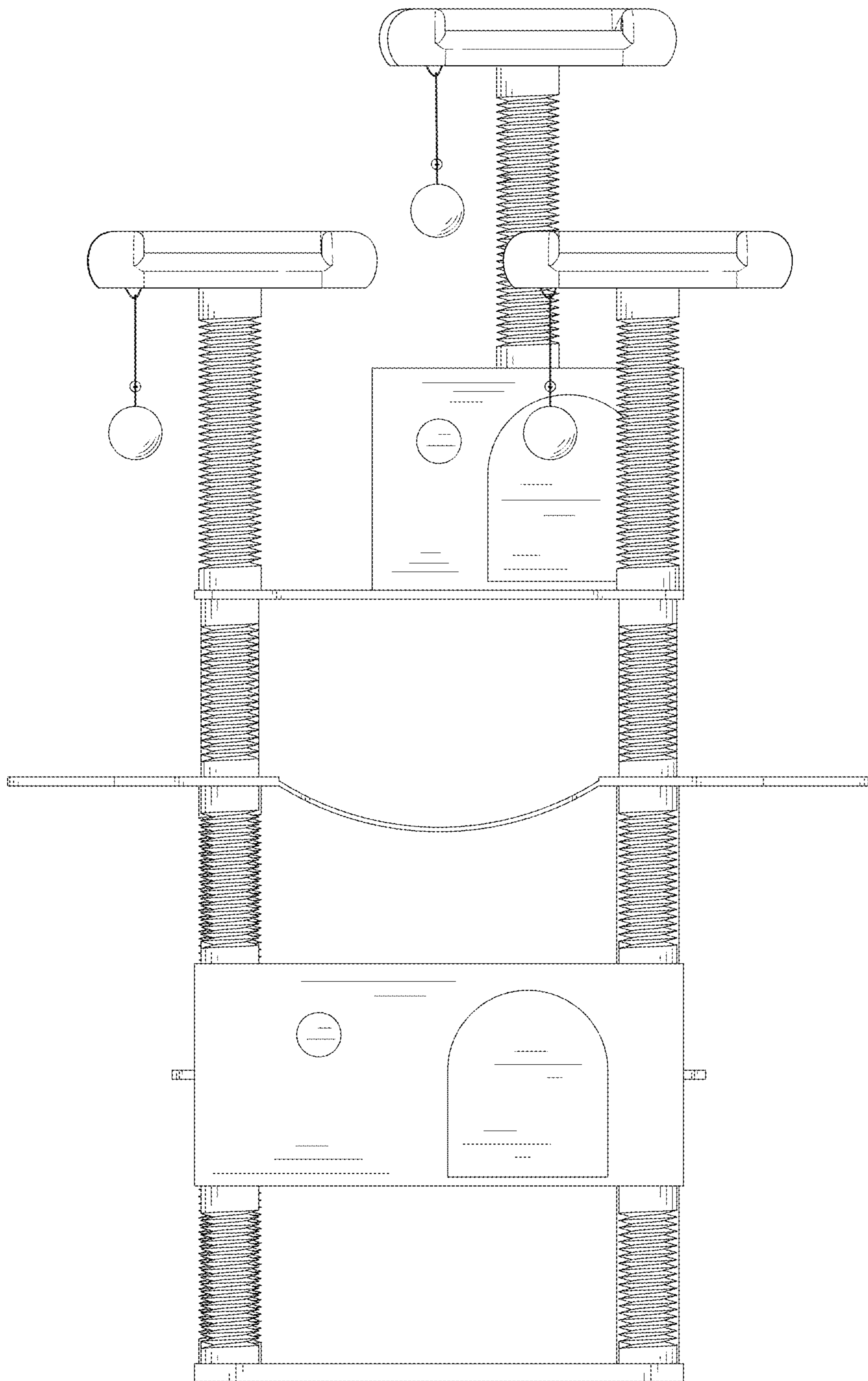


FIG. 1

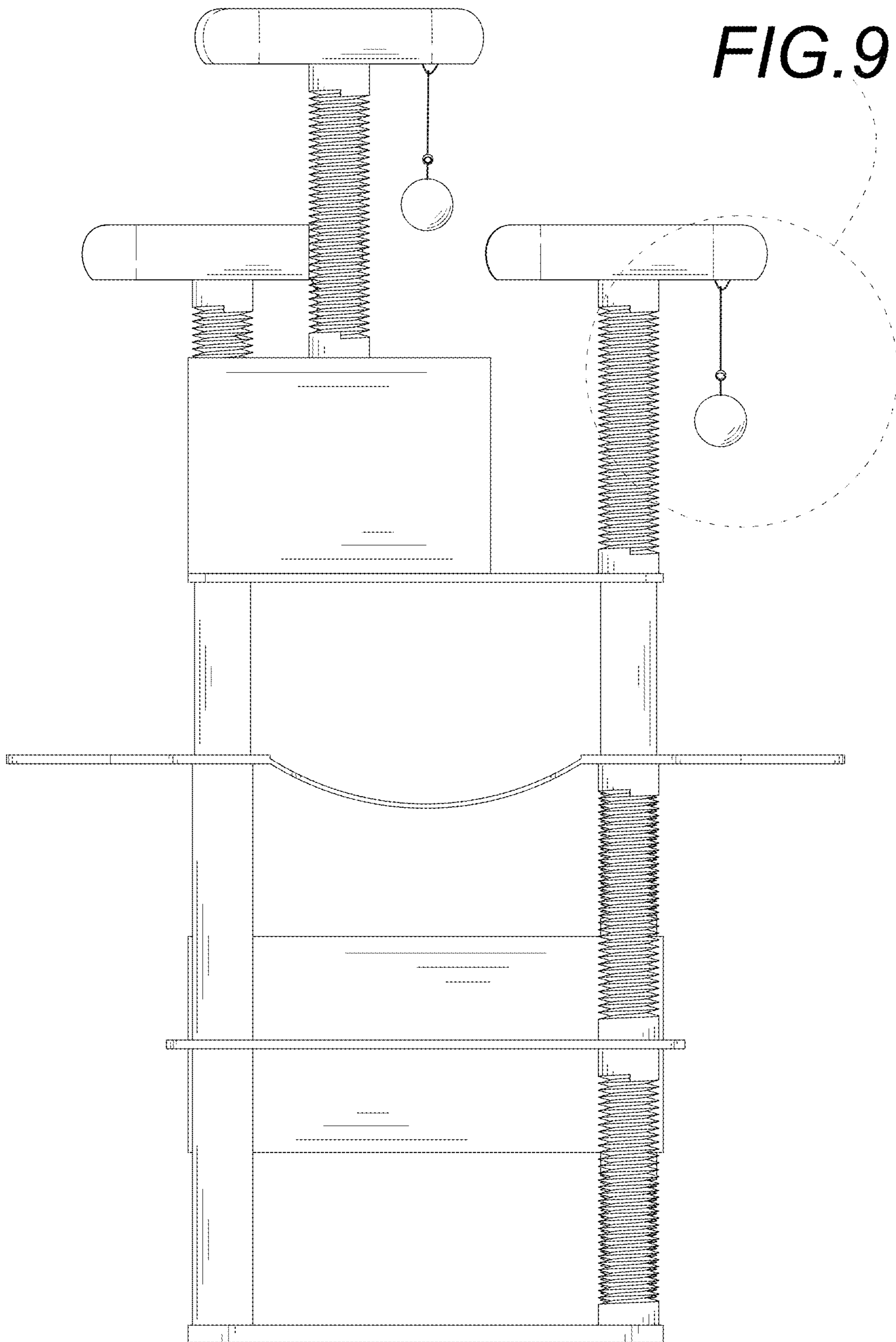


FIG. 2

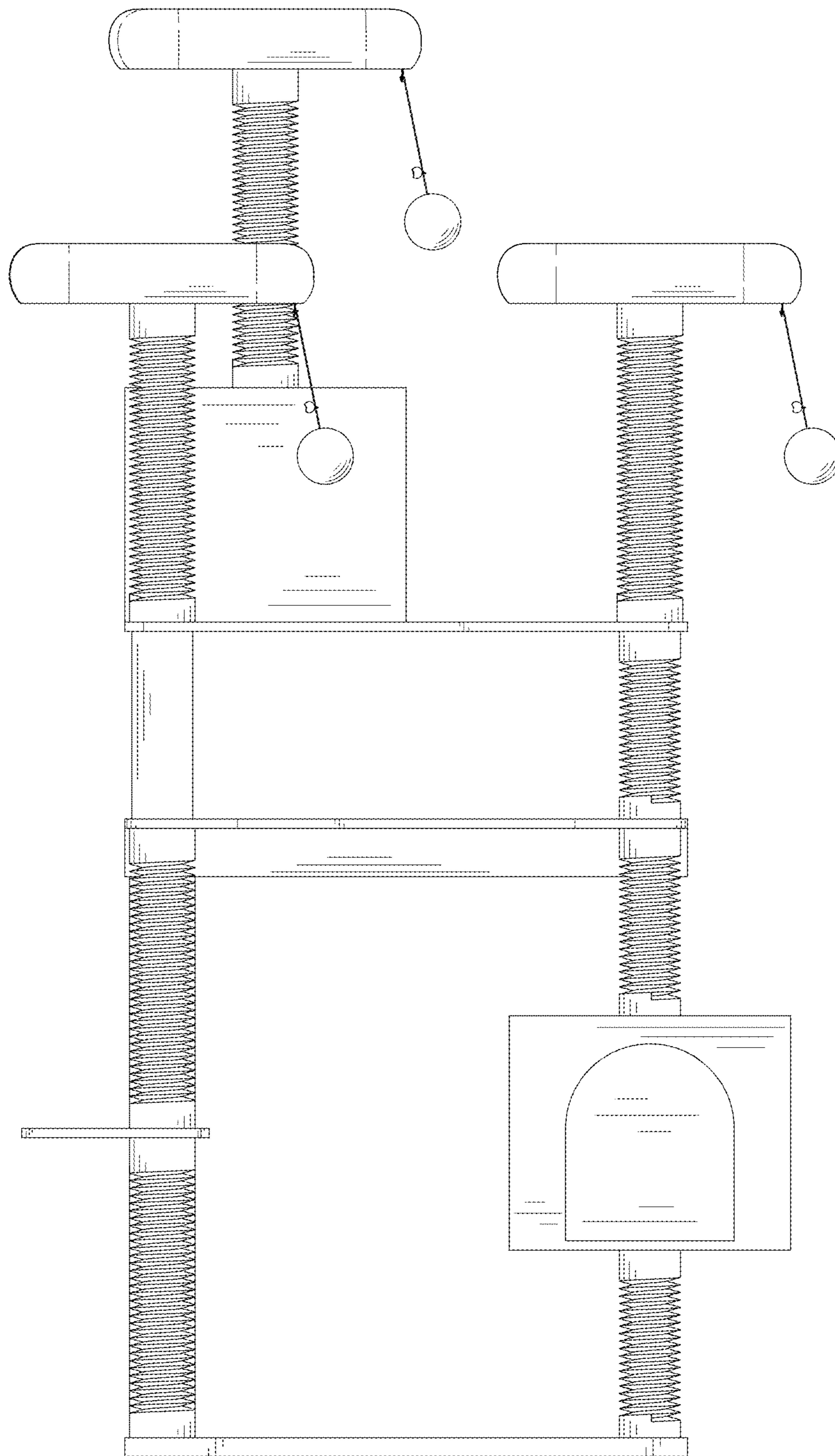


FIG. 3

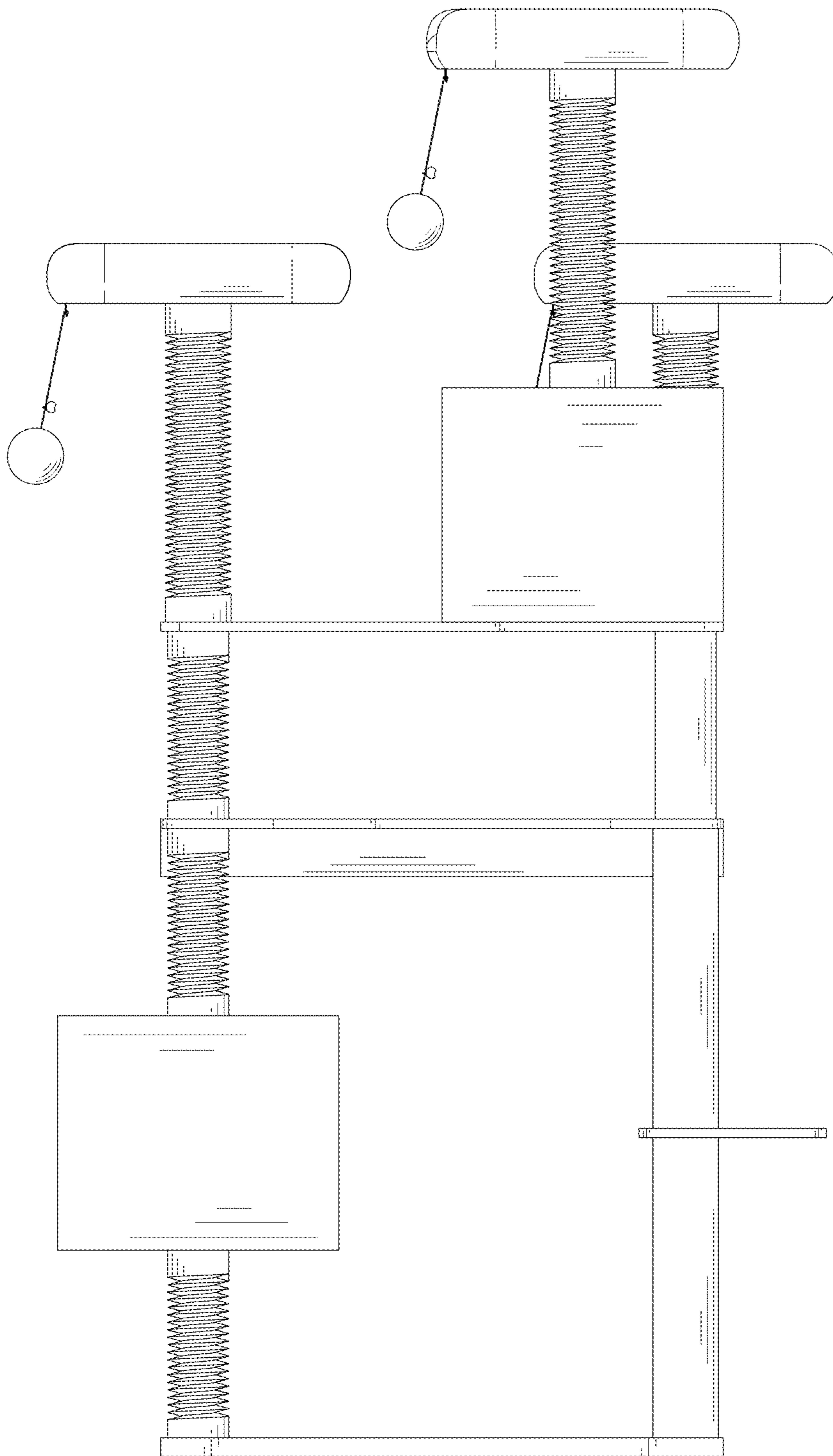


FIG. 4

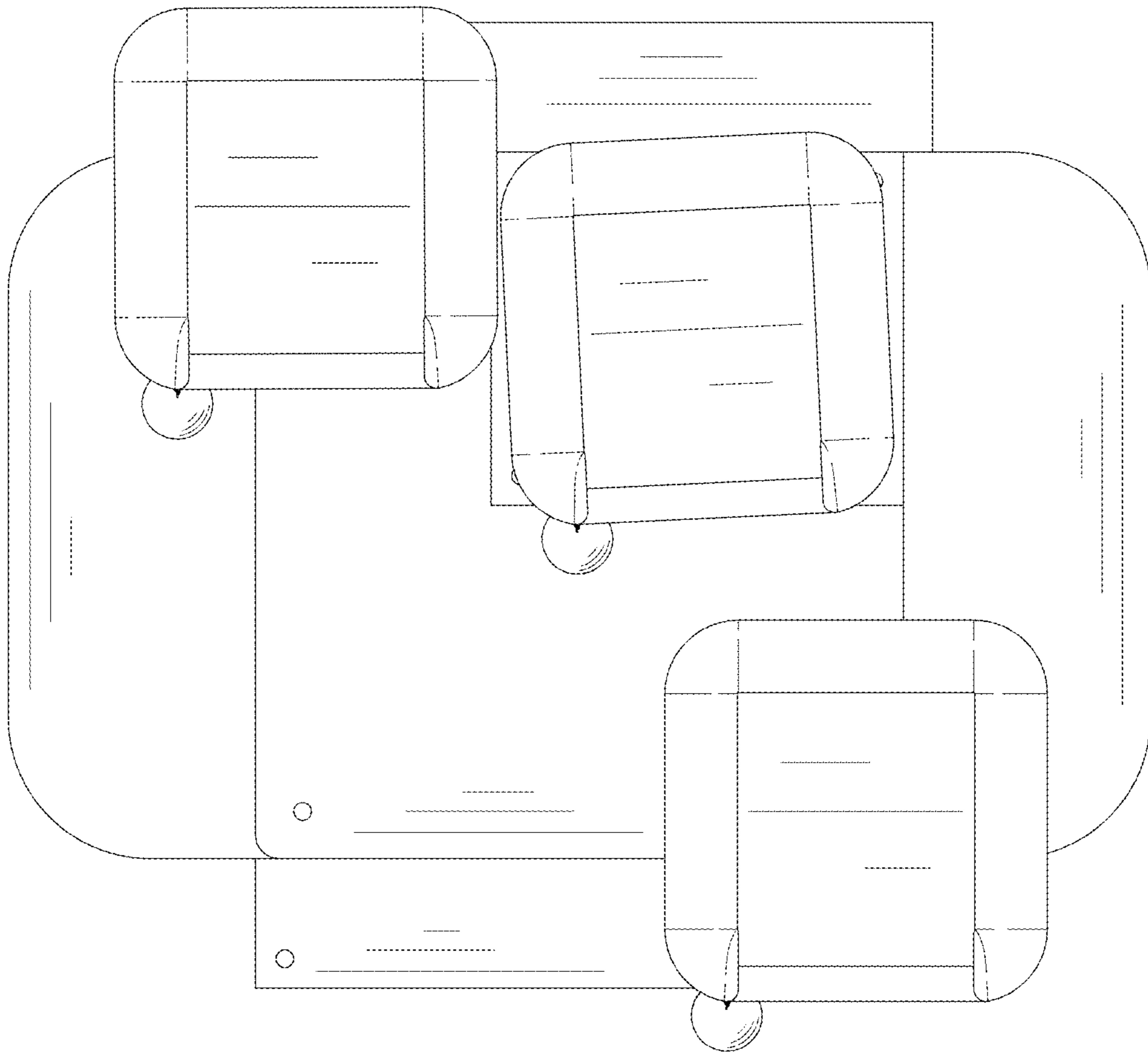


FIG. 5

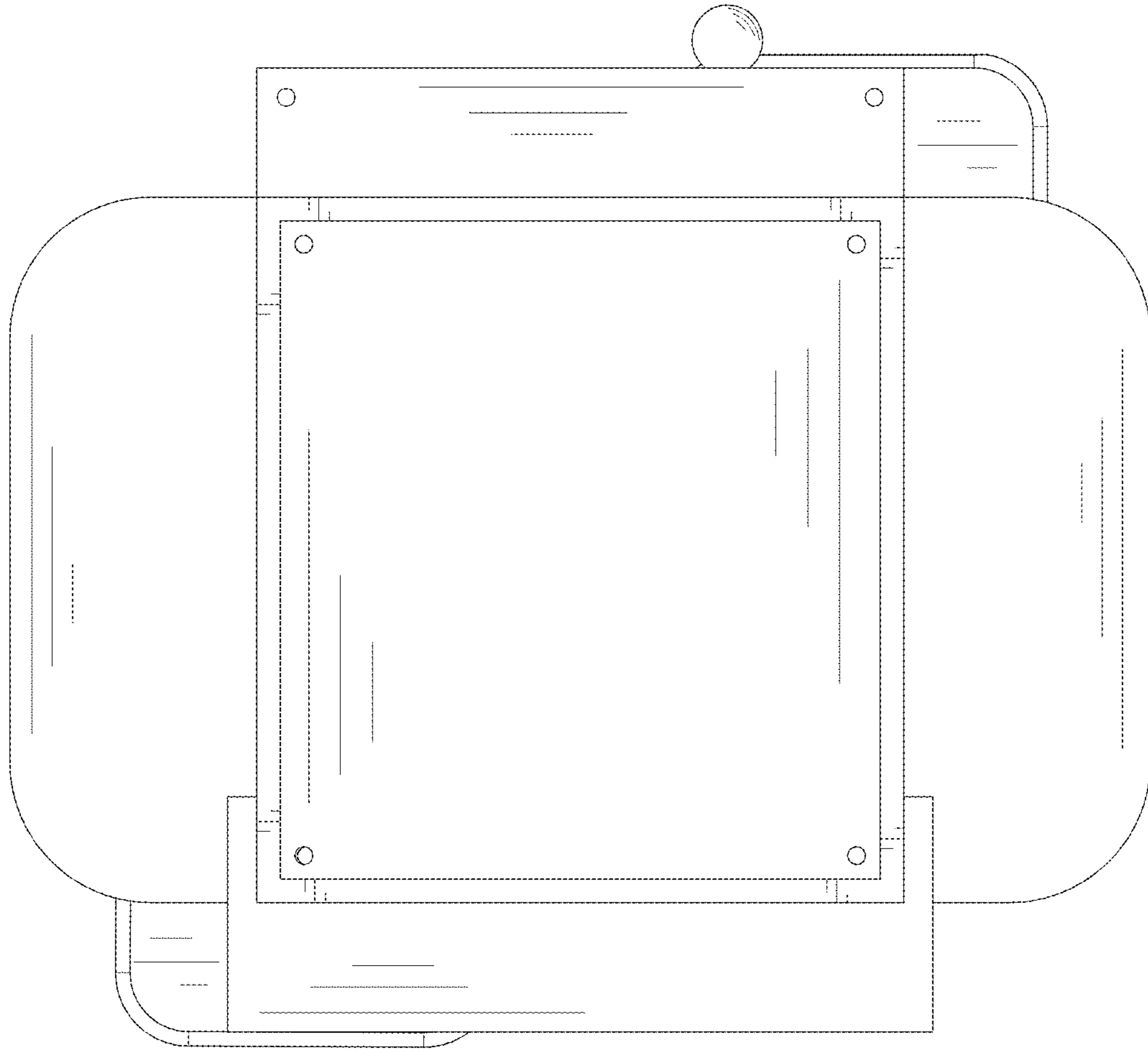


FIG. 6

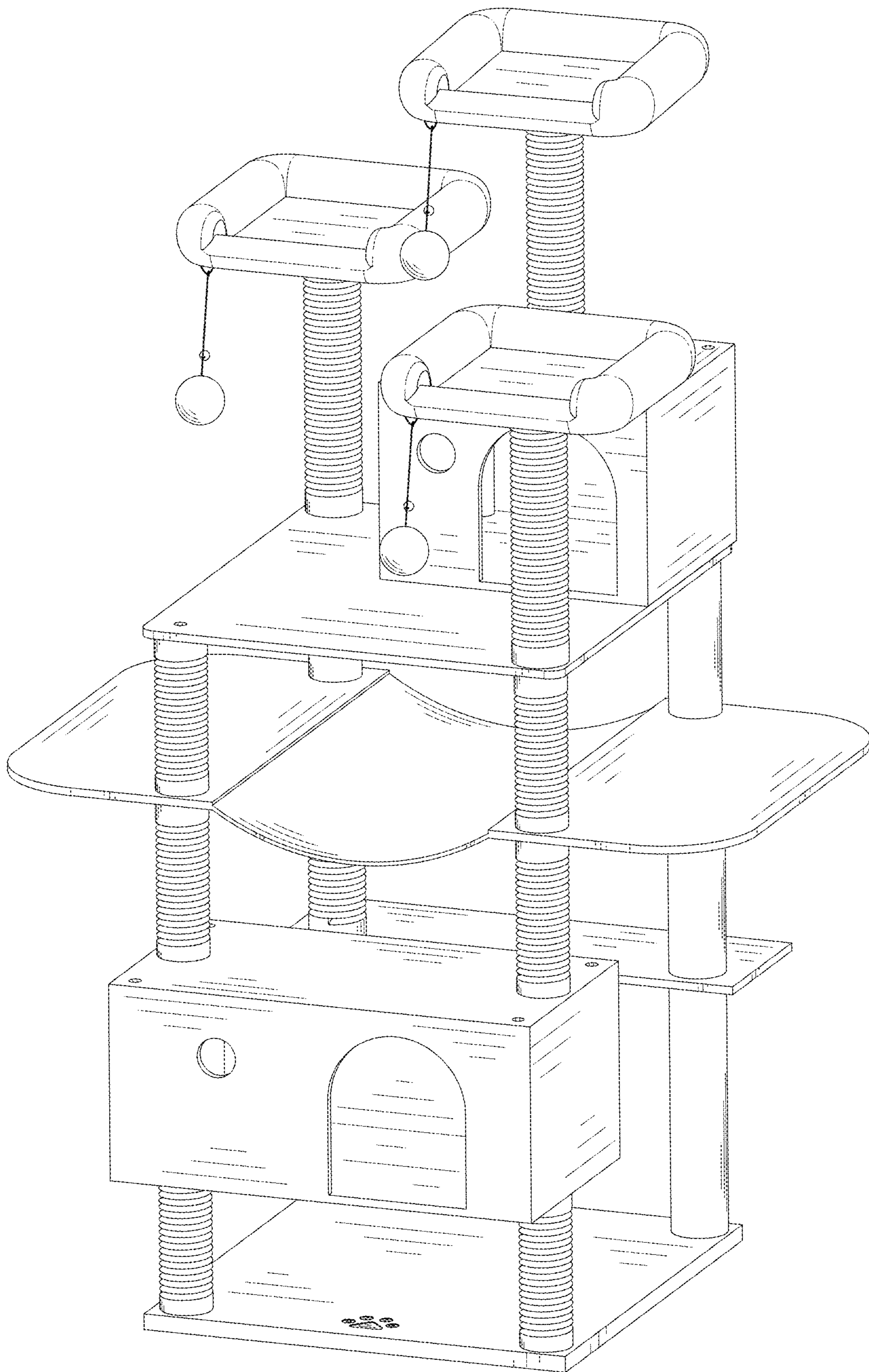


FIG. 7

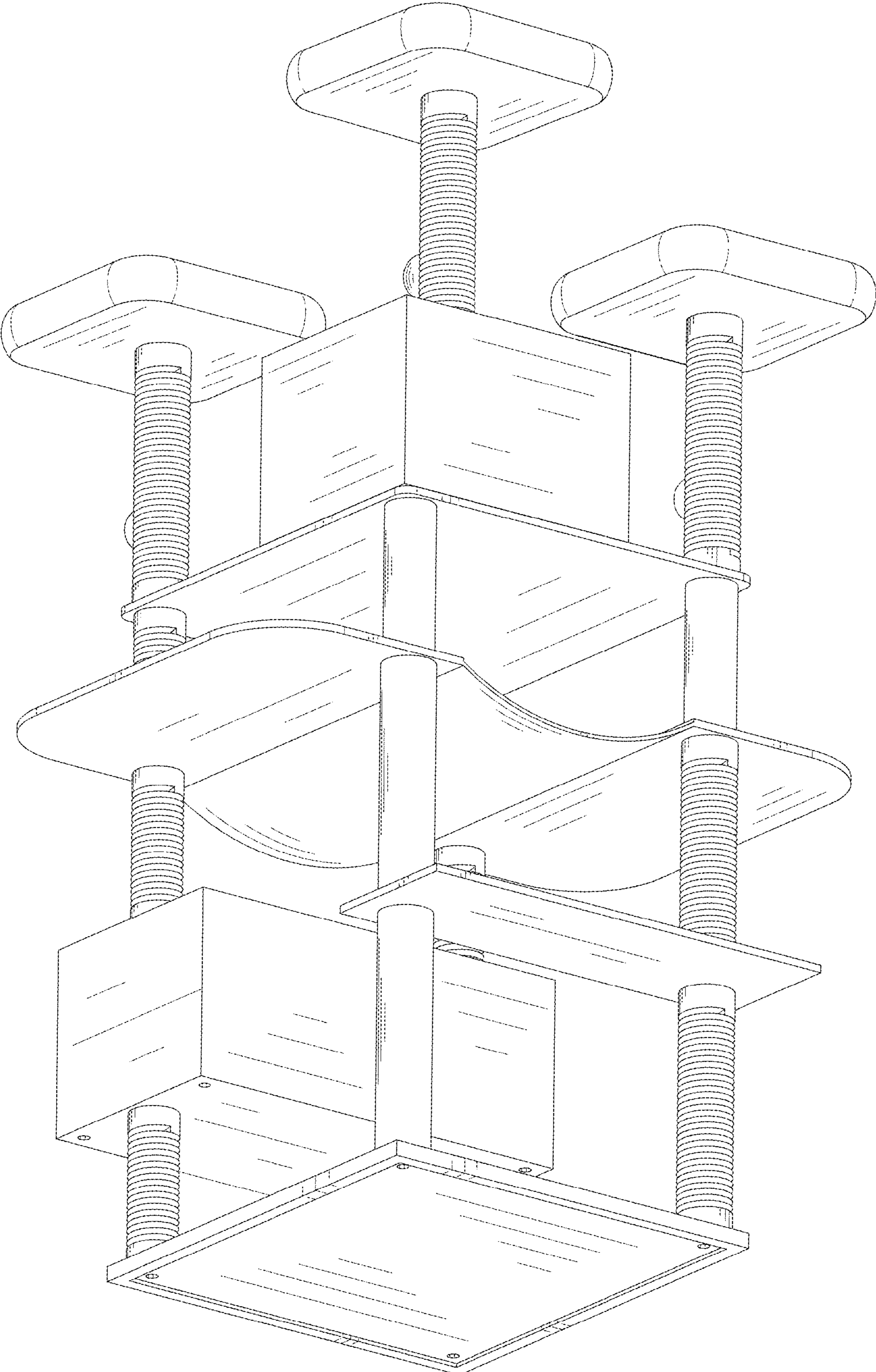


FIG. 8

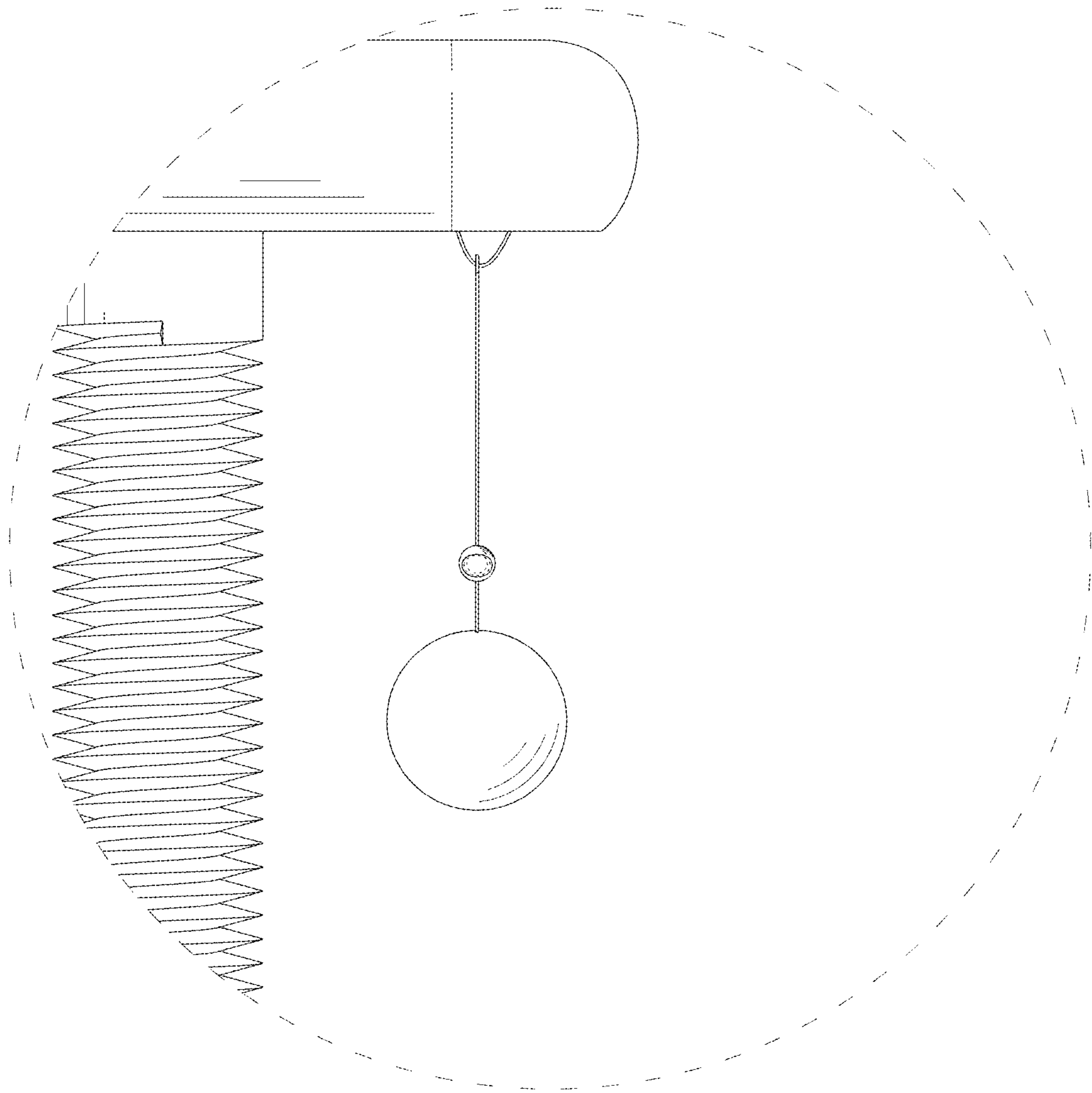


FIG. 9