

US00D942711S

(12) **United States Design Patent**
Zhang

(10) **Patent No.:** **US D942,711 S**
(45) **Date of Patent:** **** Feb. 1, 2022**

(54) **MASSAGER AND EPILATOR FOR PET**

(71) Applicant: **Shenzhen Simple-tech Environmental Technology Co., Ltd**, Shenzhen (CN)

(72) Inventor: **Gensheng Zhang**, Anhui (CN)

(**) Term: **15 Years**

(21) Appl. No.: **29/677,496**

(22) Filed: **Jan. 22, 2019**

(51) **LOC (13) Cl.** **30-99**

(52) **U.S. Cl.**
USPC **D30/159**; D30/158

(58) **Field of Classification Search**

USPC D30/158, 159, 199, 162, 106; 119/625, 119/633, 600, 617, 628, 632, 631, 613, 119/618, 619, 620, 611, 609; 132/126, 132/142, 219, 212, 149, 150, 159-161, 132/163; 30/114, 130, 301, 305, 315, 30/316, 299, 303, 306, 169, 322, 31, 30, 30/279.2, 280, 287, 294, 199, 329-344, 30/346.56, 346.61, 355, 357, 526-528; D7/672-676, 687, 686, 634, 619, 688, D7/653, 395; 425/298; 426/503; D4/136, 127, 124-126, 116-118, 199, D4/194; D32/42, 25, 46; 172/379, 380; D21/532, 398; 56/400.01, 400.1, 400.17, 56/400.21, 400.05, 400.04, 330; 15/402, 15/142, 236.07, 236.08, 236.05, 159.1, 15/160, 171, 176.1, 236.01, 236.02; 601/137, 136, 80, 93, 95, 97, 101, 103, 601/138, 143-147; D8/13, 6, 10, 11, 12, D8/1, 33, 40, 41, 80, 94, 97, 98, 105, D8/107, 300-303, 307, 321; 126/173, 126/214 C, 25 R; D28/46, 48
CPC A01K 13/00; A01K 13/002; B26B 19/24; B26B 19/063; B26B 19/00; B26B 19/02; B26B 19/04; B26B 19/06; B26B 19/10; B26B 19/20; B26B 19/22; B26B 19/28; B26B 19/38; B26B 19/382; B26B 19/3813; B26B 19/3846; B26B 21/16; B26B 21/18; B26B 21/521; B26B

21/4075; B26B 21/522; B26B 21/00; B26B 21/12; B26B 21/125; B26B 21/4006; B26B 21/52; B26B 21/56; B26B 21/565; B26B 21/525; B26B 21/528; B26B 15/00; B26B 13/22; B26B 13/24; B26B 13/26; A45D 24/30; A45D 24/00; A45D 24/04; A45D 24/10; A45D 24/36; A45D 24/02; A45D 24/40; A45D 24/42; A45D 24/44; A45D 2024/345; A45D 24/06; A46B 5/02; A46B 5/021; A46B 5/026; A46B 5/028; A46B 2200/1093;
(Continued)

(56) **References Cited**

U.S. PATENT DOCUMENTS

9,301,500 B1 * 4/2016 Murphy A01K 13/002
9,814,214 B1 * 11/2017 Murphy A01K 13/002
(Continued)

Primary Examiner — Susan Moon Lee

(74) *Attorney, Agent, or Firm* — Prakash Nama; Global IP Services, PLLC

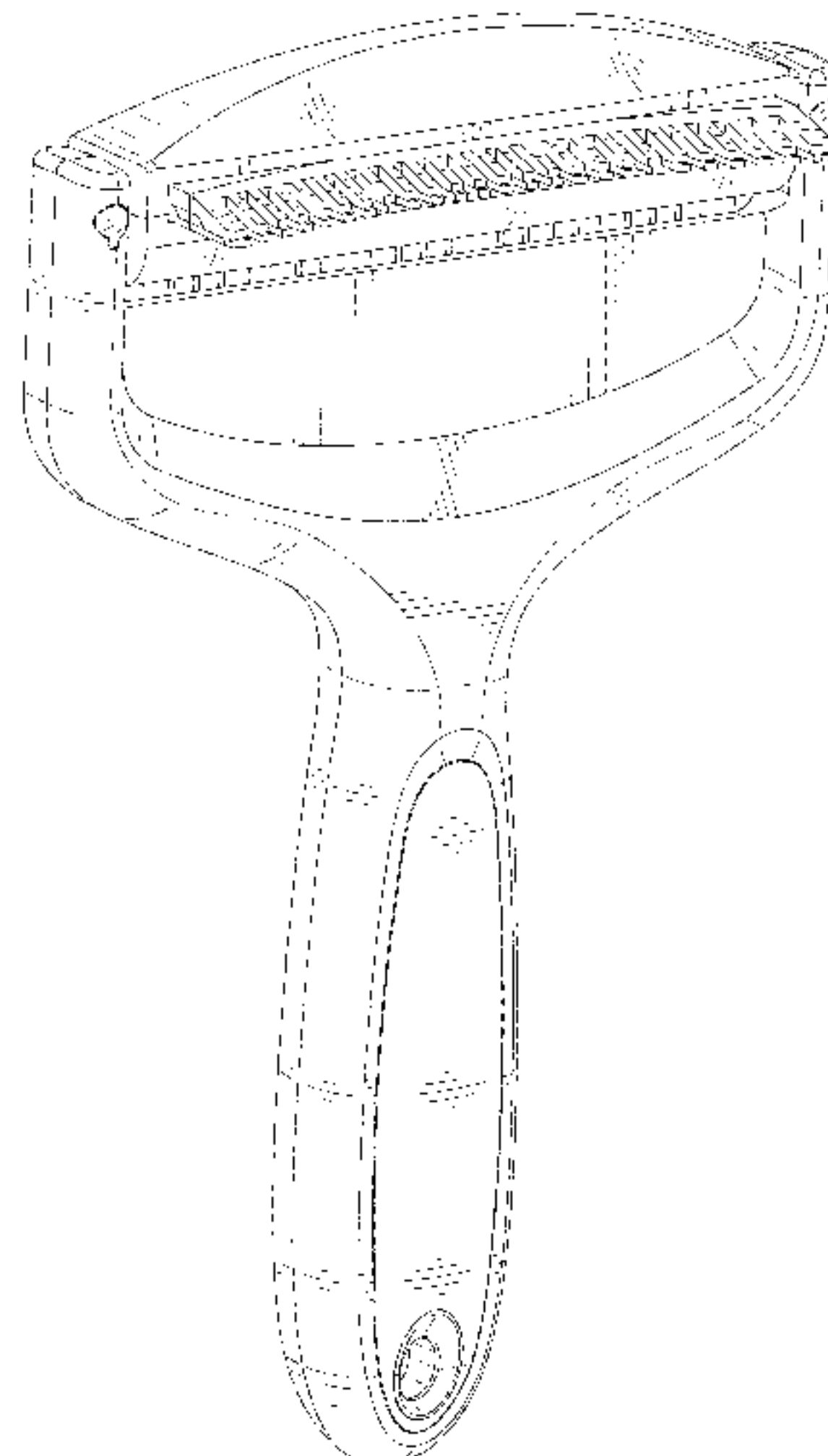
(57) **CLAIM**

The ornamental design for a massager and epilator for pet, as shown and described.

DESCRIPTION

FIG. 1 is a perspective view of a massager and epilator for pet showing my new design;
FIG. 2 is another perspective view thereof;
FIG. 3 is a front elevational view thereof;
FIG. 4 is a rear elevational view thereof;
FIG. 5 is a left side view thereof;
FIG. 6 is a right side view thereof;
FIG. 7 is a top plan view thereof; and,
FIG. 8 is a bottom plan view thereof.
The broken lines shown in massager and epilator for pet form no part of the claimed design.

1 Claim, 8 Drawing Sheets



(58) **Field of Classification Search**

CPC . A46B 2200/10; A46B 9/02; A46B 7/04-044;
B25G 1/01; B25G 1/10; B25G 1/102;
B25G 3/00; B25G 3/04; B25G 3/08;
Y10T 16/476; Y10T 16/48

See application file for complete search history.

(56) **References Cited**

U.S. PATENT DOCUMENTS

D891,710 S *	7/2020	Zhang	D30/158
2004/0194728 A1 *	10/2004	Dunn	A01K 13/002
			119/625
2017/0215379 A1 *	8/2017	Hadden	B25G 3/04
2020/0215682 A1 *	7/2020	Cafasso	A47L 7/0066

* cited by examiner

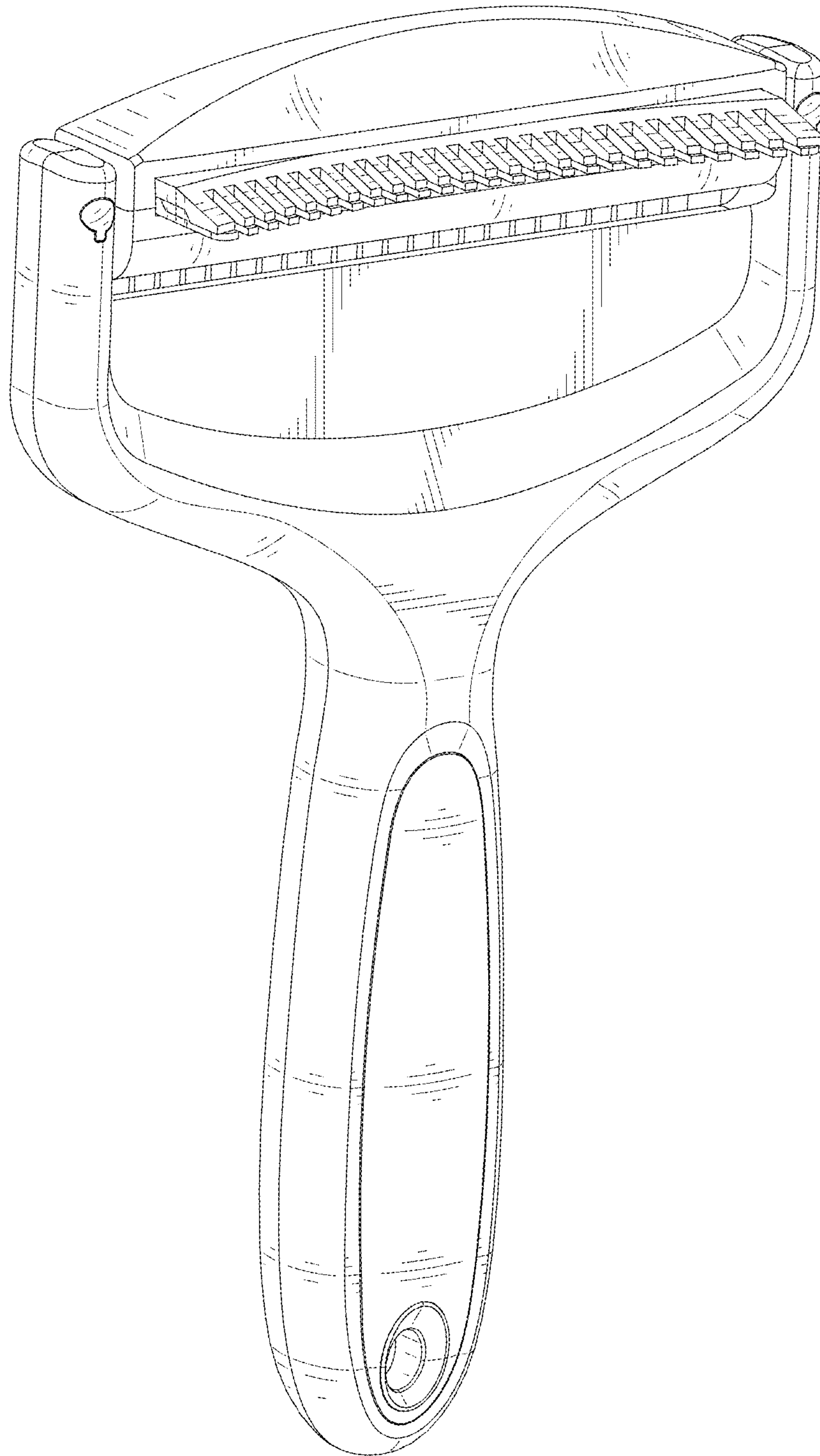


FIG.1

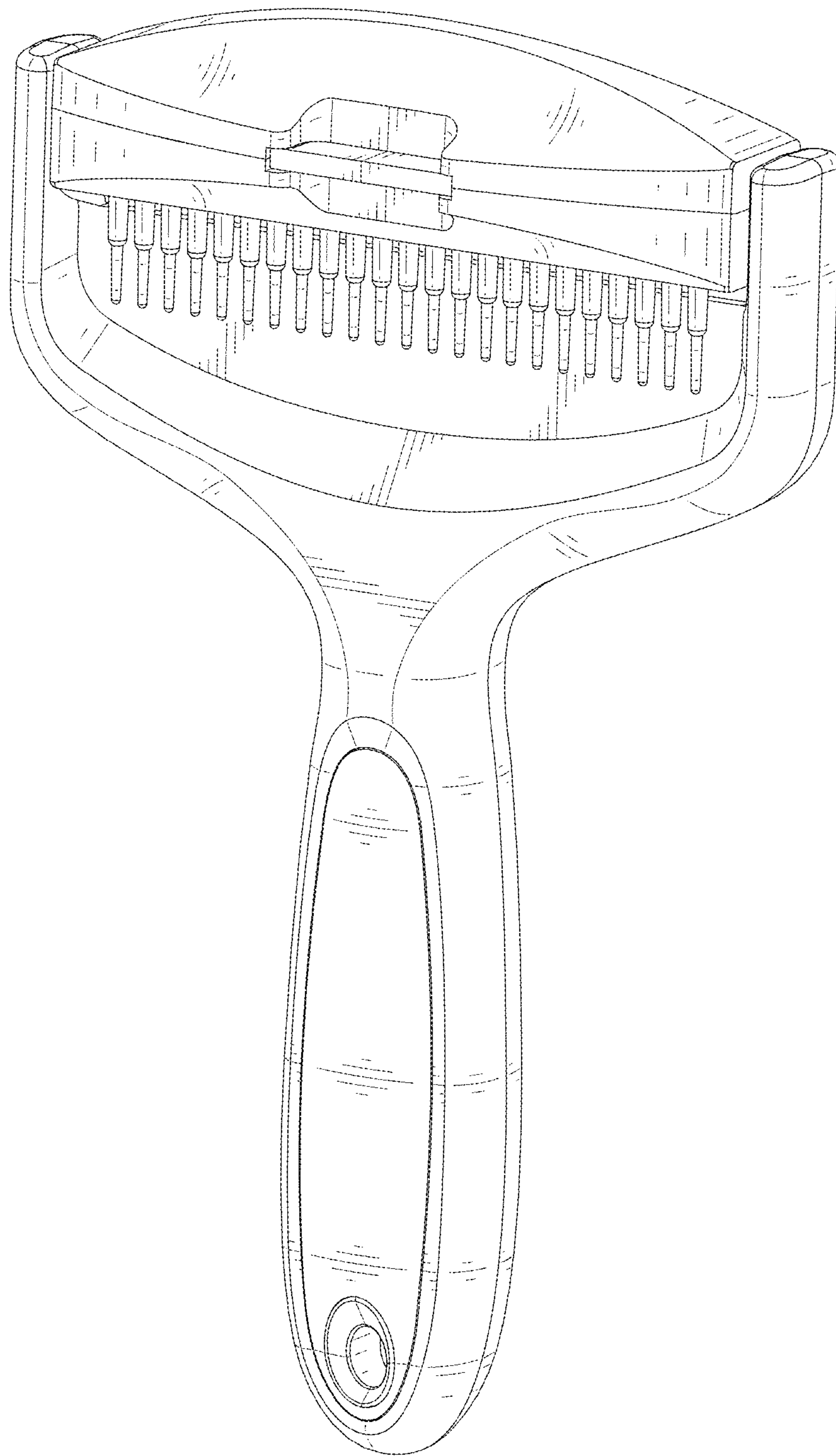


FIG.2

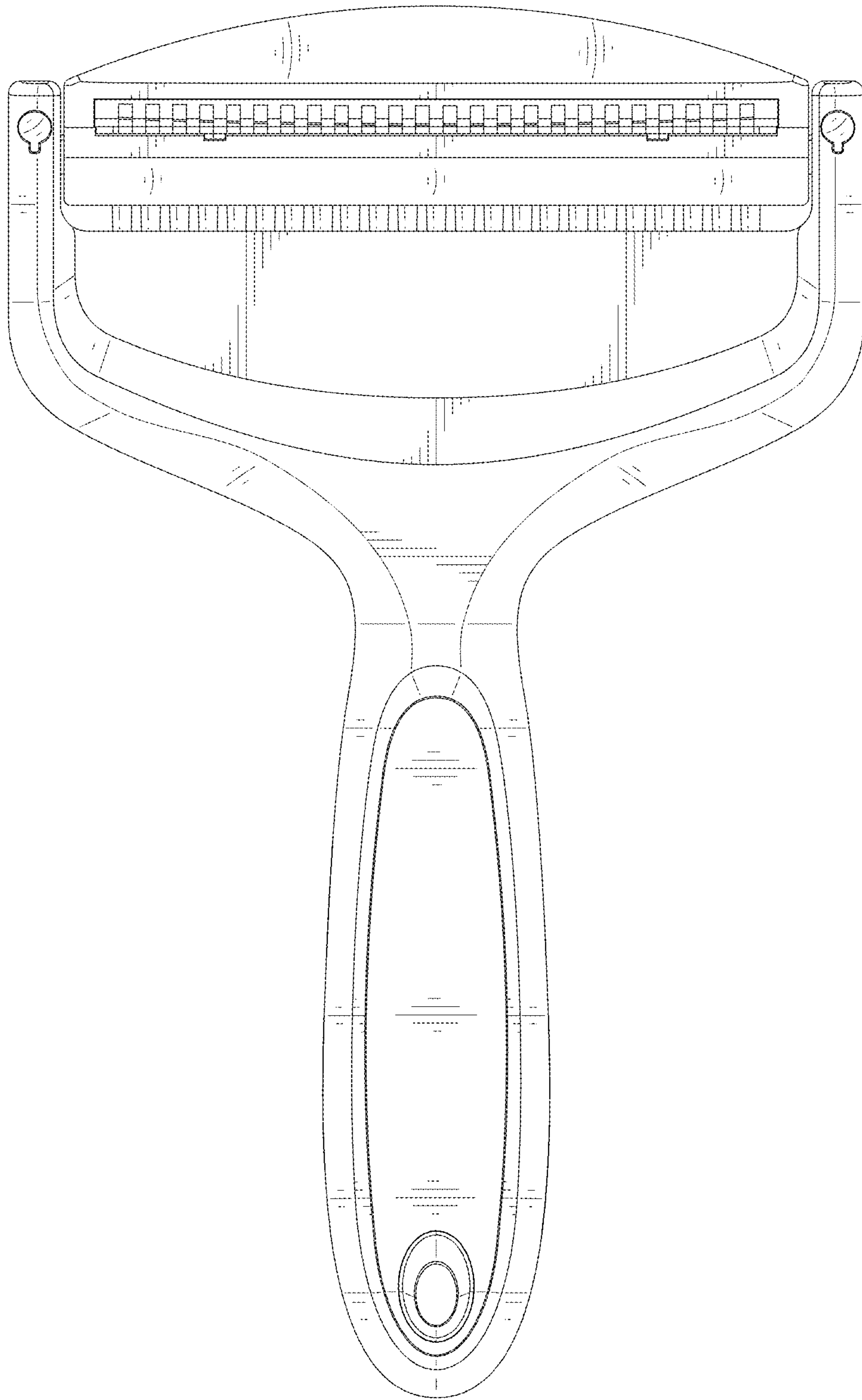


FIG.3

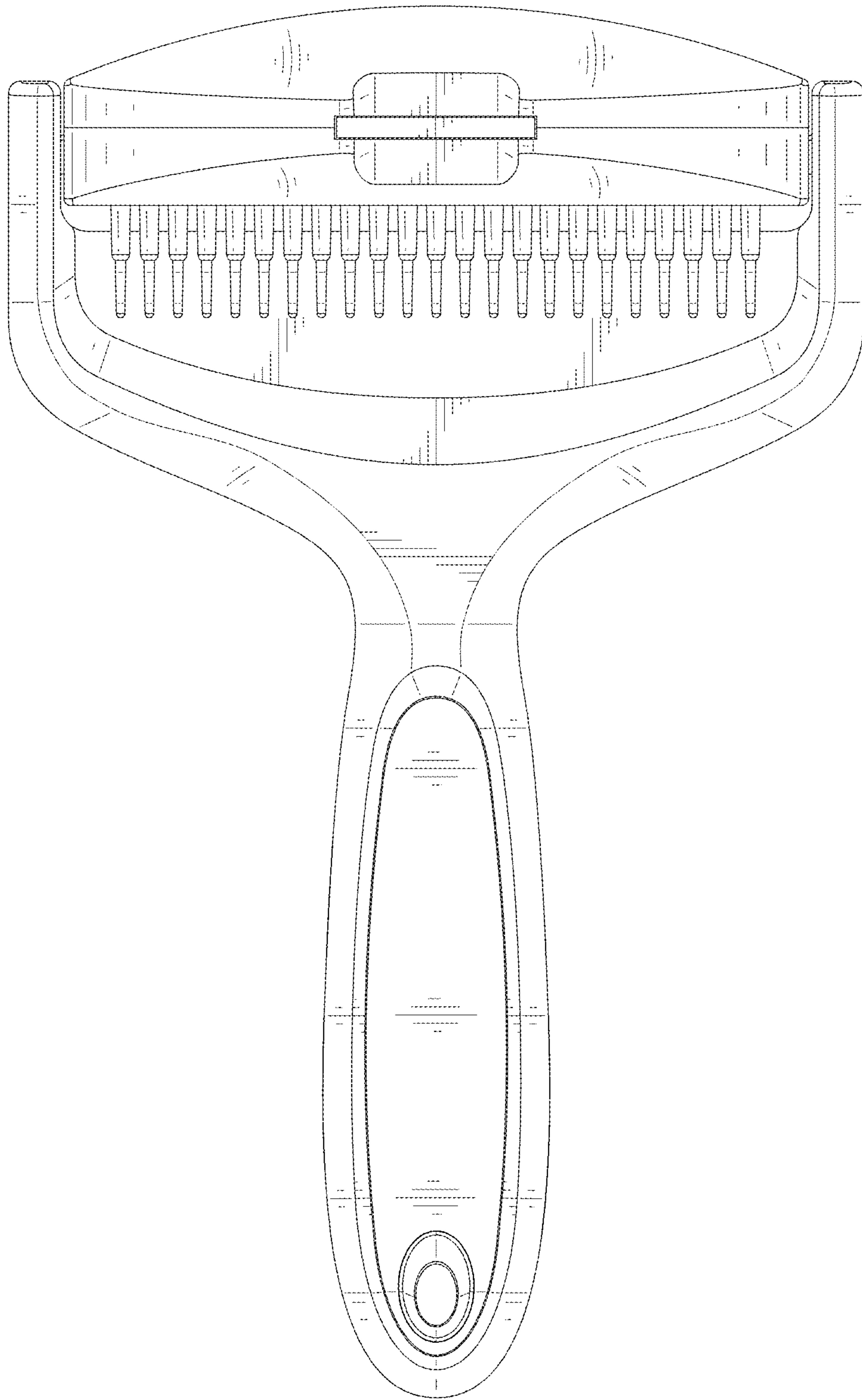


FIG.4

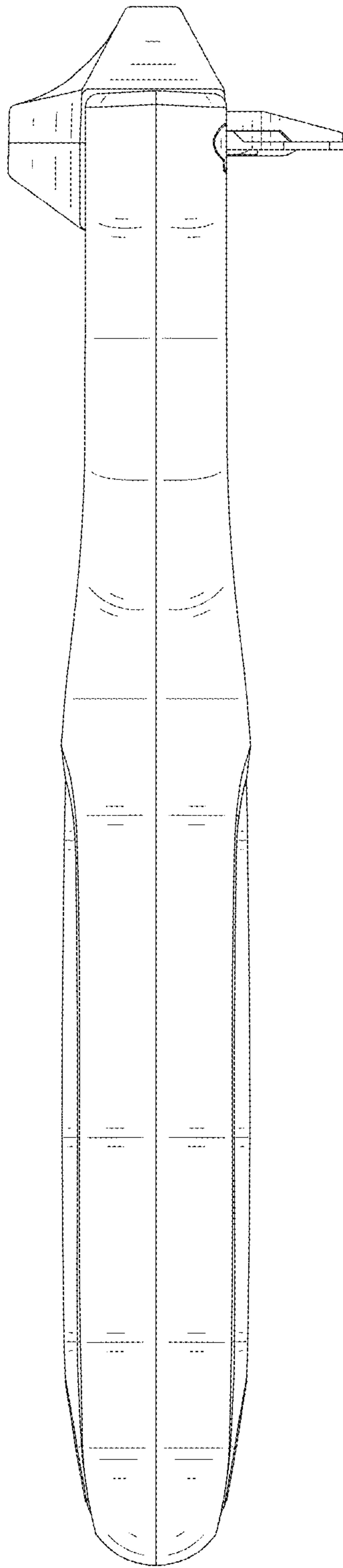


FIG.5

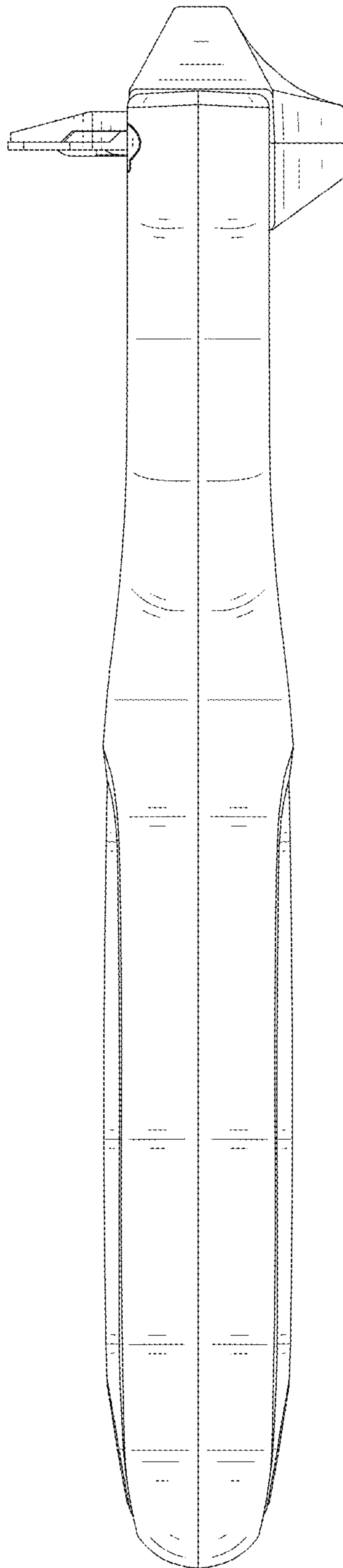


FIG.6

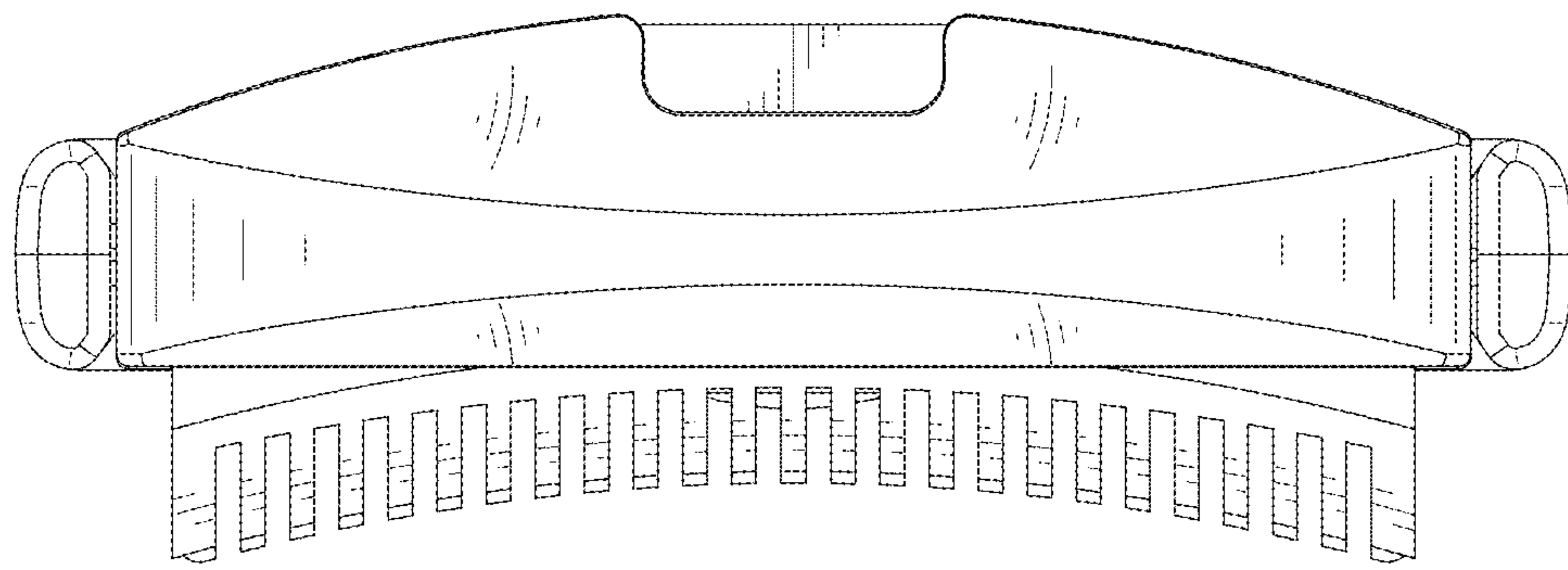


FIG.7

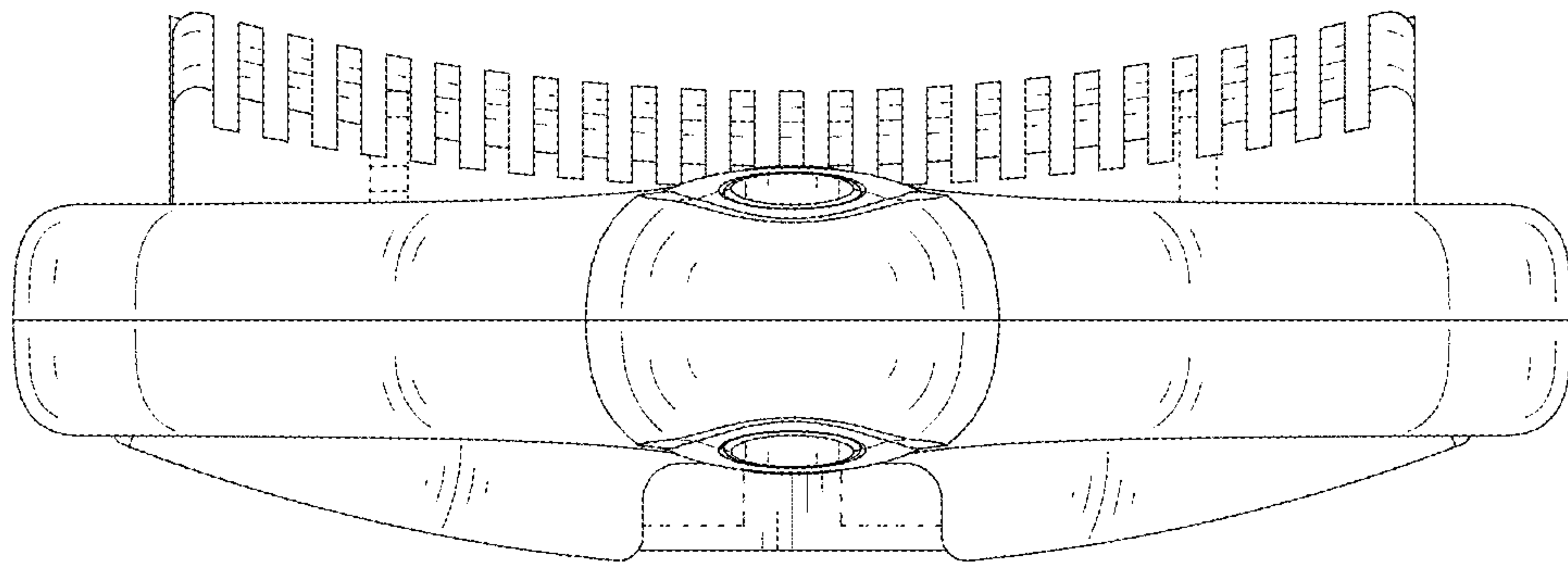


FIG.8