



US00D942710S

(12) **United States Design Patent**
Overland

(10) **Patent No.:** **US D942,710 S**
(45) **Date of Patent:** **** Feb. 1, 2022**

- (54) **WALK-IN PET BATH**
- (71) Applicant: **Maria Irene Overland**, Austin, TX
(US)
- (72) Inventor: **Maria Irene Overland**, Austin, TX
(US)
- (**) Term: **15 Years**
- (21) Appl. No.: **29/798,897**
- (22) Filed: **Jul. 12, 2021**
- (51) **LOC (13) Cl.** **30-99**
- (52) **U.S. Cl.**
USPC **D30/158**; D30/199
- (58) **Field of Classification Search**
USPC D30/158, 199, 151, 118, 120, 108, 109;
43/1, 2; 135/901; 280/47.3, 30, 47.18,
280/7.12, 8, 47.29, 652, 40, 47.24, 655,
280/653, 9.4, 47.315, 640, 43.1, 47.25;
D22/199; 297/129, 16.2; D34/24, 16,
D34/12, 14, 23, 17; 5/626, 627, 600,
5/93.1, 97; 452/194, 185; 119/671, 676,
119/675, 673, 677, 603, 606, 665;
D23/277-279, 280.2, 280.4; 4/572.1,
4/546, 554, 641, 555, 573.1, 567, 539,
4/556, 557, 540, 553; 239/307; D3/304,
D3/305, 201; D6/675, 627, 672, 705;
D19/86, 90; 220/1.5; D21/425, 426
CPC A01K 13/001; A01K 13/003; A61D 11/00;
A61D 7/00
See application file for complete search history.

- 3,060,892 A * 10/1962 Schantz A01K 13/001
119/671
- 3,220,773 A * 11/1965 Burns A63H 33/105
297/440.1
- 3,567,068 A * 3/1971 Carfizzi B65D 19/40
220/630
- D221,633 S * 8/1971 Kotkowski D34/23
- 4,083,328 A 4/1978 Baker
- 4,527,511 A * 7/1985 Richards A01K 13/001
119/161
- D282,498 S * 2/1986 Hasse D23/277
- D284,416 S * 6/1986 Smith D34/23
- 4,856,810 A * 8/1989 Smith B62B 3/02
280/639
- 4,878,682 A * 11/1989 Lee B62B 3/025
280/42
- 5,193,487 A 3/1993 Vogel
(Continued)

Primary Examiner — Susan Moon Lee
(74) *Attorney, Agent, or Firm* — Suzanne Kikel, Patent Agent

(57) **CLAIM**

The ornamental design for a walk-in pet bath, as shown and described.

DESCRIPTION

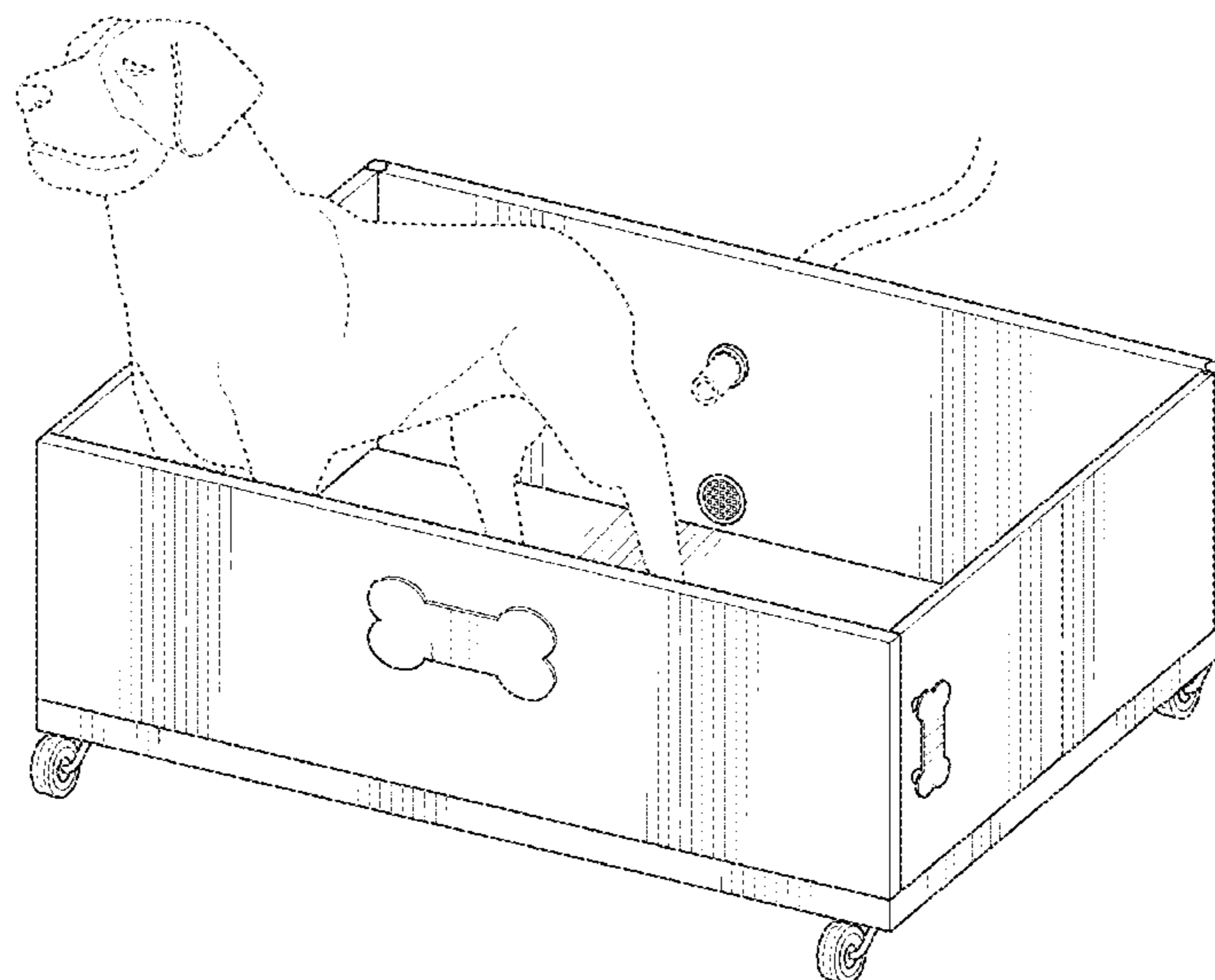
FIG. 1 is a front perspective view of a walk-in pet bath, showing my new design;
FIG. 2 is a front elevation view thereof;
FIG. 3 is a rear elevation view thereof;
FIG. 4 is a right side elevation view thereof;
FIG. 5 is a left side elevation view thereof;
FIG. 6 is a top plan view thereof;
FIG. 7 is a bottom plan view thereof; and,
FIG. 8 is a front perspective view similar to FIG. 1 showing the walk-in pet bath in operation with a dog and a hose connection for supplying water to bathe the dog.
The broken lines showing in FIG. 8 are for purposes of illustrating environmental subject matter and form no part of the claimed design.

1 Claim, 5 Drawing Sheets

(56) **References Cited**

U.S. PATENT DOCUMENTS

- 1,879,915 A * 9/1932 Smoot A01K 13/001
119/665
- 3,044,096 A * 7/1962 Englehart A47L 13/56
15/257.05



(56)

References Cited

U.S. PATENT DOCUMENTS

5,711,252 A * 1/1998 Brandolino A01K 13/001
119/498
D423,171 S * 4/2000 Alcalá D34/19
6,536,796 B1 * 3/2003 Solomon B62B 3/02
280/47.34
D501,591 S * 2/2005 Lucht D34/12
D536,499 S * 2/2007 Lucht D34/12
D558,930 S * 1/2008 Thomas D30/118
7,562,897 B1 * 7/2009 Sherman B62B 3/025
211/186
7,913,652 B1 * 3/2011 Lutz A01K 13/001
119/674
8,556,740 B1 * 10/2013 Schneider A63H 33/32
472/126
D712,477 S * 9/2014 Stravitz D19/90
D755,462 S * 5/2016 Howard D34/17
D804,747 S * 12/2017 Wright D30/199
D818,205 S * 5/2018 Curiel D30/118
D903,958 S * 12/2020 Etherton A01K 7/005
D30/199
D903,965 S * 12/2020 Bentley D34/12
D925,842 S * 7/2021 Jeon D30/158
2011/0025005 A1 * 2/2011 Howell B62B 3/022
280/47.24
2011/0297103 A1 * 12/2011 Iou A01K 13/001
119/676
2020/0068849 A1 3/2020 Caldwell

* cited by examiner

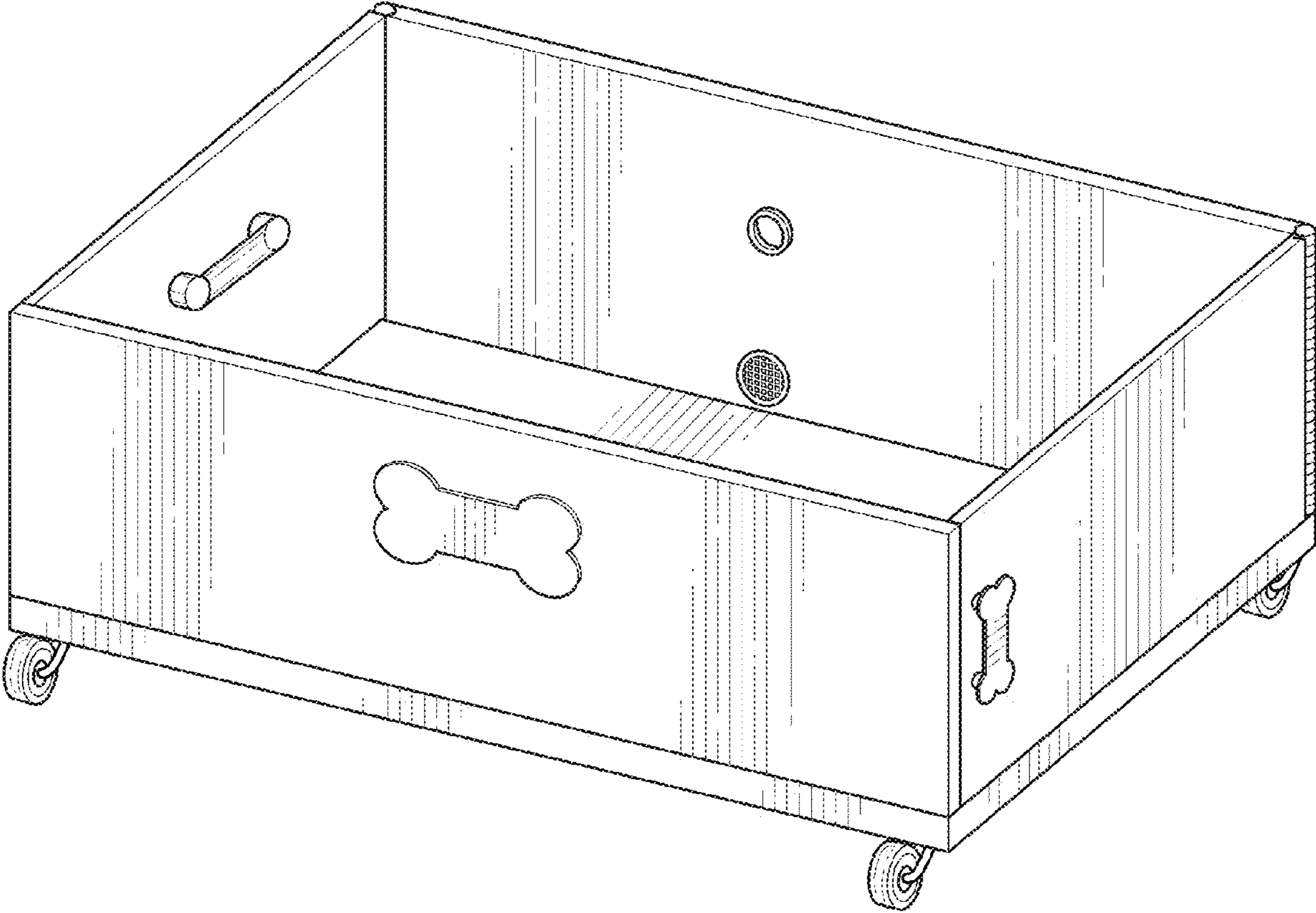


FIG. 1

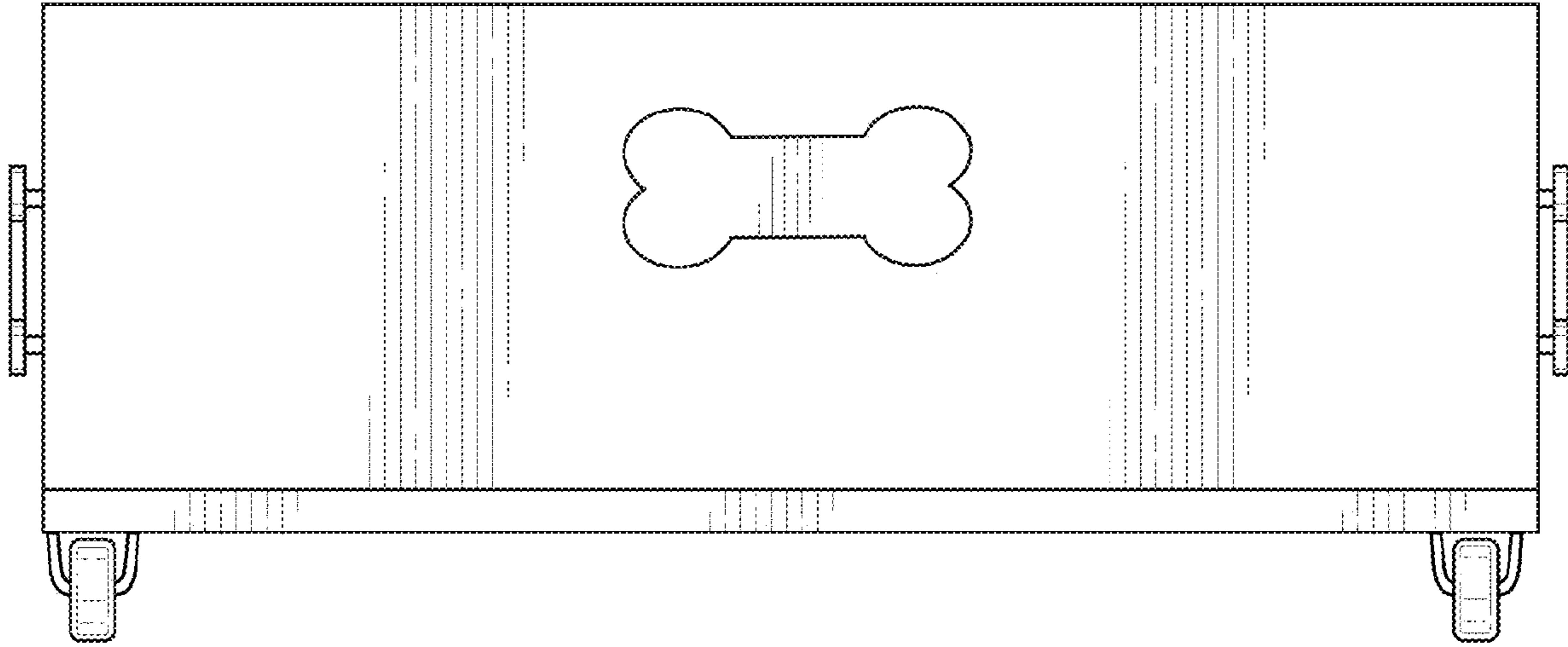


FIG. 2

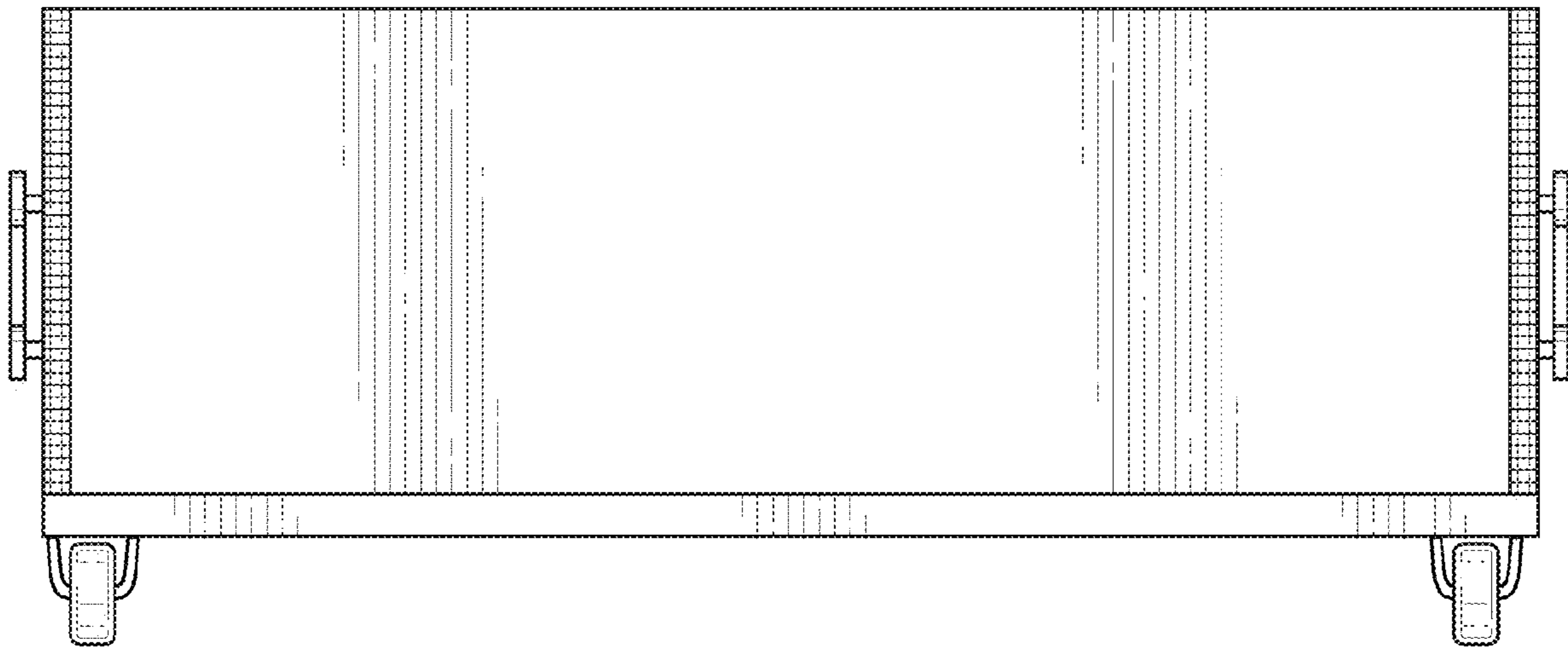


FIG. 3

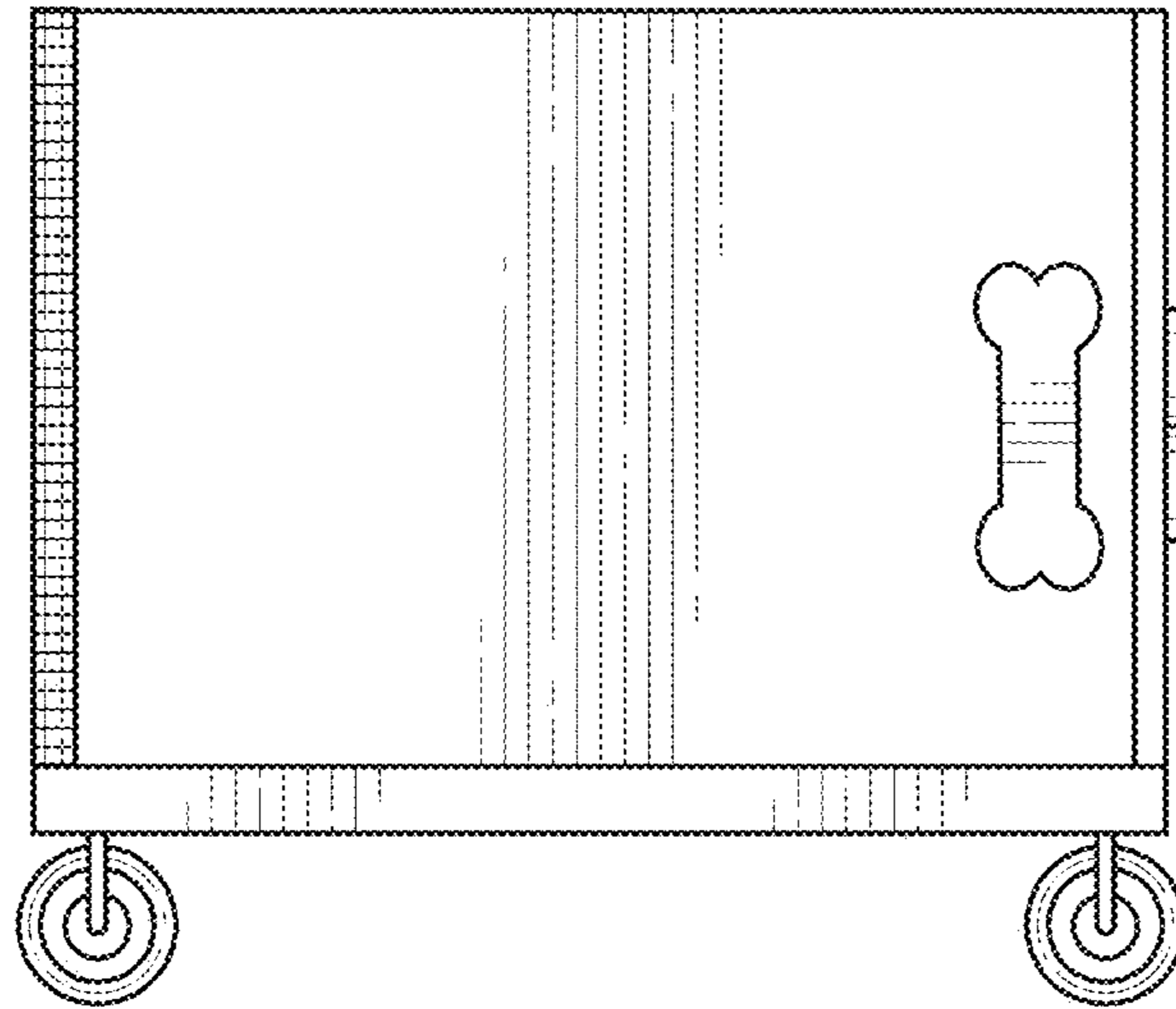


FIG. 4

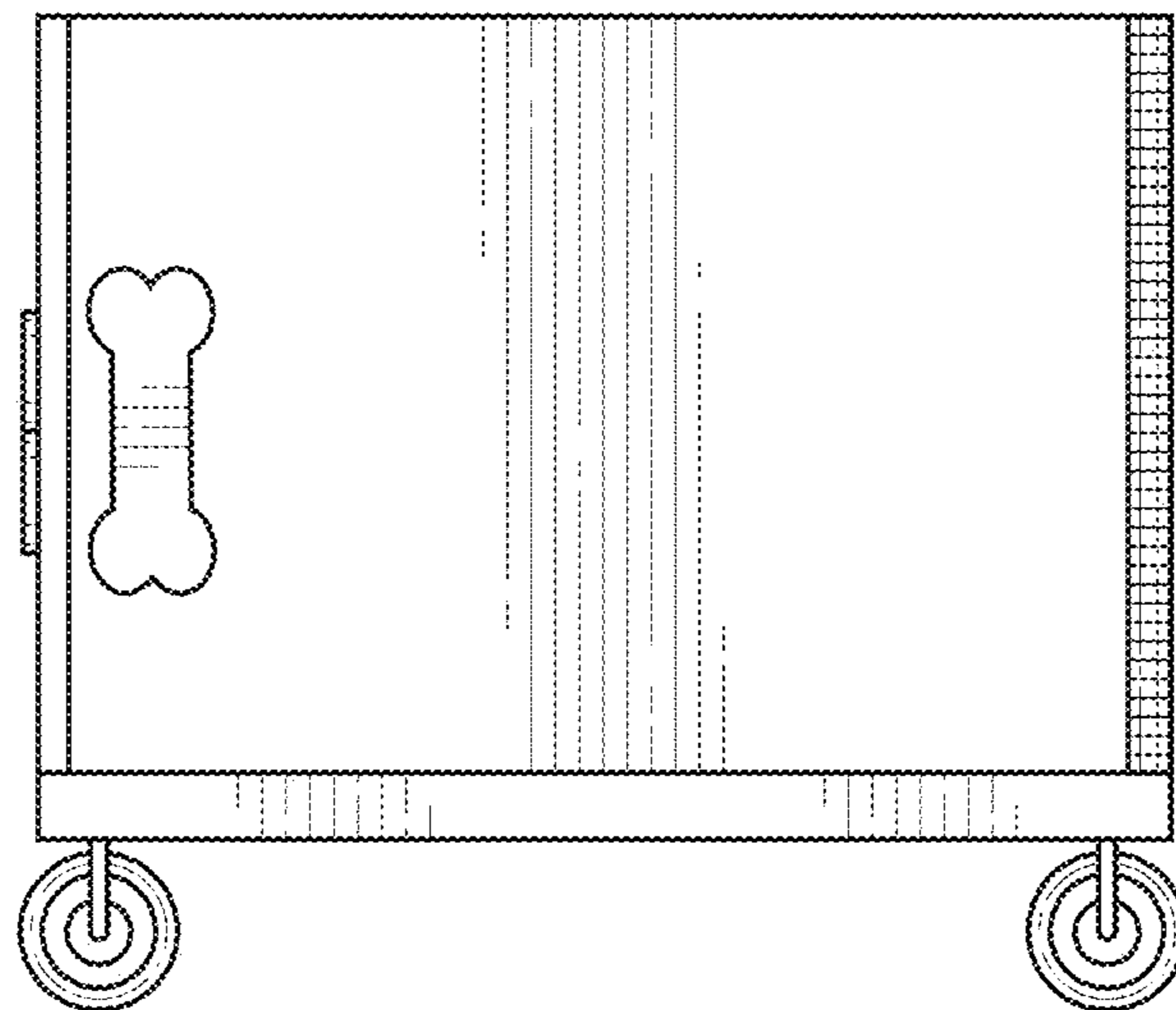


FIG. 5

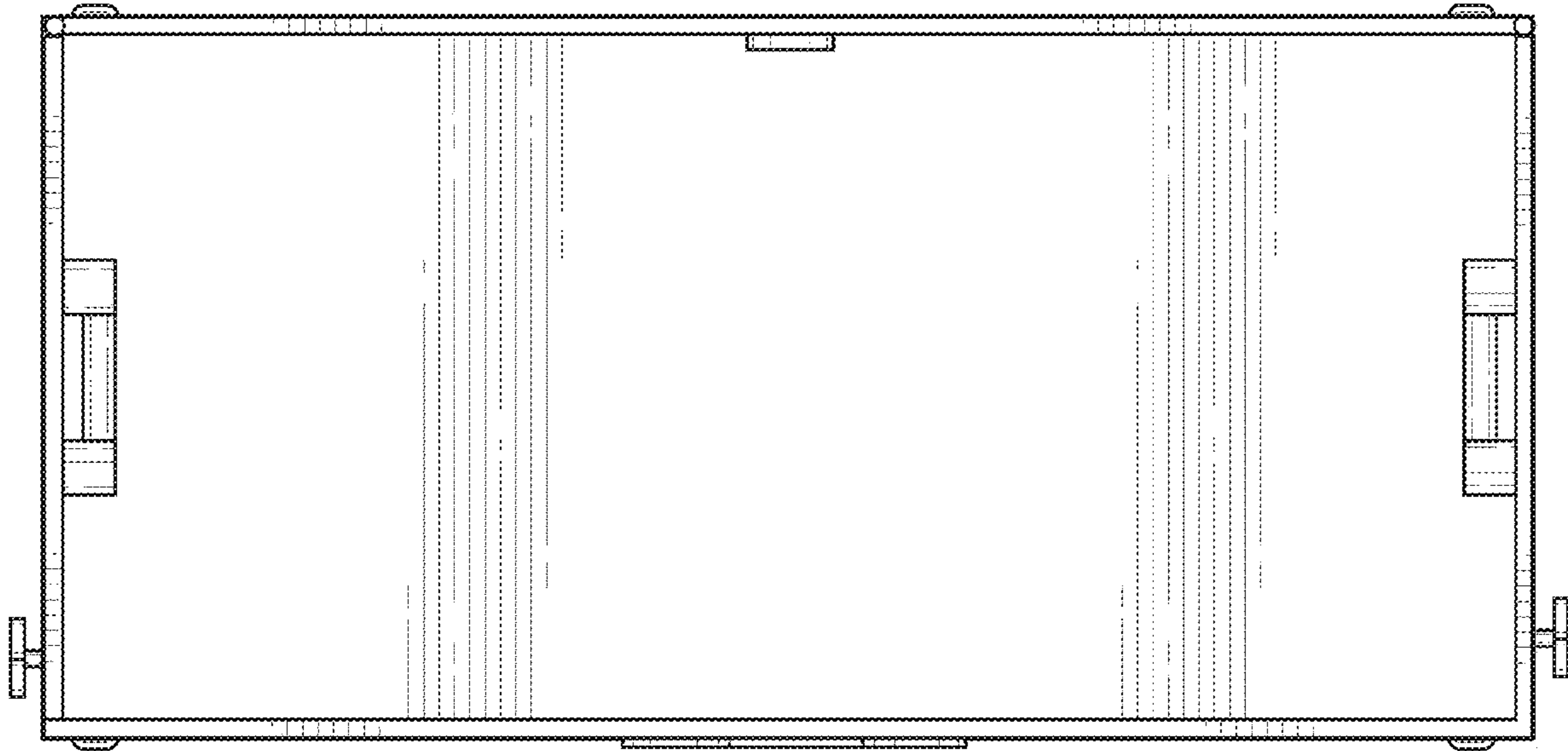


FIG. 6

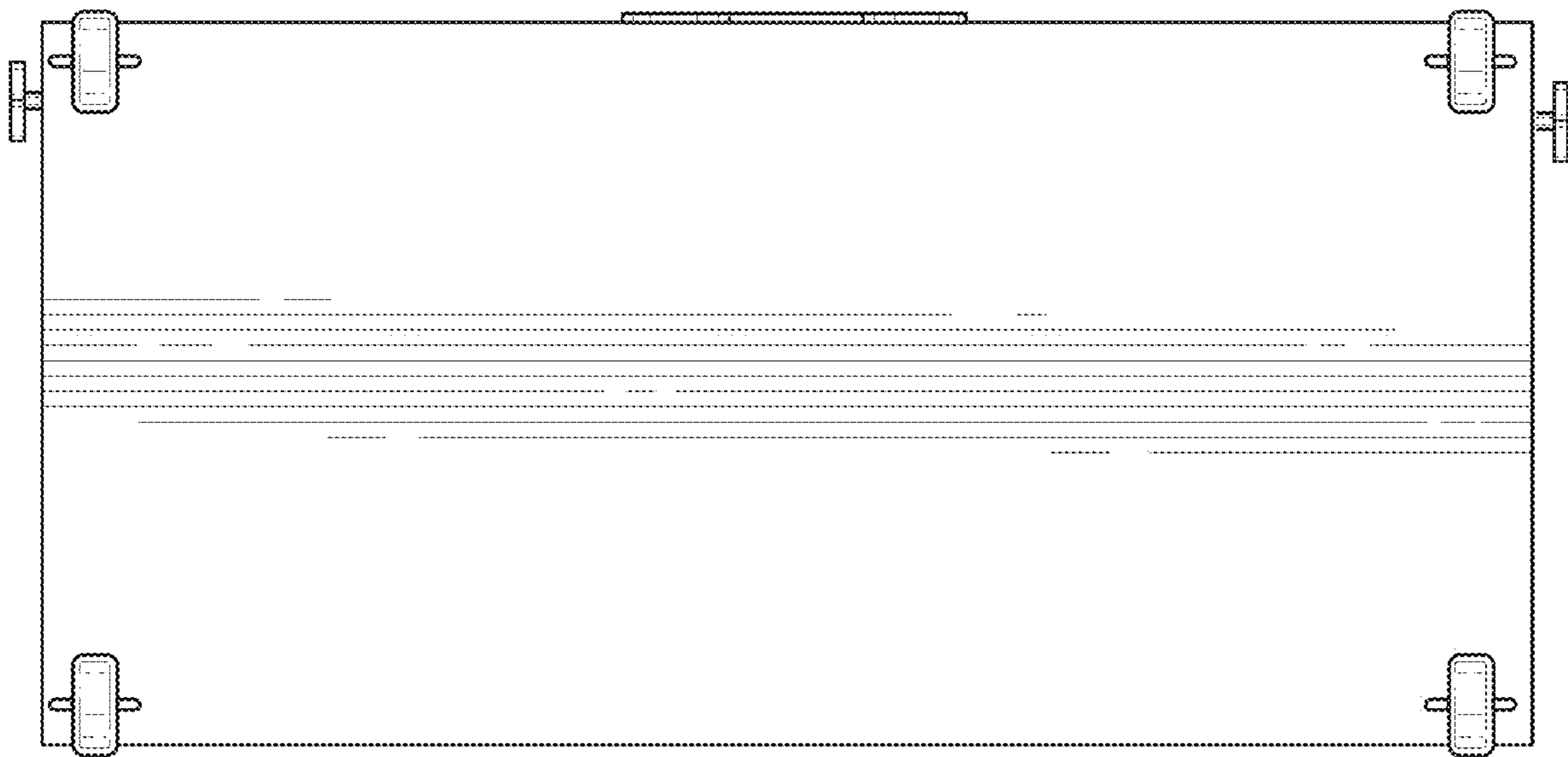


FIG. 7

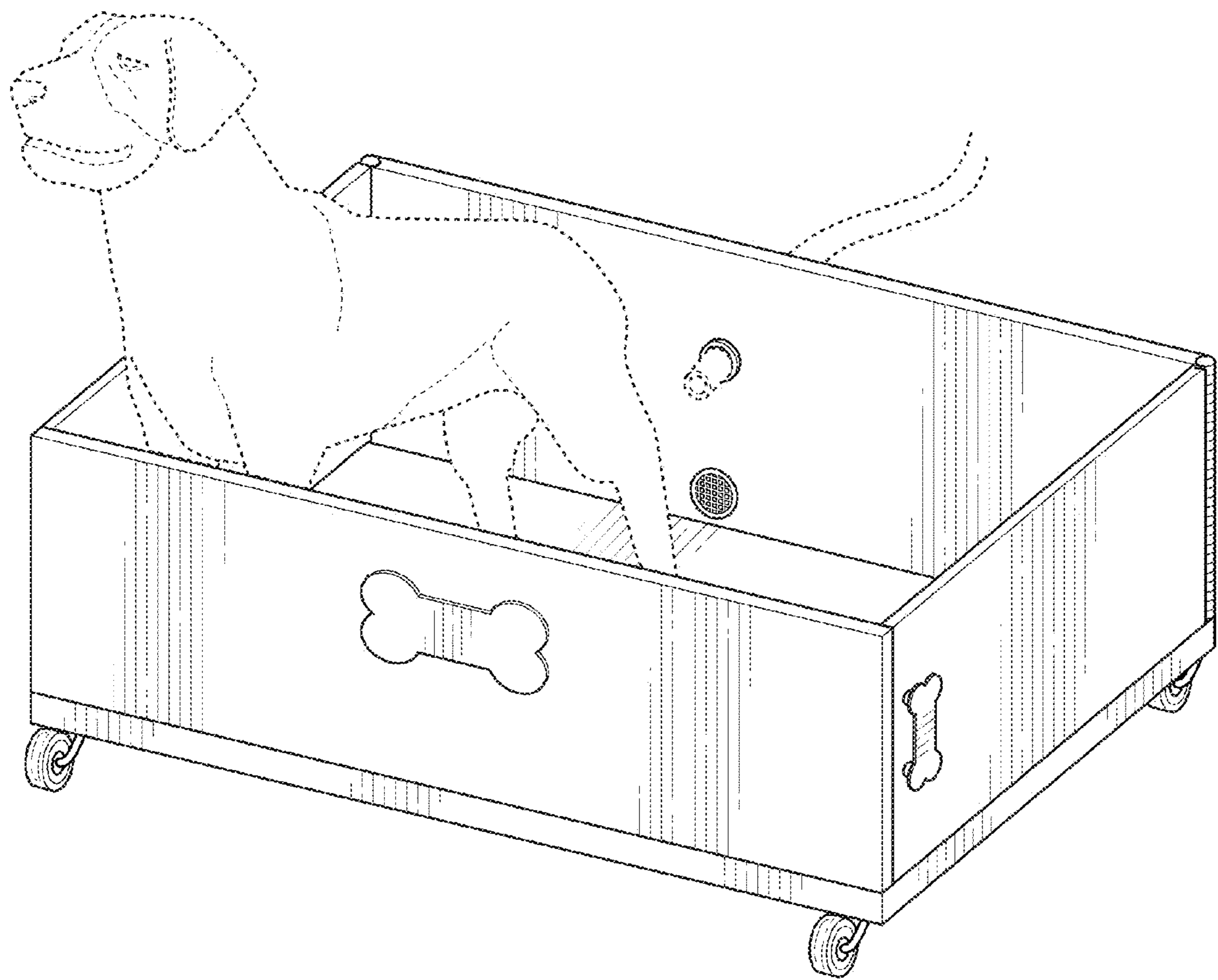


FIG. 8