



US00D942708S

(12) **United States Design Patent** (10) **Patent No.:** **US D942,708 S**
Tu (45) **Date of Patent:** **** Feb. 1, 2022**

(54) **WATER DRINKING DEVICE FOR PETS**

FOREIGN PATENT DOCUMENTS

(71) Applicant: **Zhushi Tu**, Hubei (CN)

CN 304495765 * 9/2017
CN 304546885 * 9/2017

(72) Inventor: **Zhushi Tu**, Hubei (CN)

(**) Term: **15 Years**

(21) Appl. No.: **29/753,100**

(22) Filed: **Sep. 30, 2020**

(30) **Foreign Application Priority Data**

Aug. 12, 2020 (CN) 202030456169.4

(51) **LOC (13) Cl.** **30-03**

(52) **U.S. Cl.**
USPC **D30/132**

(58) **Field of Classification Search**
USPC D23/202, 207, 209, 213, 222, 225,
D23/255-256, 272-273; D30/121-133
CPC .. A01K 5/0114; A01K 5/0121; A01K 5/0135;
A01K 7/005; A01K 7/00; A01K 39/02;
F04B 23/00; F04B 23/02; Y10T
137/86035; Y10T 137/8376
See application file for complete search history.

(56) **References Cited**

U.S. PATENT DOCUMENTS

D559,472 S * 1/2008 Abinanti D30/129
D681,888 S * 5/2013 Fang D30/132
D738,579 S * 9/2015 Owens D30/132
D820,533 S * 6/2018 Huang D30/132
D834,367 S * 11/2018 Tsai D7/392
D849,336 S * 5/2019 Huang D30/132
D849,337 S * 5/2019 Huang D30/132
D850,731 S * 6/2019 Wu D30/132
D894,500 S * 8/2020 Cui D30/132
D912,333 S * 3/2021 Wang D30/132
D914,300 S * 3/2021 Wu D30/132
D918,491 S * 5/2021 Milsom D30/132
D927,798 S * 8/2021 Tao D30/132

OTHER PUBLICATIONS

Naughty Paws fountain Jul. 4, 2020 found on Oct. 1, 2021 at:
<https://www.amazon.com/NautyPaws-Stainless-Dispenser-Replacement-Pre-Filter/dp/B088H3WD7M/> (Year: 2020).*
Veken fountain Jun. 18, 2018 found on Oct. 1, 2021 at: <https://www.amazon.com/Veken-Fountain-Automatic-Dispenser-Replacement/dp/B07DLXF7XL/> (Year: 2018).*

* cited by examiner

Primary Examiner — Karen S Acker
Assistant Examiner — Jonathan E Fiencke

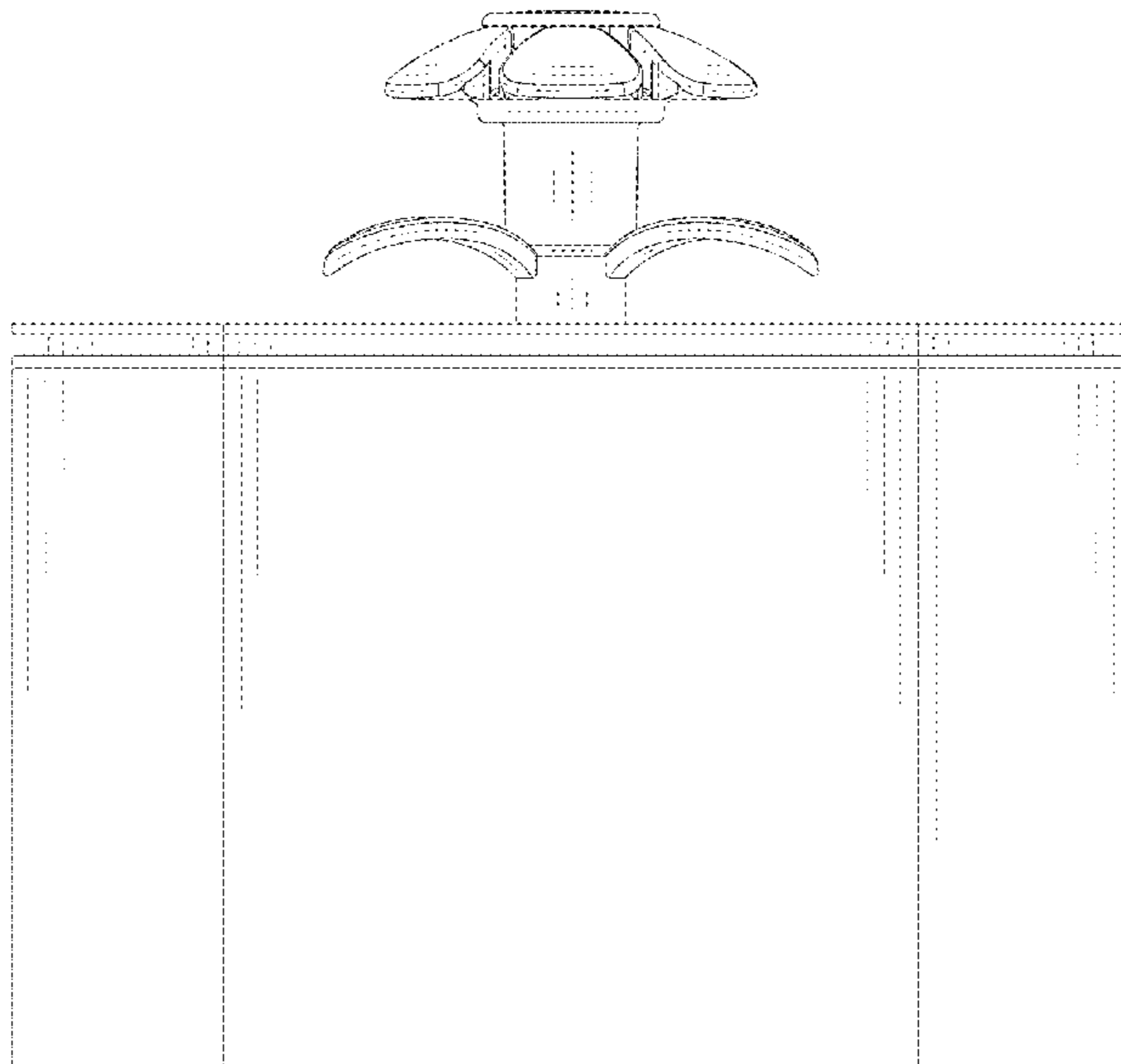
(57) **CLAIM**

The ornamental design for a water drinking device for pets, as shown and described.

DESCRIPTION

FIG. 1 is a front elevational view of a water drinking device for pets showing my new design;
FIG. 2 is a rear elevational view thereof;
FIG. 3 is a left side view thereof;
FIG. 4 is a right side view thereof;
FIG. 5 is a top plan view thereof;
FIG. 6 is a bottom plan view thereof;
FIG. 7 is a top, front and right side perspective view thereof;
and,
FIG. 8 is a top, rear and left side perspective view thereof.
The broken lines in the drawings illustrate portions of the water drinking device for pets which form no part of the claimed design.

1 Claim, 8 Drawing Sheets



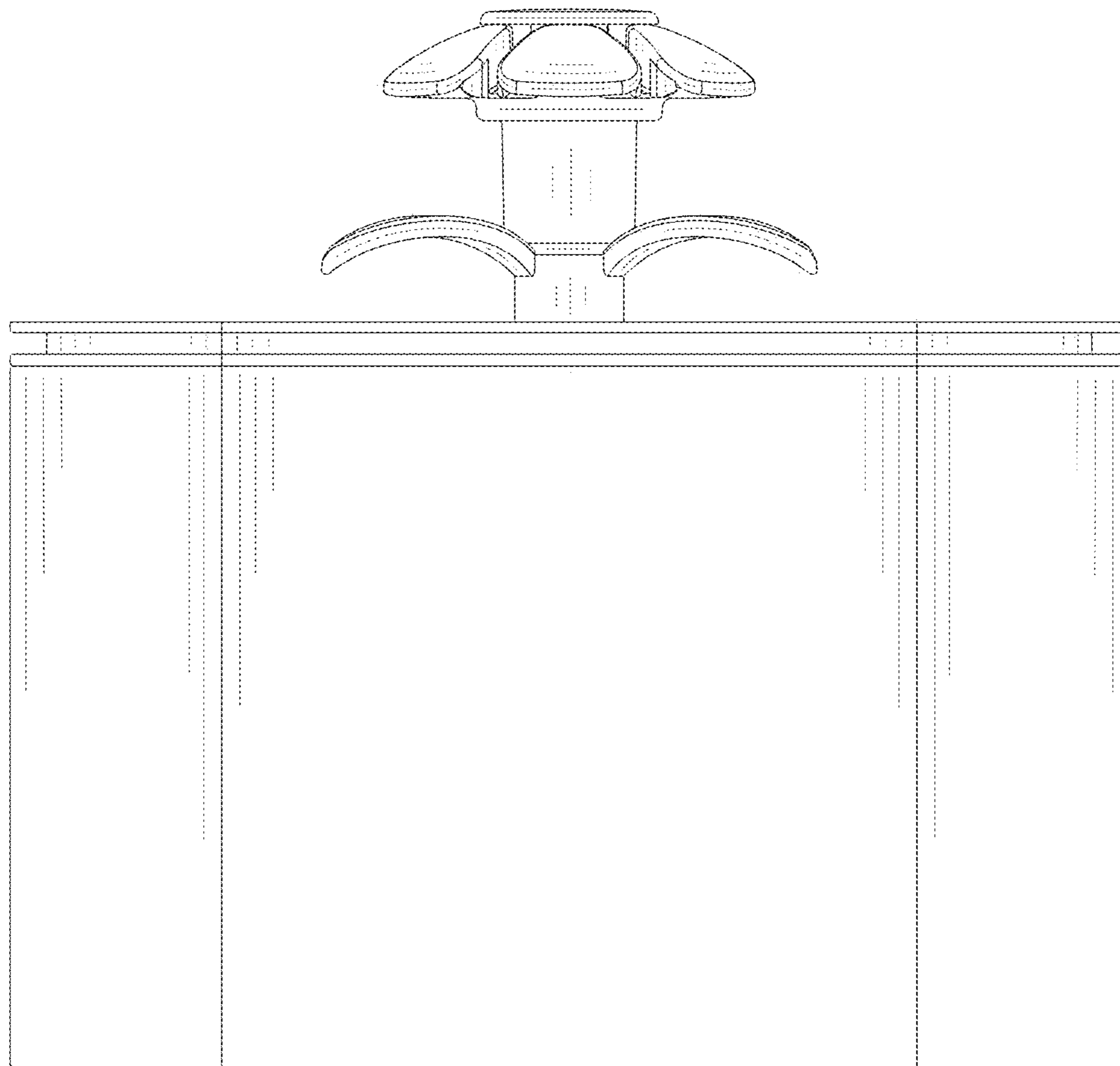


FIG. 1

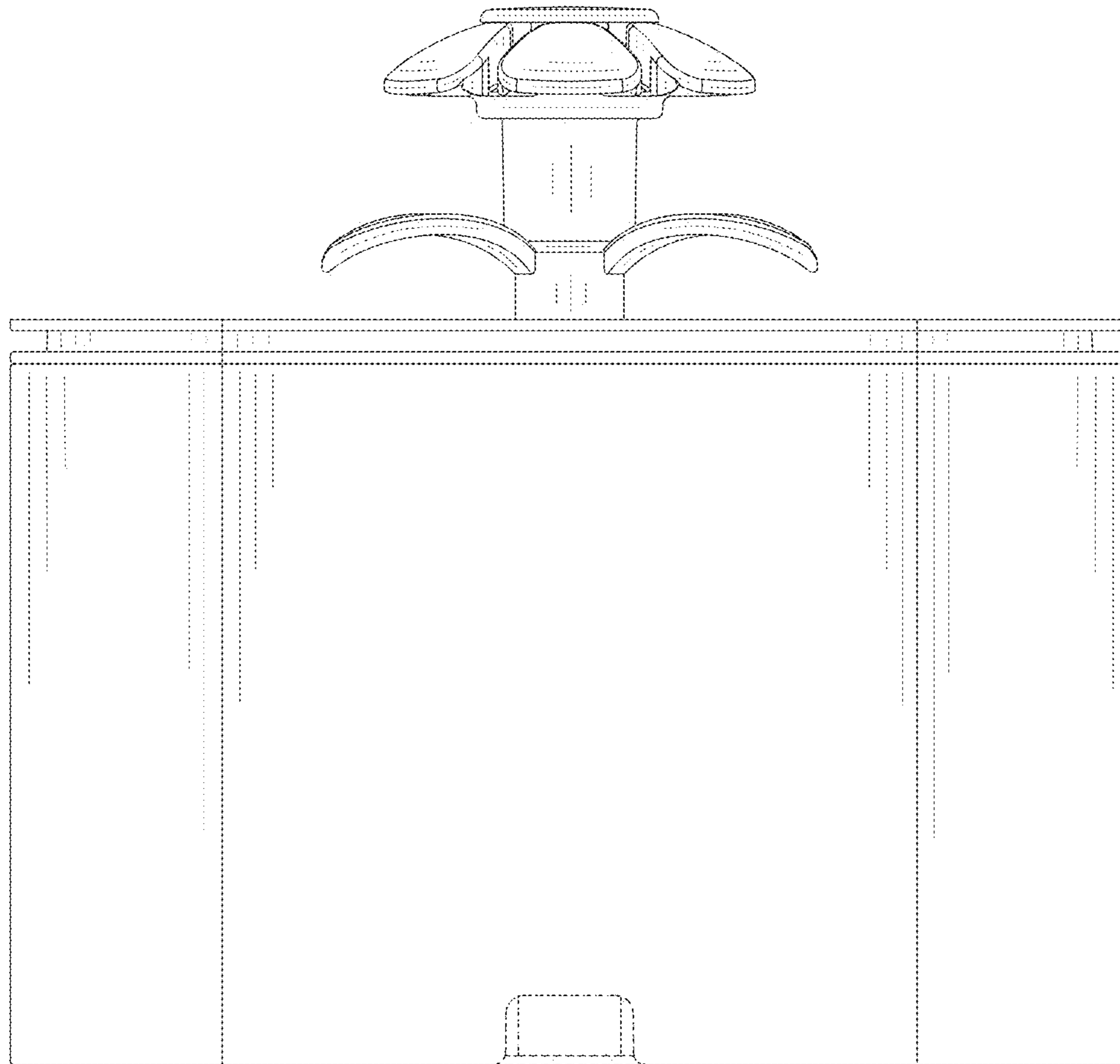


FIG. 2

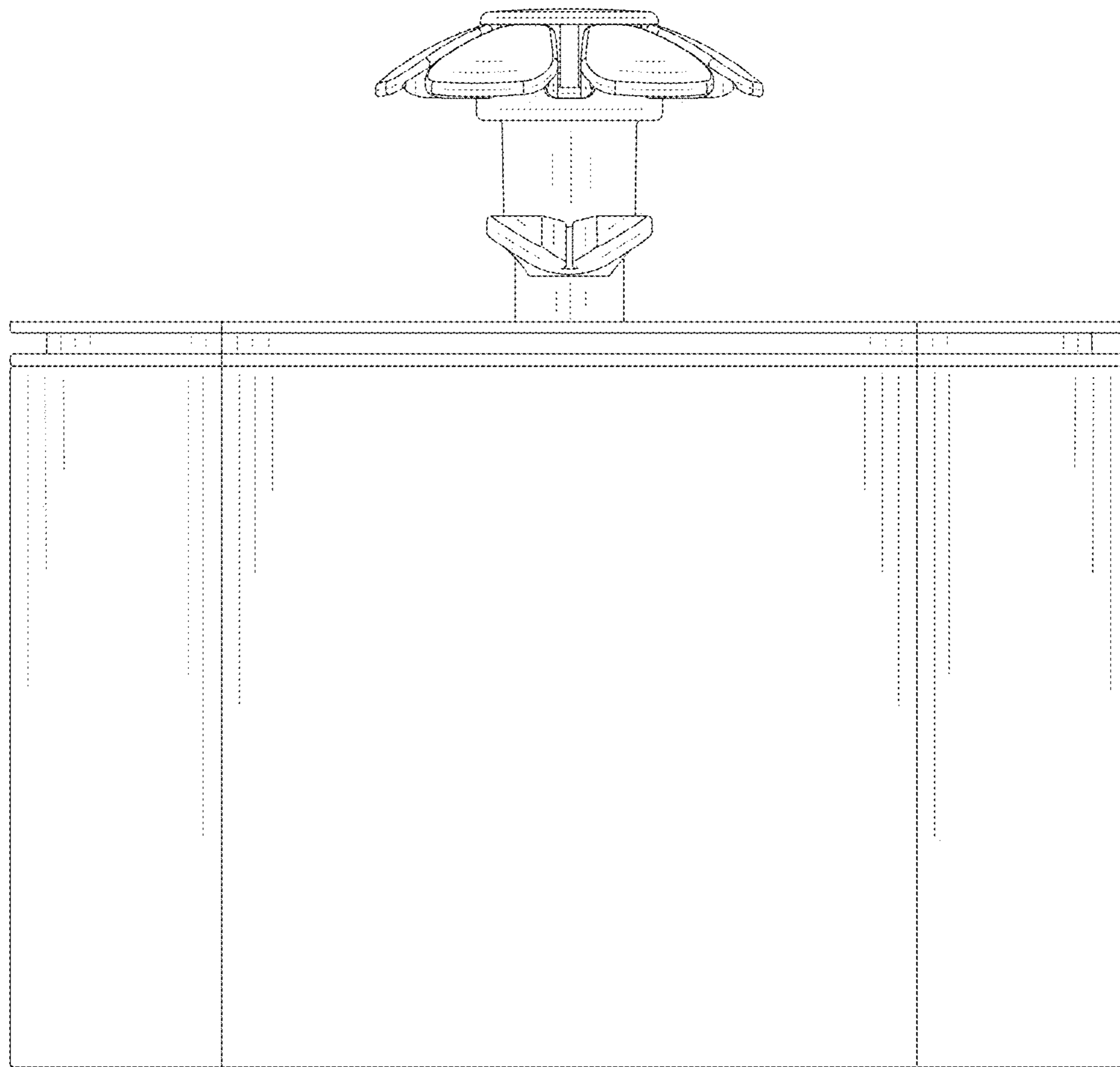


FIG. 3

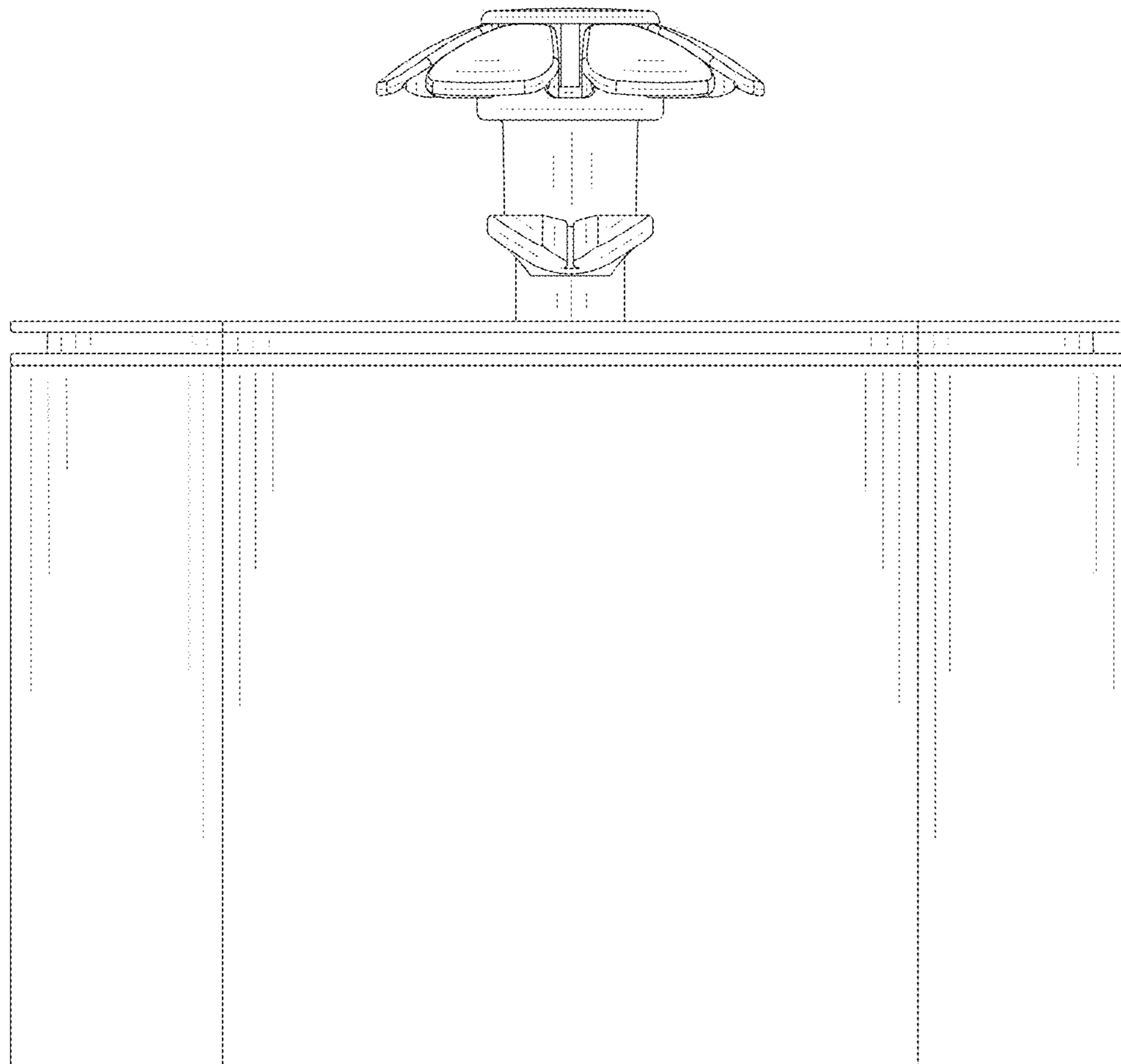


FIG. 4

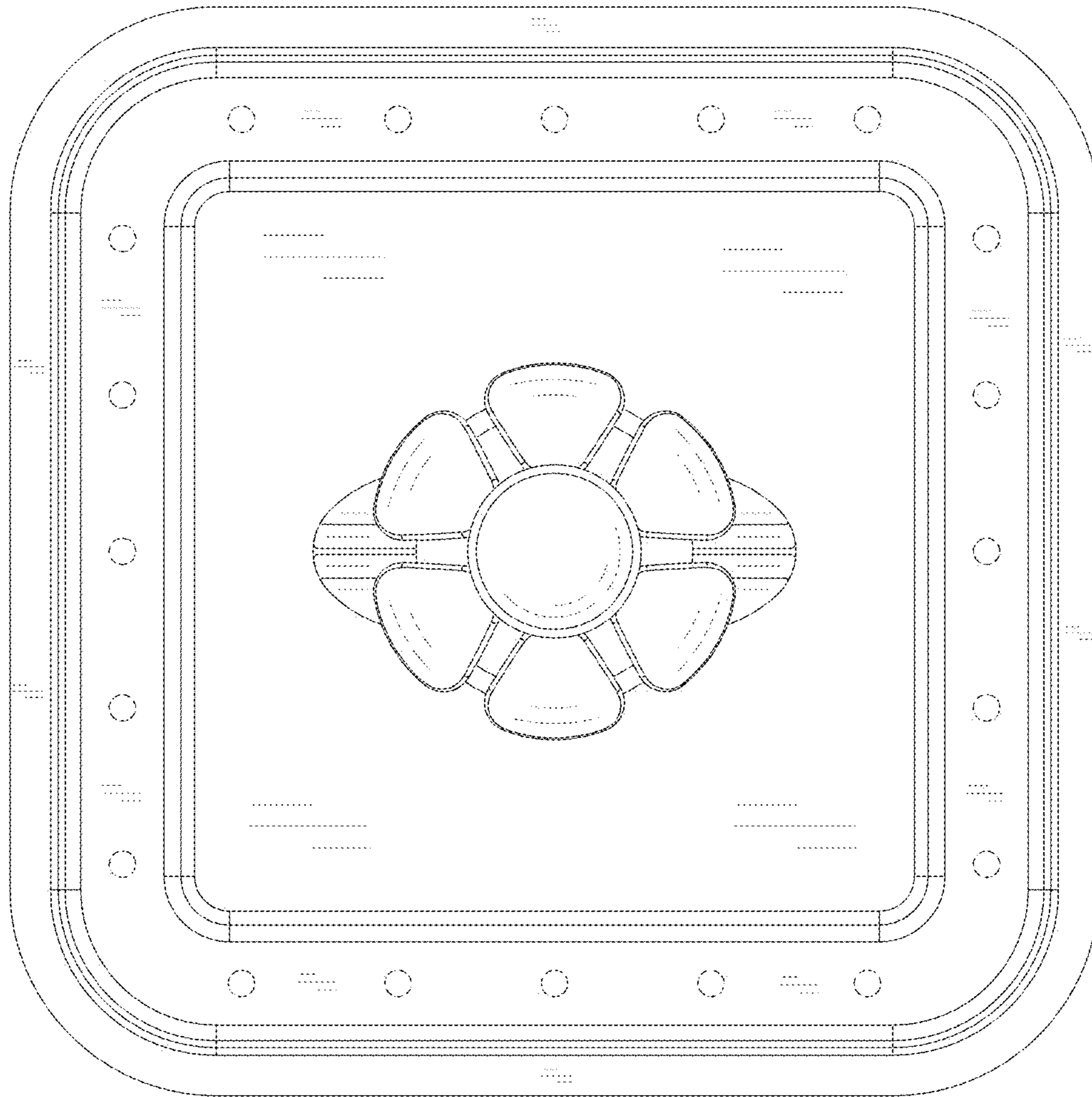


FIG. 5

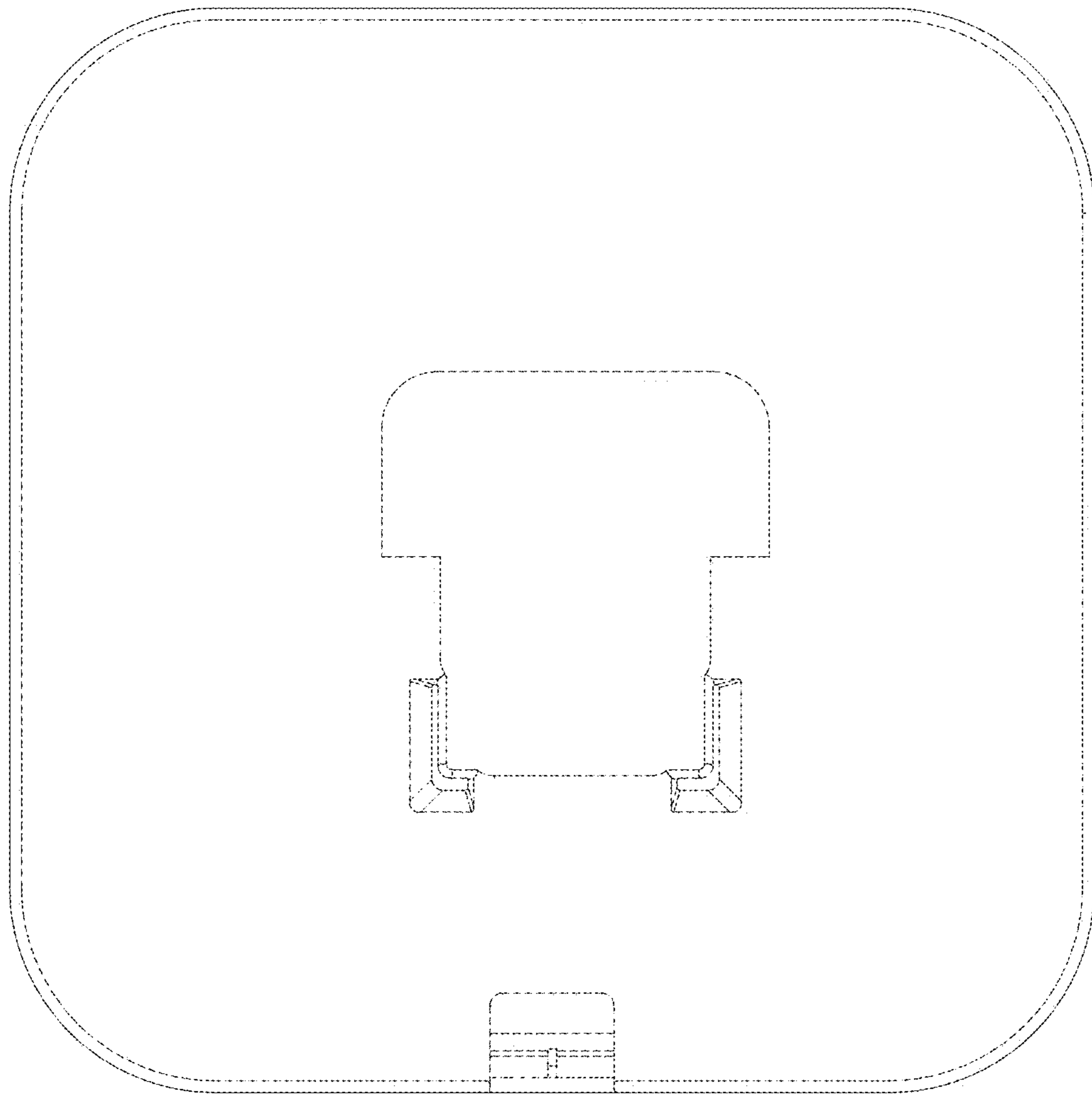


FIG. 6

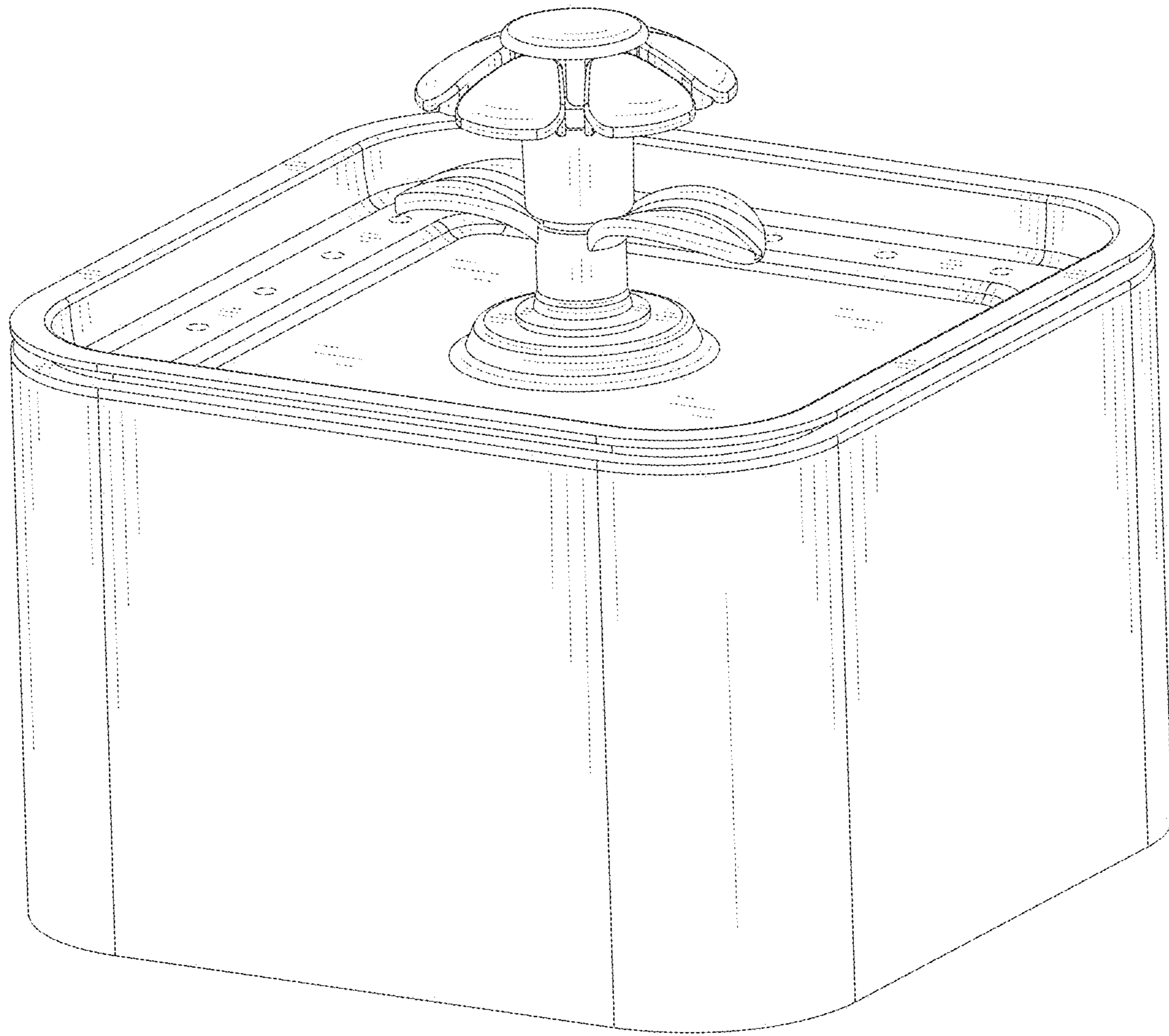


FIG. 7

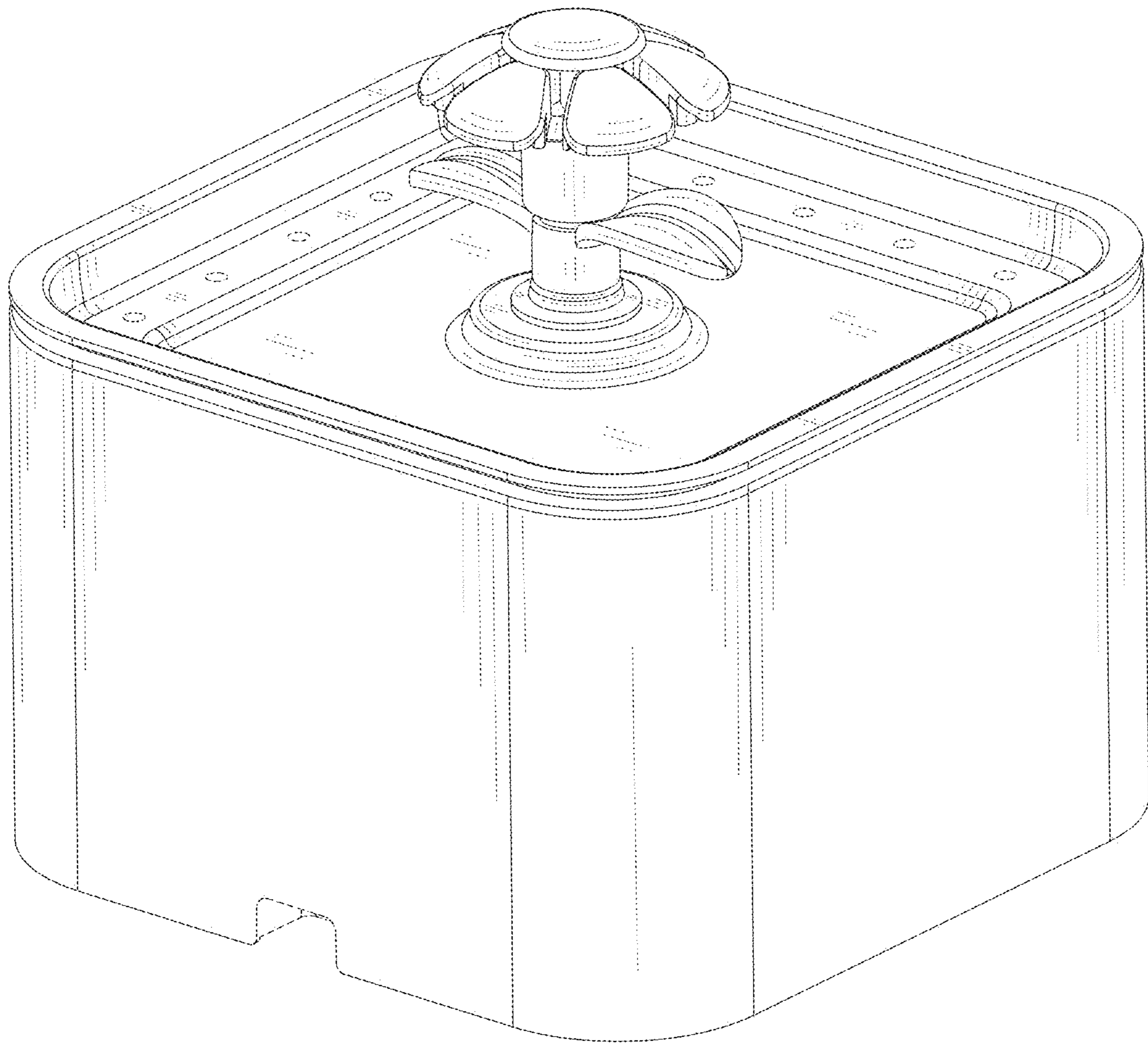


FIG. 8