



US00D942707S

(12) **United States Design Patent**  
**Tang**

(10) **Patent No.:** **US D942,707 S**

(45) **Date of Patent:** **\*\* Feb. 1, 2022**

(54) **WATER BOTTLE FOR PETS**

(71) Applicant: **Wei Tang**, Guangdong (CN)

(72) Inventor: **Wei Tang**, Guangdong (CN)

(\*\*) Term: **15 Years**

(21) Appl. No.: **29/732,264**

(22) Filed: **Apr. 22, 2020**

(30) **Foreign Application Priority Data**

Oct. 23, 2019 (CN) ..... 201930576724.4

(51) **LOC (13) Cl.** ..... **30-03**

(52) **U.S. Cl.**  
USPC ..... **D30/132**

(58) **Field of Classification Search**

USPC ..... D30/121, 122, 129, 130, 131, 132, 133,  
D30/199; 119/51.01, 51.02, 51.03, 51.11,  
119/51.12, 51.13, 51.5, 57.92, 58, 61.5,  
119/61.52, 61.54, 61.55, 61.56, 61.57, 72,  
119/73, 74, 75, 78; D3/202; D9/435,  
D9/440, 443, 516, 522, 528, 531, 545,  
D9/549, 564, 715, 716, 719

CPC ..... A01K 5/00; A01K 5/0114; A01K 5/0121;  
A01K 5/0135; A01K 7/005; A01K 7/00;  
A01K 39/02; A01K 39/04; A01K 39/0213

See application file for complete search history.

(56) **References Cited**

**U.S. PATENT DOCUMENTS**

D741,025	S	*	10/2015	Ross	.....	D30/132
D887,090	S	*	6/2020	Price	.....	D30/132
D895,904	S	*	9/2020	Ross	.....	D30/121
2016/0050884	A1	*	2/2016	Ross	.....	A01K 7/00
						119/74
2016/0366852	A1	*	12/2016	Burroughs	.....	A01K 7/00
2017/0127859	A1	*	5/2017	Hornung	.....	A45F 3/18
2019/0216052	A1	*	7/2019	Yang	.....	A01K 7/00
2020/0077622	A1	*	3/2020	Xiao	.....	B65D 47/2012

**OTHER PUBLICATIONS**

“Portable Dog Water Bottle” available Dec. 24, 2019, [online], [site visited Jun. 16, 2021]. Retrieved from Internet, URL:https://www.amazon.com/Portable-Upgraded-Leakproof-Drinking-Lightweight/dp/B07SZ7GTZW?th=1 (Year: 2019).\*

\* cited by examiner

*Primary Examiner* — W. A. Teddy Falloway

*Assistant Examiner* — Katrina N Gonzalez

(57) **CLAIM**

The ornamental design for a water bottle for pets, as shown and described.

**DESCRIPTION**

FIG. 1 is a front elevational view of a water bottle for pets showing my new design;

FIG. 2 is a rear elevational view of FIG. 1;

FIG. 3 is a left side view of FIG. 1;

FIG. 4 is a right side view of FIG. 1;

FIG. 5 is a top plan view of FIG. 1;

FIG. 6 is a bottom plan view of FIG. 1;

FIG. 7 is a top perspective view of FIG. 1;

FIG. 8 is a bottom perspective view of FIG. 1;

FIG. 9 is a front elevational view showing the water bottle for pets in a use state;

FIG. 10 is a rear elevational view of FIG. 9;

FIG. 11 is a left side view of FIG. 9;

FIG. 12 is a right side view of FIG. 9;

FIG. 13 is a top plan view of FIG. 9;

FIG. 14 is a bottom plan view of FIG. 9;

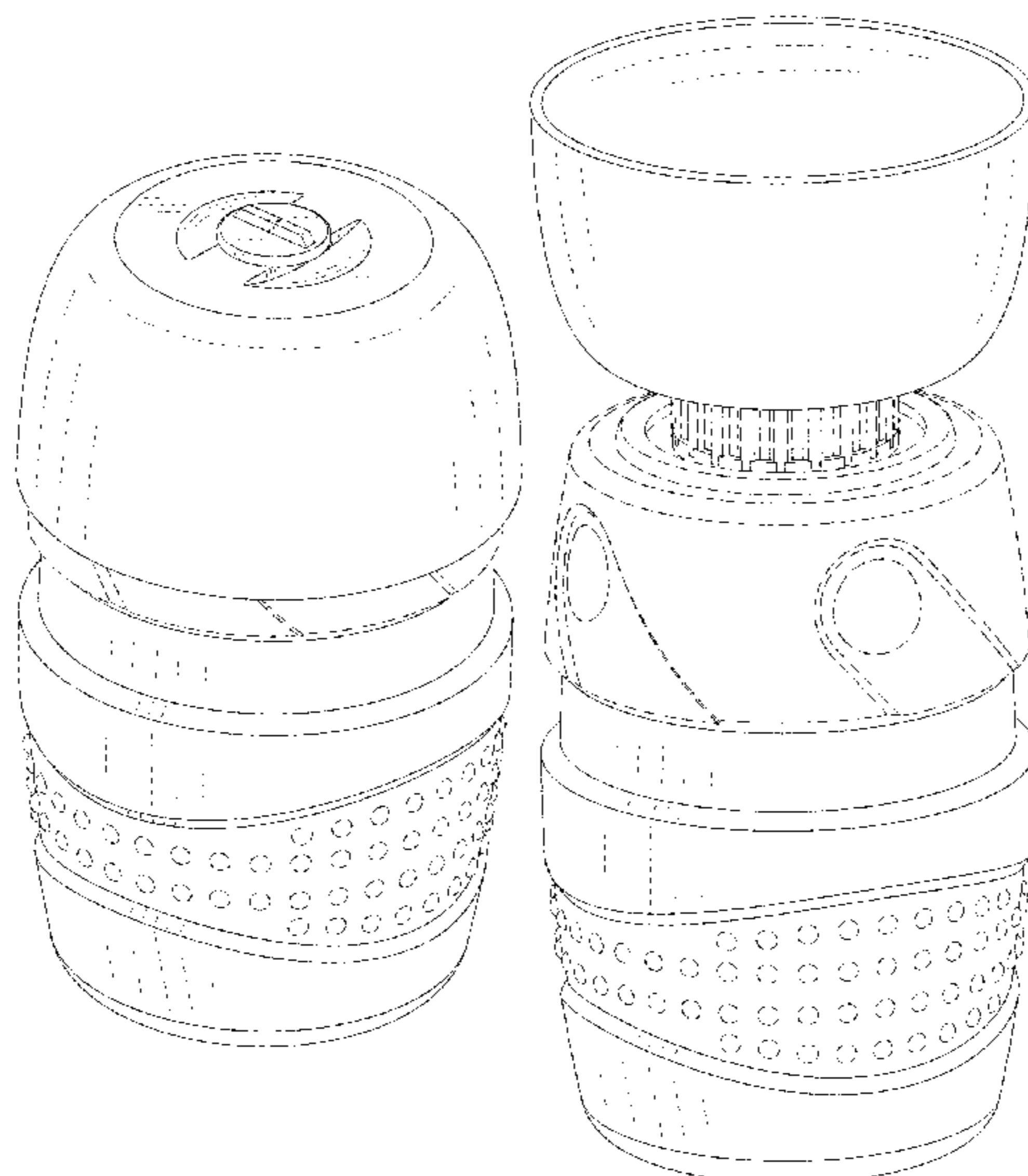
FIG. 15 is a first top perspective view of FIG. 9;

FIG. 16 is a second top perspective view of FIG. 9; and,

FIG. 17 is a bottom perspective view of FIG. 9.

The broken lines in the drawings illustrate portions of the water bottle for pets which form no part of the claimed design.

**1 Claim, 15 Drawing Sheets**



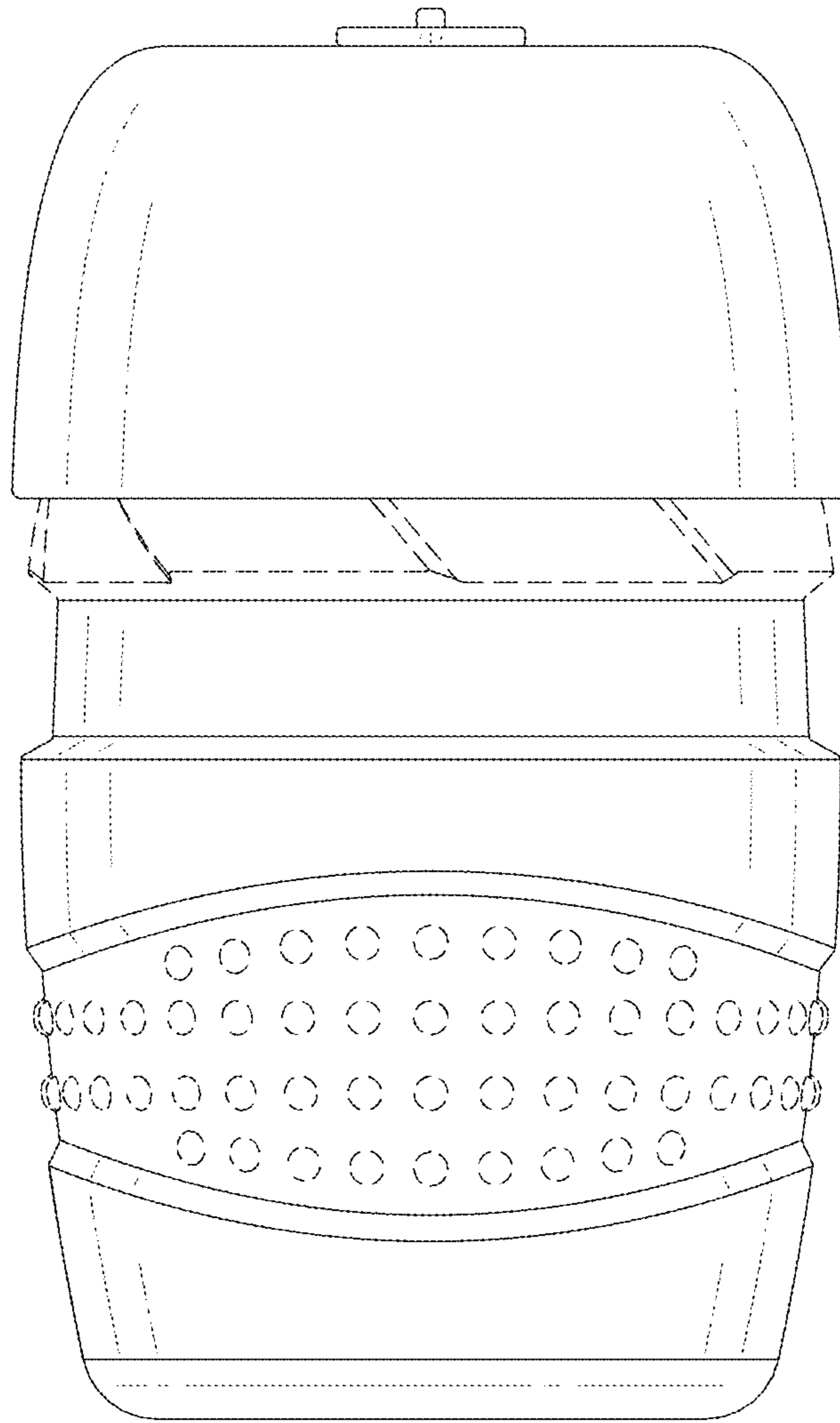


Fig.1

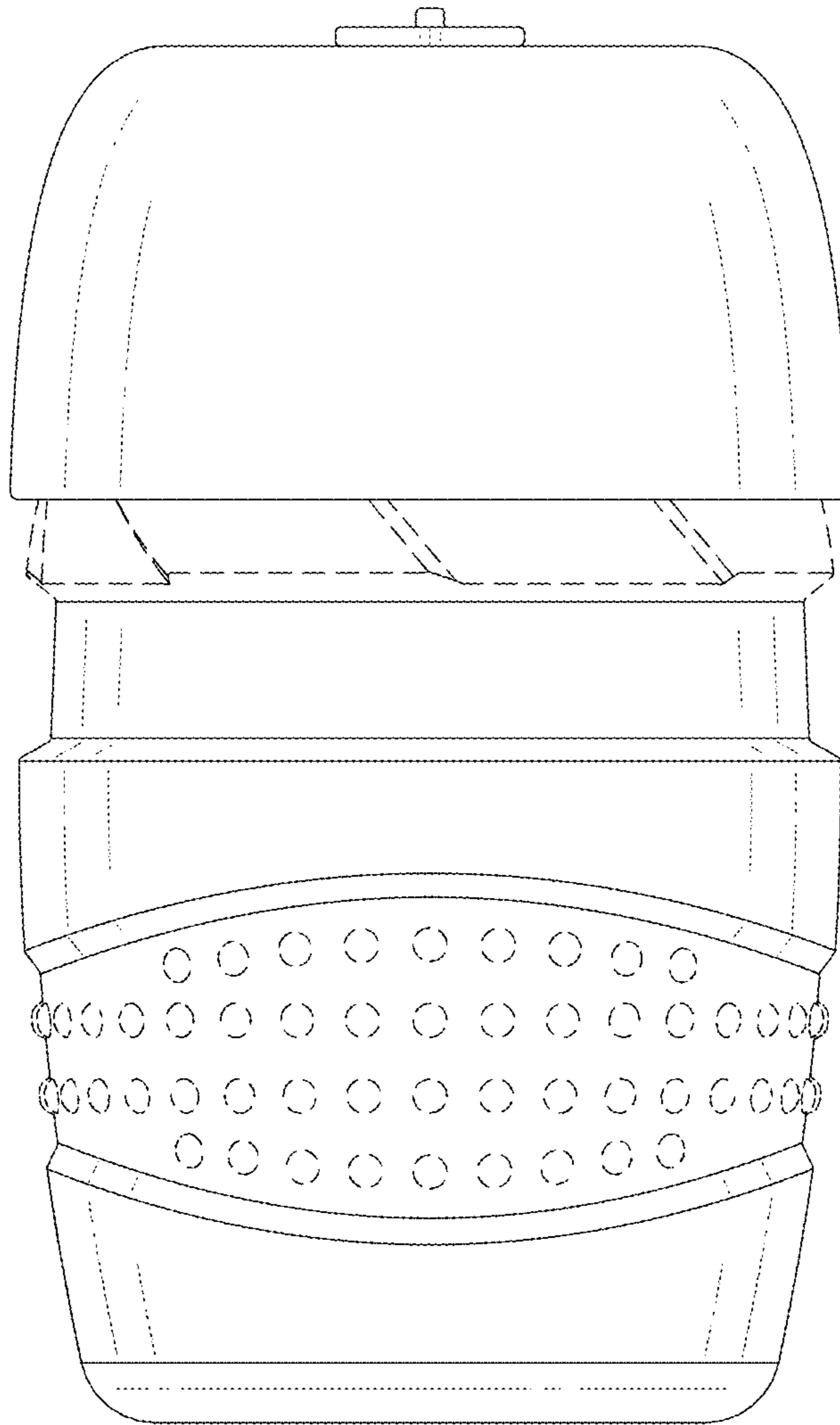


Fig.2

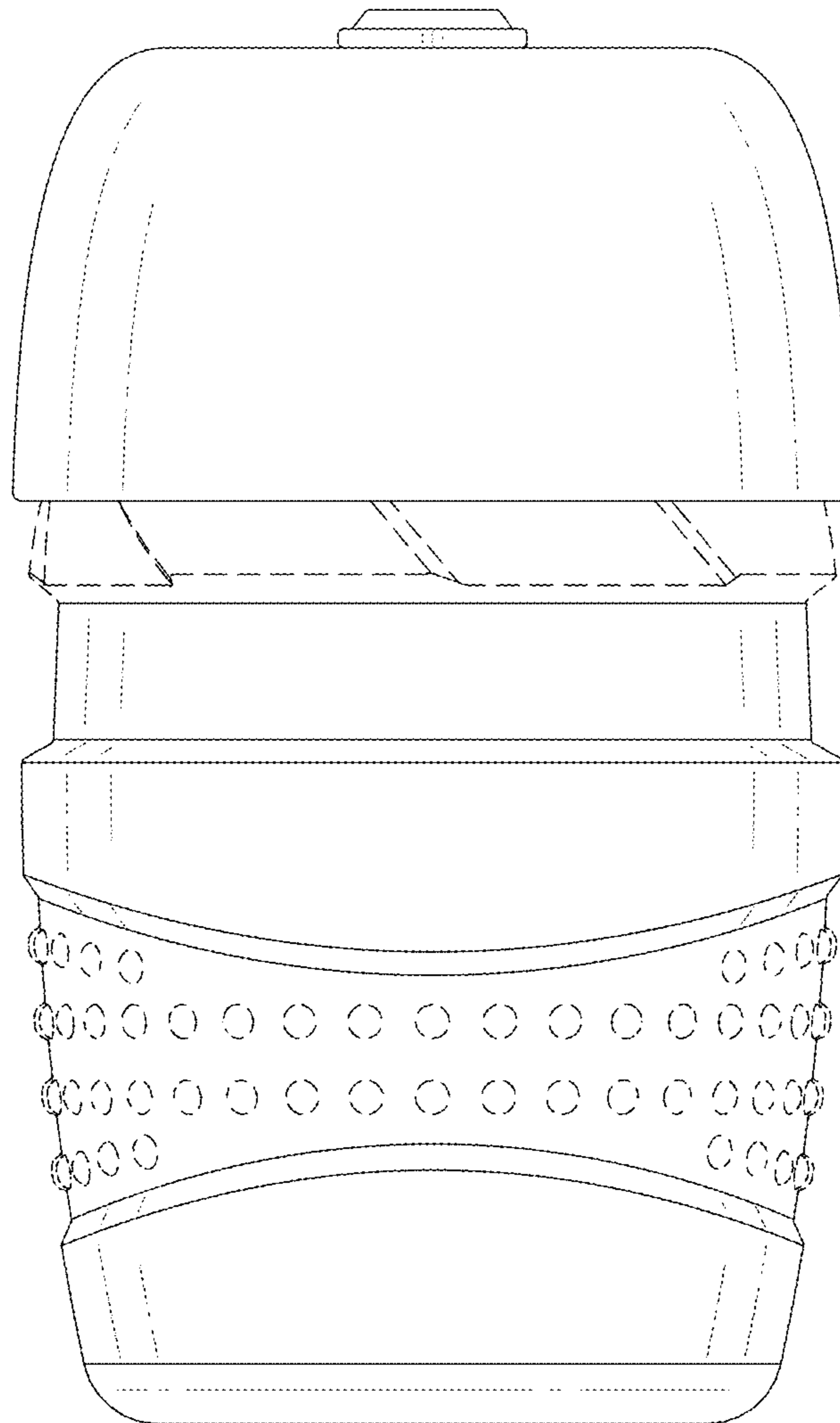


Fig.3

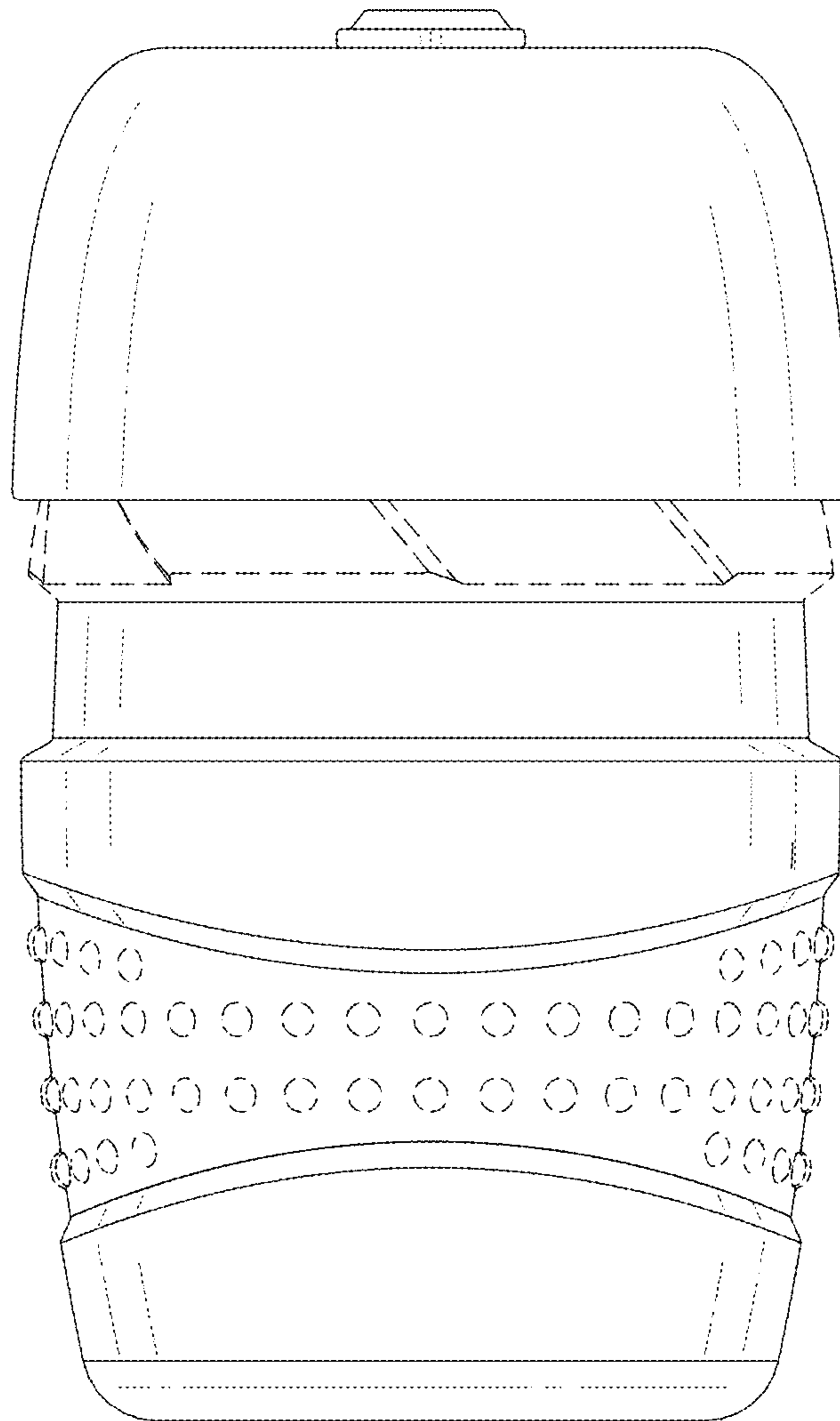


Fig.4

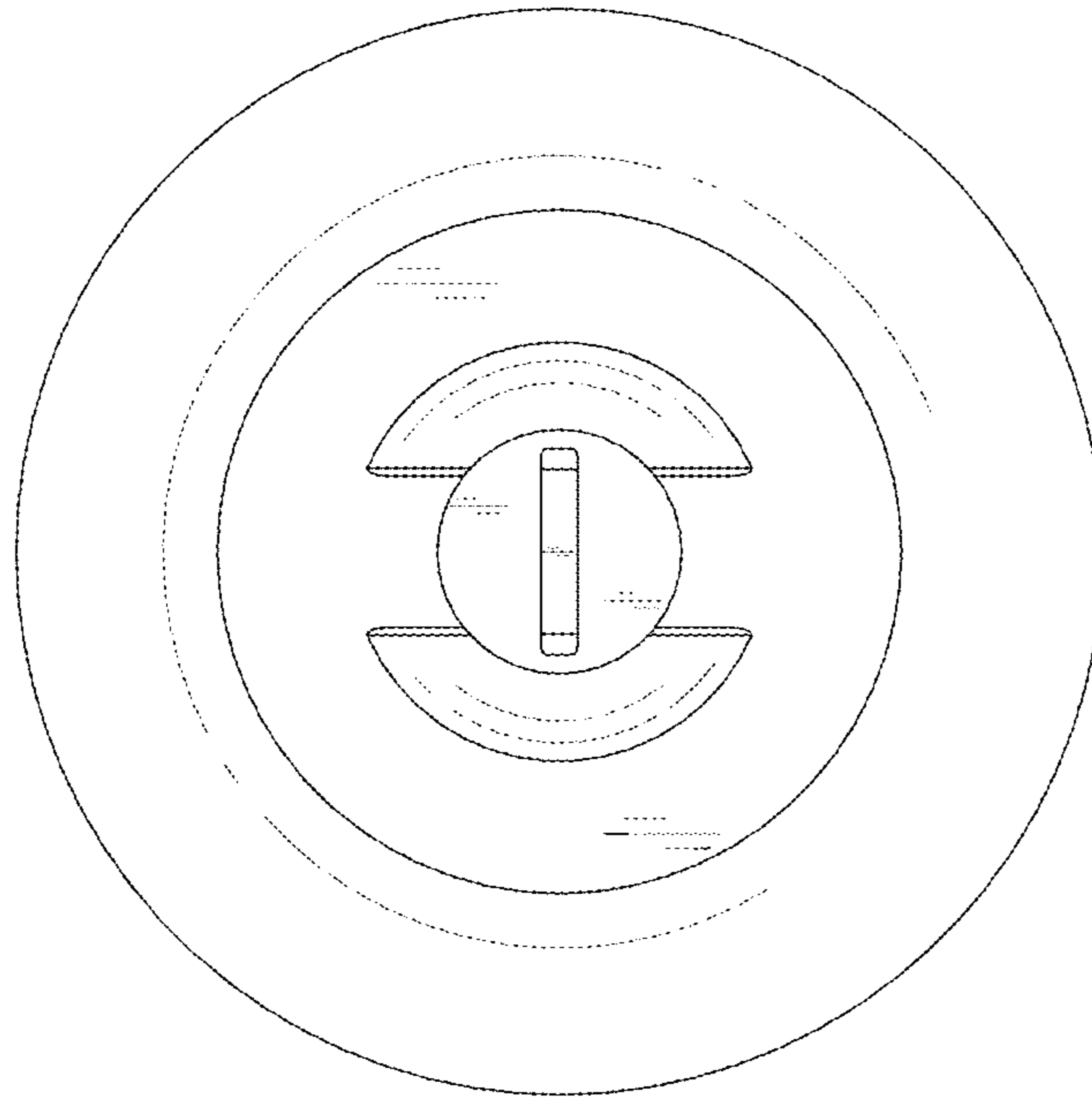


Fig.5

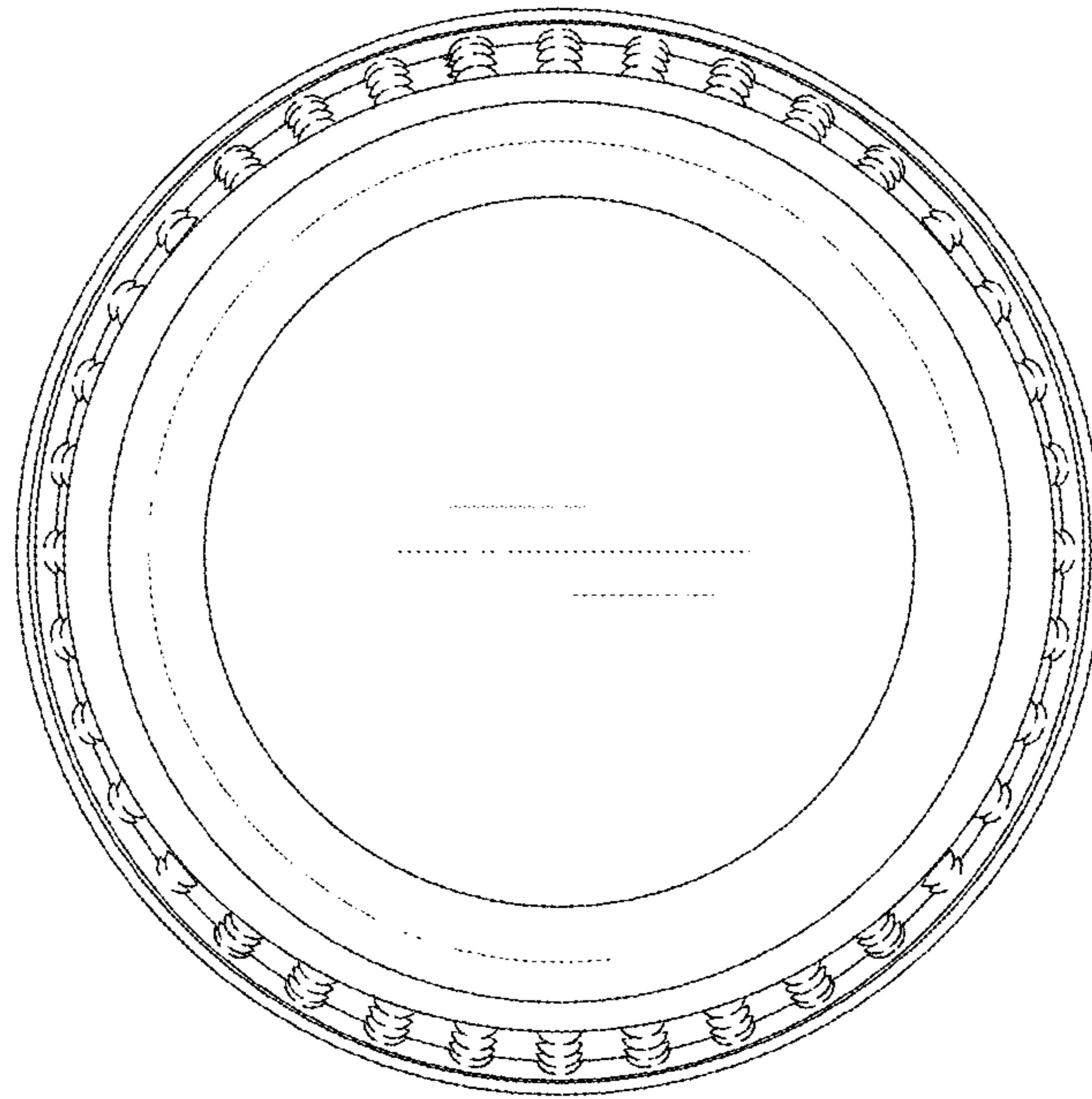


Fig.6



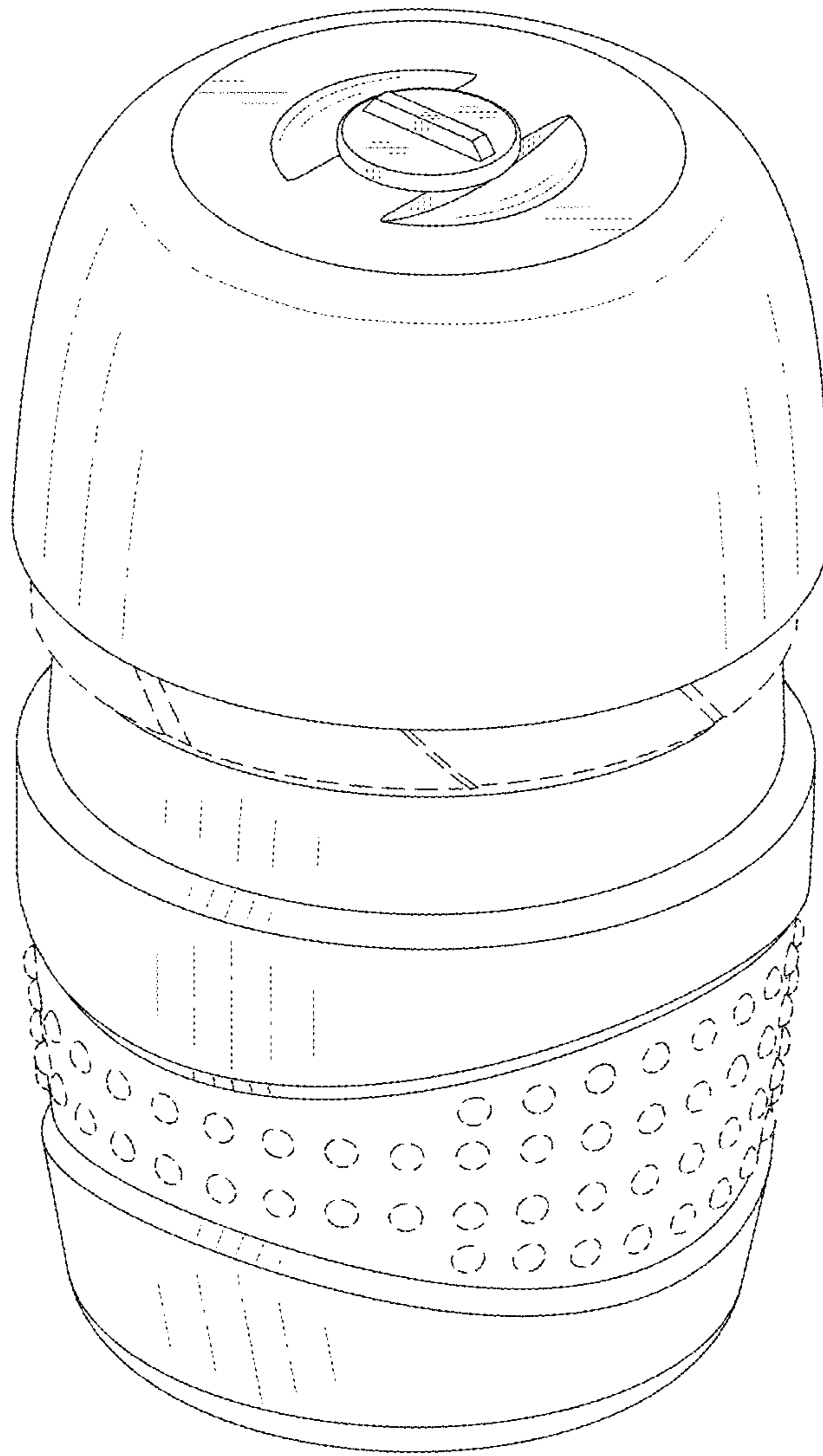


Fig.7

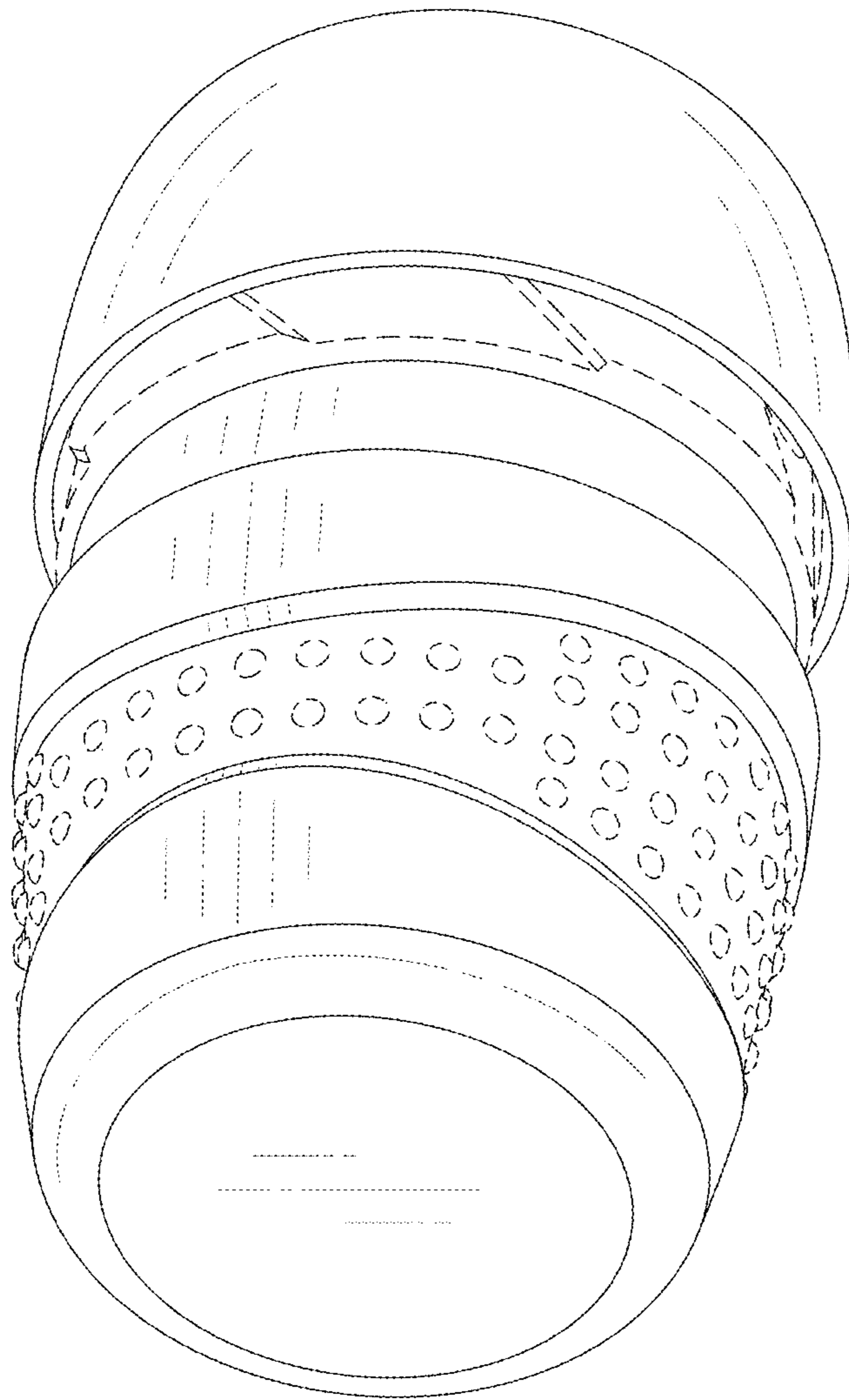


Fig.8



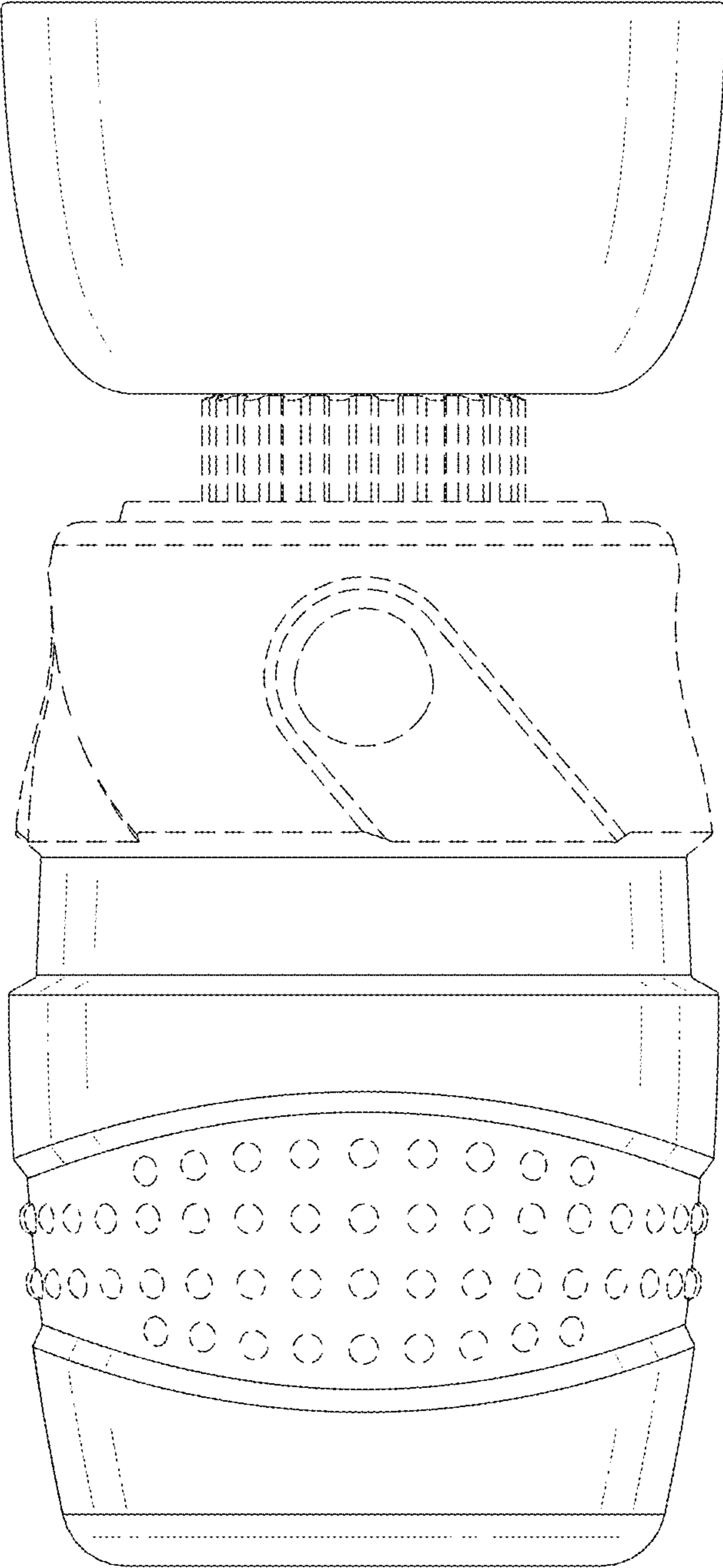


Fig.9

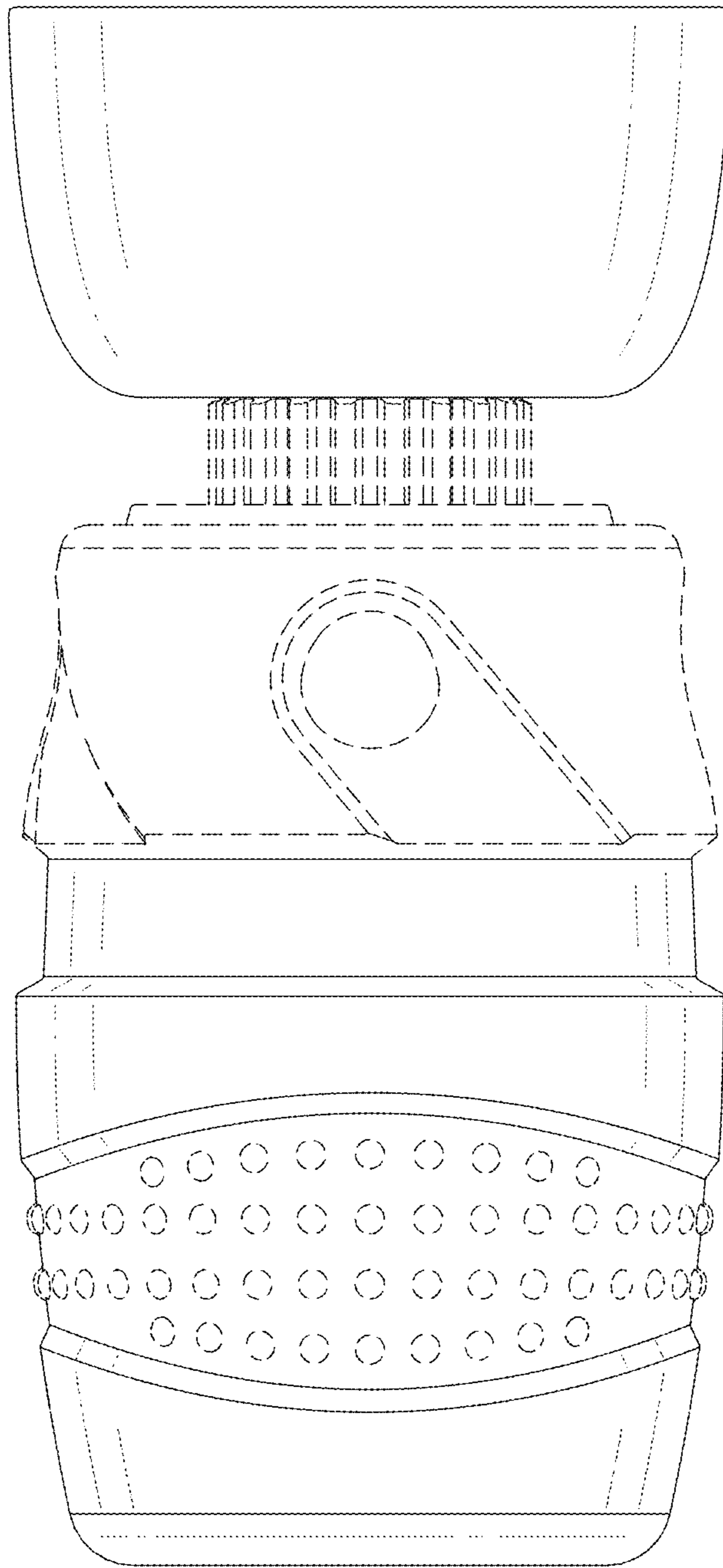


Fig.10

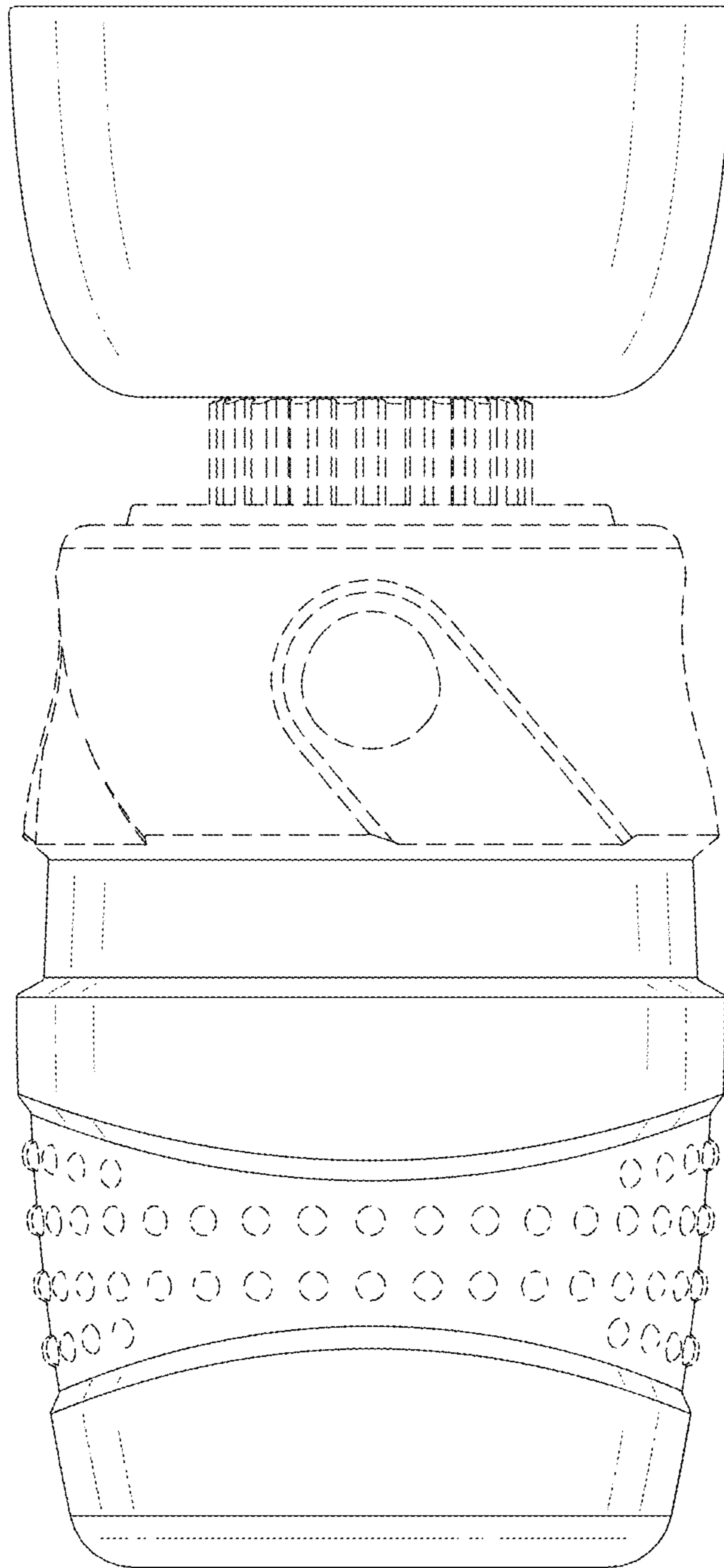


Fig.11

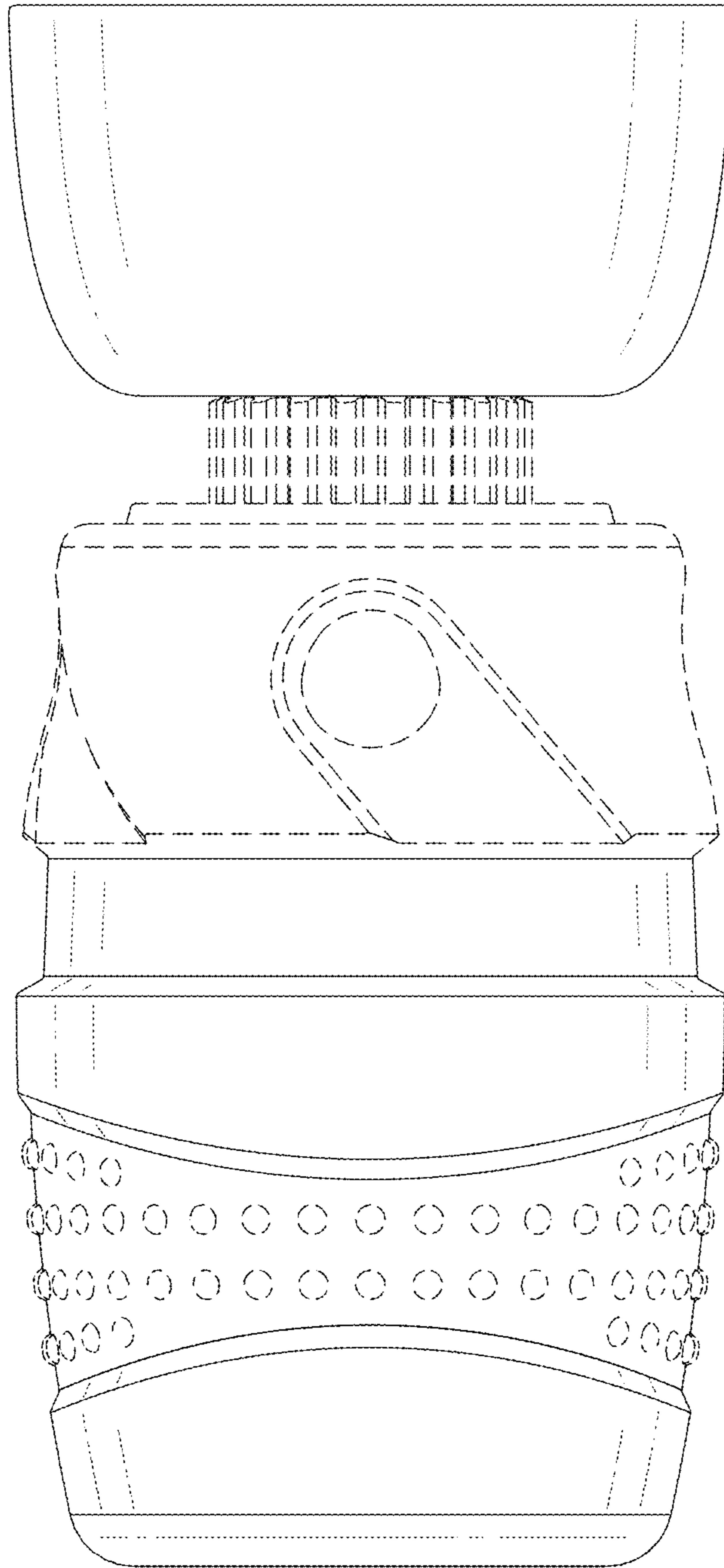


Fig.12

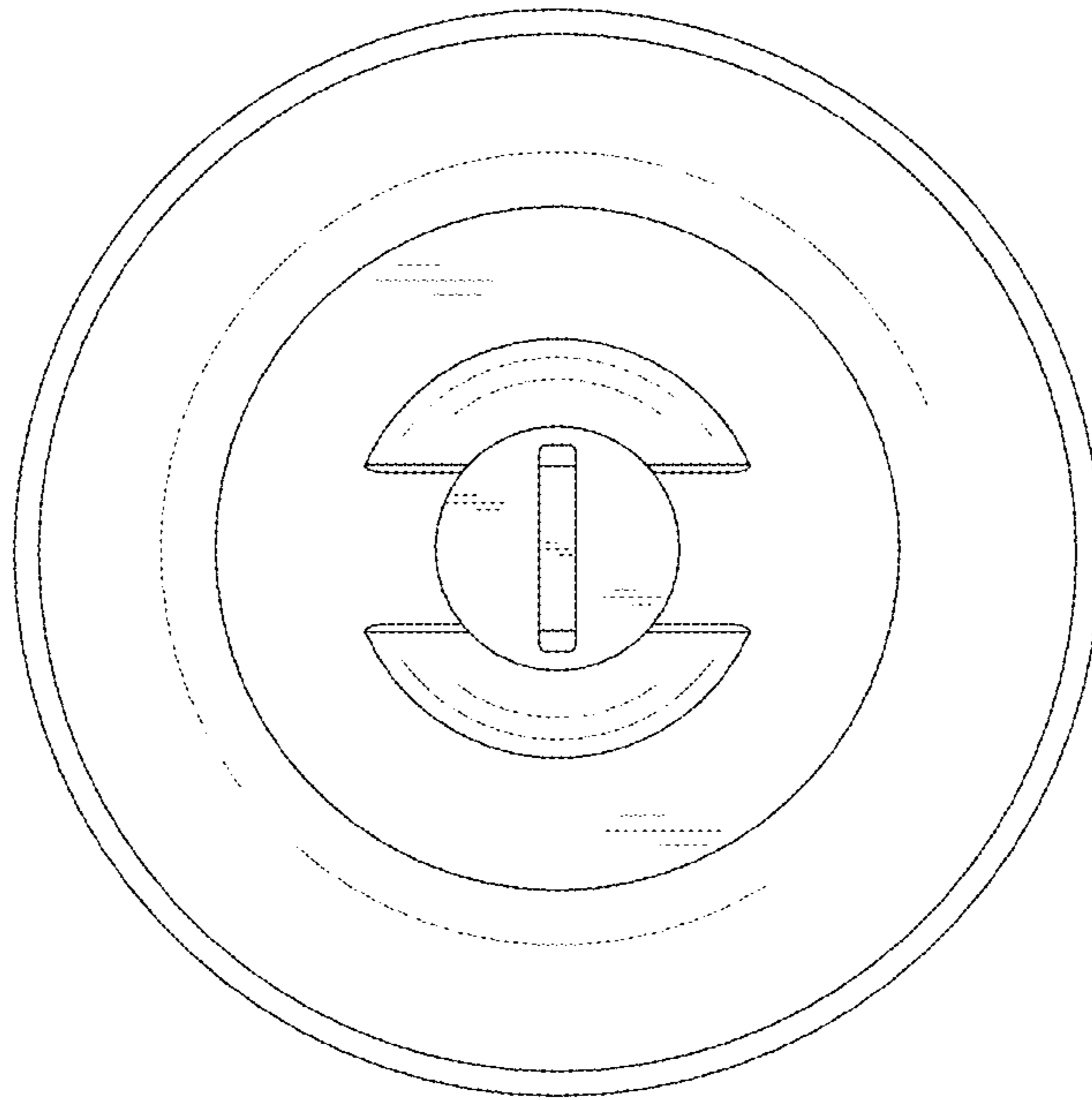


Fig.13

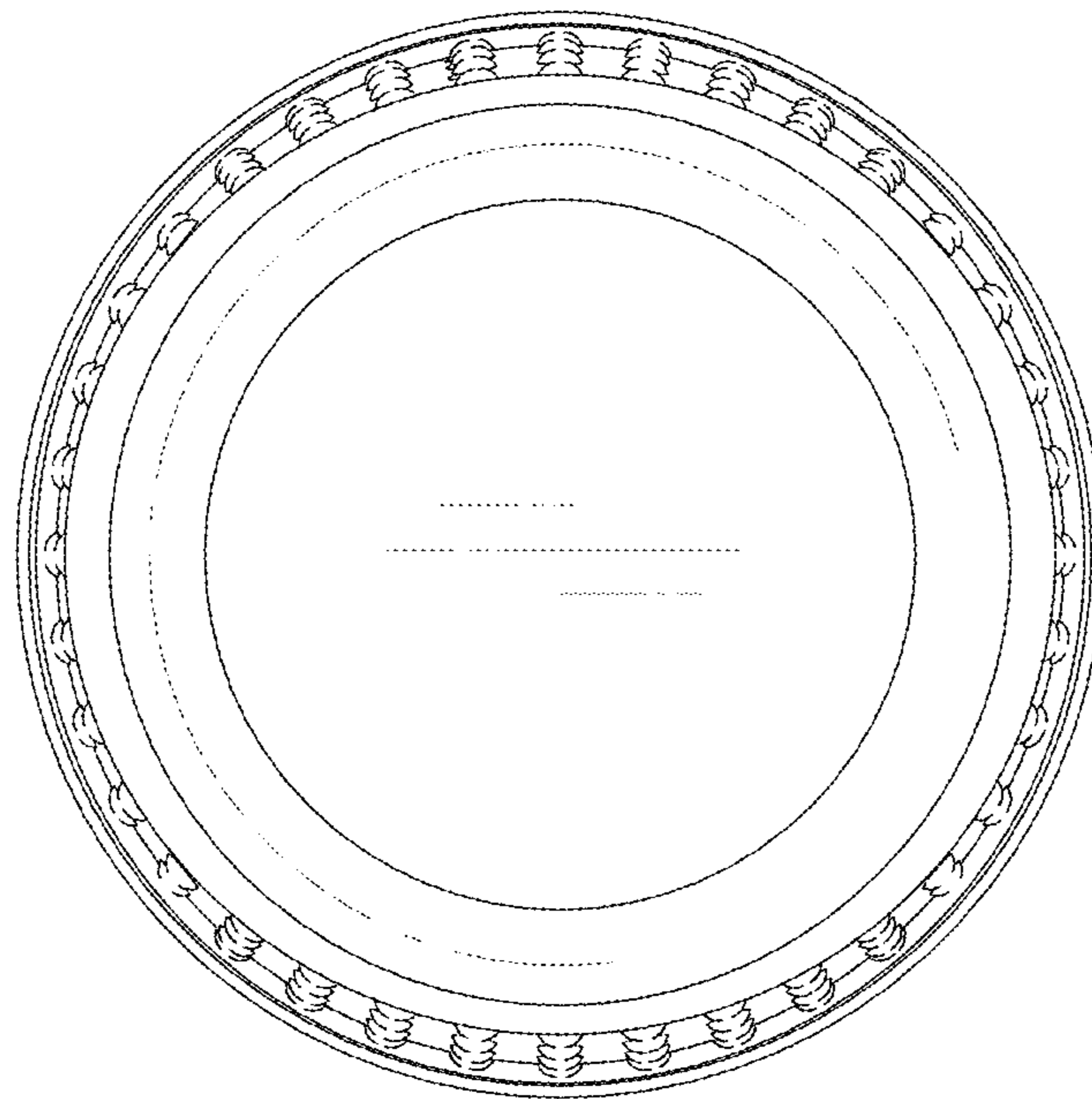


Fig.14

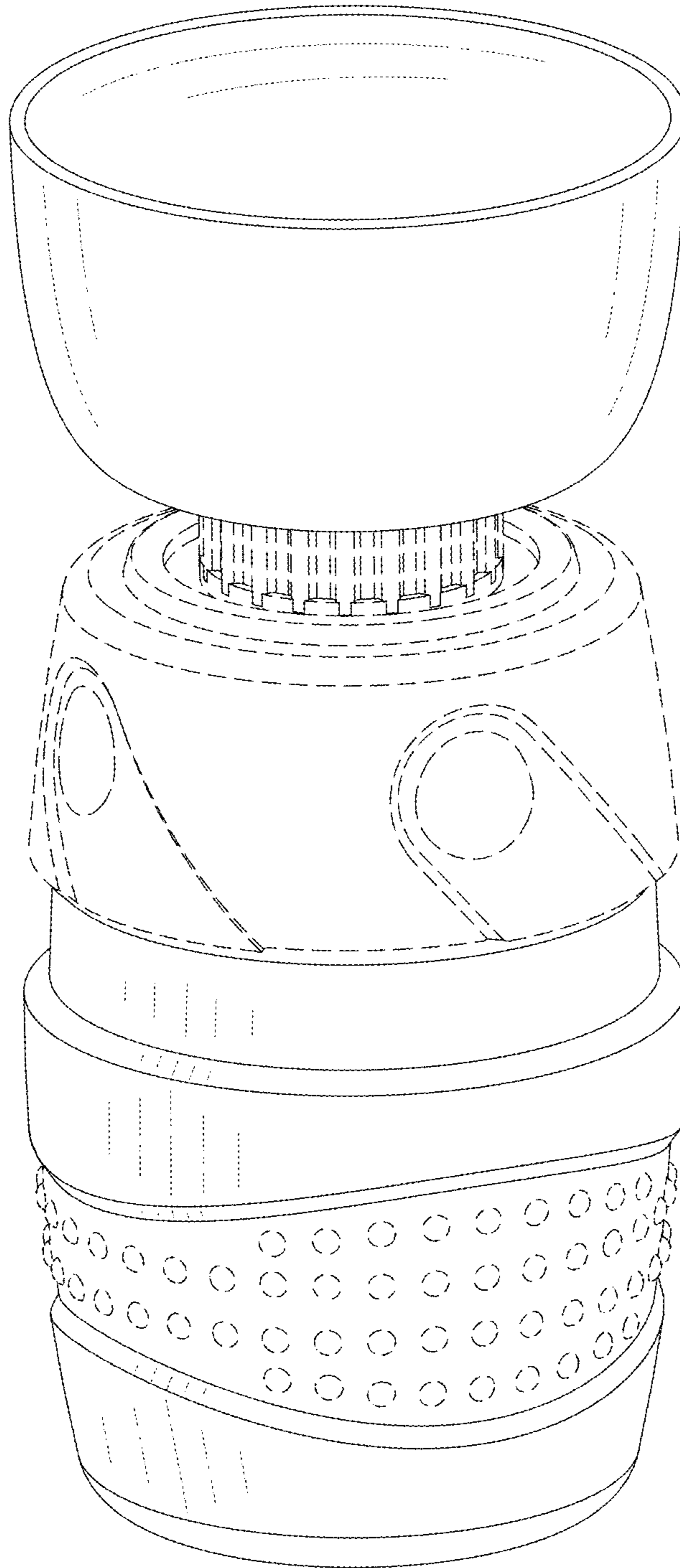


Fig.15



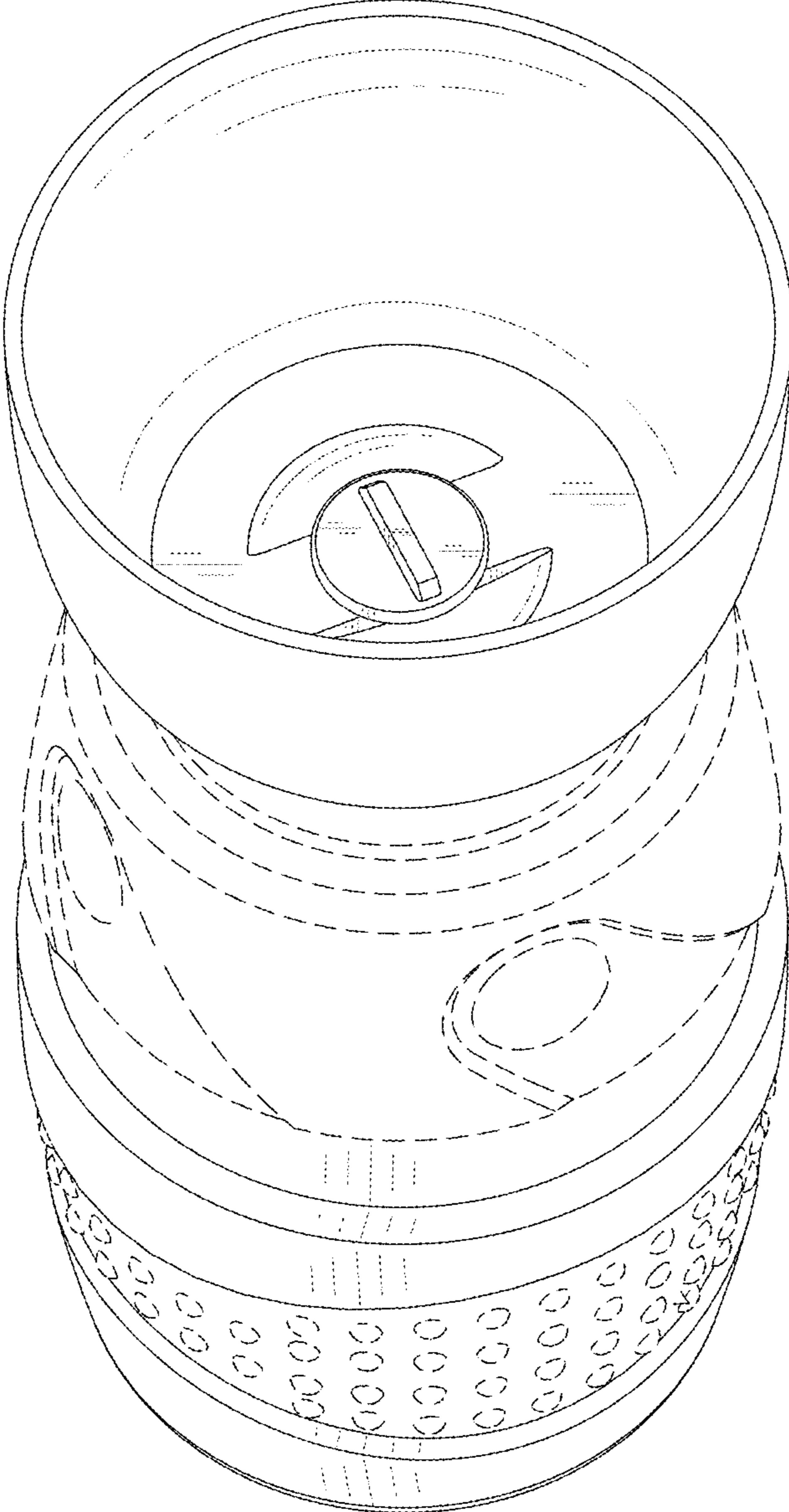


Fig.16

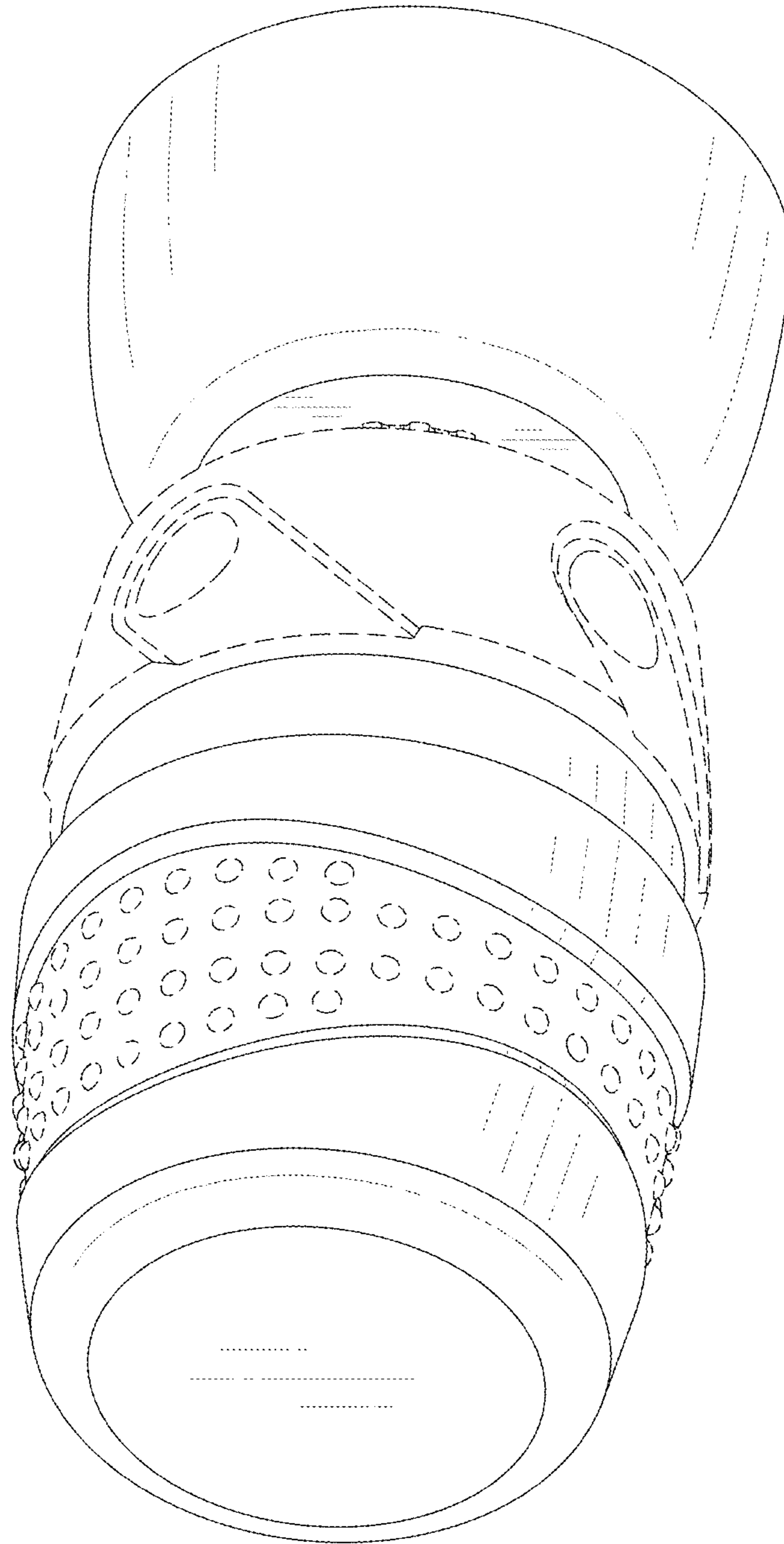


Fig.17