



US00D942706S

(12) **United States Design Patent** (10) **Patent No.:** **US D942,706 S**
Mastic (45) **Date of Patent:** **** Feb. 1, 2022**

(54) **DOG BOWL INSERT**
(71) Applicant: **Debra Mastic**, Longmont, CO (US)
(72) Inventor: **Debra Mastic**, Longmont, CO (US)
(**) Term: **15 Years**
(21) Appl. No.: **29/735,870**
(22) Filed: **May 26, 2020**
(51) **LOC (13) Cl.** **30-03**
(52) **U.S. Cl.**
USPC **D30/129**
(58) **Field of Classification Search**
USPC D30/121, 122, 129-133, 199; 119/51.01,
119/51.02, 51.03, 51.11, 51.15, 51.5, 70,
119/52.1, 52.3, 52.4, 53, 53.5, 54, 57.92,
119/61.1, 61.3, 61.5, 61, 52, 61.53, 61.54,
119/61.55, 68, 72, 73, 74, 75, 78, 174;
D7/553, 555
CPC . A01K 5/00; A01K 7/00; A01K 39/02; A01K
39/04; A01K 39/0213; A01K 5/0114;
A01K 5/0121; A01K 5/0135; A01K 7/005
See application file for complete search history.

(56) **References Cited**

U.S. PATENT DOCUMENTS

3,176,656 A	4/1965	Bates	
D337,862 S	7/1993	Leopold	
5,975,016 A	11/1999	Wesenhagen	
6,089,187 A	7/2000	Gaspary	
6,786,177 B1	9/2004	Lemkin	
D744,174 S	11/2015	Jones et al.	
D787,135 S	5/2017	Green	
D793,163 S *	8/2017	Goldmeier	D7/504
D798,068 S	9/2017	Iqbal et al.	
D798,617 S	10/2017	Iqbal et al.	
D805,796 S	12/2017	Bougay	
D811,666 S	2/2018	Lopez	
D820,536 S	6/2018	Nishihara	
D820,625 S	6/2018	Steinmeijer	
D825,115 S	8/2018	Gevaert	

D830,647 S	10/2018	Le	
D830,750 S	10/2018	Hiyoshi et al.	
D830,752 S	10/2018	Hiyoshi et al.	
D836,360 S	12/2018	Novak	
D846,816 S	4/2019	Tsengas	
D853,742 S	7/2019	Novak	
D854,759 S	7/2019	Elliott et al.	
D874,071 S *	1/2020	Gevaert	D30/129
D890,541 S	7/2020	Bray	
D892,413 S *	8/2020	Mastic	D30/129
D904,695 S *	12/2020	Becattini, Jr.	D30/129
D905,913 S *	12/2020	Ruggles	D30/132
D915,685 S *	4/2021	Mastic	D30/129

(Continued)

OTHER PUBLICATIONS

“Meet Debra Mastic” available Jul. 26, 2021, [online], [site visited Sep. 22, 2021]. Retrieved from Internet, URL:https://yellowdogdenver.com/pawprint-chats-meet-debra-mastic-of-fluff-troughs/ (Year: 2021).*

(Continued)

Primary Examiner — W. A. Teddy Falloway
Assistant Examiner — Katrina N Gonzalez
(74) *Attorney, Agent, or Firm* — Polson Intellectual Property Law, PC; Margaret Polson; Christopher Sylvain

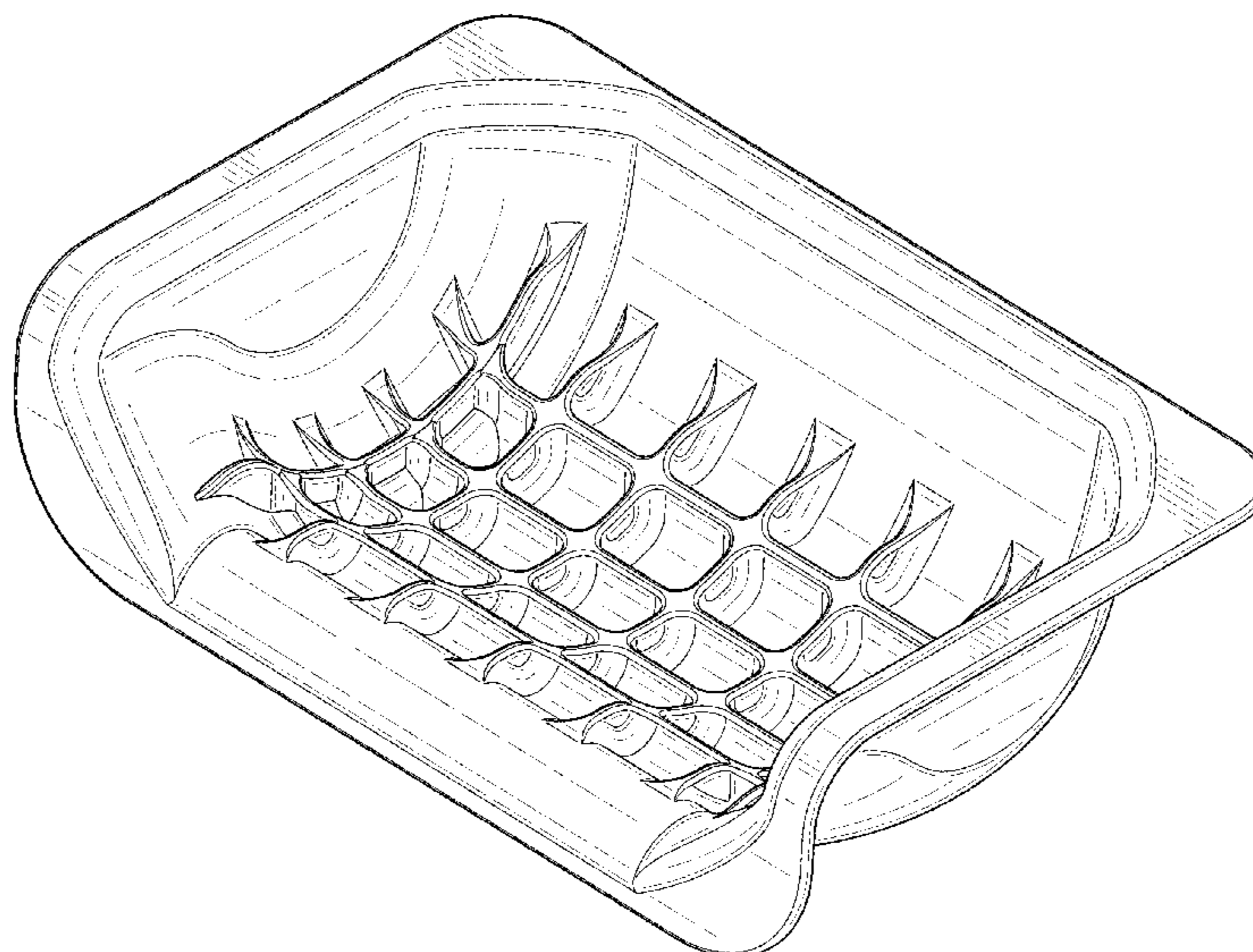
(57) **CLAIM**

The ornamental design for a dog bowl insert, as shown.

DESCRIPTION

FIG. 1 is a top, front and right side perspective view of a dog bowl insert;
FIG. 2 is a bottom, rear and left side perspective view thereof;
FIG. 3 is a front elevational view thereof;
FIG. 4 is a rear elevational view thereof;
FIG. 5 is a left side elevational view thereof;
FIG. 6 is a right side elevational view thereof;
FIG. 7 is a top plan view thereof; and,
FIG. 8 is a bottom plan view thereof.

1 Claim, 8 Drawing Sheets



(56)

References Cited

U.S. PATENT DOCUMENTS

2002/0092476 A1 7/2002 Vlack et al.
 2005/0115508 A1 6/2005 Little
 2007/0089678 A1 4/2007 Greenwood
 2009/0241844 A1 10/2009 Becattini, Jr. et al.
 2013/0019808 A1* 1/2013 Lathim A01K 5/0135
 119/51.01
 2015/0114302 A1 4/2015 Haris

OTHER PUBLICATIONS

“Binge Blocker (Slow Dog Feeder) Extra Insert _ FluffTrough” available Sep. 22, 2021, [online], [site visited Sep. 22, 2021]. Retrieved from Internet, URL:<https://www.flufftrough.com/collections/accessories/products/binge-blocker-inserts> (Year: 2021).*

“Fluff Trough Facebook” available Dec. 30, 2019, [online], [site visited Sep. 22, 2021]. Retrieved from Internet, URL:<https://www.facebook.com/flufftrough/photos/a.988050601582671/1228121640908898/?type=3> (Year: 2019).*

“Fluff Trough” available Mar. 6, 2020, [online], [site visited Sep. 22, 2021]. Retrieved from Internet, URL:<https://www.facebook.com/flufftrough/photos/a.979296492458082/1288170284904033/?type=3> (Year: 2021).*

Debra Mastic, “The Fluff Trough: Elevate Your Pet’s Dining Experience”, Kickstarter campaign (Jan. 4, 2019) <www.kickstarter.com/projects/flufftrough/the-fluff-trough-elevate-your-pets-dining-experience>.
 Design U.S. Appl. No. 29/667,981, filed Oct. 26, 2018 (Mastic).
 Design U.S. Appl. No. 29/740,454, filed Jul. 3, 2020 (Mastic).

* cited by examiner

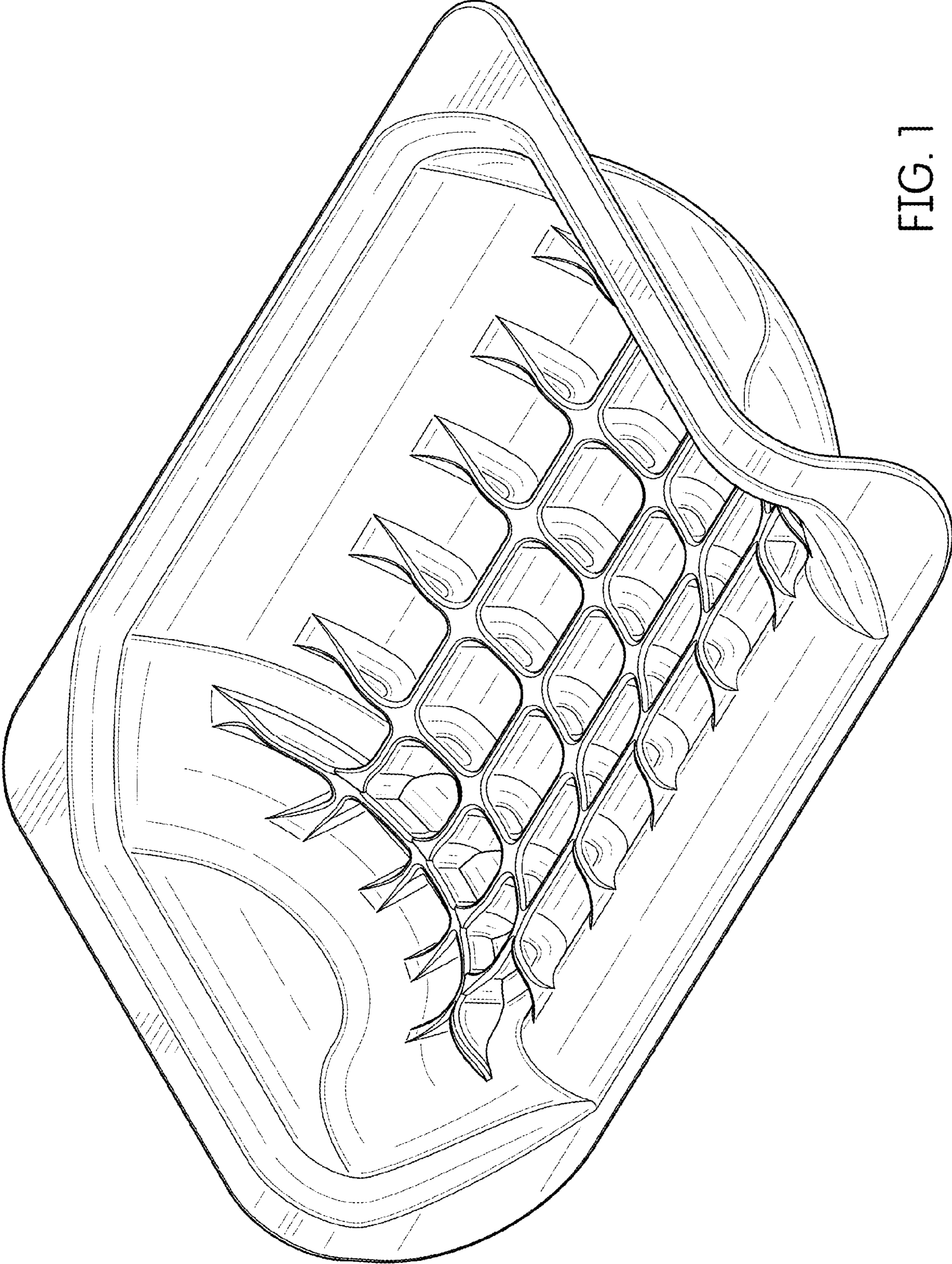


FIG. 1



FIG. 2

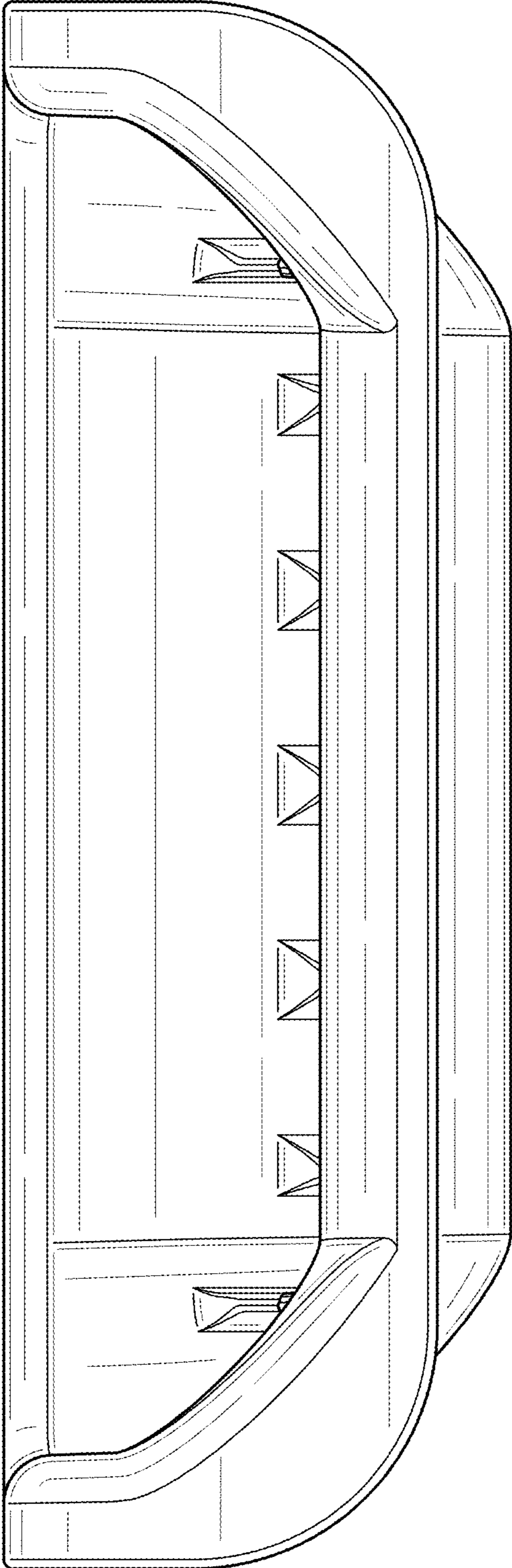


FIG. 3

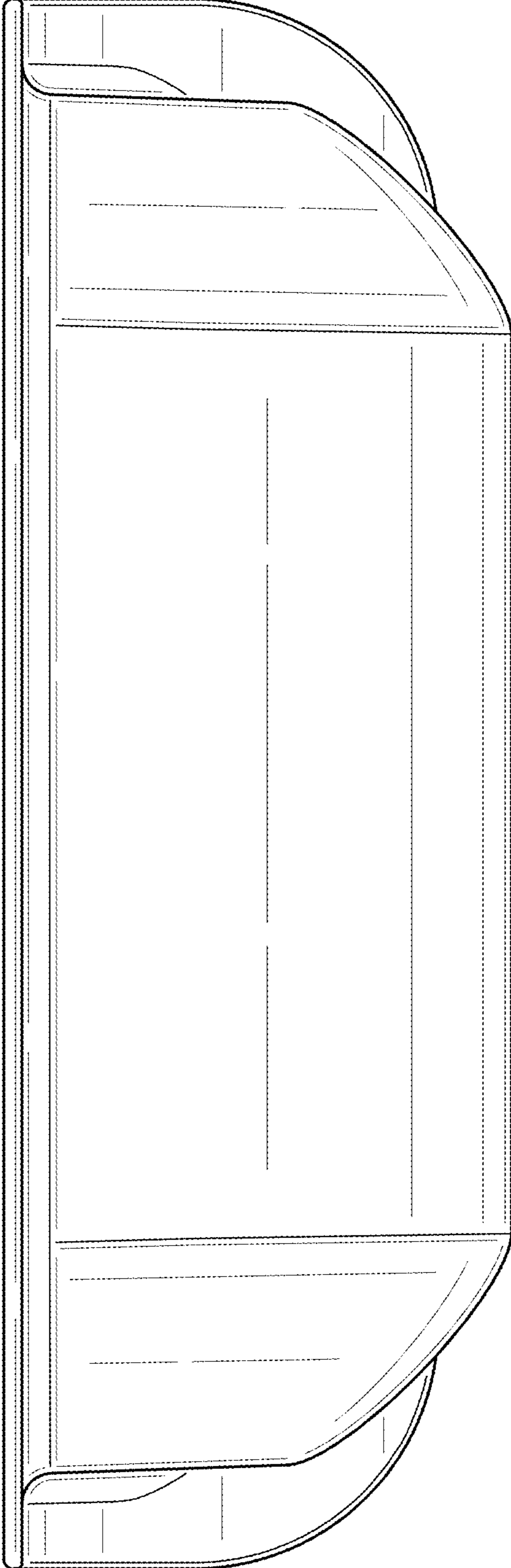


FIG. 4

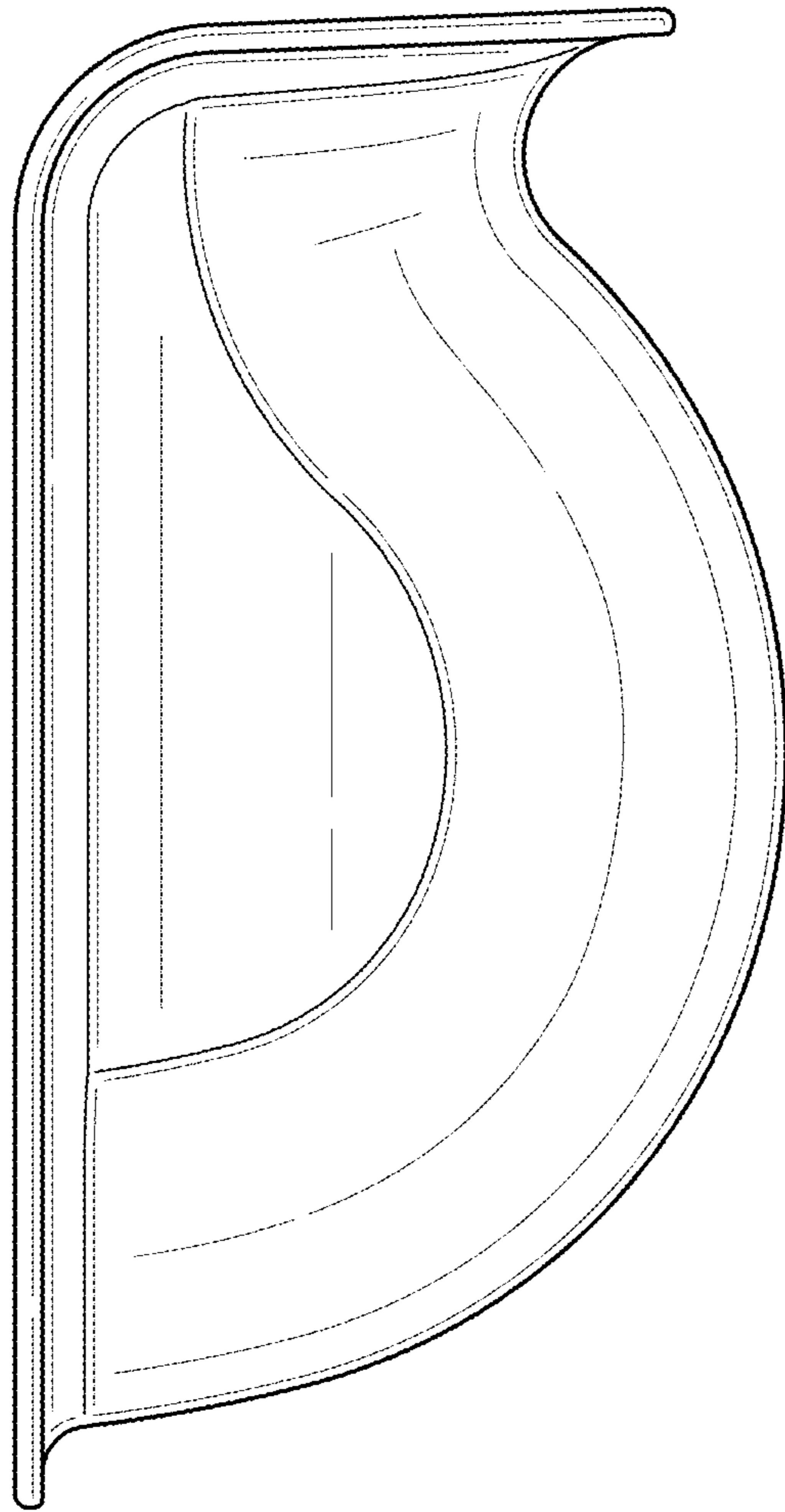


FIG. 5

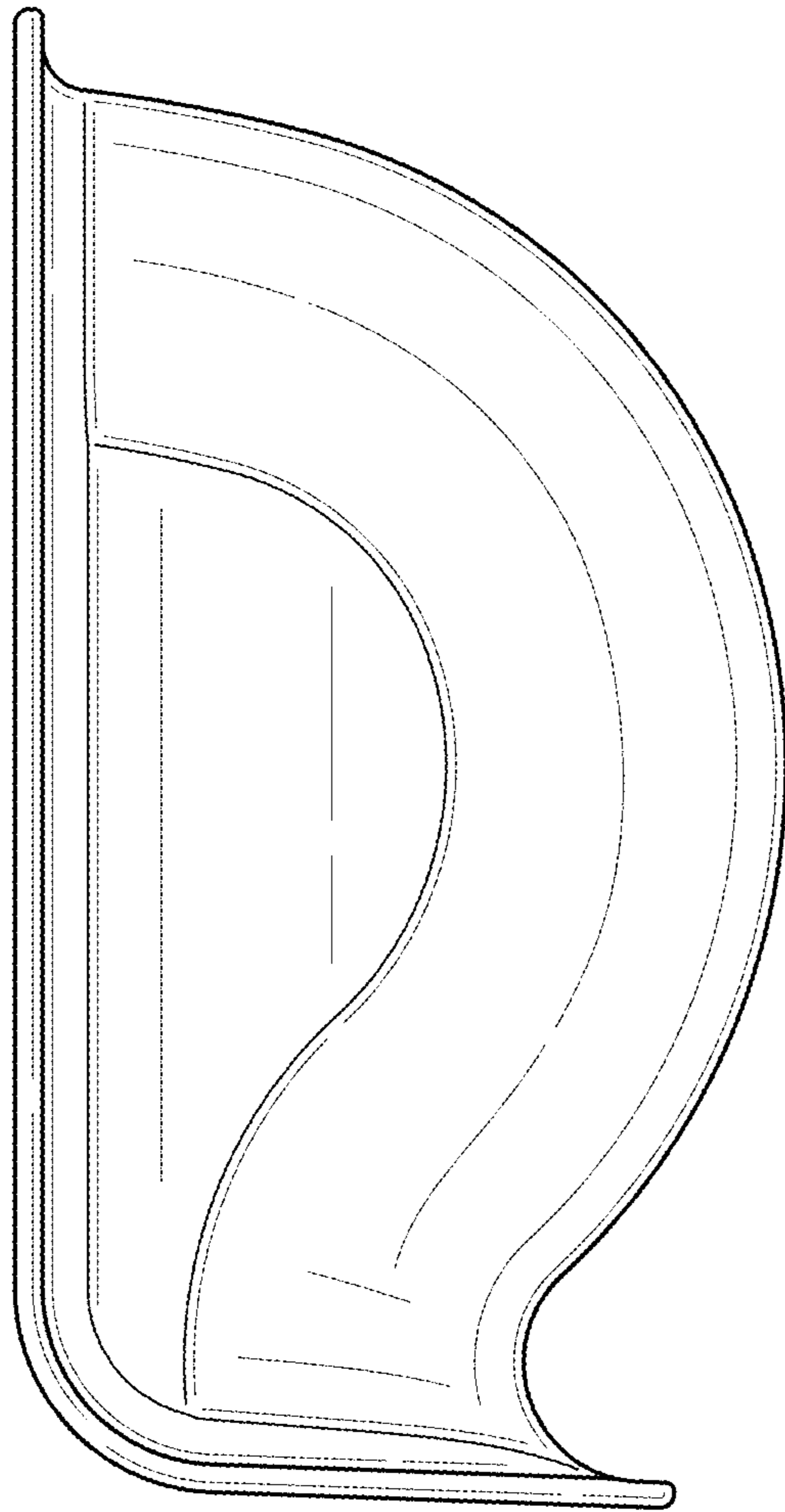


FIG. 6

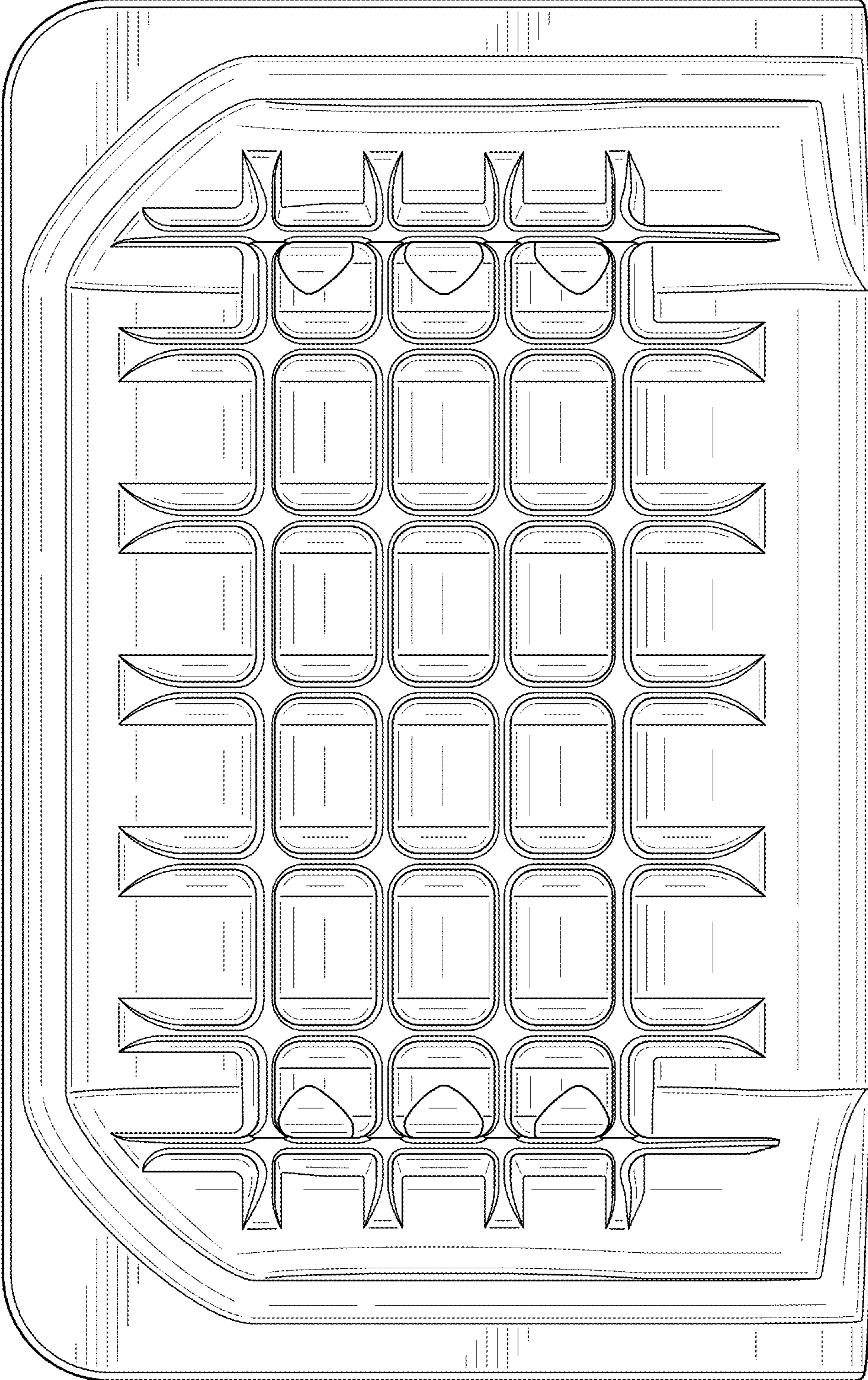


FIG. 7

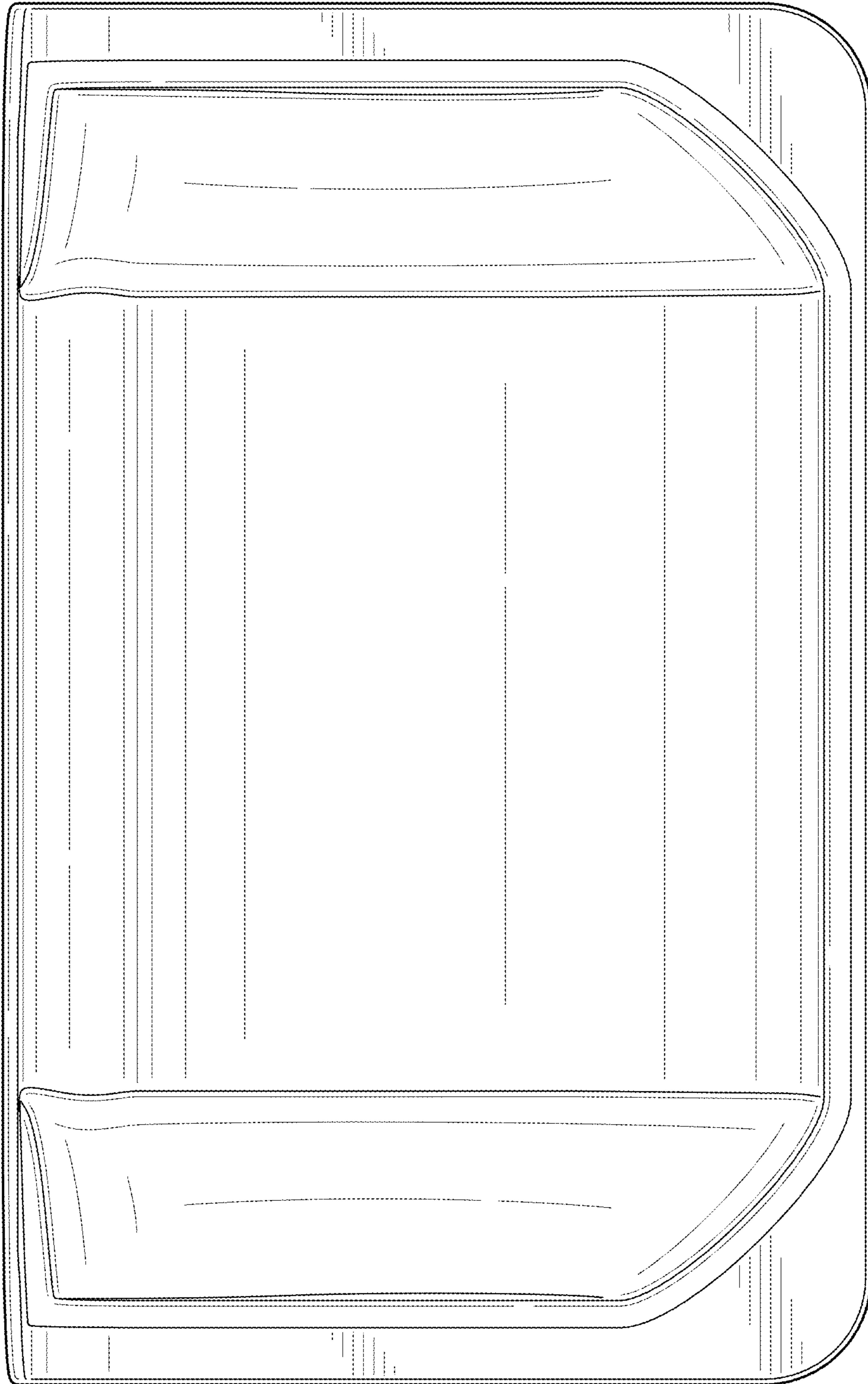


FIG. 8