



US00D942705S

(12) **United States Design Patent** (10) **Patent No.:** **US D942,705 S**
Tu (45) **Date of Patent:** **** Feb. 1, 2022**

(54) **AUTOMATIC FEEDING DEVICE FOR ANIMALS**

(71) Applicant: **Zhushi Tu**, Hubei (CN)

(72) Inventor: **Zhushi Tu**, Hubei (CN)

(**) Term: **15 Years**

(21) Appl. No.: **29/753,169**

(22) Filed: **Sep. 30, 2020**

(30) **Foreign Application Priority Data**

Aug. 11, 2020 (CN) 202030453354.8

(51) **LOC (13) Cl.** **30-07**

(52) **U.S. Cl.**
USPC **D30/122**

(58) **Field of Classification Search**

USPC D30/121, 122, 129–133, 120; 119/61.5, 119/51.01, 61.56, 51.03, 59, 62, 63, 51.5, 119/57.8, 74, 61.54, 61.55, 53, 53.5, 75, 119/56.2, 51.02, 51.11, 51.12, 57.1, 52.1, 119/515; 312/204; 248/151, 188; 108/156, 153.1–157; 220/23.87, 630, 220/737, 743, 9.4, 495.01, 574, 212, 255, 220/23.83; 206/515; D7/586, 543, D7/550.1, 587, 505, 584, 545, 500, D7/553.1–553.8, 546, 555, 556, 504, 565, D7/562, 602, 605, 312, 313, 320, 307, D7/306, 309, 354, 311, 399, 397, 323, D7/332, 331, 347, 346, 322, 318, 317, D7/316, 619.1; D9/429; 43/109; D22/122; 99/430, DIG. 15, 280, 285, 99/312; 222/209, 131, 363, 349, 517, 222/153.13, 401, 1, 146.5, 23, 54, 64, 51, 222/156, 399, 400.8; 219/438, 439, 441, 219/385, 386, 402, 407; 210/94, 184, 210/474, 477; D21/578; D15/199
CPC A01K 5/02; A01K 5/0225; A01K 5/0114; A01K 5/025; A01K 5/0266; A01K 5/0275; A01K 5/0283; A01K 5/0291; A01K 5/0258; A01K 5/0142; A01K

5/0233; A01K 29/00; A01K 7/00; G01F 11/24; G01F 23/02; B67D 1/0425; B67D 1/04; B67D 1/00; B67D 1/02; B67D 1/0871; B67D 1/0802; A47J 41/0033; A47J 41/005; A47J 41/0088; A47J 41/0094; A47J 31/04; A47J 31/053; B05B 11/00; B05B 11/0002; B05B 11/0005; B05B 11/001; C02F 1/003; C02F 1/283; C02F 2307/02

See application file for complete search history.

(56) **References Cited**

U.S. PATENT DOCUMENTS

4,717,364 A * 1/1988 Furukawa A63H 11/00 367/198
D348,336 S * 6/1994 Woo D30/122

(Continued)

Primary Examiner — Susan Moon Lee

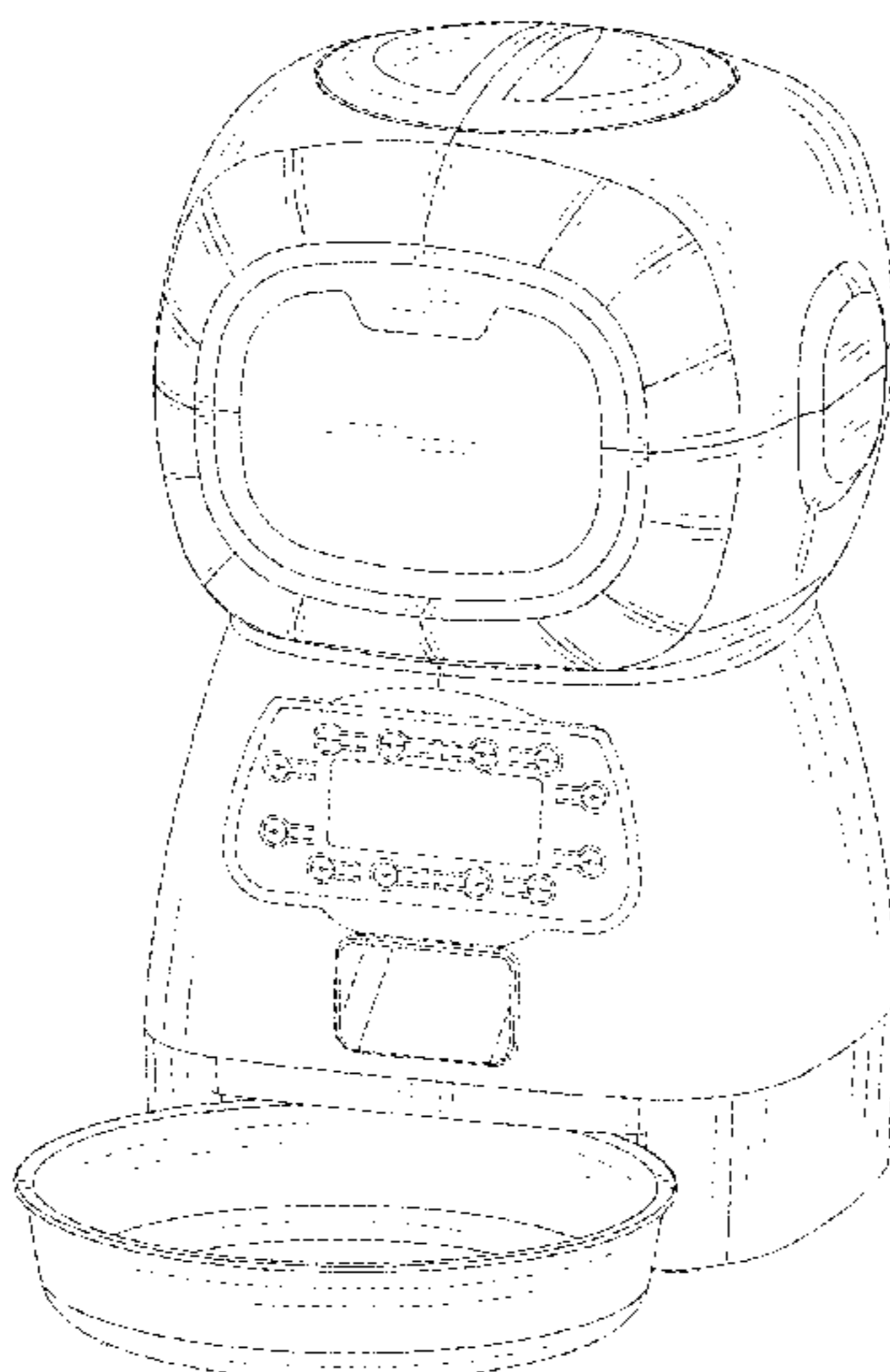
(57) **CLAIM**

The ornamental design for an automatic feeding device for animals, as shown and described.

DESCRIPTION

FIG. 1 is a front elevational view of an automatic feeding device for animals showing my new design; FIG. 2 is a rear elevational view thereof; FIG. 3 is a left side view thereof; FIG. 4 is a right side view thereof; FIG. 5 is a top plan view thereof; FIG. 6 is a bottom plan view thereof; FIG. 7 is a top, front and right side perspective view thereof; and, FIG. 8 is a top, rear and left side perspective view thereof. The broken lines in the drawings illustrate portions of the automatic feeding device for animals which form no part of the claimed design.

1 Claim, 8 Drawing Sheets



(56)

References Cited

U.S. PATENT DOCUMENTS

D371,643 S *	7/1996	Lillelund	D30/122	D851,148 S *	6/2019	Wang	D15/199
D450,788 S *	11/2001	Kawasaki	D21/578	D852,286 S *	6/2019	Chen	D21/578
D464,382 S *	10/2002	Hornsby	D21/578	D852,860 S *	7/2019	Lee	D15/199
D490,486 S *	5/2004	Hornsby	D21/578	D852,861 S *	7/2019	Lee	D15/199
D504,545 S *	4/2005	Morosin	A01K 5/0114	D855,094 S *	7/2019	Li	D15/199
				D30/122	D866,627 S *	11/2019	Yun	D15/199
D549,756 S *	8/2007	Park	D15/199	D867,477 S *	11/2019	He	D21/578
7,426,901 B2 *	9/2008	Turner	A01K 5/0291	D868,907 S *	12/2019	Liu	D21/578
				119/51.02	D876,022 S *	2/2020	Hua	D30/122
D579,035 S *	10/2008	Kim	B25J 11/008	D877,424 S *	3/2020	Xu	D30/122
				D15/199	D877,788 S *	3/2020	Yun	D15/199
7,720,572 B2 *	5/2010	Ziegler	G16H 20/00	D878,490 S *	3/2020	Hayashi	D21/578
				700/245	D879,853 S *	3/2020	Baba	D15/199
D635,603 S *	4/2011	Paz Rodriguez	D15/199	D881,249 S *	4/2020	Kim	D15/199
D666,049 S *	8/2012	Struzka	D7/306	D881,250 S *	4/2020	Yao	D15/199
D685,438 S *	7/2013	Fan	D21/578	D882,705 S *	4/2020	Lee	D21/578
D710,953 S *	8/2014	Katsutani	D21/578	D883,402 S *	5/2020	Lee	D21/578
D731,124 S *	6/2015	Shin	D30/122	D884,986 S *	5/2020	Chen	D30/122
D746,886 S *	1/2016	Breazeal	D15/199	10,660,304 B2 *	5/2020	Huang	A01K 5/0291
D761,894 S *	7/2016	Ho	D15/199	D888,346 S *	6/2020	Jiang	D30/122
D793,145 S *	8/2017	Huang	D7/306	D892,233 S *	8/2020	Miao	D21/578
D809,040 S *	1/2018	Webb, II	D15/199	D894,248 S *	8/2020	Kim	D15/199
D810,490 S *	2/2018	Cha	D7/306	D896,291 S *	9/2020	Xing	D15/199
D813,285 S *	3/2018	Wei	D15/199	D907,306 S *	1/2021	Tang	D30/122
D822,740 S *	7/2018	Tsai	D15/199	D916,161 S *	4/2021	Michaelian	D15/199
D822,770 S *	7/2018	Hsiao	D21/578	D930,726 S *	9/2021	Vaswani	D15/199
D825,010 S *	8/2018	Osentoski	D21/578	D932,110 S *	9/2021	Tang	D30/122
D835,693 S *	12/2018	Lee	D15/199	D933,728 S *	10/2021	Zhang	D15/199
D836,690 S *	12/2018	Kim	D15/199	2005/0252457 A1 *	11/2005	Morosin	A01K 5/0291
D838,758 S *	1/2019	Kymm	D15/199					119/51.13
D840,115 S *	2/2019	Nieves	D30/122	2007/0192910 A1 *	8/2007	Vu	B25J 19/06
D840,453 S *	2/2019	Yoo	D15/199					700/245
D840,618 S *	2/2019	Kim	D32/21	2013/0333622 A1 *	12/2013	Jin	A01K 5/0291
D840,620 S *	2/2019	Kim	D32/21					119/51.01
D842,353 S *	3/2019	Lee	D15/199	2016/0059408 A1 *	3/2016	Isobe	B25J 9/162
D843,665 S *	3/2019	Zeng	D30/122					700/253
D844,258 S *	3/2019	Xu	D30/122	2018/0199541 A1 *	7/2018	Huang	A01K 5/0114
					2019/0059319 A1 *	2/2019	Hsiao	A01K 5/0114
					2021/0000069 A1 *	1/2021	Ven	A01K 5/0291

* cited by examiner

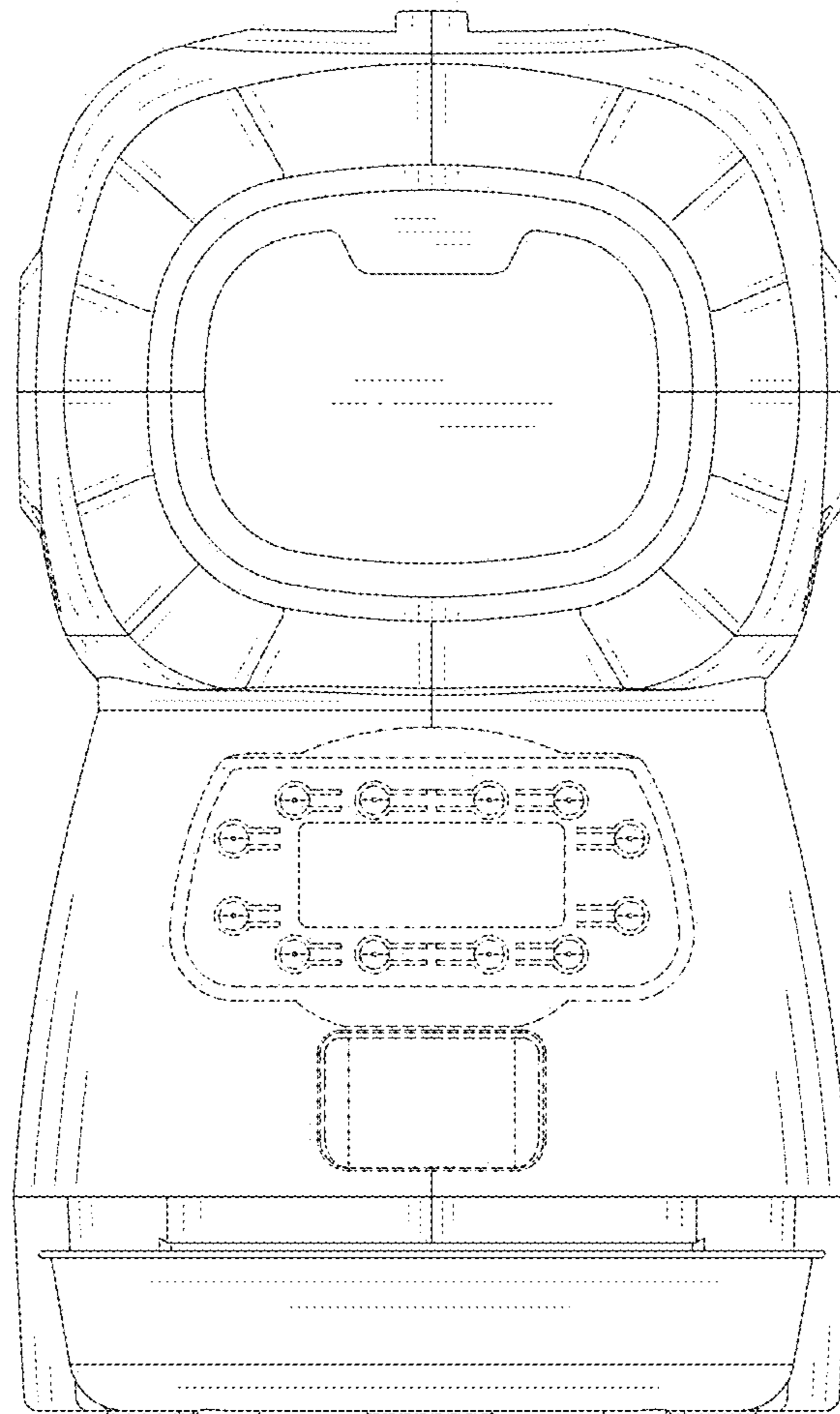


Fig. 1

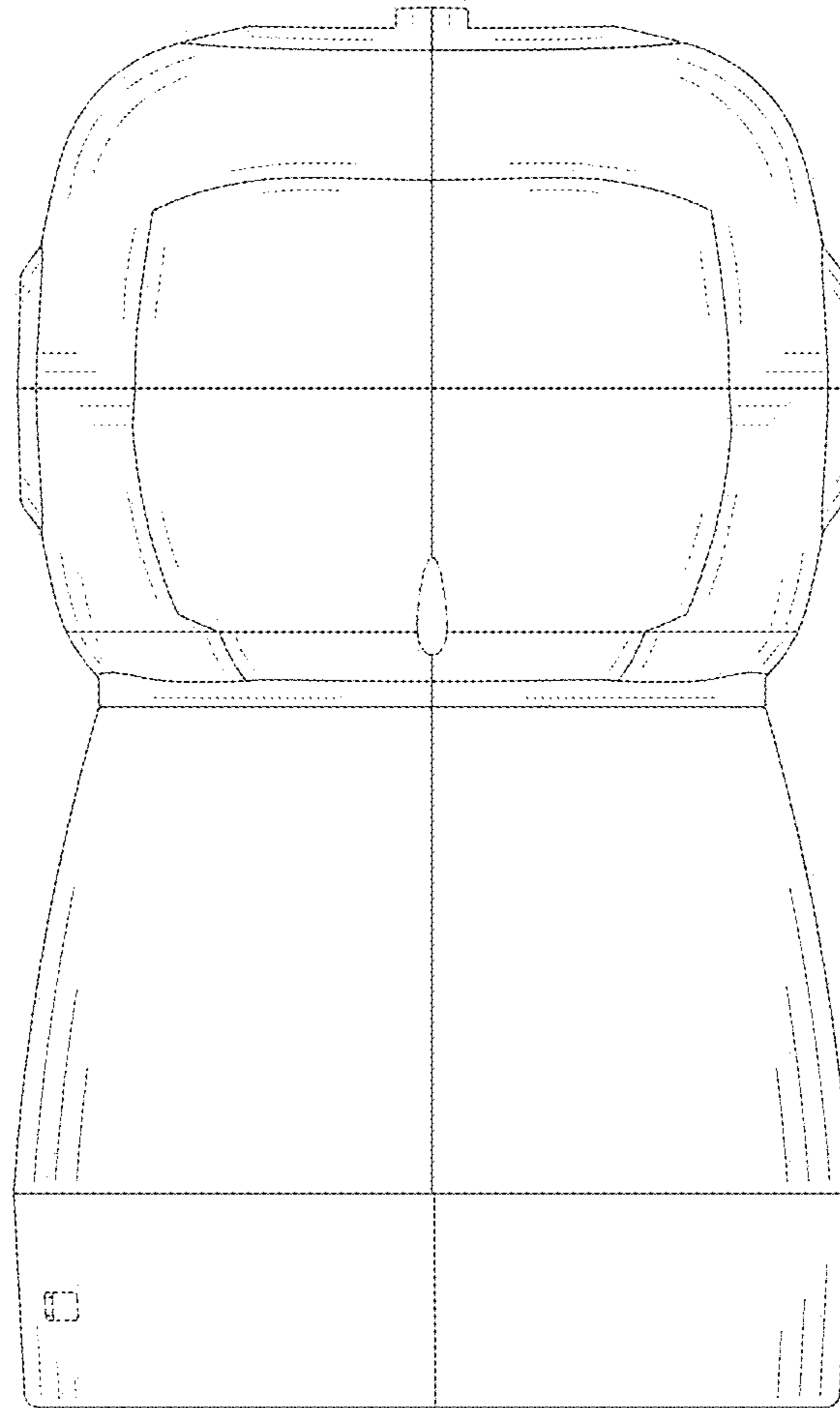


Fig. 2

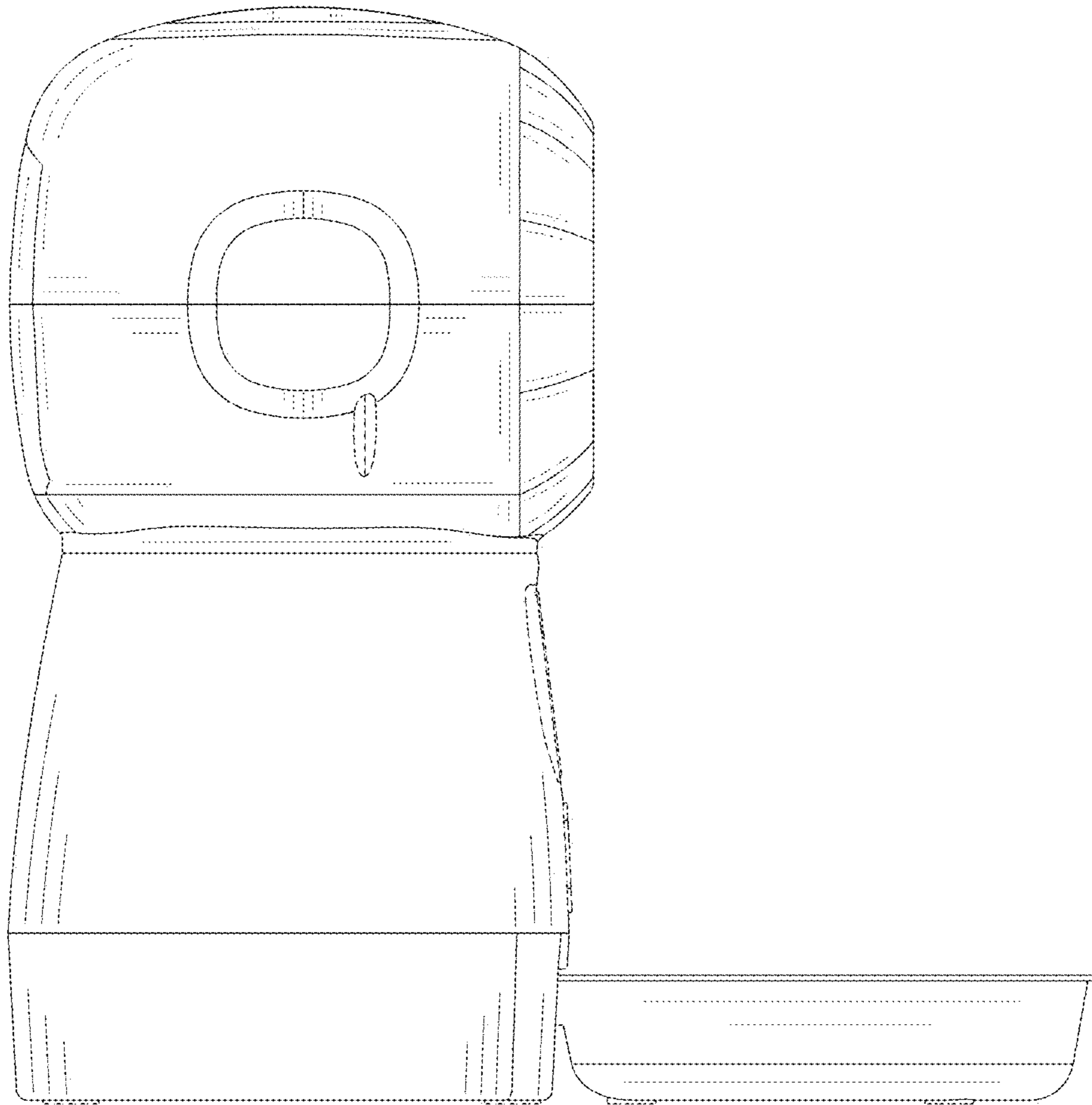


Fig. 3

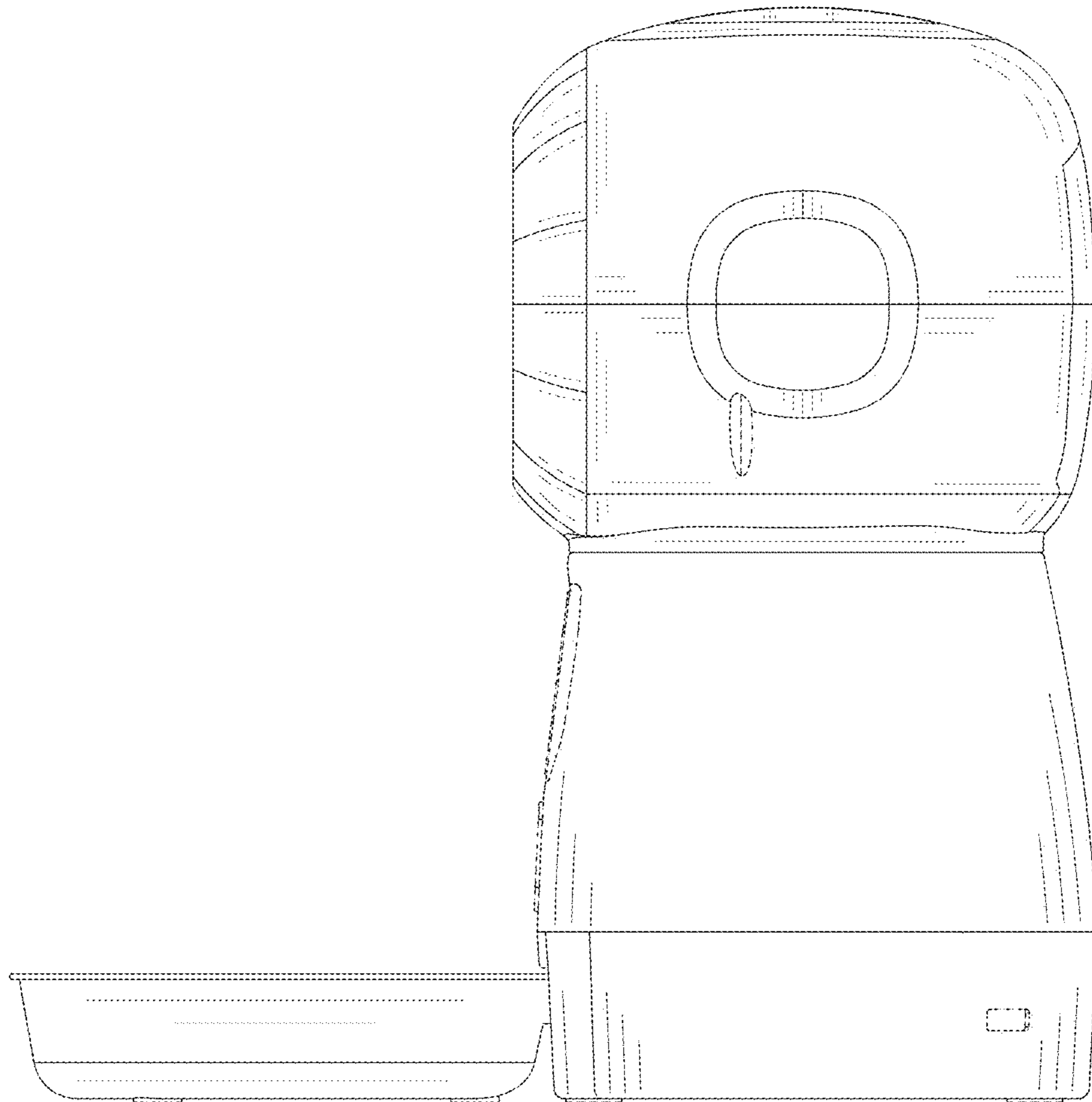


Fig. 4

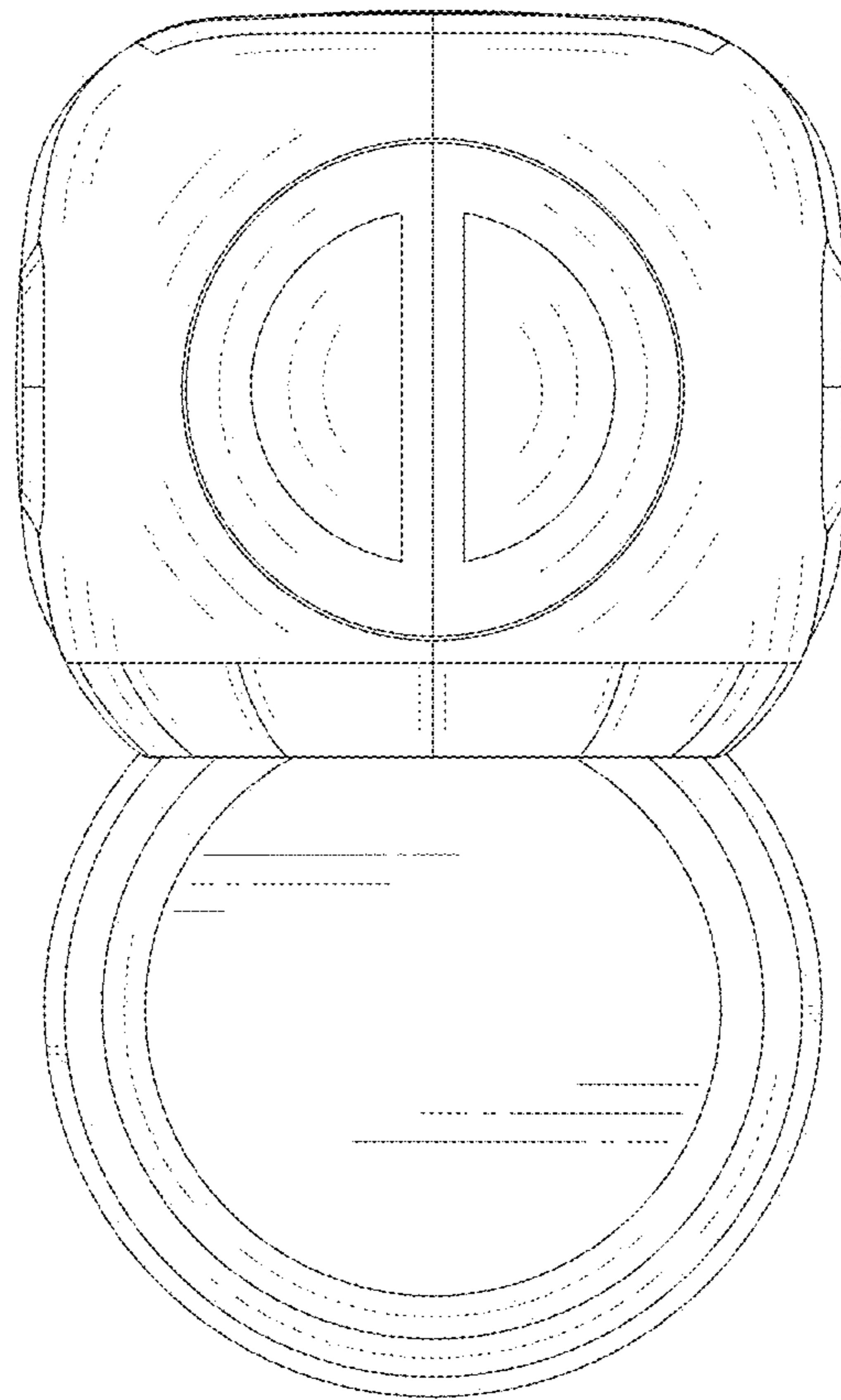


Fig. 5

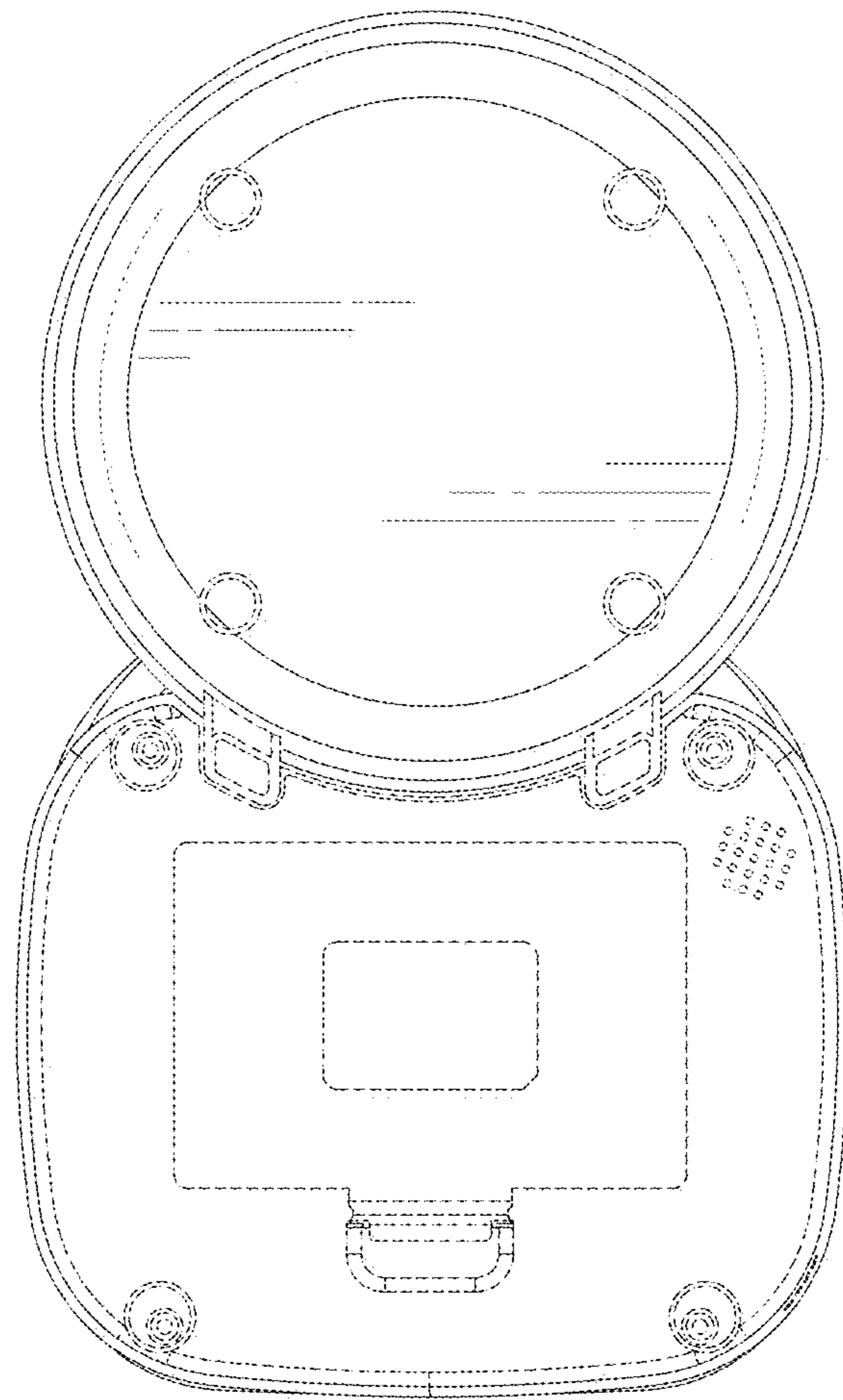


Fig. 6

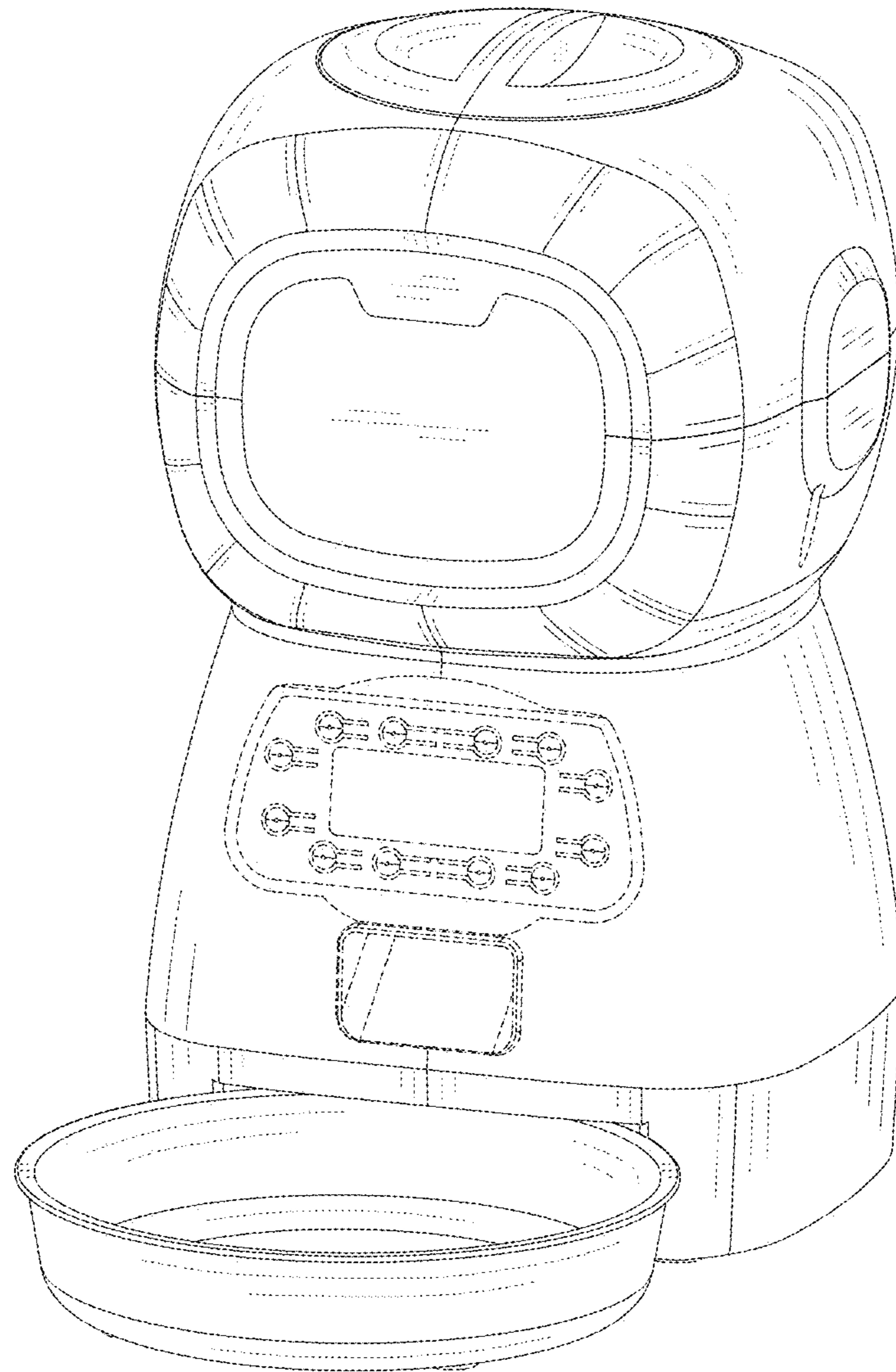


Fig. 7



Fig. 8