



US00D942704S

(12) **United States Design Patent**
Rouzaud

(10) **Patent No.:** **US D942,704 S**

(45) **Date of Patent:** **** Feb. 1, 2022**

(54) **CAT BED**

(71) Applicant: **Victor M. Rouzaud**, Corona, CA (US)

(72) Inventor: **Victor M. Rouzaud**, Corona, CA (US)

(**) Term: **15 Years**

(21) Appl. No.: **29/732,850**

(22) Filed: **Apr. 28, 2020**

(51) **LOC (13) Cl.** **30-06**

(52) **U.S. Cl.**

USPC **D30/118**

(58) **Field of Classification Search**

USPC D30/118-119, 158, 160, 129-130;
D21/520; D6/382, 406.3, 718

CPC A01K 1/0353; A01K 1/035; A01K 1/0356;
A01K 7/00; A01K 7/005; A01K 39/02;
A01K 39/04; A47G 39/02; A47G 39/04

See application file for complete search history.

(56) **References Cited**

U.S. PATENT DOCUMENTS

D55,838 S	7/1920	Badgley	
D340,322 S	10/1993	Merritt	
D358,008 S	5/1995	Keller et al.	
D368,335 S	3/1996	St. John	
D435,704 S	12/2000	Friberg	
D482,393 S *	11/2003	Hui	D19/116
D487,823 S *	3/2004	Wang	D30/118
D522,183 S *	5/2006	Wylie	D30/118
D531,364 S *	10/2006	Crane	D30/118

D535,062 S	1/2007	McGinley	
D566,346 S *	4/2008	Crone	D30/160
D580,245 S *	11/2008	Mazur	D8/38
D601,855 S *	10/2009	Sandhu	D7/555
D867,688 S *	11/2019	Crane	D30/160
D873,363 S *	1/2020	Hsu	D21/808
D901,720 S *	11/2020	Harrington	D25/48.3
D917,798 S *	4/2021	Xue	D30/159
D919,198 S *	5/2021	Katopis	D30/159
D921,583 S *	6/2021	Vidal	D13/108
D929,672 S *	8/2021	Hoover	D30/160

* cited by examiner

Primary Examiner — Sheryl Lane

Assistant Examiner — Aula Soroush

(74) *Attorney, Agent, or Firm* — Kirk A. Buhler; Buhler & Associates Patenting

(57) **CLAIM**

The ornamental design for a cat bed, as shown and described.

DESCRIPTION

FIG. 1 is a top perspective view of a cat bed showing my new design;

FIG. 2 is a top plan view thereof;

FIG. 3 is a left side elevation view, the right-side elevation view being a mirror image thereof;

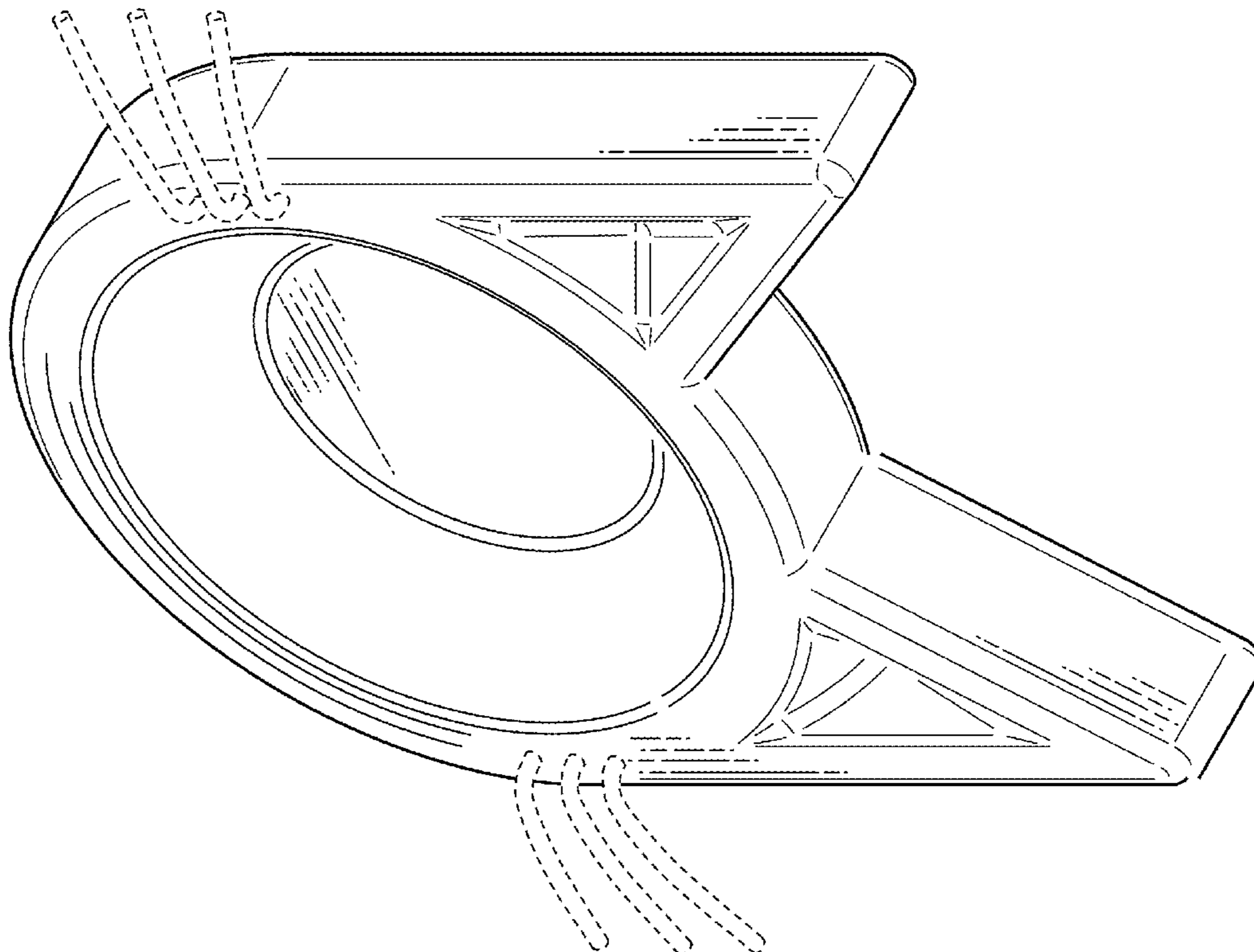
FIG. 4 is a top plan view thereof;

FIG. 5 is a bottom view thereof; and,

FIG. 6 is a bottom perspective view thereof.

The broken lines in the drawings depicts environmental subject matter and form no part of the claimed design.

1 Claim, 4 Drawing Sheets



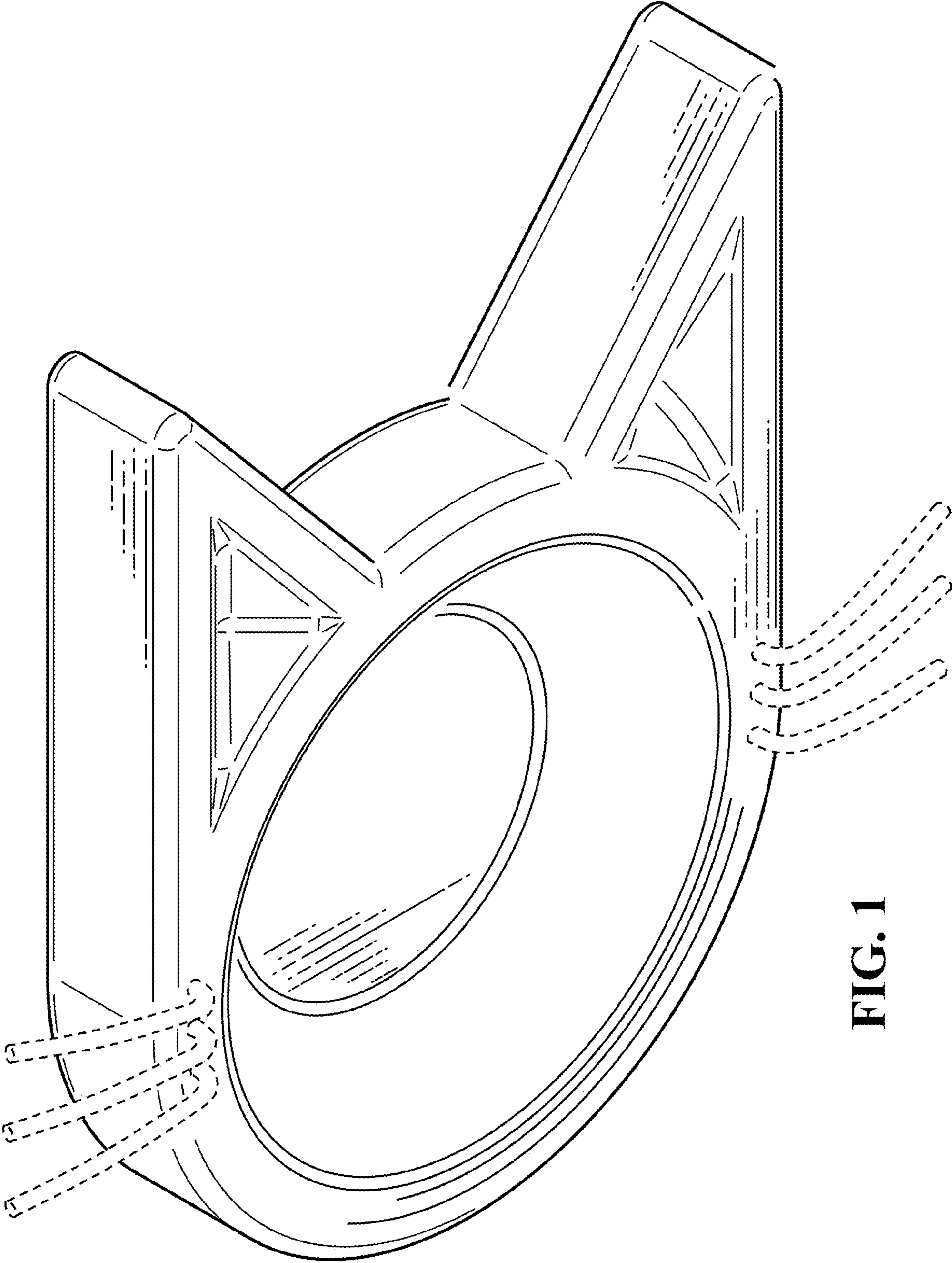


FIG. 1



FIG. 3

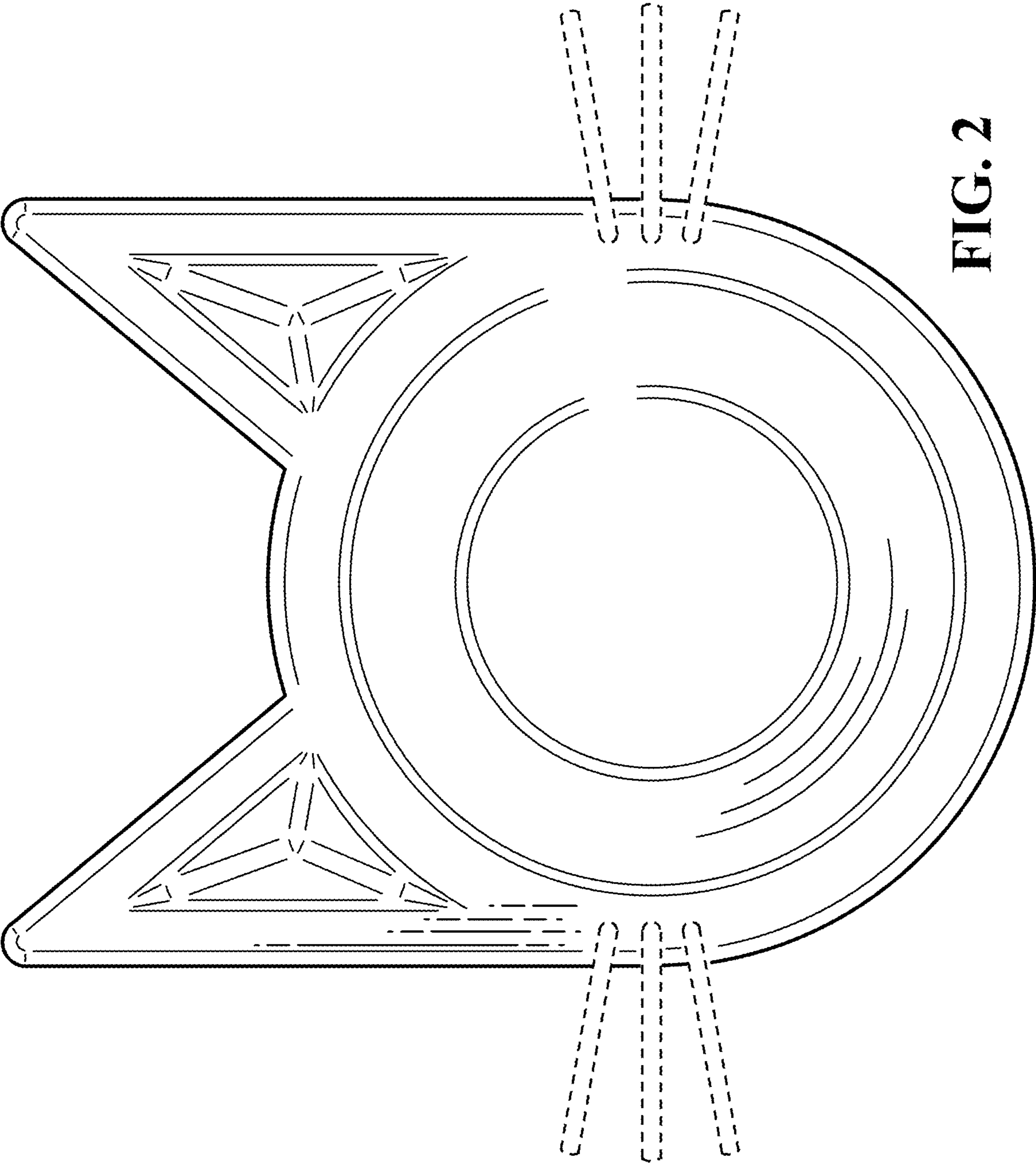


FIG. 2

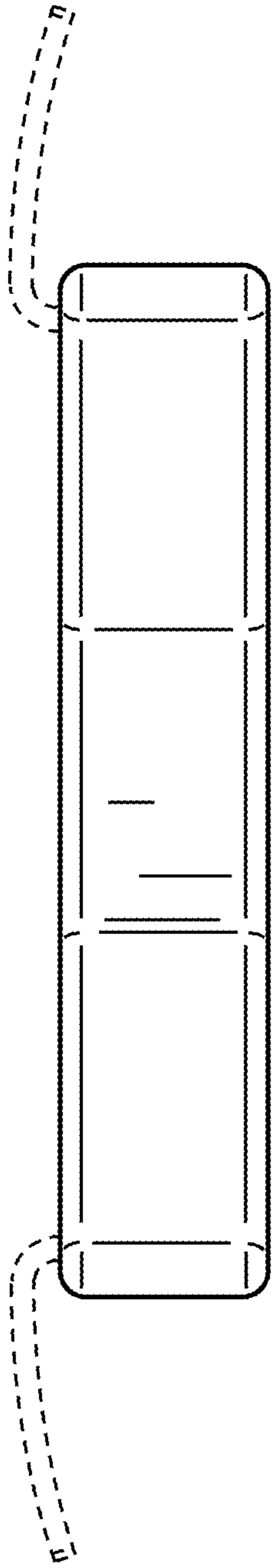


FIG. 4

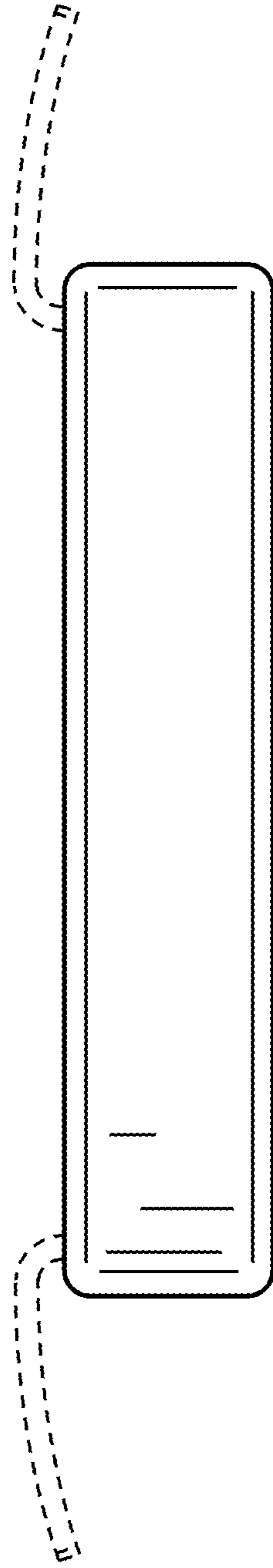


FIG. 5

