

US00D942702S

(12) **United States Design Patent**  
**Paxson et al.**

(10) **Patent No.:** **US D942,702 S**  
(45) **Date of Patent:** **\*\* Feb. 1, 2022**

(54) **DOGHOUSE**  
(71) Applicant: **Doskocil Manufacturing Company, Inc.**, Arlington, TX (US)  
(72) Inventors: **Ryan Paxson**, Elk Rapids, MI (US); **David Veness**, Fort Worth, TX (US)  
(73) Assignee: **DOSKOCIL MANUFACTURING COMPANY, INC.**, Arlington, TX (US)  
(\*\*) Term: **15 Years**

D756,041 S \* 5/2016 Robbins, III ..... D25/19  
D782,755 S \* 3/2017 Veness ..... D30/161  
D815,365 S \* 4/2018 Scariot ..... D30/118  
10,258,019 B1 \* 4/2019 Bogart ..... A01K 1/0114  
10,440,932 B2 \* 10/2019 Dmoch ..... A01K 1/0107  
10,653,106 B2 \* 5/2020 Northrop ..... A01K 1/0107  
2002/0139312 A1 \* 10/2002 Reitz ..... A01K 1/0114  
119/165  
2007/0051323 A1 \* 3/2007 Guard ..... A01K 1/033  
119/482  
2010/0139570 A1 \* 6/2010 Pfingsten ..... A01K 5/0142  
119/63  
2015/0101543 A1 \* 4/2015 Baxter ..... A01K 5/0142  
119/498

(21) Appl. No.: **29/714,217**  
(22) Filed: **Nov. 21, 2019**  
(51) **LOC (13) Cl.** ..... **30-02**  
(52) **U.S. Cl.**  
USPC ..... **D30/108**  
(58) **Field of Classification Search**  
USPC ..... D30/158-161, 108-120; D3/304  
CPC .... A01K 1/011; A01K 1/0107; A01K 1/0125;  
A01K 1/0121; A01K 1/00; A01K 1/035;  
A01K 1/0353; A01K 1/03; A01K 1/033;  
A01K 1/034; A47K 11/02; A47K 11/06;  
A47K 13/00; A47K 13/06; A47K 13/14  
See application file for complete search history.

\* cited by examiner

*Primary Examiner* — Sheryl Lane  
*Assistant Examiner* — Aula Soroush  
(74) *Attorney, Agent, or Firm* — Global IP Counselors, LLP

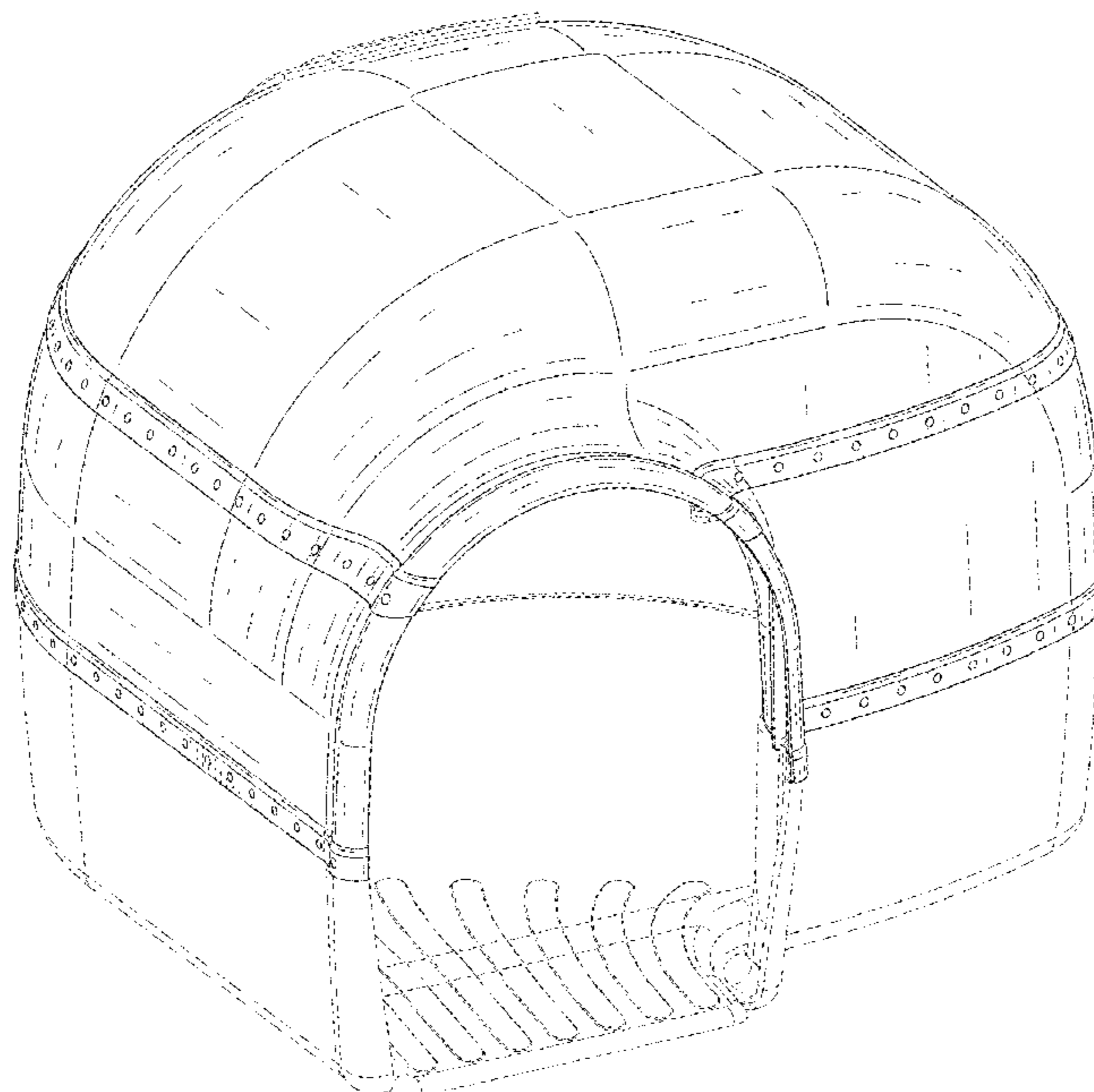
(56) **References Cited**  
U.S. PATENT DOCUMENTS  
5,662,066 A \* 9/1997 Reitz ..... A01K 1/0114  
119/163  
5,713,302 A \* 2/1998 Walter ..... A01K 1/0107  
119/165  
D496,501 S \* 9/2004 Walter ..... D30/161  
D676,613 S \* 2/2013 Chiu ..... D30/117  
D681,885 S \* 5/2013 Pitter ..... D30/121  
D743,117 S \* 11/2015 Shibata ..... D30/161  
D753,886 S \* 4/2016 Veness ..... D30/161

(57) **CLAIM**  
The ornamental design for a doghouse, as shown and described.

**DESCRIPTION**

FIG. 1 is a front perspective view of a doghouse showing our new design;  
FIG. 2 is a rear perspective view of a doghouse thereof;  
FIG. 3 is a top view thereof;  
FIG. 4 is a bottom view thereof;  
FIG. 5 is a right side elevation view thereof;  
FIG. 6 is a left side elevation view thereof;  
FIG. 7 is a front elevation view thereof; and,  
FIG. 8 is a rear elevation view thereof.  
The broken lines in the drawings illustrate portions of the doghouse that form no part of the claimed design.

**1 Claim, 8 Drawing Sheets**



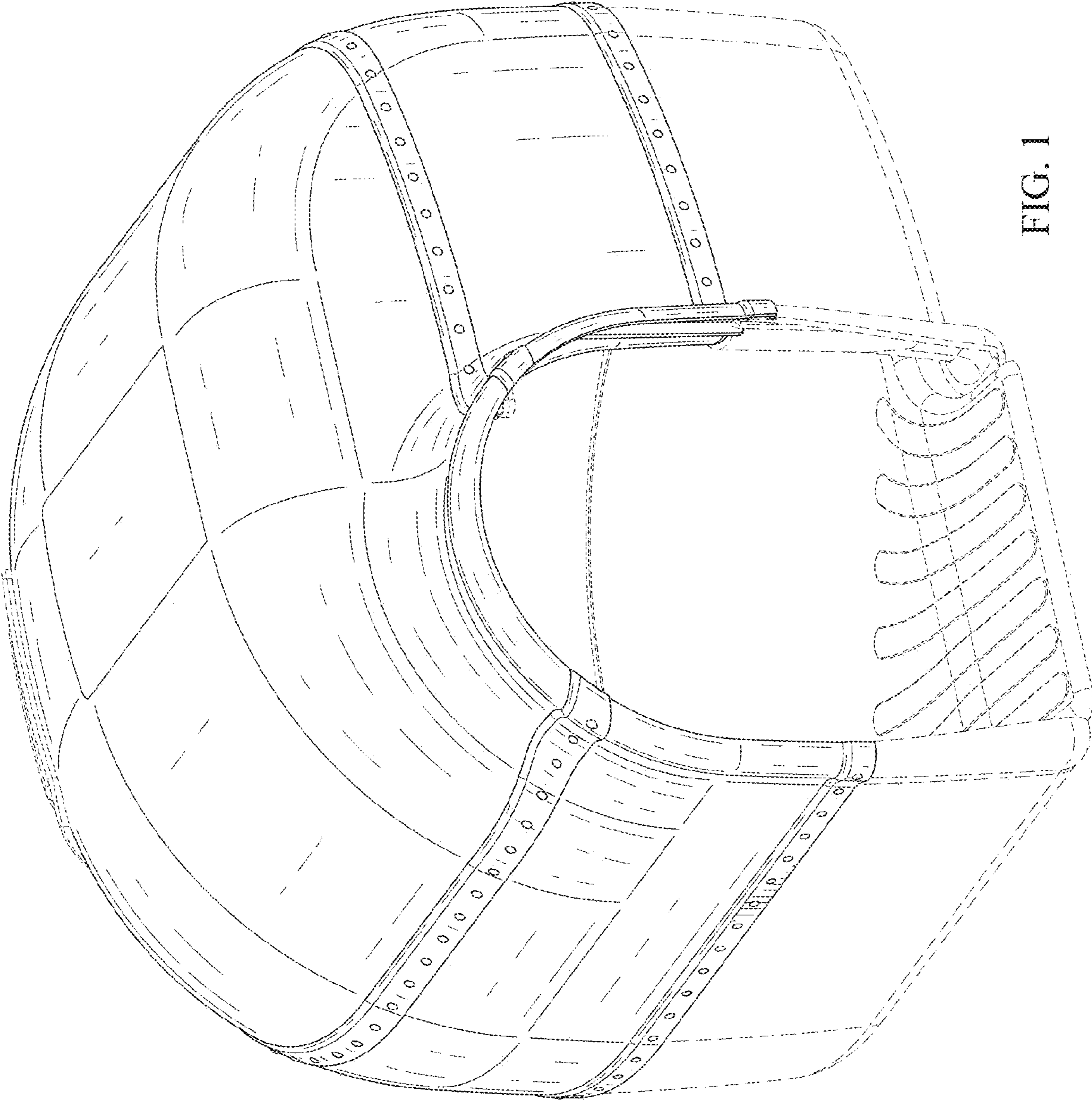


FIG. 1

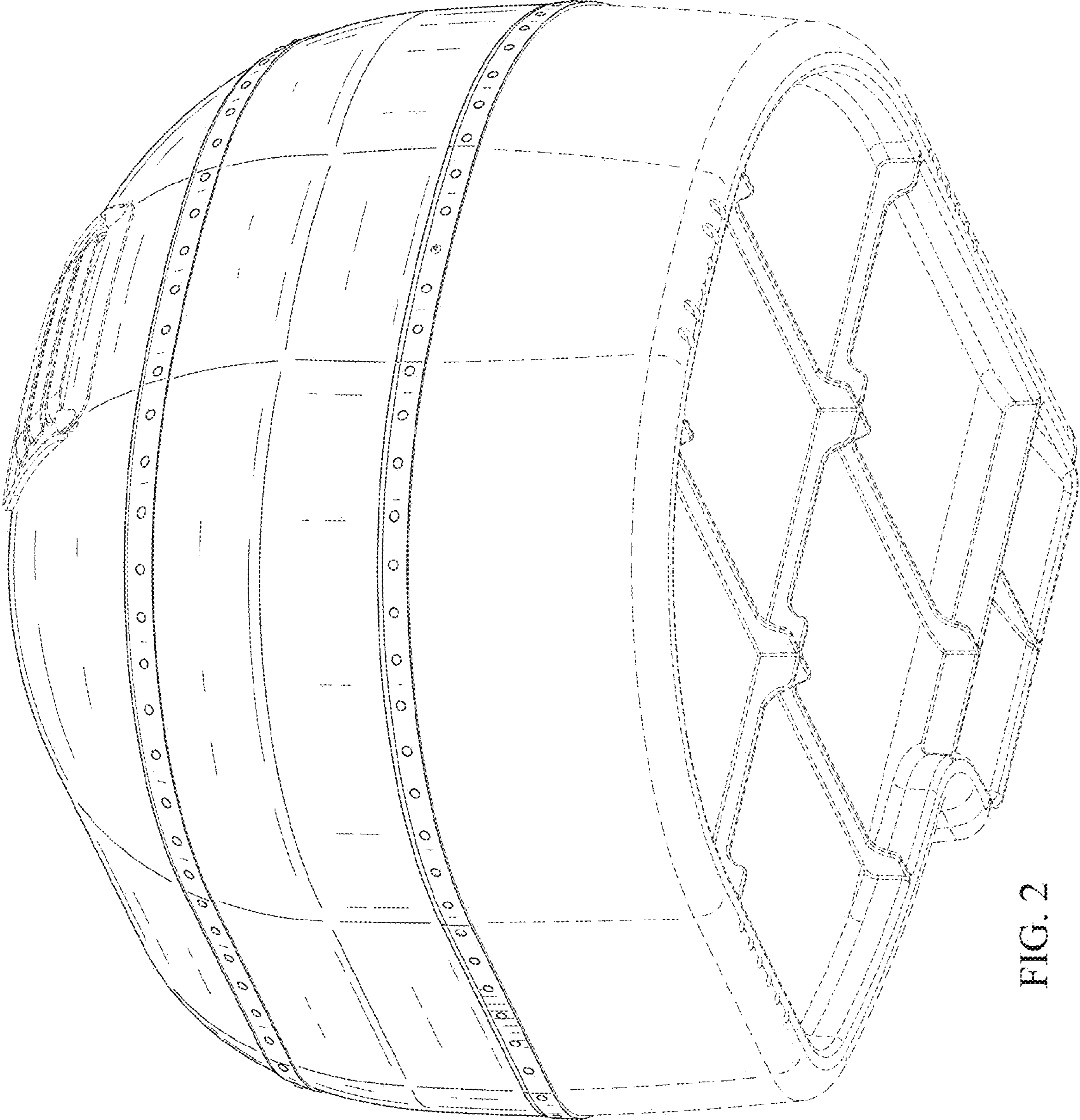


FIG. 2



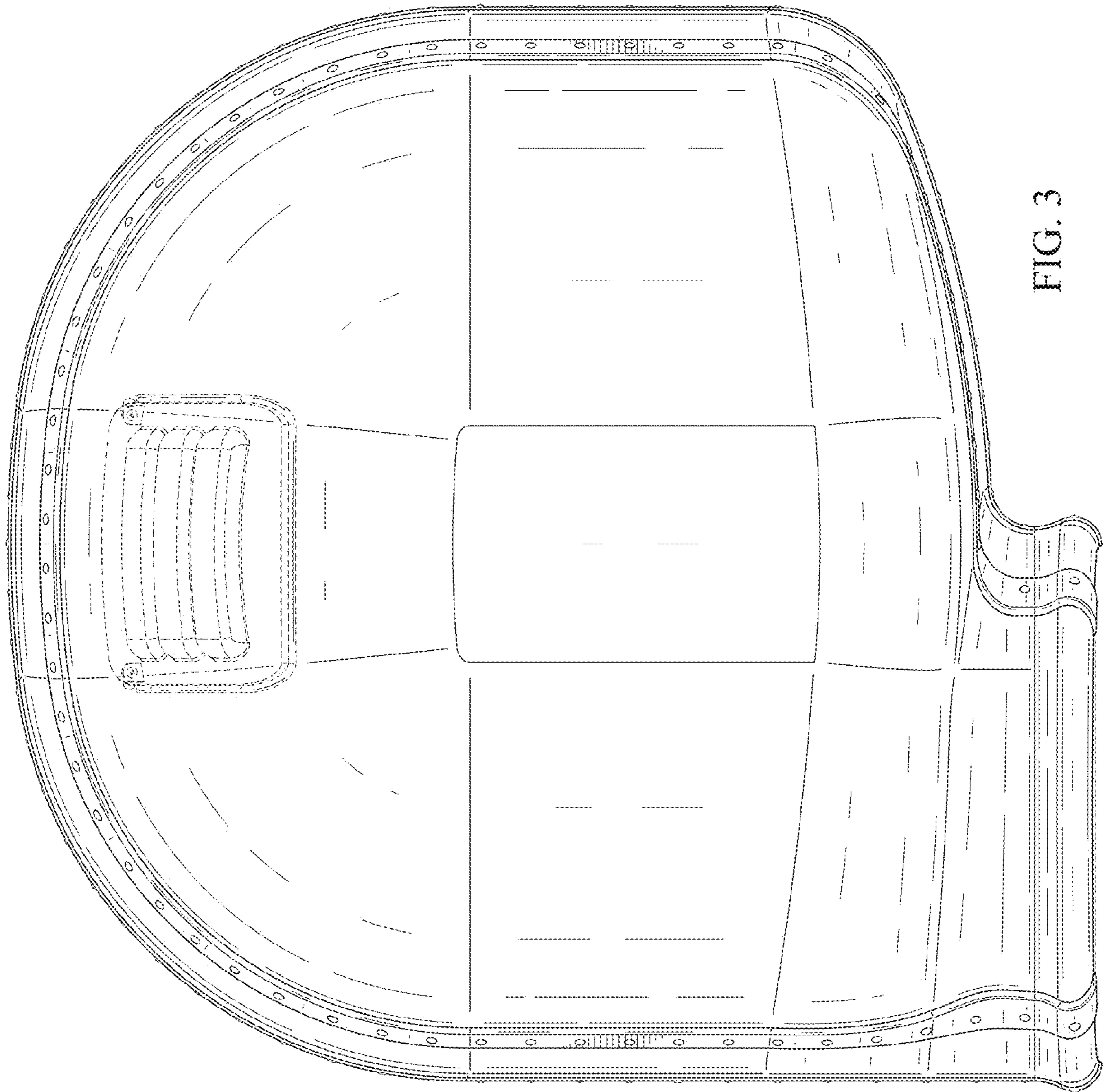


FIG. 3

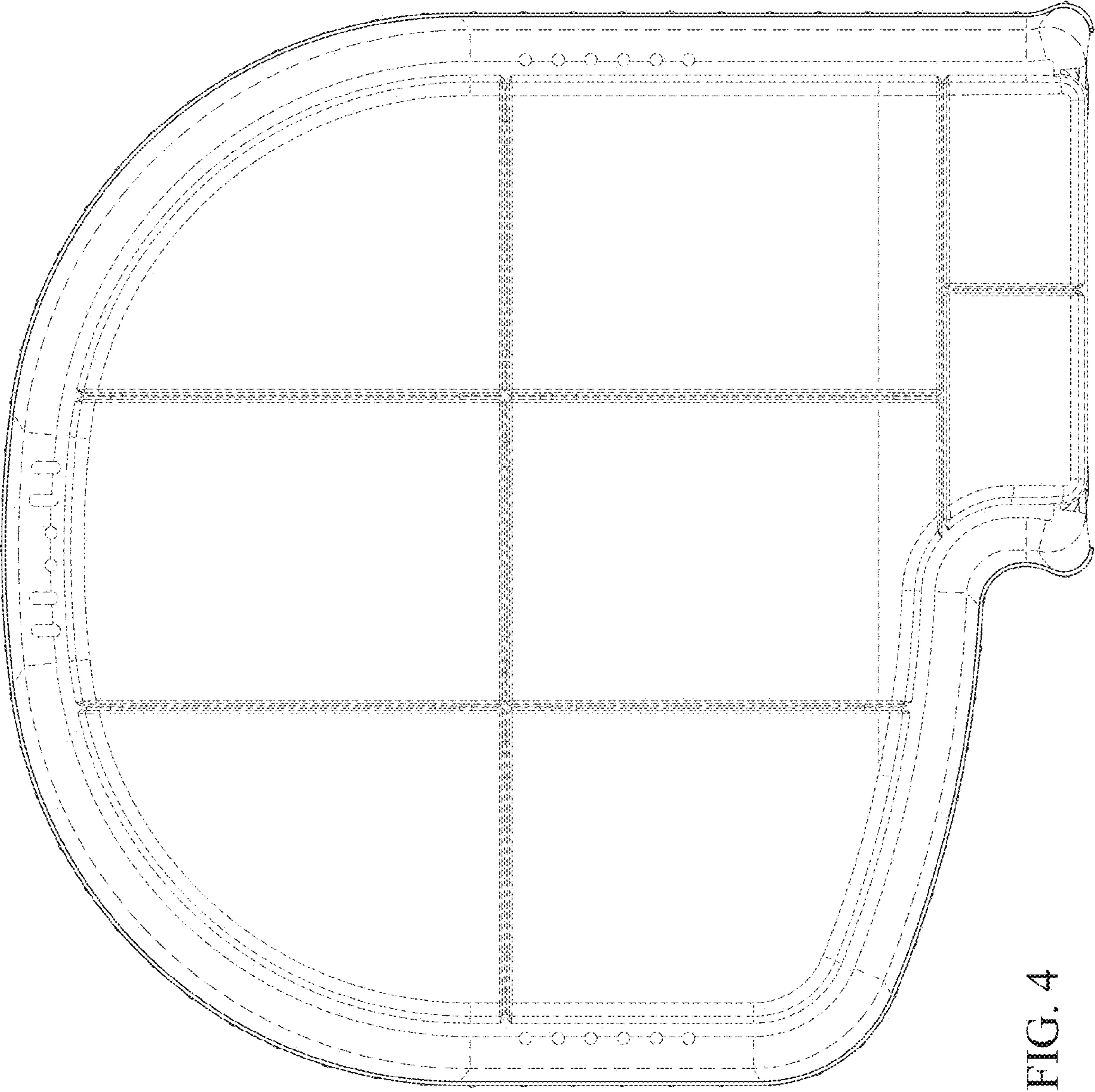


FIG. 4

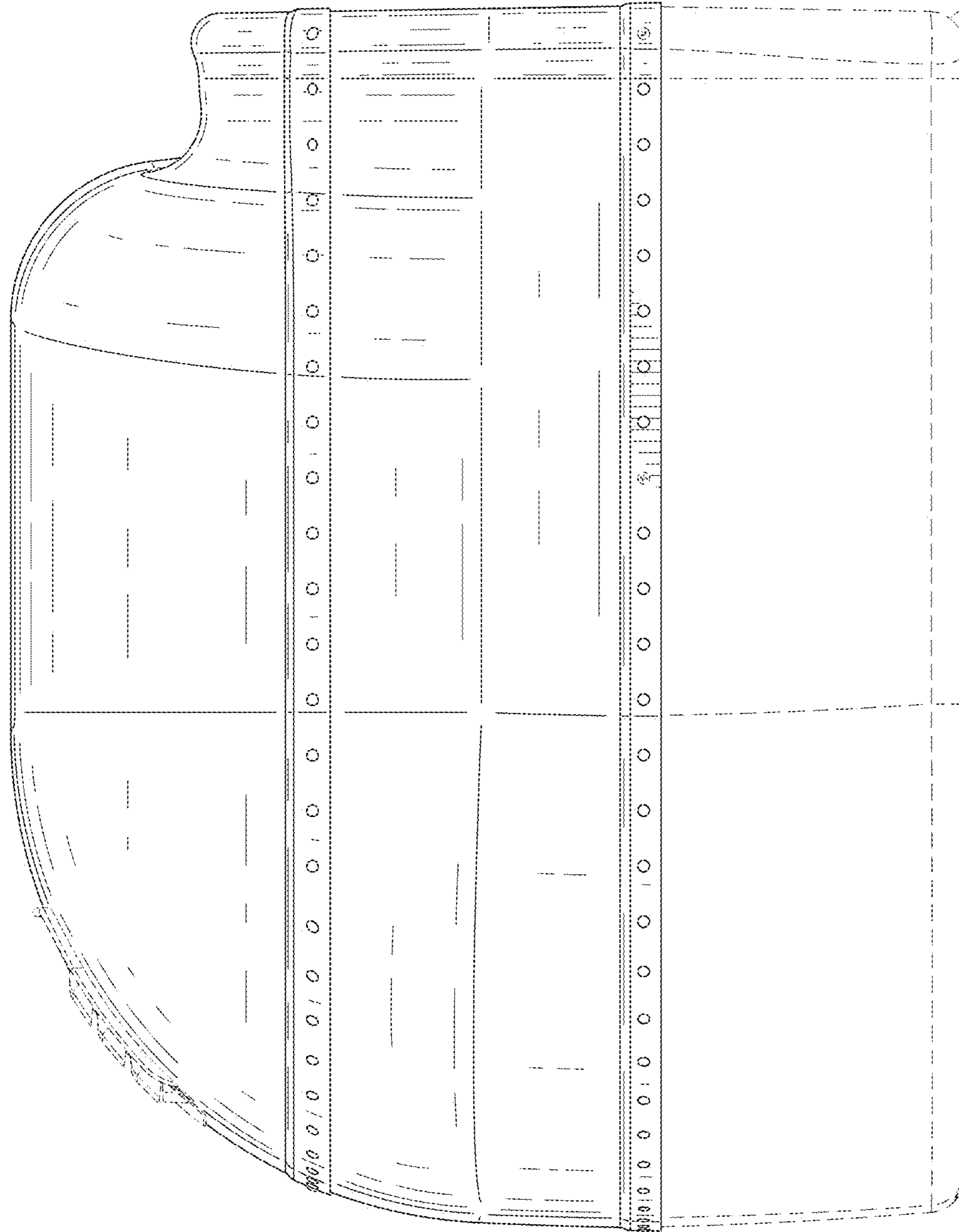


FIG. 5

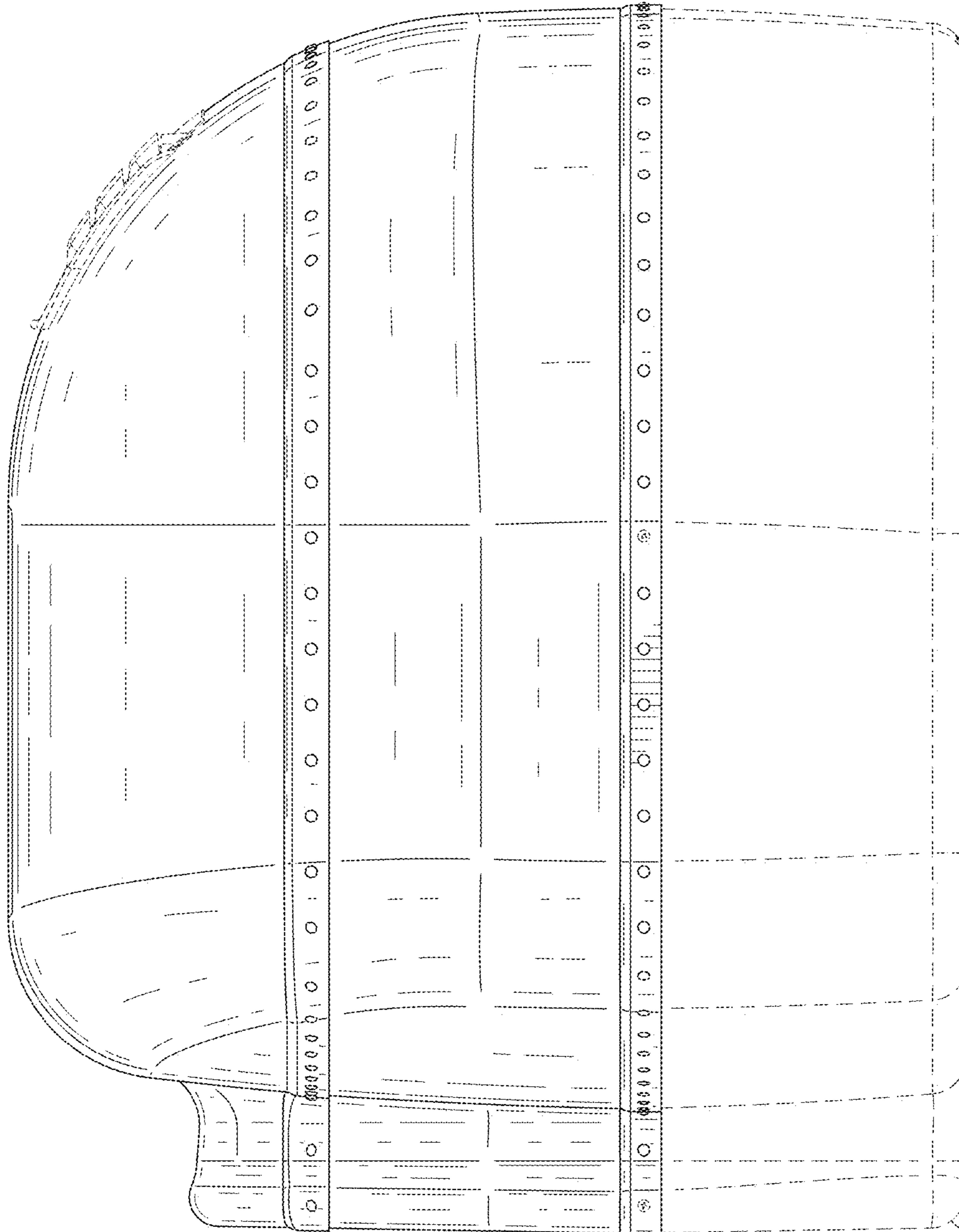


FIG. 6



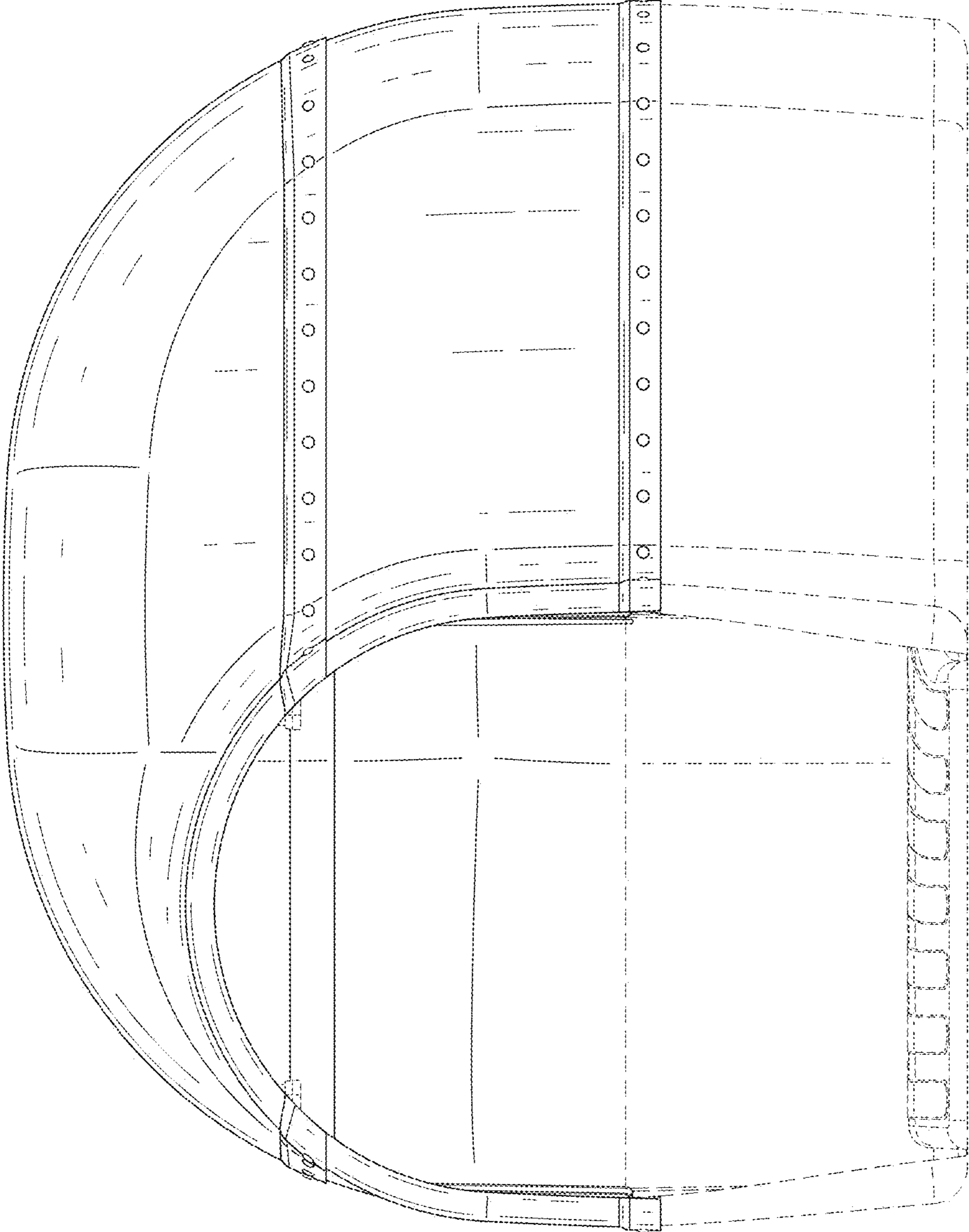


FIG. 7



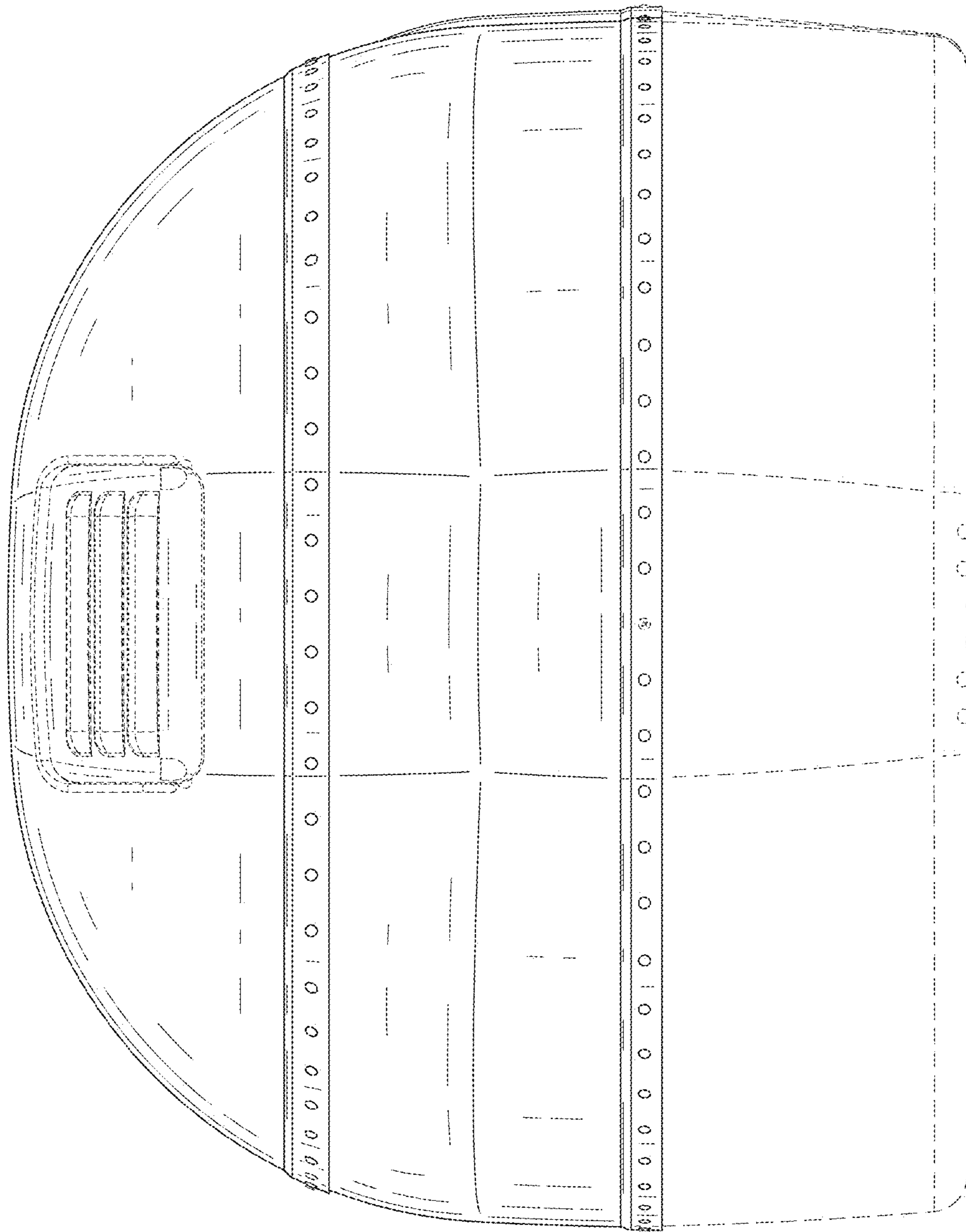


FIG. 8