



US00D942701S

(12) **United States Design Patent** (10) **Patent No.:** **US D942,701 S**
Geissler et al. (45) **Date of Patent:** **** Feb. 1, 2022**

(54) **MODULAR FIRE EXTINGUISHER
FLUFFING TUBE**

(71) Applicant: **Rusoh, Inc.**, Eau Claire, WI (US)
(72) Inventors: **Ryan J. Geissler**, Eau Claire, WI (US);
Ryan Barrows, Eau Claire, WI (US)
(73) Assignee: **Rusoh, Inc.**, Eau Claire, WI (US)
(**) Term: **15 Years**
(21) Appl. No.: **29/694,530**

(22) Filed: **Jun. 11, 2019**
(51) **LOC (13) Cl.** **29-01**
(52) **U.S. Cl.**
USPC **D29/129**

(58) **Field of Classification Search**
USPC D3/201, 203.1, 203.6, 203.7, 203.8, 247,
D3/248, 249, 303; D8/2, 21, 22, 23, 24,
D8/25, 26, 27, 28, 29, 71, 72, 107, 30,
D8/303, 306, 349, 354, 355, 356, 382,
D8/394, 395, 396, 397, 398, 499;
D29/124, 125, 126, 128, 129, 130;
D10/104.1, 109.1, 109.2, 121
CPC .. A61F 17/00; A62B 1/00; A62B 1/08; A62B
1/10; A62B 1/12; A62B 1/14; A62B 1/16;
A62B 1/18; A62B 1/20; A62B 17/00;
A62B 25/00; A62B 25/005; A62B 1/06;
A62C 2/00; A62C 3/00; A62C 3/07;
A62C 8/00; A62C 11/00; A62C 11/005;
A62C 13/00; A62C 13/003; A62C
13/006; A62C 13/02; A62C 13/04; A62C
13/06; A62C 13/08; A62C 13/10; A62C
13/12; A62C 13/14; A62C 13/16; A62C
13/18; A62C 13/20;

(Continued)

(56) **References Cited**

U.S. PATENT DOCUMENTS

2,401,785 A * 6/1946 Zieschang F04B 9/14
417/250
2,908,334 A * 10/1959 Duggan A62C 5/002
169/44

(Continued)

OTHER PUBLICATIONS

Youtube, "Graco Collapsible Agitator Overview", first available
Feb. 18, 2010. ([https://www.youtube.com/watch?v=9Khqg9eAiyI
&feature=emb_title](https://www.youtube.com/watch?v=9Khqg9eAiyI&feature=emb_title)) (Year: 2010).*

(Continued)

Primary Examiner — Lauren D McVey
Assistant Examiner — Justin A Johnson

(57) **CLAIM**

The ornamental design for a modular fire extinguisher
fluffing tube, as shown and described.

DESCRIPTION

FIG. 1 is a top-right perspective view of the modular fire
extinguisher fluffing tube, showing the new design.

FIG. 2 is a front view of the modular fire extinguisher
fluffing tube.

FIG. 3 is a back view of the modular fire extinguisher
fluffing tube.

FIG. 4 is a left-side view of the modular fire extinguisher
fluffing tube.

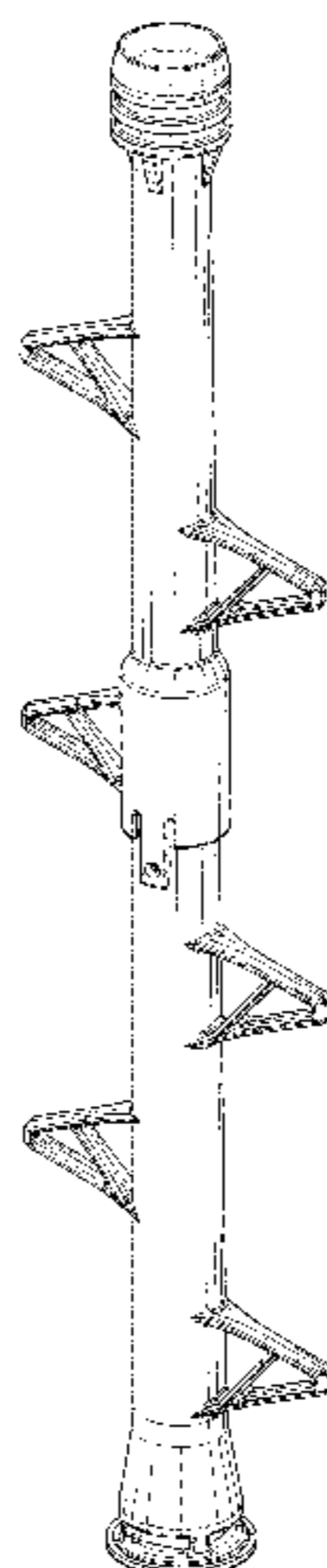
FIG. 5 is a right-side bottom view of the modular fire
extinguisher fluffing tube.

FIG. 6 is a top view of the modular fire extinguisher fluffing
tube; and,

FIG. 7 is a bottom view of the modular fire extinguisher
fluffing tube.

The thin, evenly spaced broken lines in the drawings depict
portions of the article that form no part of the claimed
design. The thick, evenly space broken lines in the drawings
depict environment. The dash-dot broken lines illustrate the
bounds of the claim. None of the broken lines form part of
the claimed design.

1 Claim, 3 Drawing Sheets



(58) **Field of Classification Search**

CPC A62C 13/22; A62C 13/62; A62C 13/64;
 A62C 13/66; A62C 13/68; A62C 13/70;
 A62C 13/72; A62C 13/74; A62C 13/76;
 A62C 13/78; A62C 35/20; A62C 99/00;
 A62C 99/0009; A62C 99/0018; A62C
 99/0027; A62C 99/0036; A62C 99/0045;
 A62C 99/0054; A62C 99/0063; A62C
 99/0072; A62C 99/0081; A62C 99/009;
 B60R 2011/0071; F23N 5/18; F23N
 2005/181; F23N 2005/182; F23N 5/184;
 F23N 2005/185; F23N 5/187; F23N
 5/188; G08B 5/00; G08B 5/002; B63G
 8/40

See application file for complete search history.

(56) **References Cited**

U.S. PATENT DOCUMENTS

5,063,998 A * 11/1991 Quinn A62C 2/04
 169/65
 D393,997 S * 5/1998 Hartzheim D8/354
 D626,817 S * 11/2010 Donowho D8/356
 D732,928 S * 6/2015 Recker D8/354
 D745,225 S * 12/2015 Siria-Womach A62C 2/04
 D29/129

D823,547 S * 7/2018 Rousseau D29/125
 D853,660 S * 7/2019 Jamison, Jr. D29/129
 D877,823 S * 3/2020 Brown A62C 8/00
 D21/679
 D891,231 S * 7/2020 Gilner F04B 9/14
 D8/354
 2015/0367154 A1* 12/2015 Rousseau A62C 13/006
 169/75
 2021/0023404 A1* 1/2021 Erwin A62C 8/00

OTHER PUBLICATIONS

Alamy, "Steps on a telegraph pole for maintenance access", first available Feb. 16, 2017. (<https://www.alamy.com/stock-photo-steps-on-a-telegraph-pole-for-maintenance-access-135071286.html>) (Year: 2017).*

Rusoh, "Rusoh Eliminator Brochure", first available 2018. (<https://www.rusoh.com/documents/rusoh-eliminator-brochure-ad17-5765c.pdf>) (Year: 2018).*

Youtube, "ULP Under Water", first available Dec. 5, 2018. (https://www.youtube.com/watch?v=teBQaceyxxQ&feature=emb_title) (Year: 2018).*

Facebook, "Rusoh Inc." first available Jun. 24, 2020. (<https://www.facebook.com/watch/?v=190263655743355>) (Year: 2020).*

* cited by examiner

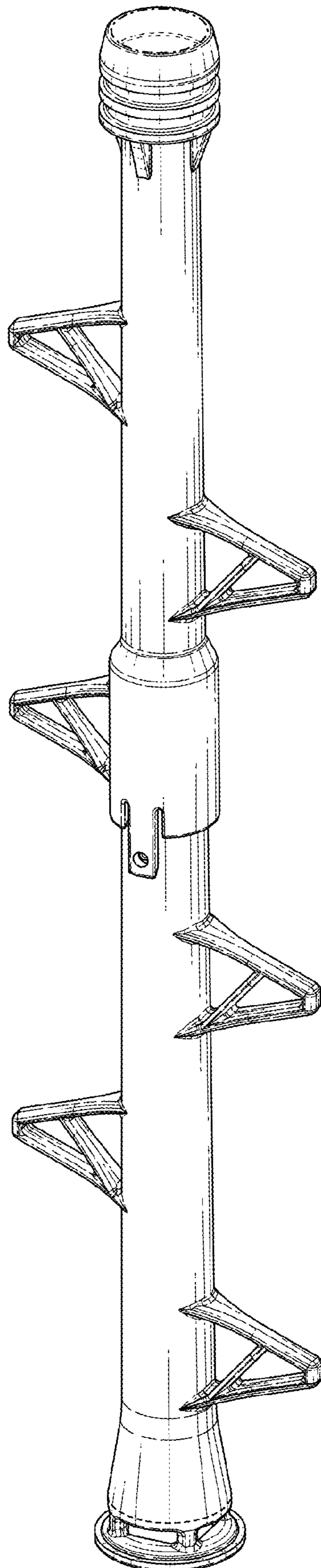


FIG. 1

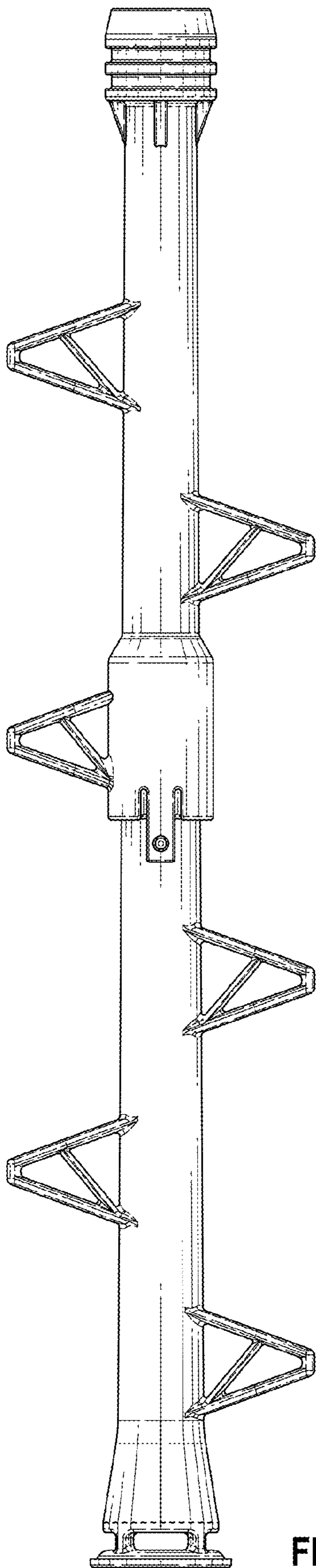


FIG. 2

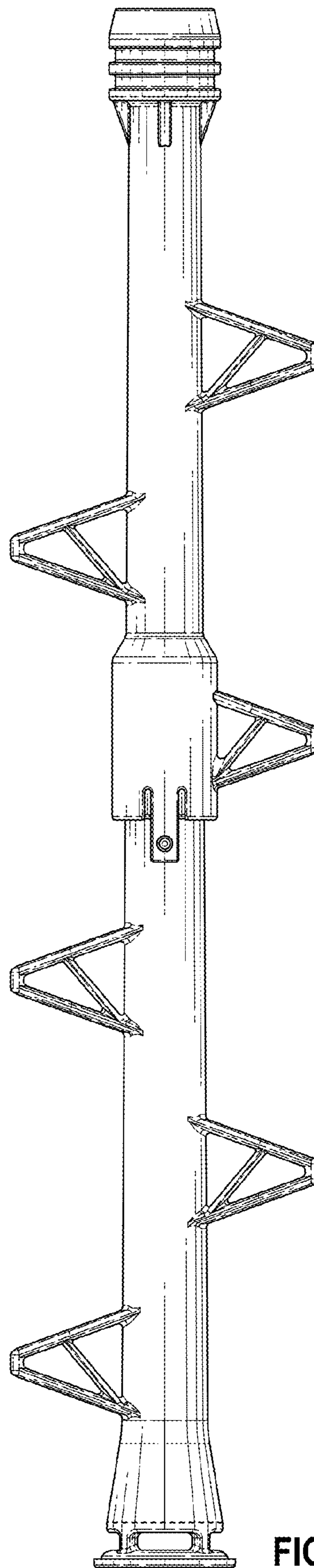


FIG. 3

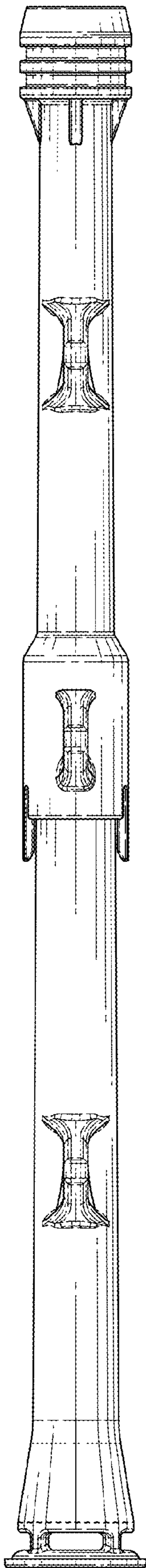


FIG. 4

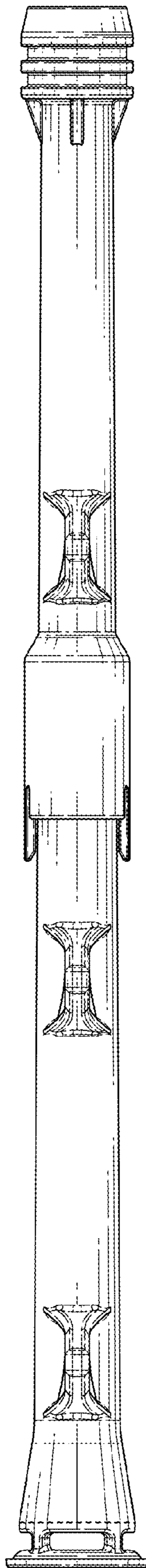


FIG. 5

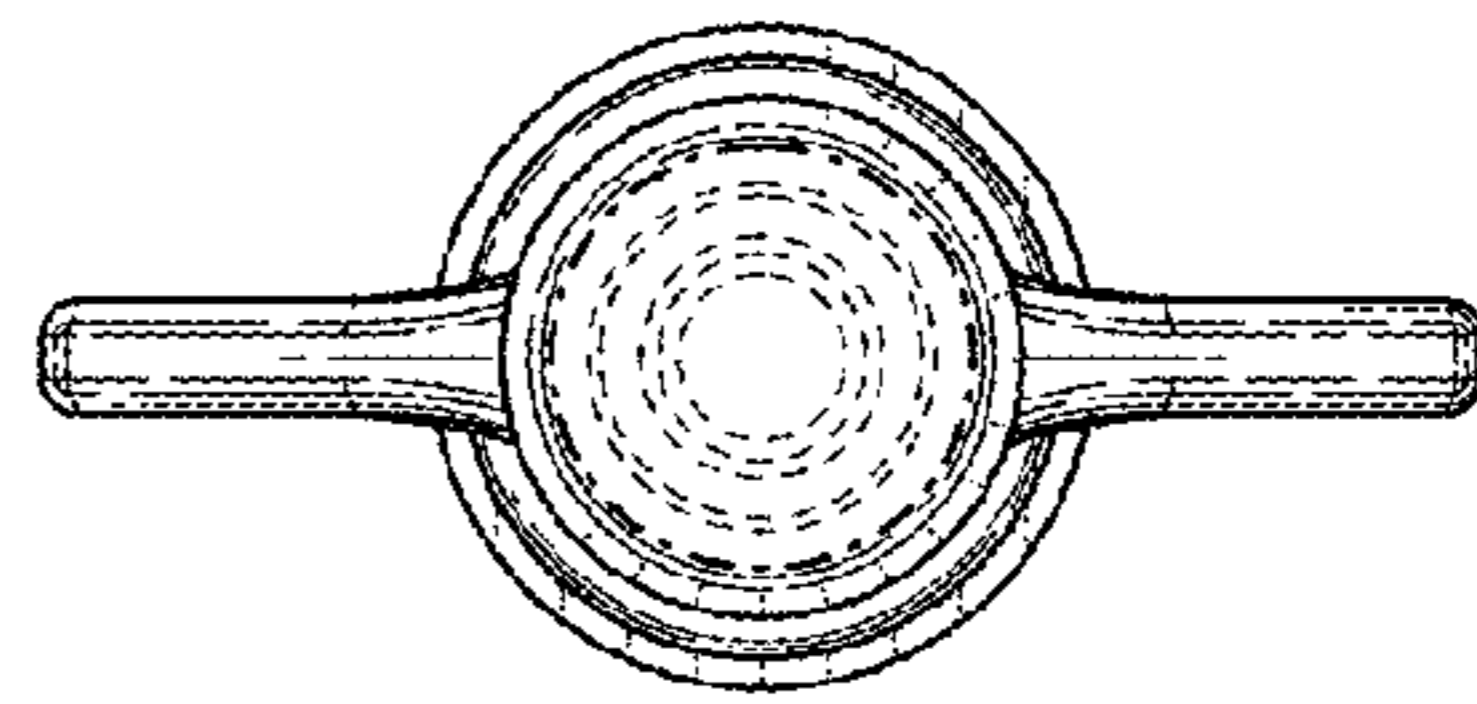


FIG. 6

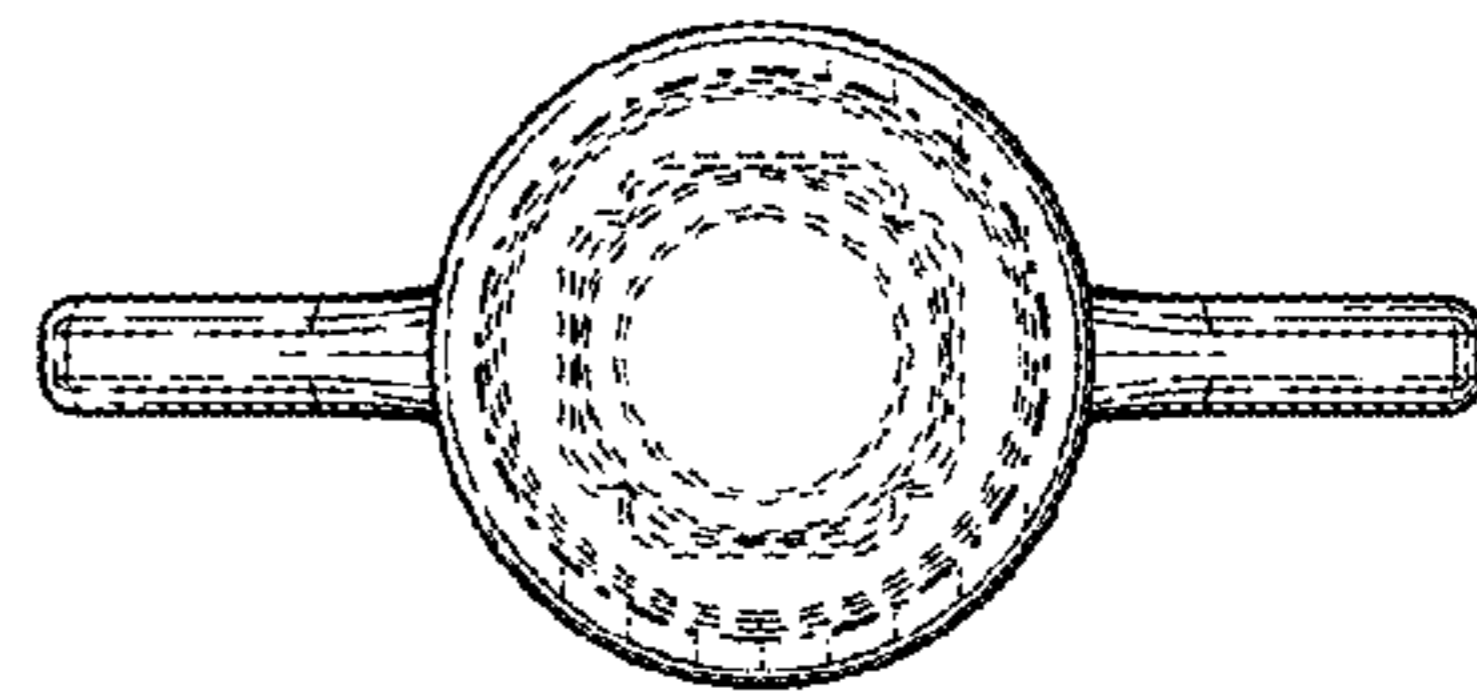


FIG. 7