

US00D942697S

(12) **United States Design Patent** (10) **Patent No.:** **US D942,697 S**
Xu (45) **Date of Patent:** **** Feb. 1, 2022**

(54) **REFLECTIVE VEST**
(71) Applicant: **MOFELIZ E-commerce Co., Ltd.**
(Changzhou), Jiangsu (CN)
(72) Inventor: **Kehai Xu, Jiangsu (CN)**
(**) Term: **15 Years**
(21) Appl. No.: **29/775,263**
(22) Filed: **Mar. 22, 2021**
(51) **LOC (13) Cl.** **02-02**
(52) **U.S. Cl.**
USPC **D29/101.4**
(58) **Field of Classification Search**
USPC D29/100, 101.1, 101.2, 101.3, 101.4,
D29/101.5; D2/829
CPC A41D 1/04; A41D 13/01; A41D 2300/22;
A41D 2300/332; A41D 2600/20; A41D
31/32; A41D 27/20
See application file for complete search history.

10,849,373 B2 * 12/2020 Wright A41D 1/04
10,864,929 B2 * 12/2020 Preston A41D 13/01
D924,488 S * 7/2021 Driessen A41D 27/201
D29/101.4
D933,903 S * 10/2021 Lee D29/101.4
2006/0026731 A1 * 2/2006 Qashou A41D 13/01
2/69

(Continued)

FOREIGN PATENT DOCUMENTS

CN 305191249 * 6/2019
CN 305682242 * 4/2020

(Continued)

OTHER PUBLICATIONS

Qiming Reflective Vest High Visibility Safety Gear (on-line), dated Aug. 16, 2018. Retrieved from Internet Nov. 23, 2021, URL: <http://web.archive.org/web/20180816115657/http://www.qmreflective.com/> (1 page) (Year: 2018).*

(Continued)

Primary Examiner — Kimberly Barnes

(56) **References Cited**
U.S. PATENT DOCUMENTS

D590,545 S * 4/2009 Lesley D29/101.4
D598,166 S * 8/2009 Kemper D29/101.4
7,845,018 B1 * 12/2010 Greer A41D 13/01
2/102
D656,681 S * 3/2012 Reisler D29/101.4
D694,957 S * 12/2013 Barker D29/101.4
D792,027 S * 7/2017 Gill D29/101.4
D801,007 S 10/2017 Pezzimenti
D804,100 S * 11/2017 Gill D29/101.4
9,968,141 B2 * 5/2018 Ward A41D 27/201
10,383,376 B1 * 8/2019 Baldonado A41D 13/01
10,420,689 B1 * 9/2019 Foster A41D 13/0007
D877,419 S * 3/2020 Shi D29/101.4
10,653,192 B2 * 5/2020 Chen A41D 27/085
10,660,384 B2 * 5/2020 Lauf A41D 1/04
D896,444 S * 9/2020 Shi D29/101.4
10,814,894 B2 * 10/2020 Preston G01S 19/19

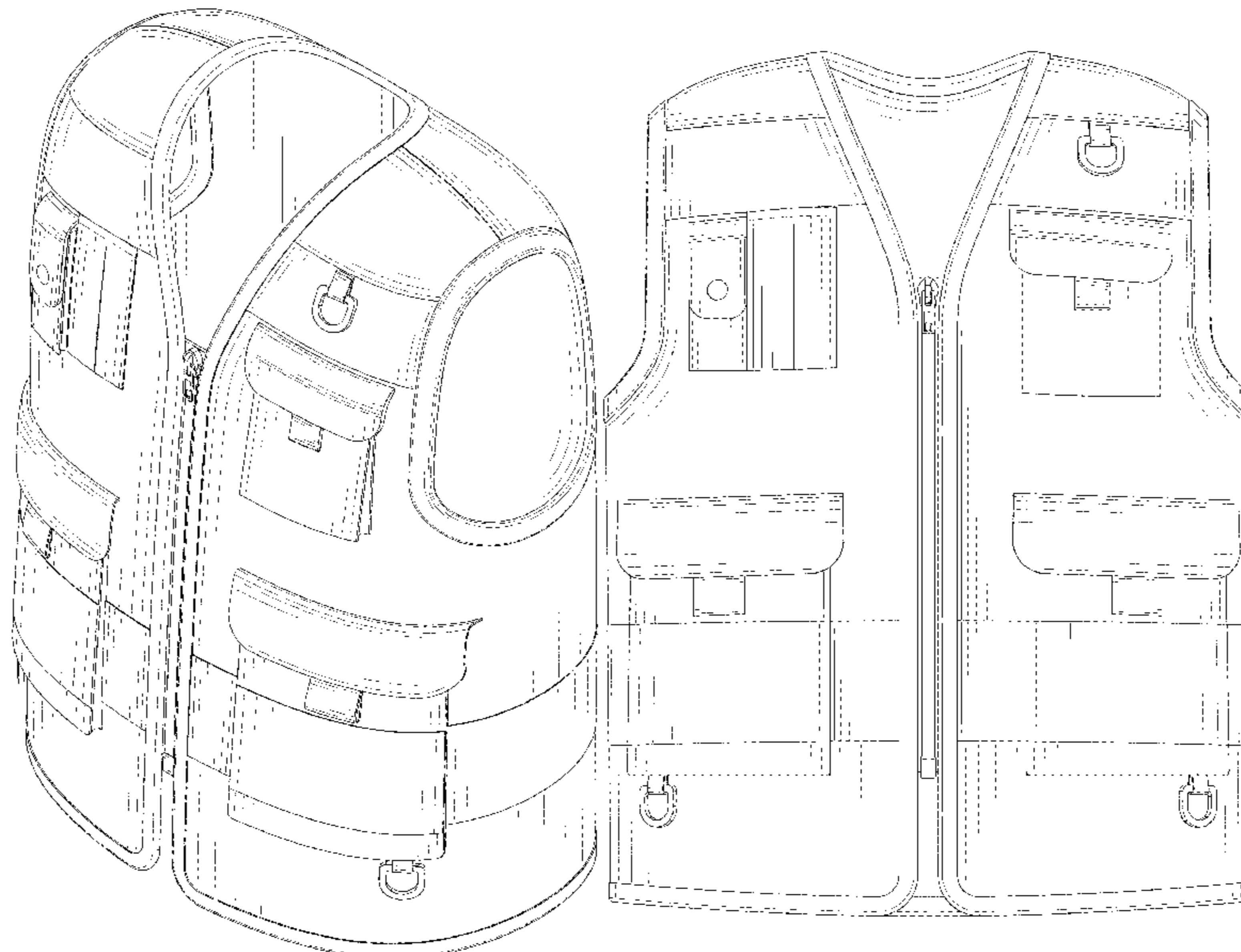
(57) **CLAIM**

The ornamental design for a reflective vest, as shown and described.

DESCRIPTION

FIG. 1 is a front and top perspective view of a reflective vest, showing my new design;
FIG. 2 is a rear and bottom perspective view thereof;
FIG. 3 is a front elevation view thereof;
FIG. 4 is a rear elevation view thereof;
FIG. 5 is a left side elevation view thereof;
FIG. 6 is a right side elevation view thereof;
FIG. 7 is a top plan view thereof; and,
FIG. 8 is a bottom plan view thereof.

1 Claim, 8 Drawing Sheets



(56)

References Cited

U.S. PATENT DOCUMENTS

2010/0031417 A1* 2/2010 Grilliot A41D 13/01
2/102
2014/0022766 A1* 1/2014 Wright G08B 5/004
362/108
2014/0355257 A1* 12/2014 Anteby A41D 13/01
362/108
2019/0037934 A1* 2/2019 Swank G08B 21/02
2020/0393205 A1* 12/2020 Kilbey G01K 11/12
2021/0068477 A1* 3/2021 Johnson A41D 1/002

FOREIGN PATENT DOCUMENTS

CN 306472348 * 4/2021
CN 306741299 * 8/2021
GB 6064990 * 7/2019

OTHER PUBLICATIONS

Uninova Safety Vest High Visibility—10 Pockets (on-line), dated Dec. 12, 2020. Retrieved from Internet Nov. 23, 2021, URL: <https://www.sears.com/uninova-safety-vest-high-visibility-10-pockets-reflective/p-A096210711> (2 pages) (Year: 2020).*

* cited by examiner

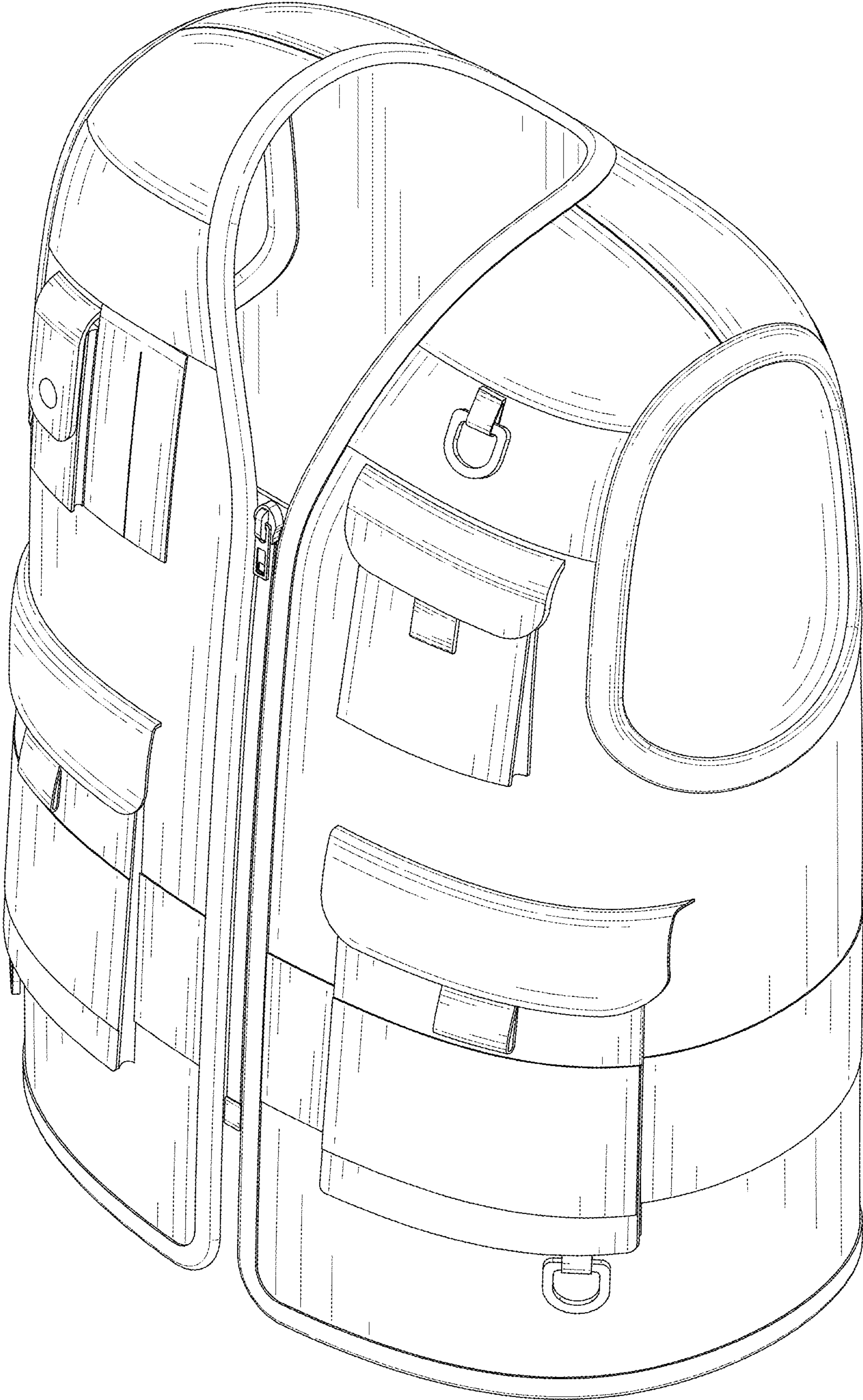


FIG. 1

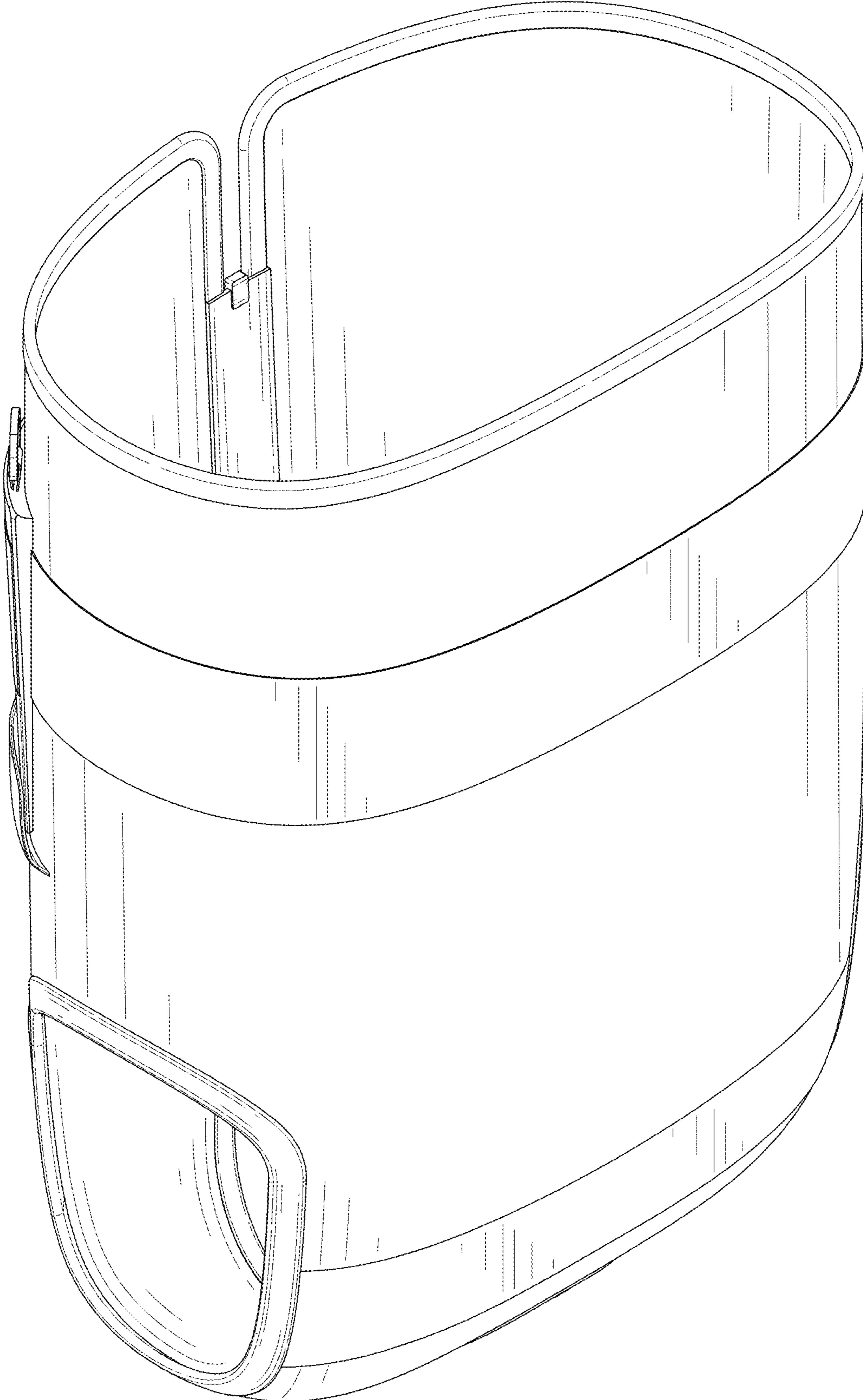


FIG. 2

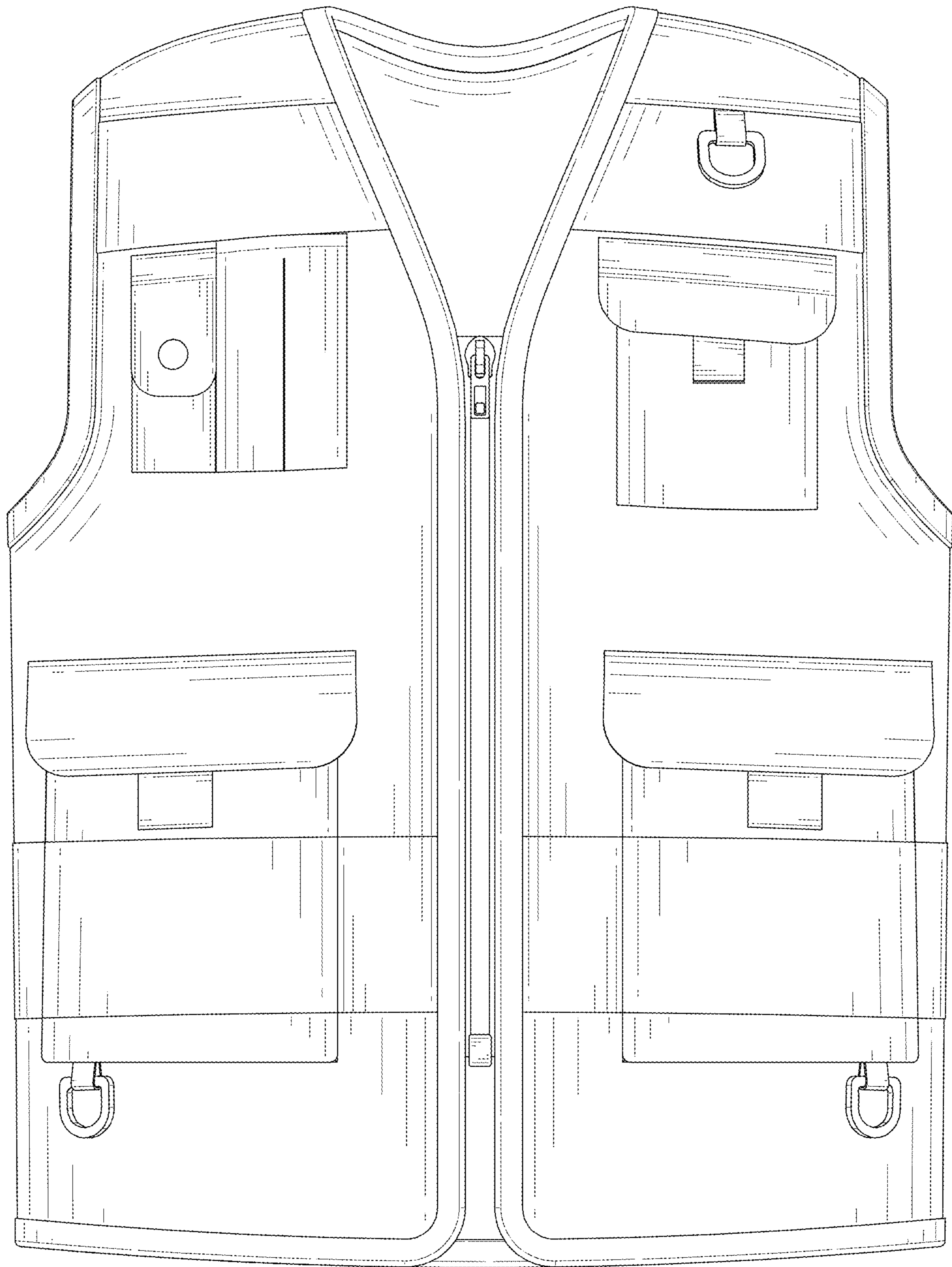


FIG. 3

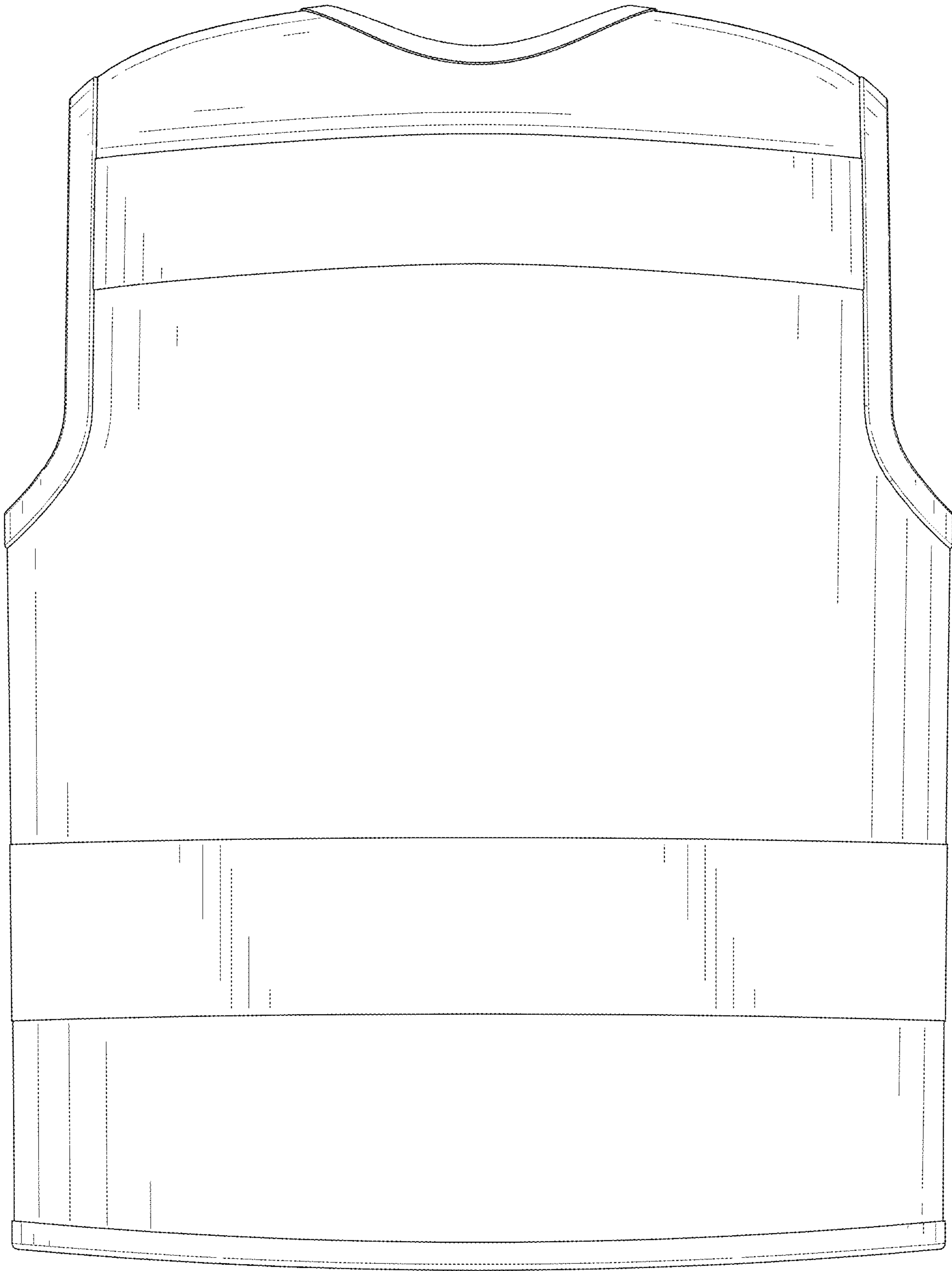


FIG. 4

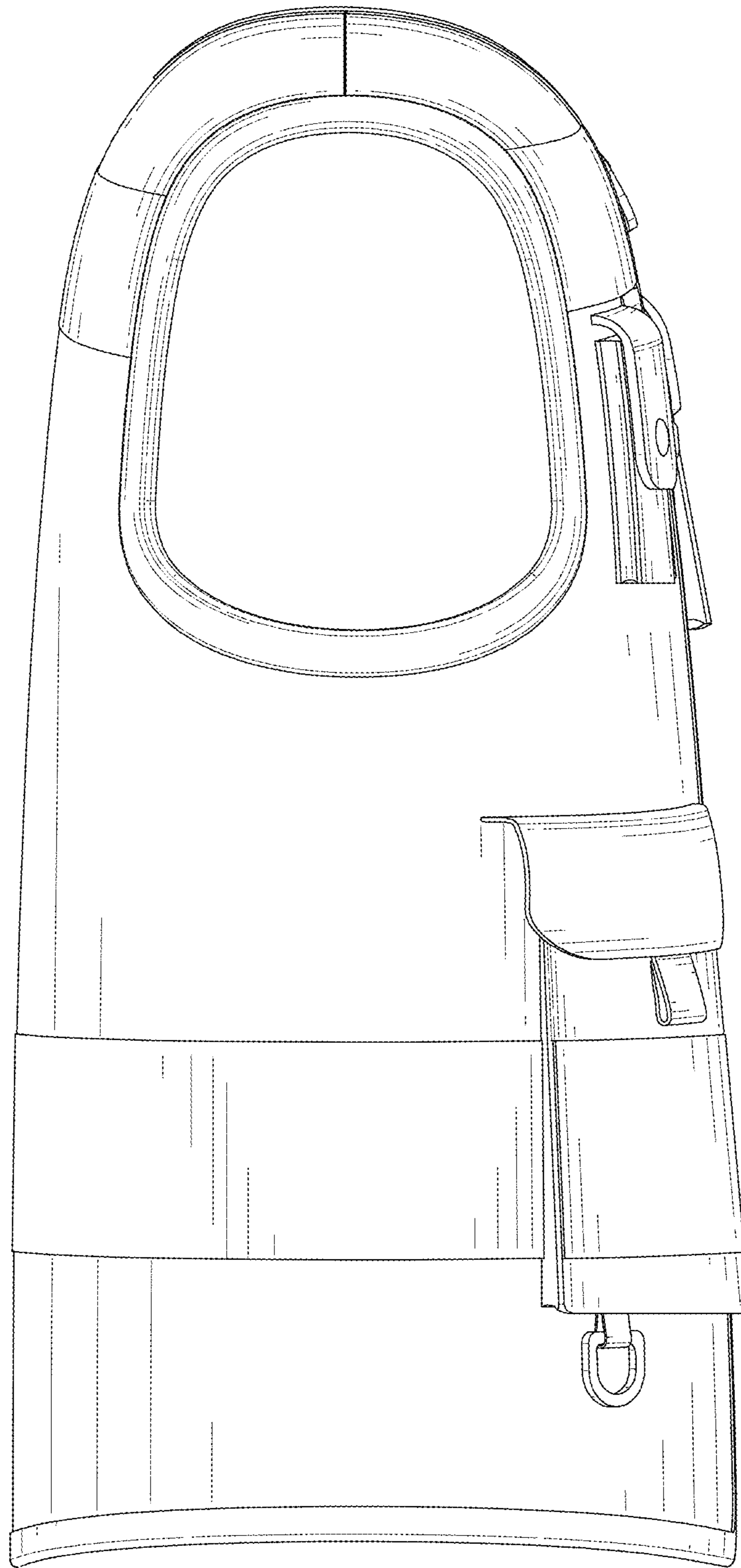


FIG. 5

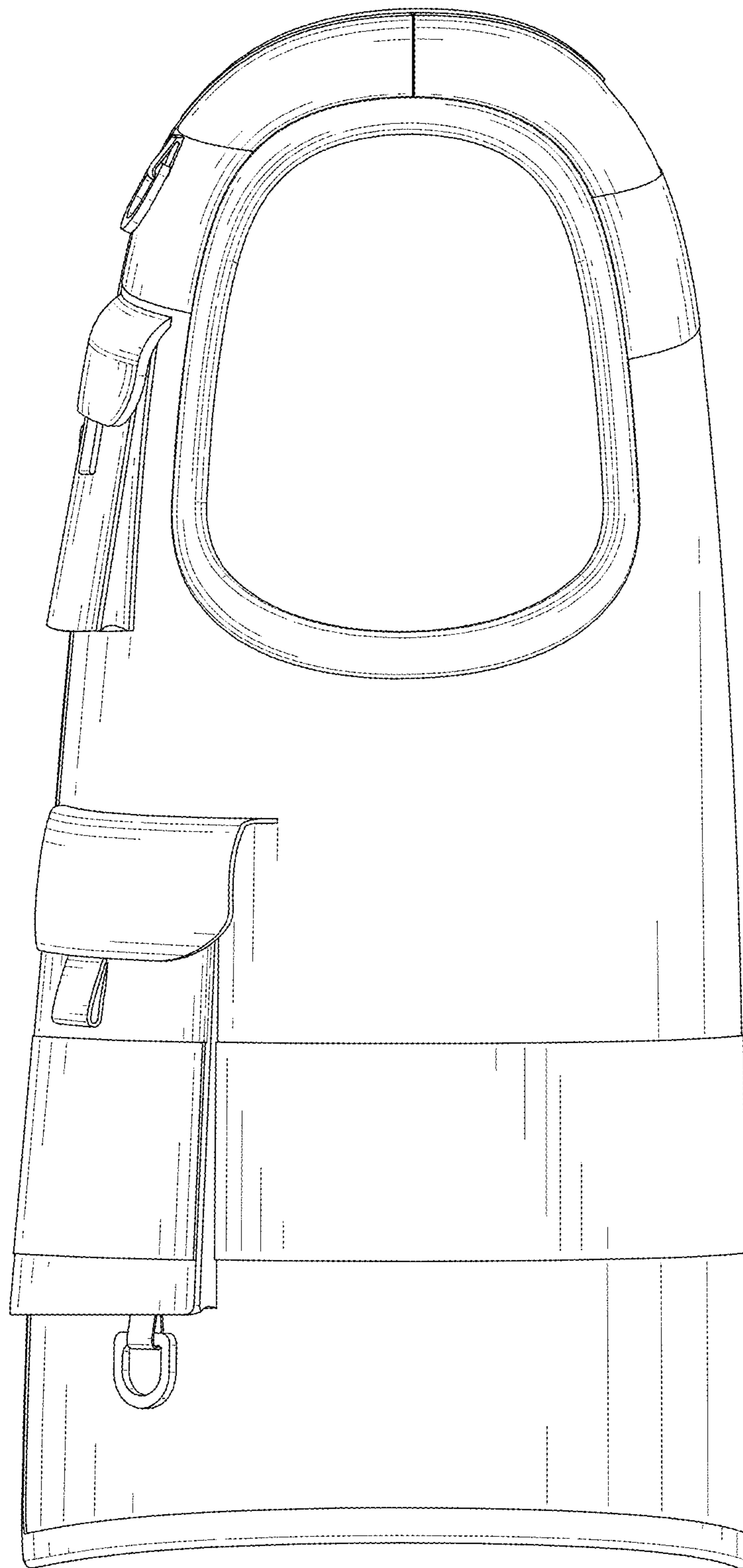


FIG. 6

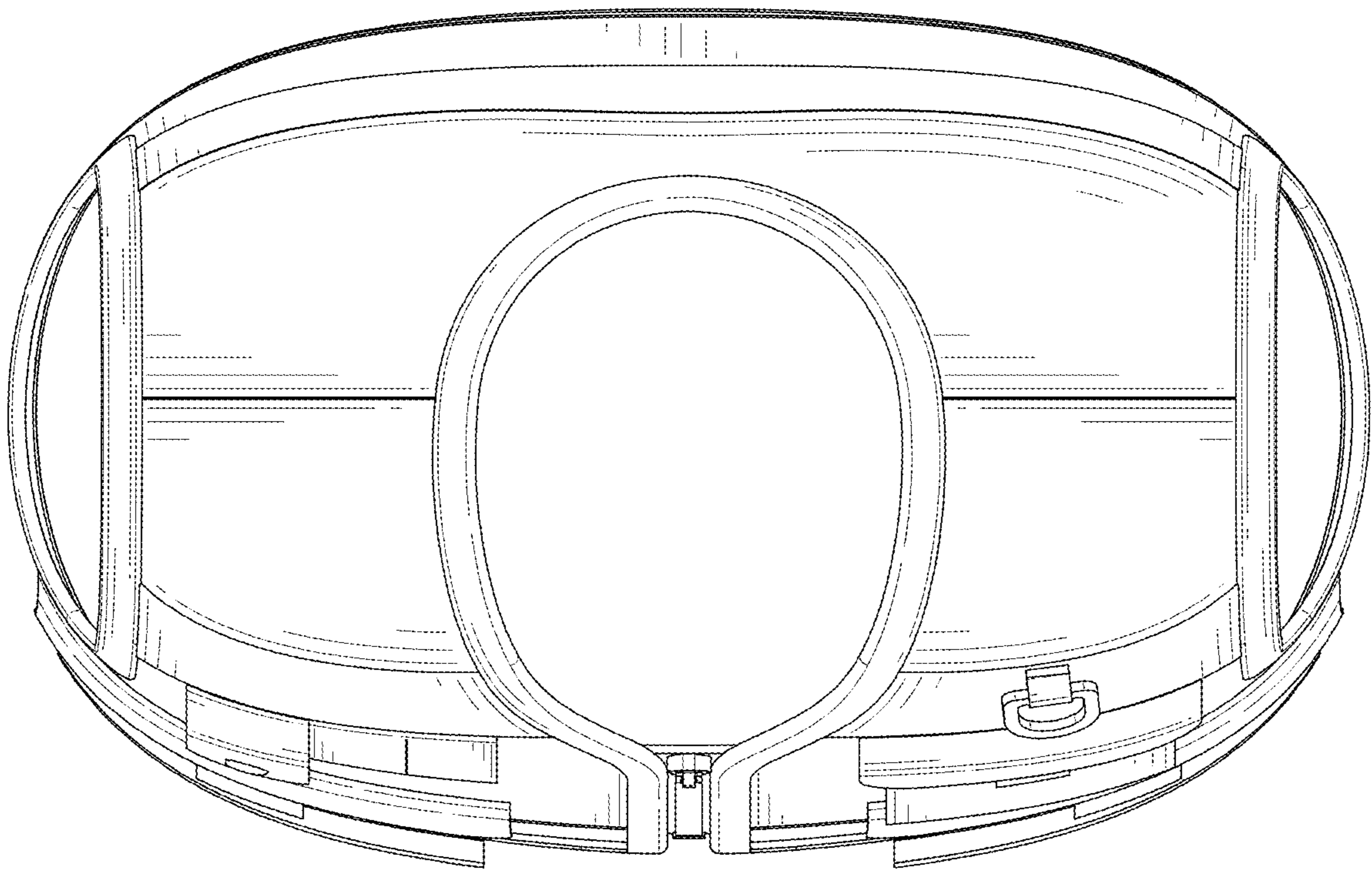


FIG. 7

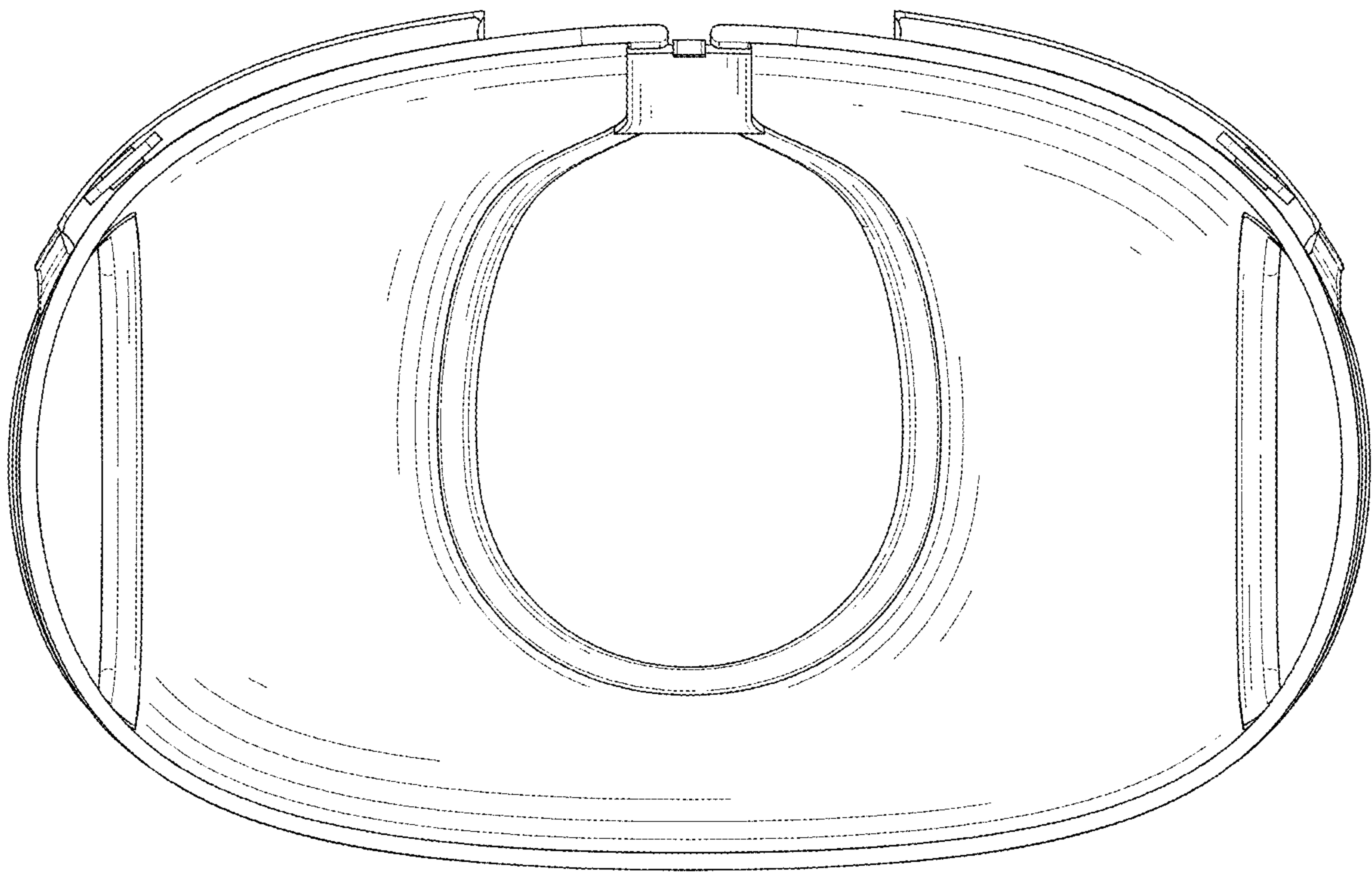


FIG. 8