



US00D942696S

(12) **United States Design Patent**
Bin et al.

(10) **Patent No.:** **US D942,696 S**
(45) **Date of Patent:** **** Feb. 1, 2022**

- (54) **LED RUNNING VEST**
- (71) Applicant: **Guangdong XIAOSHU DIAN Technology Co., Ltd, Foshan (CN)**
- (72) Inventors: **Miao Bin, Guangzhou (CN); Su Kaizan, Guangzhou (CN)**
- (**) Term: **15 Years**
- (21) Appl. No.: **29/753,163**
- (22) Filed: **Sep. 30, 2020**
- (51) **LOC (13) Cl.** **29-02**
- (52) **U.S. Cl.**
USPC **D29/101.4; D26/37; D2/829**
- (58) **Field of Classification Search**
USPC D26/24, 27, 37-52, 113, 118-120;
D11/131, 200, 201, 1, 2, 3, 4, 11;
D2/750, 761, 828, 829, 624, 629, 600,
D2/602, 607, 609, 500, 501; D29/101.4
CPC A41D 27/085; A41D 13/01; A41D 1/005;
A41D 1/04; A41D 13/0531; A41D
13/1281; A41D 15/04; A41D 1/06; A41D
31/00; A41D 3/00; F21V 33/0008; F21V
17/101; F21V 21/002; F21V 21/08; F21V
21/0885; F21V 21/14; F21V 23/001;
F21V 23/005; F21V 23/02; F21V
23/0435; F21V 23/06; F21V 33/008;
F21V 3/062; F21V 19/0035; F21V
19/005; F21V 21/084; F21V 23/003;
F21V 23/0442; F21V 23/045; F21V
23/0471; F21V 23/0492; F21V 25/12;
F21V 31/00; F21V 33/0004; F21V
33/0076; F21V 5/007; F21V 7/0008;
F21V 7/0016
See application file for complete search history.

- D470,979 S * 2/2003 Banton D29/101.1
 - 6,578,982 B1 * 6/2003 Lynch A44C 15/0015
362/103
 - D523,588 S * 6/2006 Henson D29/101.4
 - D590,530 S * 4/2009 Tsai D26/51
 - 7,568,813 B2 * 8/2009 Barker F21L 4/04
362/103
 - D708,436 S * 7/2014 Cariglio D3/224
 - D750,824 S * 3/2016 Bonang D26/39
 - D769,392 S 10/2016 Guo
 - D791,991 S * 7/2017 Brauser D26/39
- (Continued)

OTHER PUBLICATIONS

Olook Multicolored Rechargeable LED Reflective Running Vest Light. By Olook. Dated Jun. 12, 2021. Found online [Aug. 9, 2021]. <https://www.amazon.com/Olook-Multicolored-Reflective-Adjustable-Rechargeable/dp/B08FSGYS1C/> (Year: 2021).*

(Continued)

Primary Examiner — Marissa J Cash
Assistant Examiner — William B Melliar
(74) *Attorney, Agent, or Firm* — Rumit Ranjit Kanakia

(57) **CLAIM**

We claim the ornamental design for a LED running vest, as shown and described.

DESCRIPTION

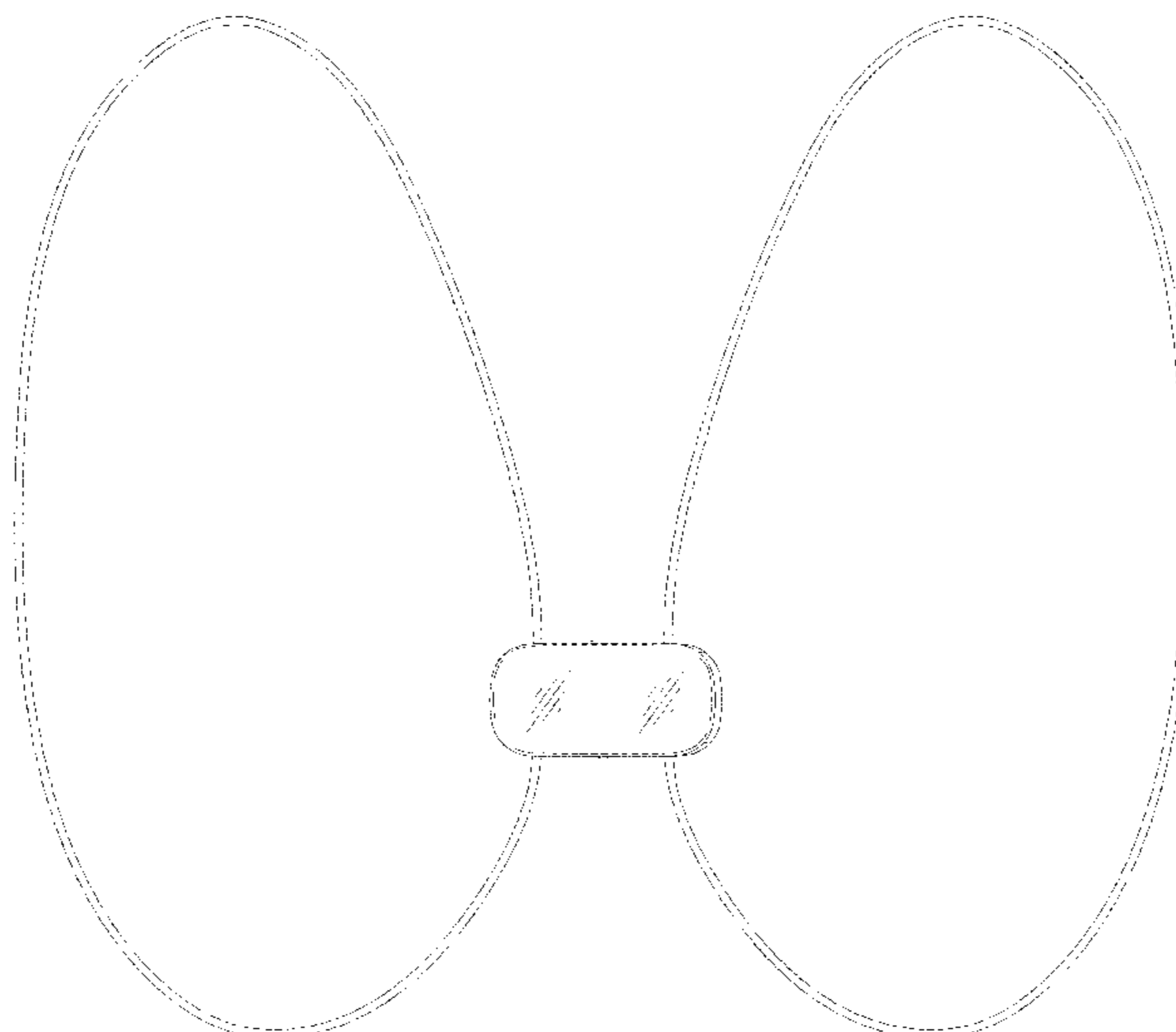
FIG. 1 is a perspective view of a LED running vest showing my new design;
FIG. 2 is a front view thereof;
FIG. 3 is a back view thereof;
FIG. 4 is a right-side view thereof;
FIG. 5 is a left-side view thereof;
FIG. 6 is a bottom view thereof; and,
FIG. 7 is a top view thereof.
The broken lines are for the purpose of illustrating portions of the LED running vest that form no part of the claim.

1 Claim, 7 Drawing Sheets

(56) **References Cited**

U.S. PATENT DOCUMENTS

- D280,860 S * 10/1985 Monferrato D2/829
- D362,736 S * 9/1995 Leather D10/114.1



(56)

References Cited

U.S. PATENT DOCUMENTS

D799,727 S * 10/2017 Habip D26/25
D802,845 S * 11/2017 Blackwell D29/101.4
D803,428 S * 11/2017 Kirschner D26/24
D809,746 S * 2/2018 Ye D2/829
D851,795 S * 6/2019 Van Egmond D26/37
D861,213 S * 9/2019 Petzl D26/39
D874,698 S * 2/2020 Boyd D26/39
D896,418 S * 9/2020 Lin D26/39
D899,028 S * 10/2020 Thatcher D2/750
2010/0313328 A1 * 12/2010 Shelton A41D 13/01
2/102
2011/0075399 A1 * 3/2011 Yuan A41D 13/01
362/103
2018/0252404 A1 * 9/2018 Lenahan F21V 19/005
2019/0021411 A1 * 1/2019 Chen A41D 27/085
2019/0384556 A1 * 12/2019 De Backer A41D 27/085
2021/0068477 A1 * 3/2021 Johnson A41D 1/002

OTHER PUBLICATIONS

Tagvo LED Reflective Running Vest. By Tagvo. Dated Sep. 30, 2019. Found online [Aug. 9, 2021]. https://www.amazon.com/TAGVO-Reflective-Armbands-Running-Stripes/dp/B07X256MWF/ref=sr_1_61?dchild=1&keywords=led%2Brunning%2Bvest&qid=1628525126&sr=8-61&th=1 (Year: 2019).*

* cited by examiner

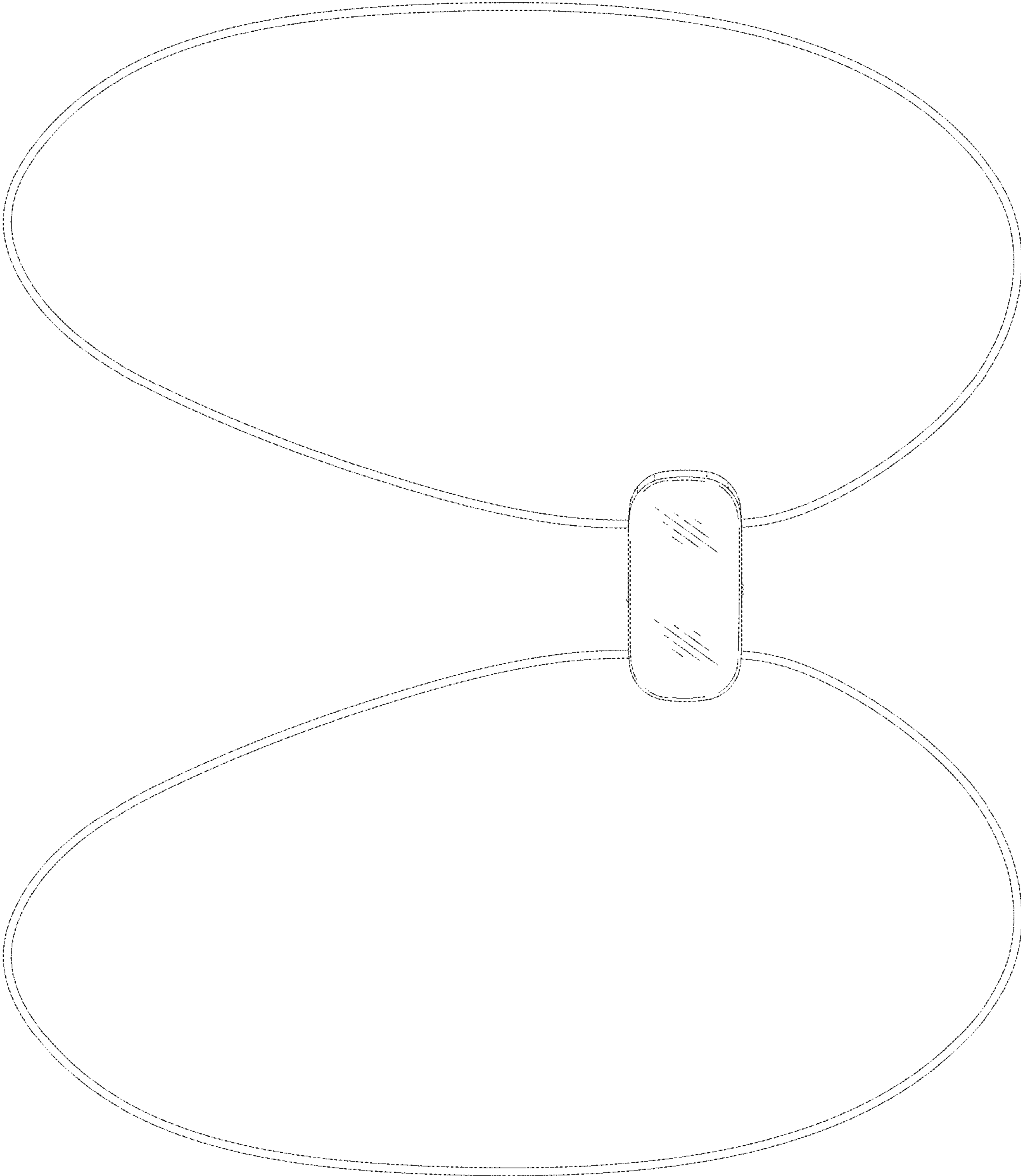


FIG. 1

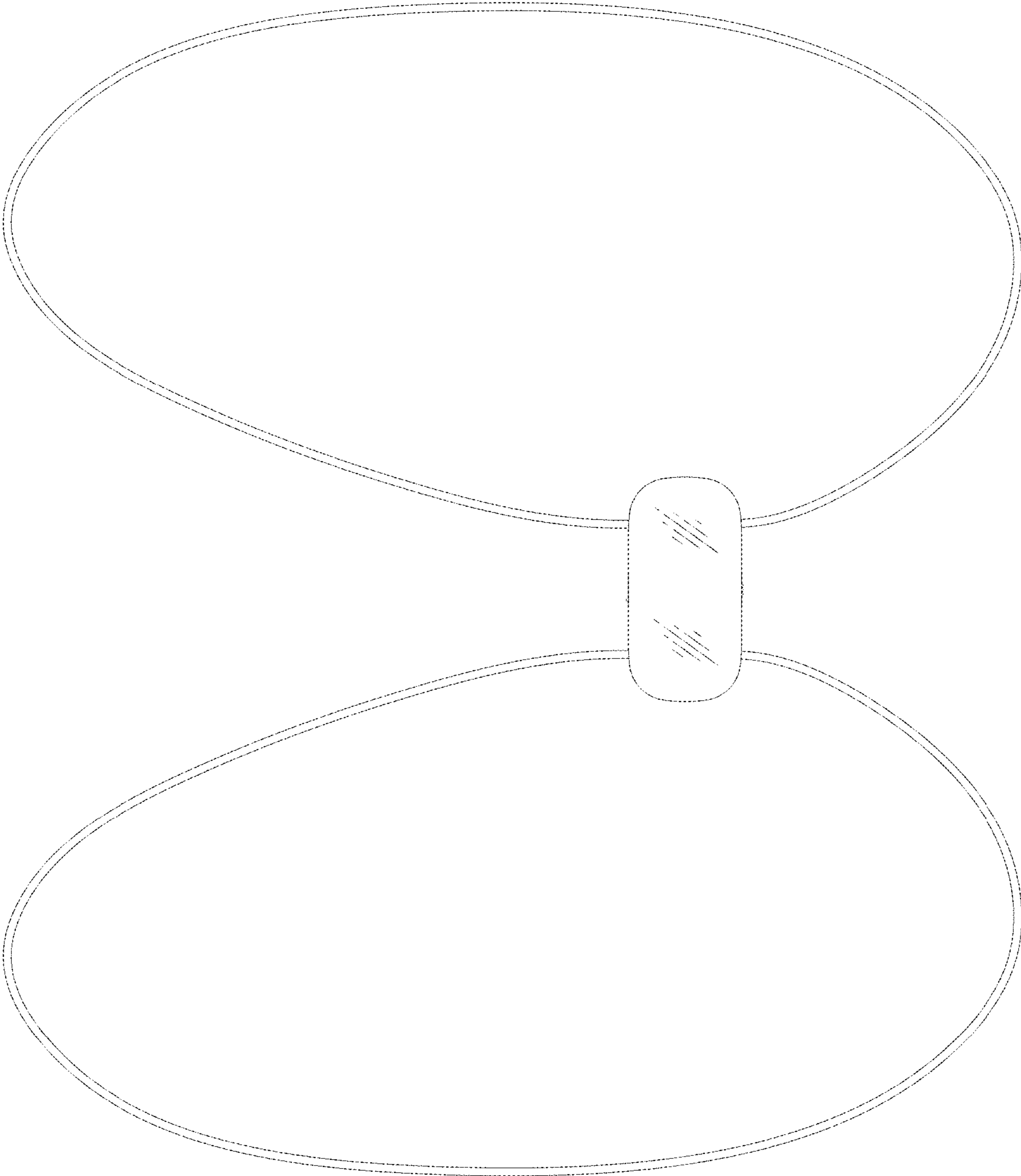


FIG. 2

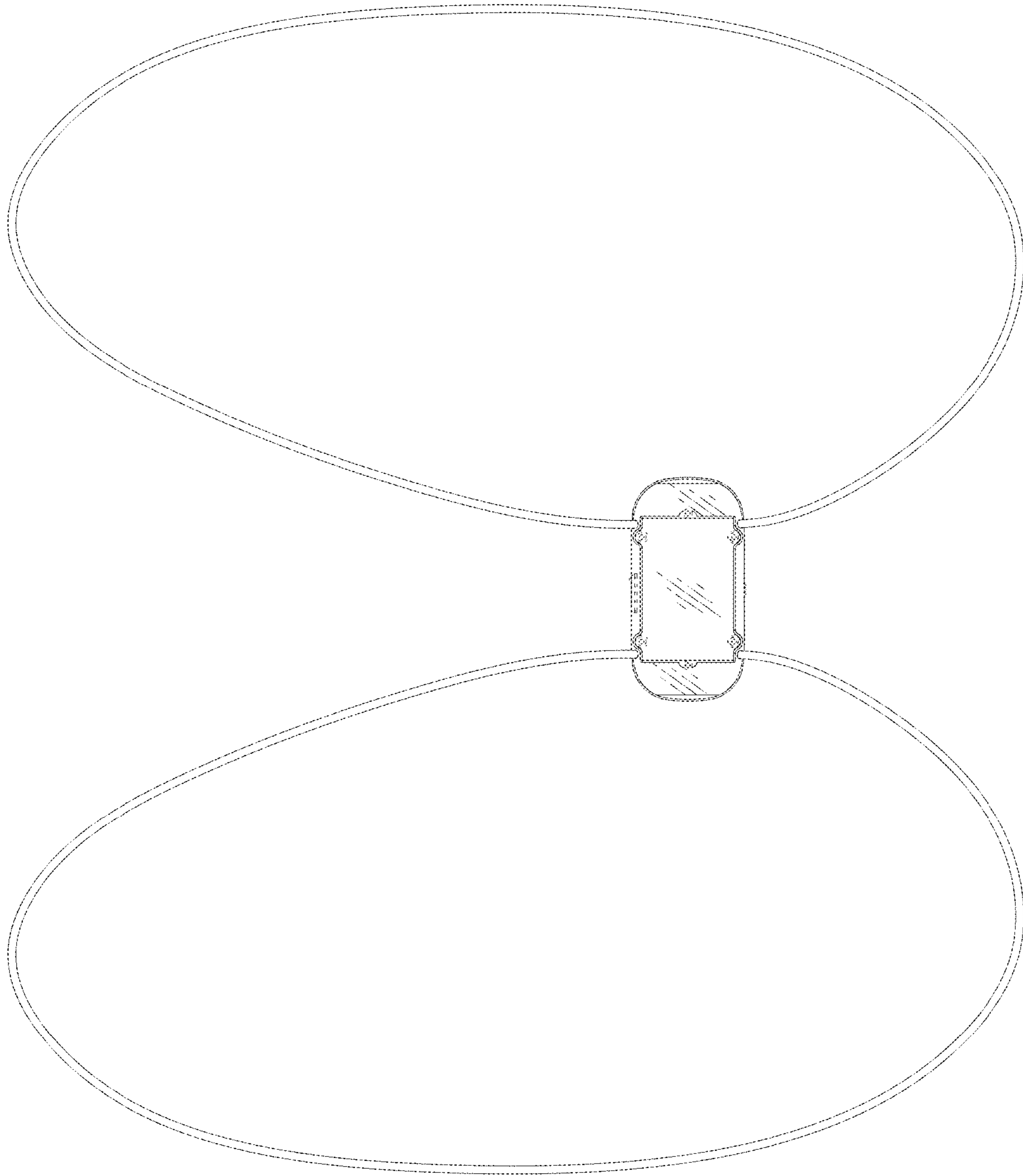


FIG. 3

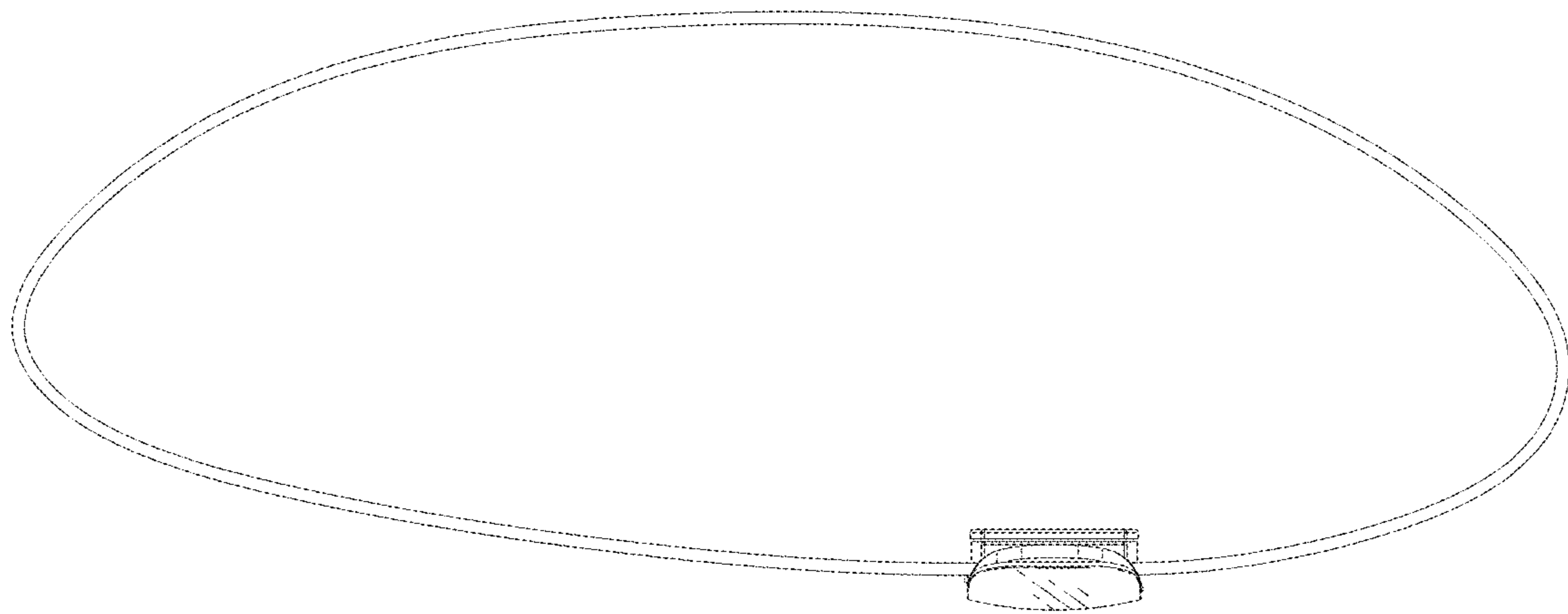


FIG. 4

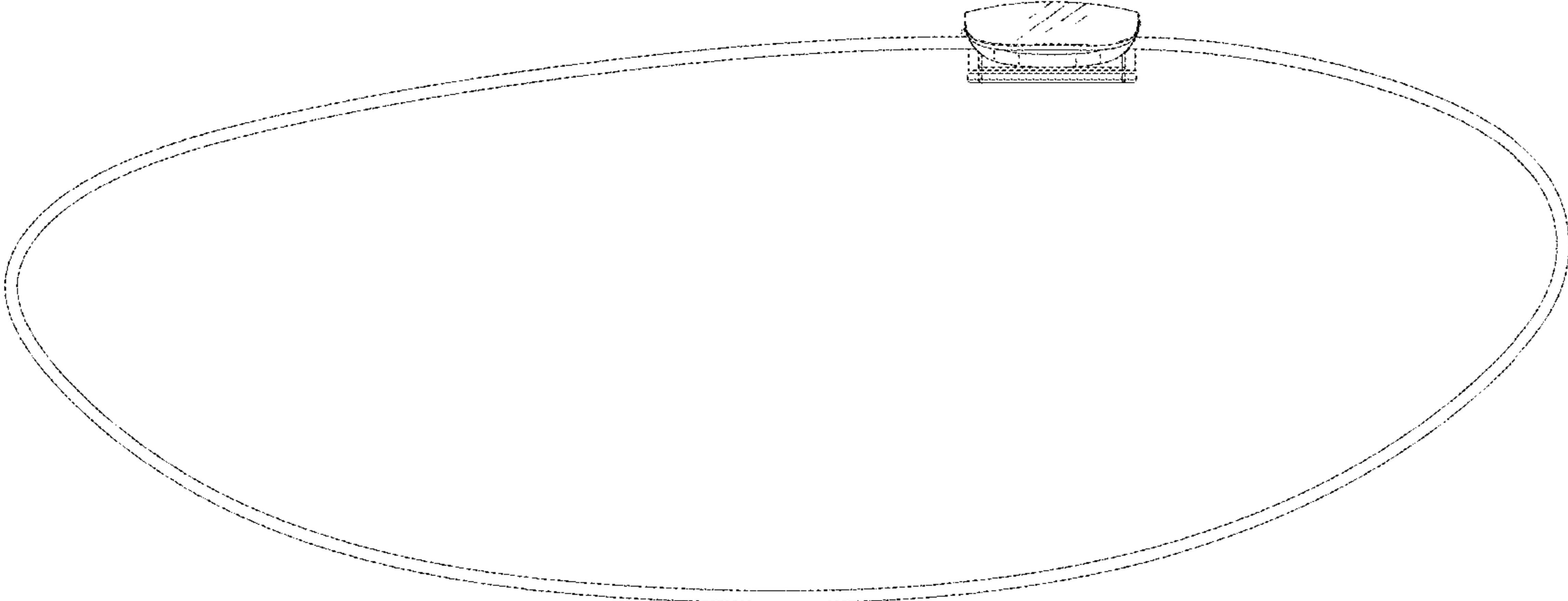


FIG. 5

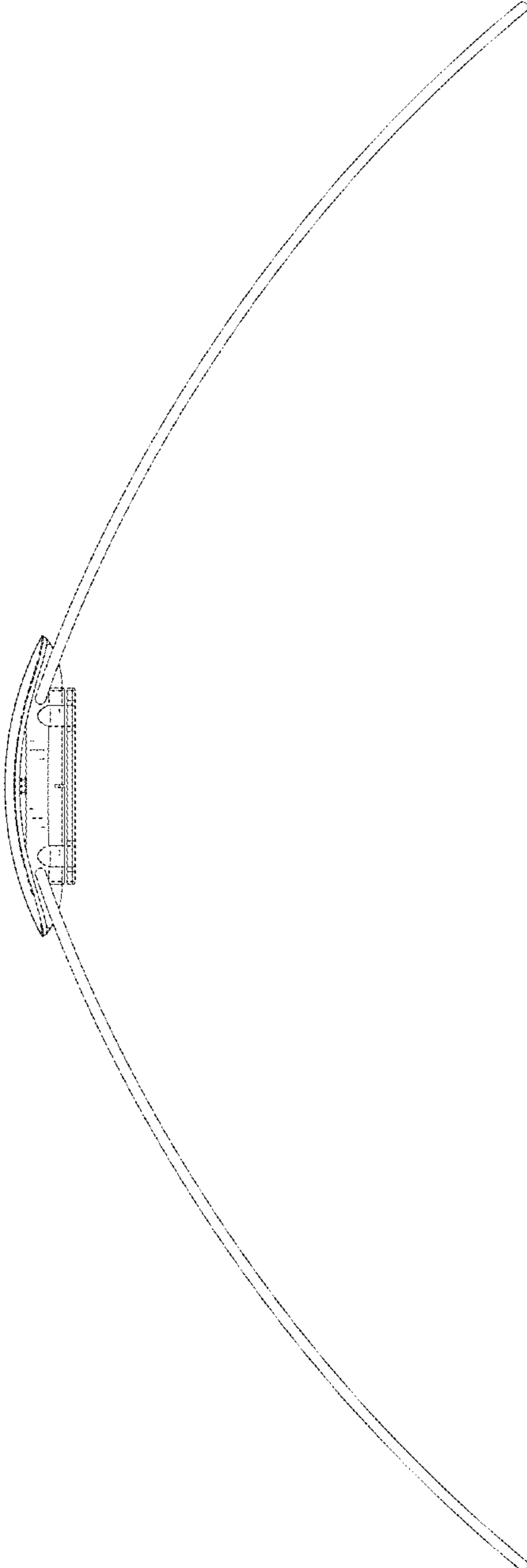


FIG. 6

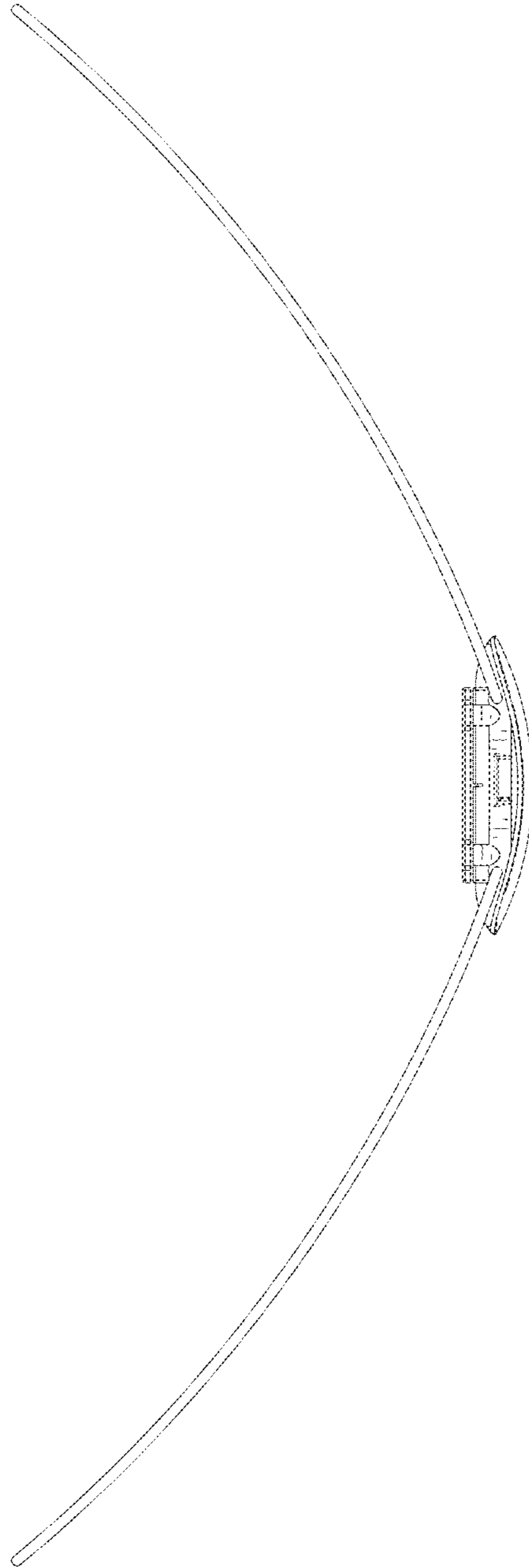


FIG. 7